

IRRI-GATOR® REPAIR PARTS



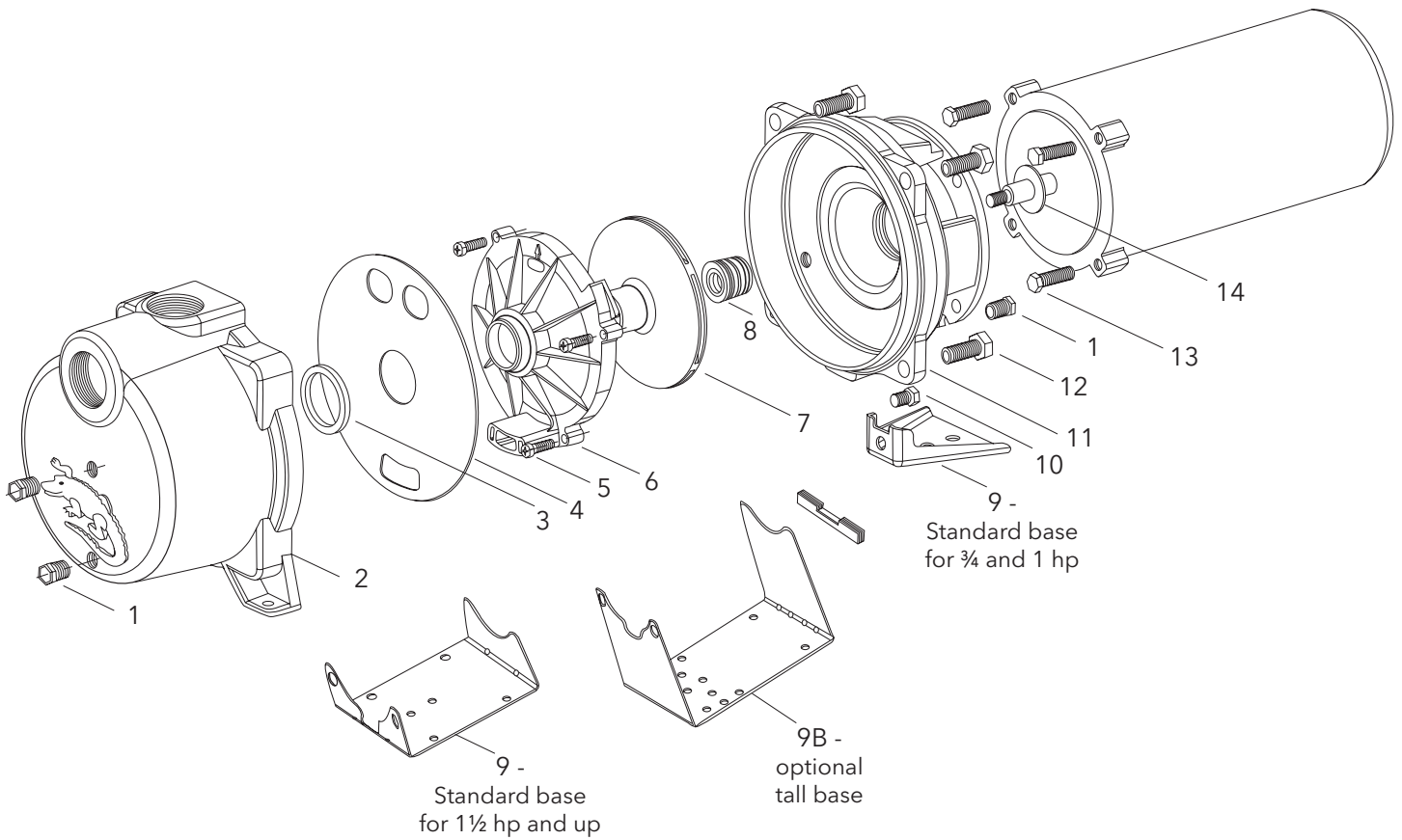
Item No.	Description	Material	Part No.				
			GT07/ GT073	GT10/ GT103	GT15/ GT153	GT20/ GT203	GT30/ GT303
1	¼" NPT Pipe Plug	Plated Steel	6K2				
2	Casing	Cast Iron	1K324				
3	Guidevane Seal Ring	Buna	5K6				
4	Diaphragm	Neoprene	5K522				
5	Fillister Head Machine Screw	Stainless Steel	13K4	13K4	13K2	13K2	13K2
6	Guidevane	Engineered Composite	3K72	3K71	3K70	3K70	3K69
7	Impeller	Engineered Composite	2K715	2K716	2K714	2K713	2K712
		Silicon Brass	2K1262	2K1263	2K1264	2K1265	2K1266
8	Mechanical Seal	Carbon/Ceramic/Buna	10K121				
9	Pump Foot (old style)	Steel	4K408		15K60		
9B	Tall Pump Base with Rubber Channel Replaces 15K60 or 4K408	Steel	15K86				
10	Pump Foot Bolt use with 4K408 only	Steel	13K252				
11	Motor Adapter	Cast Iron	1K310				
12	Casing Bolt	Steel	13K102 (4 required)				
13	Motor Adapter Bolt	Steel	13K69				
14	Deflector	Buna	5K7				

NOTE: Pump models with "B" suffix use Silicon brass impellers. Noryl and Silicon brass impeller materials are interchangeable. Hydraulic performance will not be affected with either impeller material.

Note: 10K121 and 10K10 are interchangeable.

HP	Motor Codes			
	1Ø - ODP	3Ø - ODP	1Ø - TEFC	3Ø - TEFC
.75	J05853NR	C05873	C06821	C06876
1.0	J06853NR	C06873	C07821	C07876
1.5	J07858NR	C07878	C08821	C08876
2.0	J08854NR	C08874	C09821	C09876
3.0	J09853NR	C09874	C09821	C09876

NOTE: Many TEFC motors have a 1.0 Service Factor, while ODP motors have NEMA Service Factors between 1.15 and 1.6. Therefore, the motor hp will be higher for TEFC models than ODP models. Ex. A GT15 has a 1.5 hp, ODP motor with a 1.3 S.F., the GT153 will require a 2 hp TEFC motor which has a 1.0 S.F. The price book shows the actual hp motor used on each model while this chart shows only motor order numbers.



Xylem Inc.

2881 East Bayard Street Ext., Suite A, Seneca Falls, NY 13148

Phone: (866) 325-4210 Fax: (888) 322-5877

www.xylem.com/gouldswatertechnology



Goulds is a registered trademark of Goulds Pumps, Inc. and is used under license.

Noryl and Lexan are registered trademarks of GE Plastic.

© 2018 Xylem Inc. RGATOR R6 September 2018