

Part No.	Part Name	Pattern No.	
① 1K201	Casing (4 bolt S.W.A.)	59160	
1K204	Intermediate stage	59157	
1K206	Motor adapter	59156	
2K289	Impeller - ¾ and 1½ HP HSJ models		
2K290	Impeller - 1 and 2 HP HSJ models		
4K62	Adapter - shallow well (4 bolt)	55548	
4K308	Foot - old style (cast)		
4K327	Wear ring		
② 4K328	Sleeve		
② 4K329	Coverplate - 1 per stage		
4K331	Shaft extension - 2 stage, ¾ and 1 HP		
4K332	Shaft extension - 3 stage, 1½ and 2 HP		
4K376	Foot - (stamped)		
15K60	Pump Base Assembly with Rubber Channel Replaces foot 4K408		
4K379	Retainer - shaft sleeve assembly		
5K7	Deflector		
5K549	O-ring - motor adapter bolts		
5K108	Gasket - S.W. adapter (4 bolt)		
5K178	O-ring - casing and intermediate stage		
6K1	Pipe plug ⅝" NPT		
6K2	Pipe plug ¼" NPT		
6K24	Switch connector with nut		
6K25	Comp. fitting ⅝" NPT x ¼" tubing		
6K36	Comp. fitting elbow ⅝" NPT x ¼" tubing		
6K45	Reducing bushing ¼" x 1" NPT		
6K68	Pipe plug ½" NPT		
6K94	Elbow fitting (tubing)		
6K102	Tubing		
10K258	Shaft seal assembly		
13K43	Impeller bolt		
13K71	Bolt - foot to adapter (old foot)		
13K81	Bolt - adapter to motor		
13K1	Bolt - S.W. adapter (4 bolt)		
13K212	Washer - impeller and adapter		
13K213	Bolt - casing to adapter, 2 stage models		
13K214	Bolt - casing to adapter, 3 stage models		
13K252	Bolt - foot to adapter		

Part No.	Part Name	Pattern No.
AG2	Pressure gauge - 200 PSI maximum	
AG5	Pressure gauge - 100 PSI maximum	
AS4	Pressure switch - ¾, 1, 1½ HP rated	
AS10	Pressure switch - 2 HP rated	
AV22	Pressure control valve	
AA8-7	Air volume control valve - used with galvanized tanks	

MOTOR CODES

HP	Model	Order No.
¾	HSJ07N, 2 stage	J05853R
1	HSJ10N, 2 stage	J06853R
1½	HSJ15N, 3 stage	J07858R
2	HSJ20N, 3 stage	J08854R

SHALLOW WELL FITTINGS PACKAGES

HP	Model	Nozzle Group	Diffuser Group
¾	HSJ07N	AN012	AD3432
1	HSJ10N	AN012	AD3437
1½	HSJ15N	AN012	AD3439
2	HSJ20N	AN012	AD3448

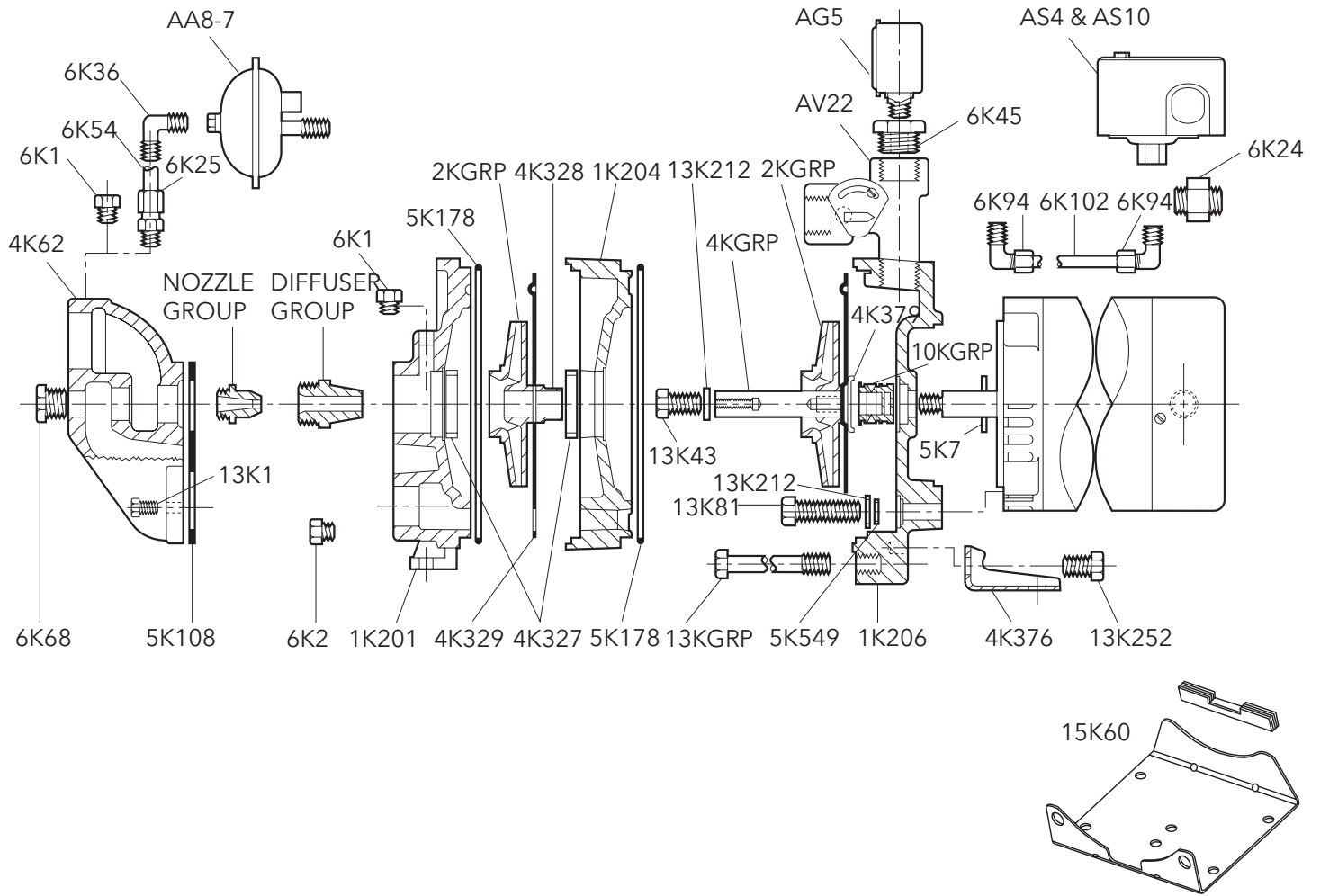
2 BOLT SHALLOW WELL ADAPTER - OBSOLETE (NOT AVAILABLE)

4K312	Adapter - shallow well (2 bolt)
5K173	Gasket - shallow well adapter (2 bolt)
13K1	Bolt - shallow well adapter (2 bolt)

① Casing for 2 bolt shallow well adapter not available. Order 1K261 kit which includes pump casing, 4 bolt adapter, gasket and bolts.

② Includes 4K379, 13K43 and 13K212.





Xylem Inc.
www.xylem.com/goulds

Goulds is a registered trademark of Goulds Pumps, Inc. and is used under license.
 © 2020 Xylem Inc. RHSJ R3 May 2020

