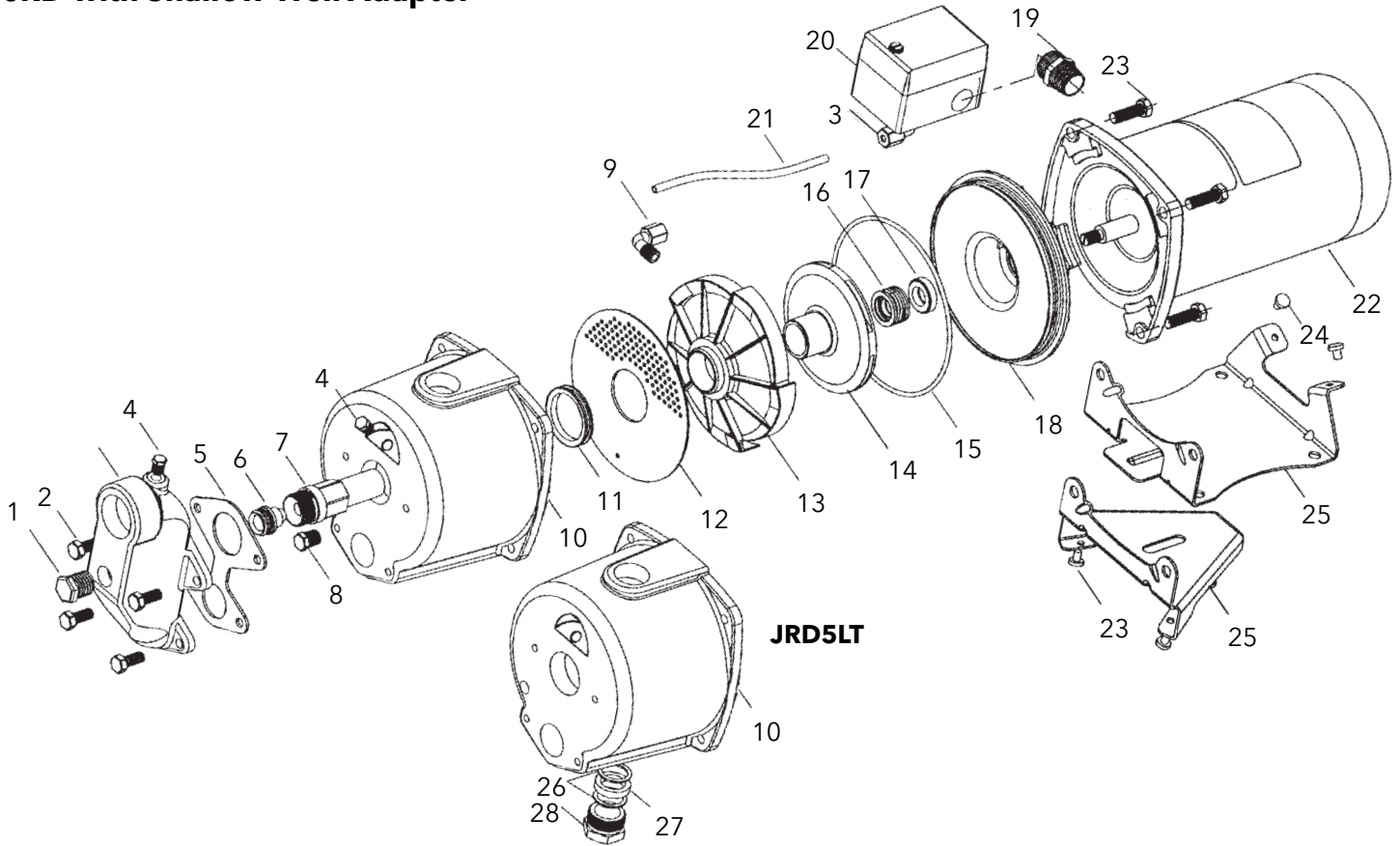


Item No.	Part Description	Material	Repair Part No.			
			JRD5	JRD5LT	JRD7	JRD10
1	Pipe plug ½" NPT	Steel	6K68			
2	Hex cap screw	Steel	13K1			
3	Shallow well adapter	Cast iron	4K62			
4	Pipe plug ⅜" NPT	Steel	6K1			
5	Gasket	BUNA - FDA/NSF	5K108			
6	Nozzle	Delrin®	AN018			
7	Venturi tube	Glass filled engineered composite	AD3731		AD3536	AD3538
8	Drain plug ¼" NPT	Steel	6K2			
9	Elbow connector - tubing	Polypropylene	6K94			
10	Casing	Cast iron	1K416	1K417	1K416	
11	Separator plate seal ring	EPDM	5K556			
12	Separator plate	Polypropylene	5K253			
13	Diffuser (guide vane)	Glass filled engineered composite	3K64	3K65		
14	Impeller	Glass filled engineered composite	2K900	2K901	2K902	
15	O-ring	EPDM	5K392			
16	Mechanical seal - rotary	Teeplelite	10K121			
17	Mechanical seal - stationary	Ceramic				
18	Seal housing	Amodel®	1K366			
19	Connector with locknut	Steel	6K24			
20	Pressure switch	NA	AS4			
21	Tubing - pressure switch	Polypropylene	6K92	6K101	6K108	
22	Motor	Stainless steel shaft	SFJ04860	SFJ05860	SFJ06860	
23	Hex cap screw	Steel	13K80			
24	Grommet - base	BUNA	4K405			
25	Base - JRD5, JRD7, JRD10 (off tank)	Steel	4K399	4K449	4K399	
	Tank base - JRD5LT (on tank)					
26	Discharge gland washers (pkg 2)	N-8090	-	5K10	-	
27	Discharge gland packing	BUNA	-	5K8	-	
28	Dis. gland nut assembly (includes 26 & 27)	Brass	-	4K12	-	

JRD with Shallow Well Adapter



Xylem Inc.
www.xylem.com/goulds

Goulds is a registered trademark of Goulds Pumps, Inc. and is used under license.
© 2020 Xylem Inc. RJRD R3 May 2020

