

REPAIR PARTS

R35-85GS

**35GS, 45GS,
65GS, 85GS** REPAIR PARTS

60 HZ HIGH CAPACITY 4" SUBMERSIBLE PUMPS

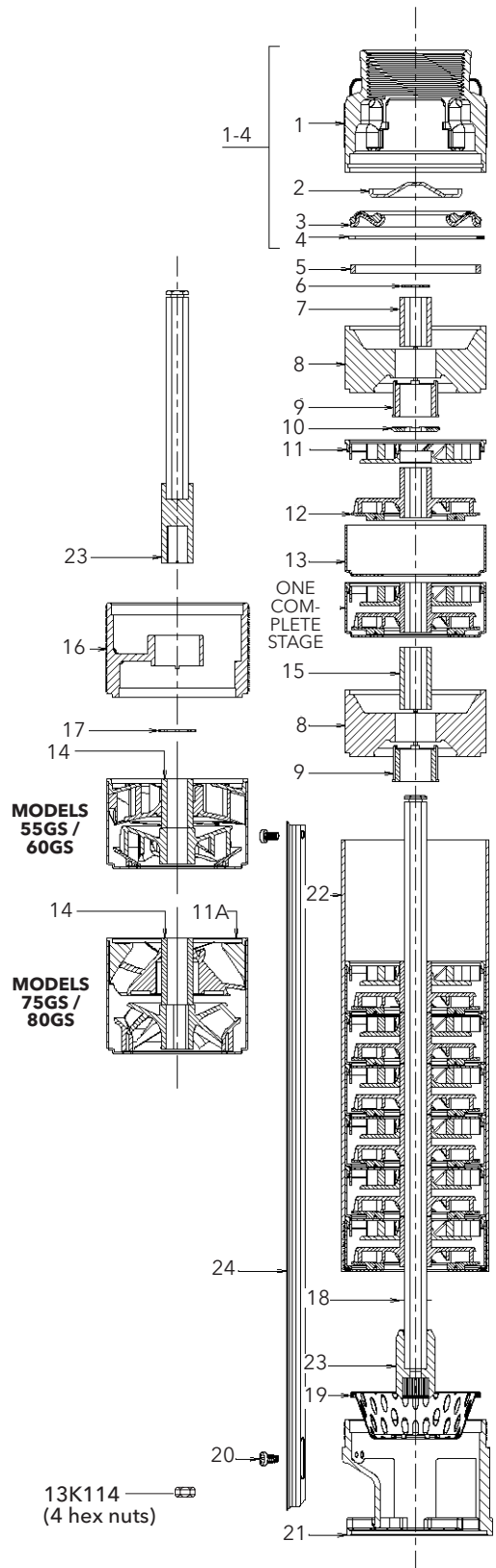


Item No.	Description	Current Models					
		HP	35GS	45GS	65GS	85GS	
	Number of stages	1	6	–	–	–	
		1½	8	5	6	–	
		2	10	7	7	–	
		3	14	10	10	8	
		5	23 ①	17	16 ①	14	
		7½	36 ②	25 ①	26 ②	21 ②	
		10	46 ②	34 ②	33 ②	27 ②	
1 - 4	Discharge head assembly		7K2841	7K2841	7K2841	7K2841	
2	Check valve poppet		7K1366	7K1366	7K1366	7K1366	
3	Check valve seal and seat assembly		7K2123	7K2123	7K2123	7K2123	
4	Check valve retaining ring		7K1364	7K1364	7K1364	7K1364	
5	Adapter ring		7K1597	7K1597	7K1597	7K1597	
6	Shaft retaining ring		7K817	7K817	7K817	7K817	
7	Upper Shaft sleeve		7K1571	7K1571	7K1571	7K1571	
8	Bearing spider (upper & some int.) ①		7K1593	7K1593	7K1593	–	
9	Bearing ① ②		7K2756	7K2756	7K2756	7K2756	
10	Upthrust washer		7K1575	7K1575	7K1575	7K1575	
11	Diffuser		7K3377	7K3377	7K3378	7K3379	
11A	Diffuser/Bearing Assembly		–	–	–	7K2757	
12	Impeller		7K1739	7K3374	7K3375	7K3376	
13	Bowl		7K1584	7K1584	7K1585	7K1586	
14	Diffuser shaft sleeve		–	–	7K1571	7K1573	
15	Intermediate shaft sleeve ①		7K1572	7K1572	7K1572	–	
16	Intermediate bearing spider ②		7K2246	7K2246	7K2246	7K2246	
17	Lower shaft retaining ring ②		7K1629	7K1629	7K1629	7K1629	
18	Shim		7K1574	7K1574	7K1574	7K1574	
19	Stainless steel strainer		7K1370	7K1370	7K1370	7K1370	
20	Cable guard screws		13K91	13K91	13K91	13K91	
21	Motor adapter		7K1363	7K1363	7K1363	7K1363	
22	Casings	1	7K2082	–	–	–	
		1½	7K2912	7K2912	7K3410	–	
		2	7K2888	7K3406	7K3411	–	
		3	7K2022	7K3407	7K3412	7K3418	
		5	7K3401	7K3408	7K3413	7K3419	
		Upper	7½	7K3402	7K3409	7K3414	7K3420
		Lower	7½	7K3403		7K3415	7K3421
		Upper	10	7K3404	7K2983	7K3416	7K3422
Lower	10	7K3405	7K2328	7K3417	7K3423		
23	Shaft and coupling assemblies	1	7K1605	–	–	–	
		1½	7K1606	7K1610	7K3397	–	
		2	7K1768	7K1770	7K3398	–	
		3	7K1631	7K1768	7K3399	7K3400	
		5	7K3392	7K3393	7K3395	7K3396	
		Upper	7½	7K3380	7K3394	7K3382	7K3384
		Lower	7½	7K3386		7K3388	7K3390
		Upper	10	7K3381	7K2269	7K3383	7K3385
Lower	10	7K3387	7K3328	7K3389	7K3391		
24	Cable guards	1	7K2763	–	–	–	
		1½	7K1891	7K2228	7K3100	–	
		2	7K3108	7K3095	7K3101	–	
		3	7K2906	7K3096	7K3102	7K3106	
		5	7K3092	7K3097	7K3103	7K2773	
		7½	7K3093	7K3098	7K3104	7K2765	
		10	7K3094	7K3099	7K3105	7K3107	

① Indicates model with one intermediate bearing spider.

② Indicates model with split cases and shafts.

NOTE: This repair part list is for units which have 2 ears on the discharge head. Previous units with one ear use some different parts. Contact Goulds Water Technology Customer Service for assistance.



Xylem |'zīləm|

- 1) The tissue in plants that brings water upward from the roots;
- 2) a leading global water technology company.

We're a global team unified in a common purpose: creating innovative solutions to meet our world's water needs. Developing new technologies that will improve the way water is used, conserved, and re-used in the future is central to our work. We move, treat, analyze, and return water to the environment, and we help people use water efficiently, in their homes, buildings, factories and farms. In more than 150 countries, we have strong, long-standing relationships with customers who know us for our powerful combination of leading product brands and applications expertise, backed by a legacy of innovation.

For more information on how Xylem can help you, go to www.xyleminc.com



Xylem Inc.
2881 East Bayard Street Ext., Suite A
Seneca Falls, NY 13148
Phone: (866) 325-4210
Fax: (888) 322-5877
www.gouldswatertechnology.com

Goulds is a registered trademark of Goulds Pumps, Inc. and is used under license.
© 2016 Xylem Inc. R35-85GS January 2016