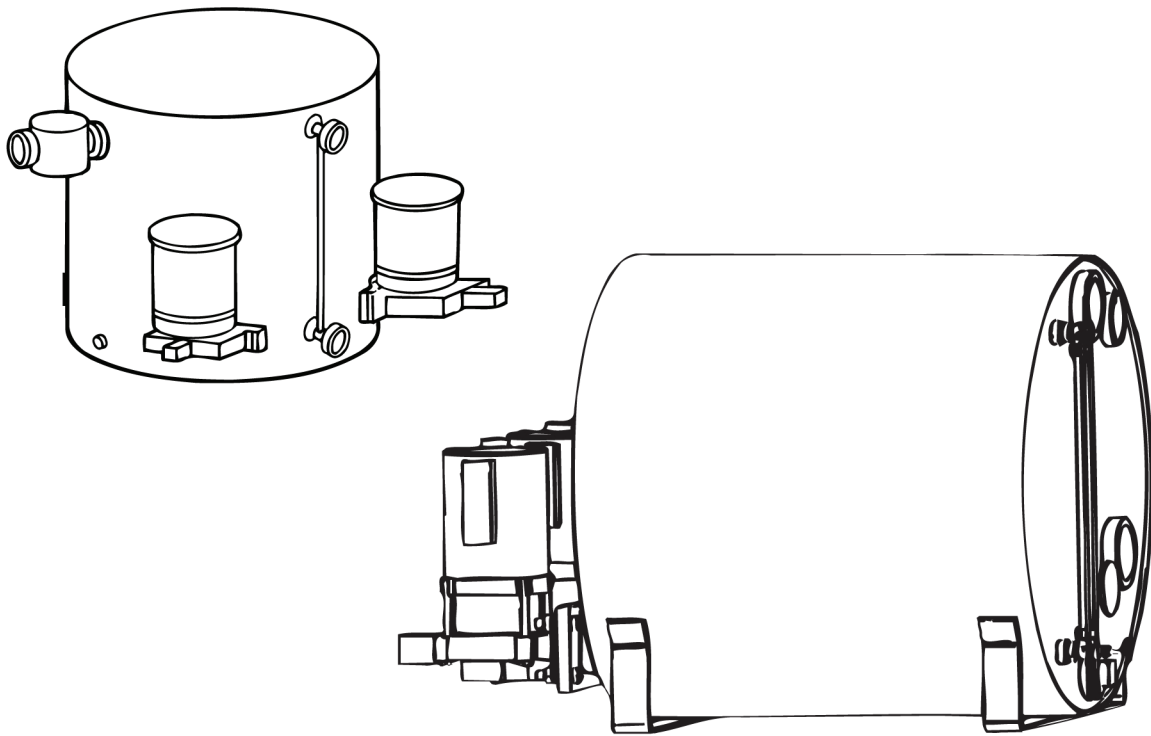


PARTS LIST

DHP-650R2-PL



Hoffman Specialty[®] Series VBF & HBF Boiler Feed Units

REPLACEMENT PARTS



Bell & Gossett

a xylem brand

Index

How to use this Parts List	Page 3
30 VBF (Part number 161024 & 161025)	Page 4
50 VBF (Part number 161001 & 161002)	Page 4
100 VBF (Part number 161003, 161004, & 161005)	Page 4
200 VBF-20 psig discharge (Part number 161026, 161027, & 161028)	Page 5
200 VBF-30 psig discharge (Part number 161006, 161007, & 161008)	Page 5
50 HBF 15 gpm @ 20 psig (Part number 161051 & 161052).....	Page 6
100 HBF 15 gpm @ 20 psig (Part number 161053 & 161054).....	Page 6
100 HBF 20 gpm @ 30 psig (Part number 161055 & 161056).....	Page 7
200 HBF 30 gpm @ 20 psig (Part number 161057 & 161058).....	Page 7
200 HBF 30 gpm @ 30 psig (Part number 161059 & 161060).....	Page 8
200 HBF 40 gpm @ 20 psig (Part number 161061 & 161062).....	Page 8
200 HBF 40 gpm @ 30 psig (Part number 161063 & 161064).....	Page 9
Make up Valve Assembly (Part number DL1634).....	Page 9
180001 Replacement Pump and Motor	Page 10
180027 Replacement Pump and Motor	Page 10
180029 Replacement Pump and Motor	Page 10
161037 Replacement Pump and Motor	Page 10
161038 Replacement Pump and Motor	Page 11
161039 Replacement Pump and Motor	Page 11
View of Typical VBF Unit	Page 12
View of Typical HBF Unit	Page 12
View of 180001	Page 13
View of 180027	Page 13
View of 180029	Page 13
View of 161037	Page 13
View of 161038	Page 13
View of 161039	Page 13
Pump Selection Table for Built to Order Units	Page 14

How to use this PARTS LIST

The nameplate identifies the unit by its model number and capacities are noted. Specific unit information is determined by identifying the model number. Parts information is detailed by Model Number and Product Code Number.

HOFFMAN SPECIALTY®		
SERIES TM		
MODEL		
SERIAL		
GPM	PSI	PUMP
POWER V.	PH.	HZ60
CONTROL V.	PH. 1	HZ60
TOTAL F.L. AMP	LARGEST F.L. AMP	
Bell & Gossett		
DN0019		

The following procedure will result in proper parts selection:

1. Determine from the unit nameplate the unit model number.
2. Refer to the index to identify the appropriate page for parts selection.
3. Using the appropriate referenced drawings, select the parts.

30 VBF

NO. OF PUMPS	SIMPLEX		DUPLEX	
	161024		161025	
PRODUCT CODE	PART #	QTY.	PART #	QTY.
Carton	DC0083	1	DC0083	1
Blind Flange	DF0210	1	not required	not required
Pump Volute to Receiver Gasket	DG0060	2	DG0060	2
Capscrew	P45110	8	P45110	8
Make Up Valve Assembly	DL1634	1	DL1634	1
Pump and Motor Assembly*	180001	1	180001	2
Receiver	DT0680	1	DT0680	1
Gauge Glass Holders	DV0343	1	DV0343	1
Gauge Glass	DV0353	1	DV0353	1
Guard Rod	DV0383	2	DV0383	2
Nut	F11400	8	F11400	8
Plug	H47900	1	H47900	1

50 VBF

NO. OF PUMPS	SIMPLEX		DUPLEX	
	161001		161002	
PRODUCT CODE	PART #	QTY.	PART #	QTY.
Carton	DC0019	1	DC0019	1
Blind Flange	DF0210	1	not required	not required
Pump Volute to Receiver Gasket	DG0060	2	DG0060	2
Capscrew	P45110	8	P45110	8
Make Up Valve Assembly	DL1634	1	DL1634	1
Pump and Motor Assembly*	180001	1	180001	2
Receiver	DT0420	1	DT0420	1
Gauge Glass Holders	DV0343	1	DV0343	1
Gauge Glass	DV0359	1	DV0359	1
Guard Rod	DV0385	2	DV0385	2
Nut	F11400	8	F11400	8
Plug	H47900	1	H47900	1

100 VBF

NO. OF PUMPS	SIMPLEX		DUPLEX		TRIPLEX	
	161003		161004		161005	
PRODUCT CODE	PART #	QTY.	PART #	QTY.	PART #	QTY.
Blind Flange	DF0210	2	DF0210	1	not required	not required
Pump Volute to Receiver Gasket	DG0060	3	DG0060	3	DG0060	3
Capscrew	P45110	12	P45110	12	P45110	12
Make Up Valve Assembly	DL1634	1	DL1634	1	DL1634	1
Pump and Motor Assembly*	180001	1	180001	2	180001	3
Receiver	DT0421	1	DT0421	1	DT0421	1
Gauge Glass Holders	DV0343	1	DV0343	1	DV0343	1
Gauge Glass	DV0361	1	DV0361	1	DV0361	1
Guard Rod	DV0387	2	DV0387	2	DV0387	2
Nut	F11400	12	F11400	12	F11400	12
Plug	H47900	1	H47900	1	H47900	1

*Refer to page 10 for Pump and Motor Parts detail.

200 VBF (20 psig Discharge)

NO. OF PUMPS	SIMPLEX		DUPLEX		TRIPLEX (Obsolete 1986)	
PRODUCT CODE	161026		161027		161028	
DESCRIPTION	PART #	QTY.	PART #	QTY.	PART #	QTY.
Blind Flange	DF0210	2	DF0210	1	not required	not required
Pump Volute to Receiver Gasket	DG0060	3	DG0060	3	DG0060	3
Capscrew	P45110	12	P45110	12	P45110	12
Make Up Valve Assembly	DL1634	1	DL1634	1	DL1634	1
Pump and Motor Assembly*	180029	1	180029	2	180029	3
Receiver	DT0422	1	DT0422	1	DT0422	1
Gauge Glass Holders	DV0343	1	DV0343	1	DV0343	1
Gauge Glass	DV0364	1	DV0364	1	DV0364	1
Guard Rod	DV0388	2	DV0388	2	DV0388	2
Connector	DF0506	1	DF0506	1	DF0506	1
Tubing	X42104	1	X42104	1	X42104	1
Nut	F11400	12	F11400	12	F11400	12
Plug	H47900	1	H47900	1	H47900	1

200 VBF (30 psig Discharge)

NO. OF PUMPS	SIMPLEX		DUPLEX		TRIPLEX (Obsolete 1986)	
PRODUCT CODE	161006		161007		161008	
DESCRIPTION	PART #	QTY.	PART #	QTY.	PART #	QTY.
Blind Flange	DF0210	2	DF0210	1	not required	not required
Pump Volute to Receiver Gasket	DG0060	3	DG0060	3	DG0060	3
Capscrew	P45110	12	P45110	12	P45110	12
Make Up Valve Assembly	DL1634	1	DL1634	1	DL1634	1
Pump and Motor Assembly*	180027	1	180027	2	180027	3
Receiver	DT0422	1	DT0422	1	DT0422	1
Gauge Glass Holders	DV0343	1	DV0343	1	DV0343	1
Gauge Glass	DV0364	1	DV0364	1	DV0364	1
Guard Rod	DV0388	2	DV0388	2	DV0388	2
Connector	DF0506	1	DF0506	1	DF0506	1
Tubing	X42104	1	X42104	1	X42104	1
Nut	F11400	12	F11400	12	F11400	12
Plug	H47900	1	H47900	1	H47900	1

*Refer to page 10 for Pump and Motor Parts detail.

50 HBF (15 gpm @ 20 psig)

NO. OF PUMPS	SIMPLEX		DUPLEX	
	161051		161052	
PRODUCT CODE	PART #	QTY.	PART #	QTY.
Receiver (50 gal., 24" x 24")	DT0796	1	DT0796	1
Pump Volute to Receiver Gasket	DG0060	2	DG0060	2
Gauge Glass Holders	DV0343	1	DV0343	1
Gauge Glass	DV0354	1	DV0354	1
Guard Rod	DV0385	2	DV0385	2
Make Up Valve Assembly	DL1634	1	DL1634	1
Capscrew	P45110	8	P45110	8
Blind Flange	DF0210	1	not required	not required
Plug	P39040	1	P39040	1
Plug	H47900	1	H47900	1
Inlet Basket Strainer (Optional)	DA0181	1	DA0181	1
Dial Thermometer (Optional)	DA0101	1	DA0101	1
Suction Butterfly Valve Assembly (Optional)	DV0094	1	DV0094	2
Inlet "Y" Strainer (Optional)	DA0037	1	DA0037	1
Discharge Pressure Gauge (Optional)	DA0113	1	DA0113	2
Plug	J89138	1	J89138	1
Pump and Motor Assembly*	180001	1	180001	2

100 HBF (15 gpm @ 20 psig)

NO. OF PUMPS	SIMPLEX		DUPLEX	
	161053		161054	
PRODUCT CODE	PART #	QTY.	PART #	QTY.
Receiver (100 gal., 30" x 36")	DT0797	1	DT0797	1
Pump Volute to Receiver Gasket	DG0060	2	DG0060	2
Gauge Glass Holders	DV0343	1	DV0343	1
Gauge Glass	DV0358	1	DV0358	1
Guard Rod	DV0385	2	DV0385	2
Make Up Valve Assembly	DL1634	1	DL1634	1
Capscrew	P45110	8	P45110	8
Blind Flange	DF0210	1	not required	not required
Plug	P39040	1	P39040	1
Plug	H47900	1	H47900	1
Inlet Basket Strainer (Optional)	DA0182	1	DA0182	1
Dial Thermometer (Optional)	DA0101	1	DA0101	1
Suction Butterfly Valve Assembly (Optional)	DV0094	1	DV0094	2
Inlet "Y" Strainer (Optional)	DA0038	1	DA0038	1
Discharge Pressure Gauge (Optional)	DA0113	1	DA0113	2
Plug	J89138	1	J89138	1
Pump and Motor Assembly*	180001	1	180001	2

*Refer to page 10 for Pump and Motor Parts detail.

100 HBF (20 gpm @ 30 psig)

NO. OF PUMPS	SIMPLEX		DUPLEX	
	161055		161056	
PRODUCT CODE	PART #	QTY.	PART #	QTY.
Receiver (100 gal., 30" x 36")	DT0797	1	DT0797	1
Pump Volute to Receiver Gasket	DG0060	2	DG0060	2
Gauge Glass Holders	DV0343	1	DV0343	1
Gauge Glass	DV0358	1	DV0358	1
Guard Rod	DV0385	2	DV0385	2
Make Up Valve Assembly	DL1634	1	DL1634	1
Capscrew	P45110	8	P45110	8
Blind Flange	DF0210	1	not required	not required
Plug	P39040	1	P39040	1
Plug	H47900	1	H47900	1
Inlet Basket Strainer (Optional)	DA0182	1	DA0182	1
Dial Thermometer (Optional)	DA0101	1	DA0101	1
Suction Butterfly Valve Assembly (Optional)	DV0094	1	DV0094	2
Inlet "Y" Strainer (Optional)	DA0038	1	DA0038	1
Discharge Pressure Gauge (Optional)	DA0113	1	DA0113	2
Plug	J89138	1	J89138	1
Pump and Motor Assembly*	161037	1	161037	2

200 HBF (30 gpm @ 20 psig)

NO. OF PUMPS	SIMPLEX		DUPLEX	
	161057		161058	
PRODUCT CODE	PART #	QTY.	PART #	QTY.
Receiver (200 gal., 30" x 72")	DT0798	1	DT0798	1
Pump Volute to Receiver Gasket	DG0060	2	DG0060	2
Gauge Glass Holders	DV0343	1	DV0343	1
Gauge Glass	DV0358	1	DV0358	1
Guard Rod	DV0385	2	DV0385	2
Make Up Valve Assembly	DL1634	1	DL1634	1
Capscrew	P45110	8	P45110	8
Blind Flange	DF0210	1	not required	not required
Plug	P39040	1	P39040	1
Plug	H47900	1	H47900	1
Inlet Basket Strainer (Optional)	DA0182	1	DA0182	1
Dial Thermometer (Optional)	DA0101	1	DA0101	1
Suction Butterfly Valve Assembly (Optional)	DV0094	1	DV0094	2
Inlet "Y" Strainer (Optional)	DA0038	1	DA0038	1
Discharge Pressure Gauge (Optional)	DA0113	1	DA0113	2
Plug	J89138	1	J89138	1
Pump and Motor Assembly*	180029	1	180029	2

*Refer to page 10 for Pump and Motor Parts detail.

200 HBF (30 gpm @ 30 psig)

NO. OF PUMPS	SIMPLEX		DUPLEX	
	161059		161060	
PRODUCT CODE	PART #	QTY.	PART #	QTY.
Receiver (200 gal., 30" x 72")	DT0798	1	DT0798	1
Pump Volute to Receiver Gasket	DG0060	2	DG0060	2
Gauge Glass Holders	DV0343	1	DV0343	1
Gauge Glass	DV0358	1	DV0358	1
Guard Rod	DV0385	2	DV0385	2
Make Up Valve Assembly	DL1634	1	DL1634	1
Capscrew	P45110	8	P45110	8
Blind Flange	DF0210	1	not required	not required
Plug	P39040	1	P39040	1
Plug	H47900	1	H47900	1
Inlet Basket Strainer (Optional)	DA0182	1	DA0182	1
Dial Thermometer (Optional)	DA0101	1	DA0101	1
Suction Butterfly Valve Assembly (Optional)	DV0094	1	DV0094	2
Inlet "Y" Strainer (Optional)	DA0038	1	DA0038	1
Discharge Pressure Gauge (Optional)	DA0113	1	DA0113	2
Plug	J89138	1	J89138	1
Pump and Motor Assembly*	180027	1	180027	2

200 HBF (40 gpm @ 20 psig)

NO. OF PUMPS	SIMPLEX		DUPLEX	
	161061		161062	
PRODUCT CODE	PART #	QTY.	PART #	QTY.
Receiver (200 gal., 30" x 72")	DT0798	1	DT0798	1
Pump Volute to Receiver Gasket	DG0060	2	DG0060	2
Gauge Glass Holders	DV0343	1	DV0343	1
Gauge Glass	DV0358	1	DV0358	1
Guard Rod	DV0385	2	DV0385	2
Make Up Valve Assembly	DL1634	1	DL1634	1
Capscrew	P45110	8	P45110	8
Blind Flange	DF0210	1	not required	not required
Plug	P39040	1	P39040	1
Plug	H47900	1	H47900	1
Inlet Basket Strainer (Optional)	DA0182	1	DA0182	1
Dial Thermometer (Optional)	DA0101	1	DA0101	1
Suction Butterfly Valve Assembly (Optional)	DV0094	1	DV0094	2
Inlet "Y" Strainer (Optional)	DA0038	1	DA0038	1
Discharge Pressure Gauge (Optional)	DA0113	1	DA0113	2
Plug	J89138	1	J89138	1
Pump and Motor Assembly**	161038	1	161038	2

*Refer to page 10 for Pump and Motor Parts detail.

**Refer to page 11 for Pump and Motor Parts detail.

200 HBF (40 gpm @ 30 psig)

NO. OF PUMPS	SIMPLEX		DUPLEX	
	161063		161064	
PRODUCT CODE	PART #	QTY.	PART #	QTY.
Receiver (200 gal., 30" x 72")	DT0798	1	DT0798	1
Pump Volute to Receiver Gasket	DG0060	2	DG0060	2
Gauge Glass Holders	DV0343	1	DV0343	1
Gauge Glass	DV0358	1	DV0358	1
Guard Rod	DV0385	2	DV0385	2
Make Up Valve Assembly	DL1634	1	DL1634	1
Capscrew	P45110	8	P45110	8
Blind Flange	DF0210	1	not required	not required
Plug	P39040	1	P39040	1
Plug	H47900	1	H47900	1
Inlet Basket Strainer (Optional)	DA0182	1	DA0182	1
Dial Thermometer (Optional)	DA0101	1	DA0101	1
Suction Butterfly Valve Assembly (Optional)	DV0094	1	DV0094	2
Inlet "Y" Strainer (Optional)	DA0038	1	DA0038	1
Discharge Pressure Gauge (Optional)	DA0113	1	DA0113	2
Plug	J89138	1	J89138	1
Pump and Motor Assembly*	161039	1	161039	2

DL1634 Make-Up Valve Assembly

DESCRIPTION	PART #	QTY.
Float Valve Only (less float and adapter)	DV1024	1
Float	DA0164	1
2 1/2" Adapter	DL1750	1

*Refer to page 11 for Pump and Motor Parts detail.

180001 Pump and Motor Assembly

ITEM NO.	DESCRIPTION	NO. REQ.	PART NO.
1	Motor 1/3 Hp., 1 Ph, 3500 RPM	1	DM0005
2	Seal Holder	1	DP0290
3	Seal	1	DP0304
4	Impeller	1	DP0321
5	Head Gasket	1	DG0092
6	Volute with Wearing Ring	1	DP1665
7	Capscrew	4	DJ0083
8	Wearing Ring	1	DP0482
9	Pipe Plug 1/4"	1	P39040
10	Wire Spacer	1	DP0291
11	Water Slinger	1	DP0848
	Seal and Gasket Kit	1	180013

*Plug and opening not furnished on units built during 1994 & 1995.

180027, 180029 & 161037 (616PF)

ITEM NO.	DESCRIPTION	QTY.	1/2 - 2 HP
4	Impeller (ref. unit description for proper trim size)	1	DP0336 ¹
3	Motor Bracket	1	DP0208
2	Volute with Wear Ring	1	DP1603
	Motor for 180027	1	DM0055
	Motor for 180029	1	DM0020
	Motor for 161037	1	DM0040
7	Companion Flange		-
11	Seal & Gasket Kit	1	180014
17	Wear Ring	1	DP0482
18	Impeller Washer	1	DJ0267
12	Volute Gasket	1	DG0086
13	Companion Flange Gasket		-
19	Impeller Capscrew	1	DJ0213
41	Water Slinger	1	DP0848
16	Shaft Extension		-
32	Locking Pin		-
33	Impeller Key		-
31	Stop Nut		-
5	Suction Housing		-
14	Suction Housing Gasket		-
42	Shaft Washer		-

Shaded items are Recommended Spare Parts.

¹Specify required impeller diameter when ordering. If diameter is not specified full diameter will be furnished. Impeller diameters: 180027 (4⁷/₁₆"), 180029 (3³/₁₆") & 161037 (4⁵/₁₆").

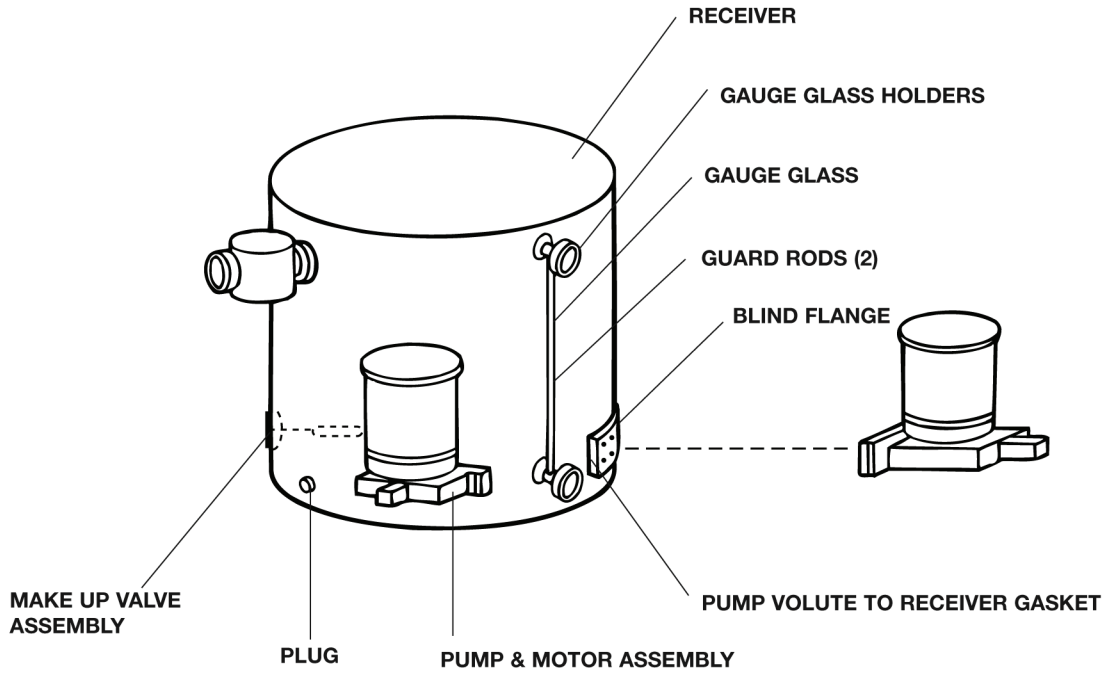
161038 & 161039 (626PF)

ITEM NO.	DESCRIPTION	3/4 - 2 HP
4	Impeller (ref. unit description for proper trim size)	DP0390 ¹
3	Motor Bracket	DP0208
2	Volute with Wear Ring	DP1626
	Motor for 161038	DM0055
	Motor for 161039	DM0070
11	Companion Flange	DF0678
11	Seal & Gasket Kit	180014
17	Wear Ring	DP0483
18	Impeller Washer	DJ0267
12	Volute Gasket	DG0086
13	Companion Flange Gasket	DG0141
19	Impeller Capscrew	DJ0213
41	Water Slinger	DP0848
16	Shaft Extension	-
32	Locking Pin	-
33	Impeller Key	-
31	Stop Nut	-
5	Suction Housing	-
14	Suction Housing Gasket	-
42	Shaft Washer	-

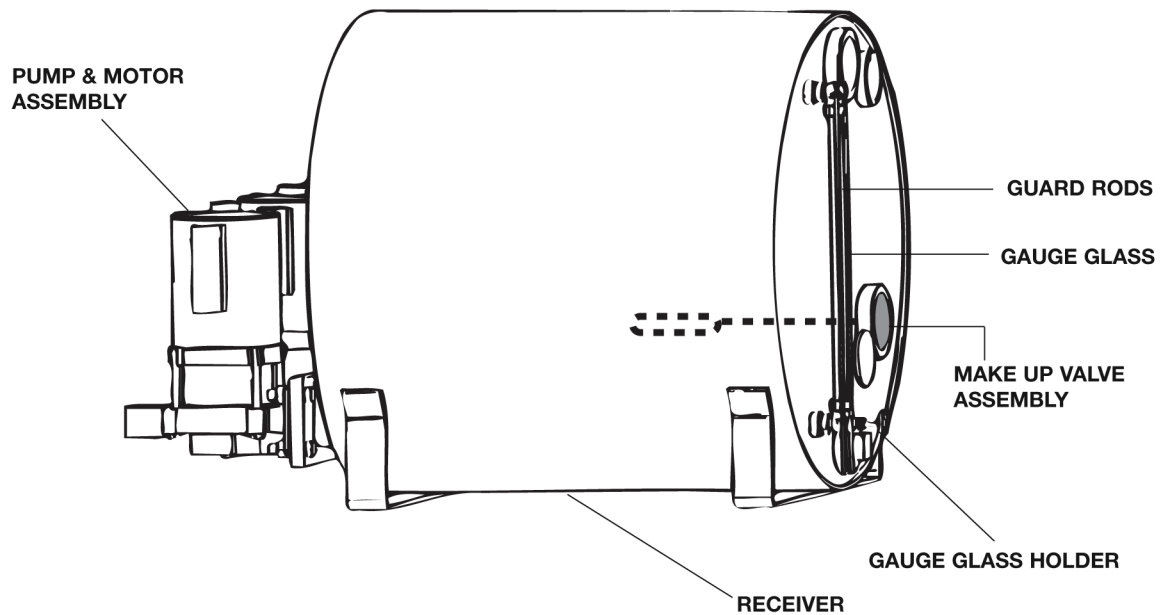
Shaded items are Recommended Spare Parts.

¹Specify required impeller diameter when ordering. If diameter is not specified full diameter will be furnished. Impeller diameters: 161038 (3¹/₂") & 161039 (4³/₁₆").

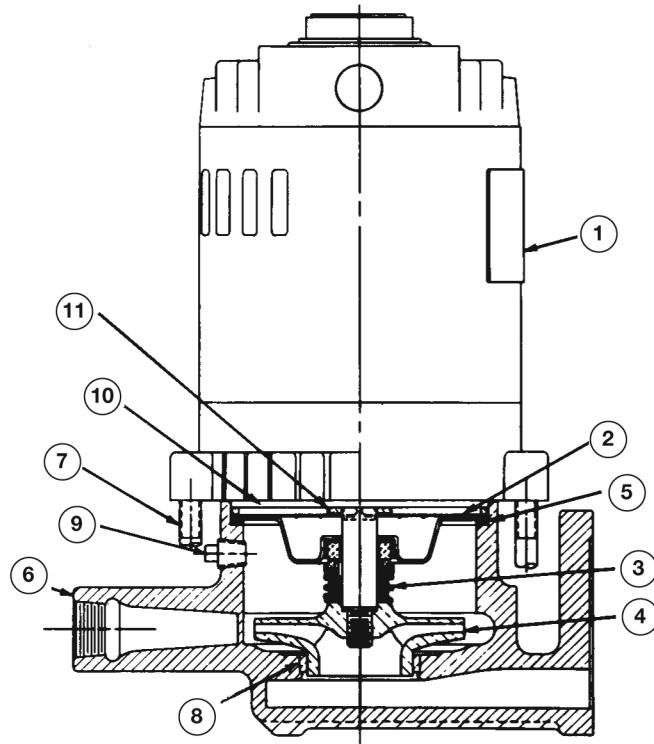
Typical VBF Assembly



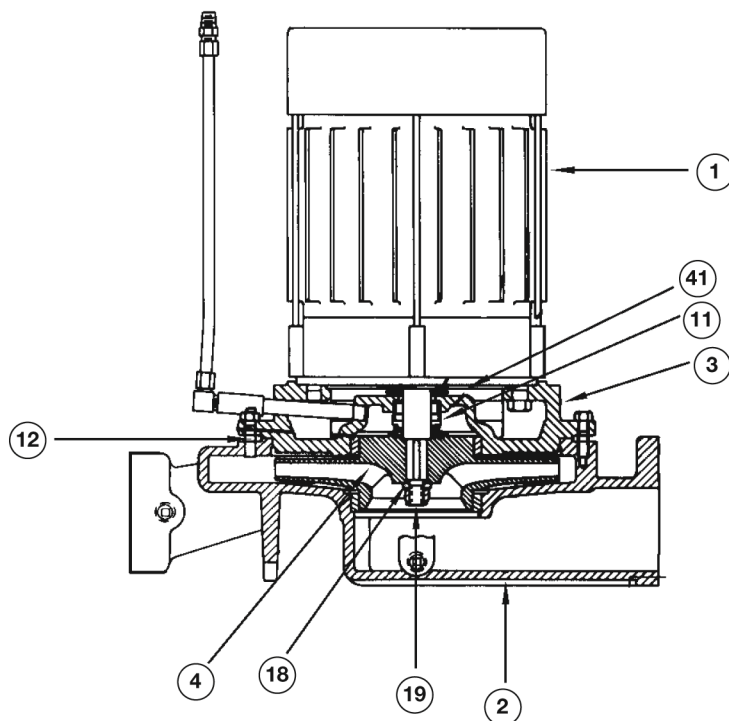
Typical HBF Assembly



180001 Pump and Motor Assembly



180027, 180029, 161037, 161038 & 161039 Pump and Motor Assembly



HBF Unit B-T-O Pump Selections

MODEL NUMBER	GPM	DISCHARGE PSIG	PUMP COMB.	MOTOR HP	MOTOR PART NO.	IMPELLER PART NO.	IMPELLER TRIM.
50HBF (S/D)-0920	9	20	609 PF	1/3	DM0005	DP0321	3 ¹¹ / ₁₆
50HBF (S/D)-0925	9	25	616 PF	1/2	DM0020	DP0336	4 ³ / ₁₆
50HBF (S/D)-0930	9	30	616 PF	3/4	DM0040	DP0336	4 ⁷ / ₁₆
100HBF (S/D)-0920	9	20	609 PF	1/3	DM0005	DP0321	3 ¹¹ / ₁₆
100HBF (S/D)-0925	9	25	616 PF	1/2	DM0020	DP0336	4 ³ / ₁₆
100HBF (S/D)-0930	9	30	616 PF	3/4	DM0040	DP0336	4 ⁷ / ₁₆
100HBF (S/D)-1520*	15	20	609 PF	1/3	DM0005	DP0321	3 ¹¹ / ₁₆
100HBF (S/D)-1525	15	25	616 PF	1/2	DM0020	DP0336	4 ¹ / ₈
100HBF (S/D)-1530	15	30	616 PF	3/4	DM0040	DP0336	4 ⁹ / ₁₆
100HBF (S/D)-2020	20	20	609 PF	1/3	DM0005	DP0321	3 ¹¹ / ₁₆
100HBF (S/D)-2025	20	25	616 PF	3/4	DM0040	DP0336	4
100HBF (S/D)-2030*	20	30	616 PF	3/4	DM0040	DP0336	4 ⁵ / ₁₆
200HBF (S/D)-2520	25	20	616 PF	1/2	DM0020	DP0336	3 ¹¹ / ₁₆
200HBF (S/D)-2525	25	25	616 PF	3/4	DM0040	DP0336	4 ¹ / ₈
200HBF (S/D)-2530	25	30	616 PF	1	DM0055	DP0336	4 ³ / ₈
200HBF (S/D)-3020*	30	20	616 PF	3/4	DM0040	DP0336	3 ¹³ / ₁₆
200HBF (S/D)-3025	30	25	616 PF	3/4	DM0040	DP0336	4 ¹ / ₈
200HBF (S/D)-3030*	30	30	616 PF	1	DM0055	DP0336	4 ⁷ / ₁₆
200HBF (S/D)-4020*	40	20	626 PF	1	DM0055	DP0390	3 ¹ / ₂
200HBF (S/D)-4025	40	25	626 PF	1 1/2	DM0070	DP0390	3 ⁷ / ₈
200HBF (S/D)-4030*	40	30	626 PF	1 1/2	DM0070	DP0390	4 ³ / ₁₆

*Denotes STOCK UNIT capacities. Stock Replacement Pump and Motor Assemblies available. Check appropriate page of parts list for Pump Standard Part Number.

Xylem |'zīləm|

- 1) The tissue in plants that brings water upward from the roots;
- 2) a leading global water technology company.

We're 12,500 people unified in a common purpose: creating innovative solutions to meet our world's water needs. Developing new technologies that will improve the way water is used, conserved, and re-used in the future is central to our work.

We move, treat, analyze, and return water to the environment, and we help people use water efficiently, in their homes, buildings, factories and farms. In more than 150 countries, we have strong, long-standing relationships with customers who know us for our powerful combination of leading product brands and applications expertise, backed by a legacy of innovation.

For more information on how Xylem can help you, go to www.xylem.com



Xylem Inc.
8200 N. Austin Avenue
Morton Grove, Illinois 60053
Phone: (847) 966-3700
Fax: (847) 965-8379
www.xylem.com/brands/bellgossett