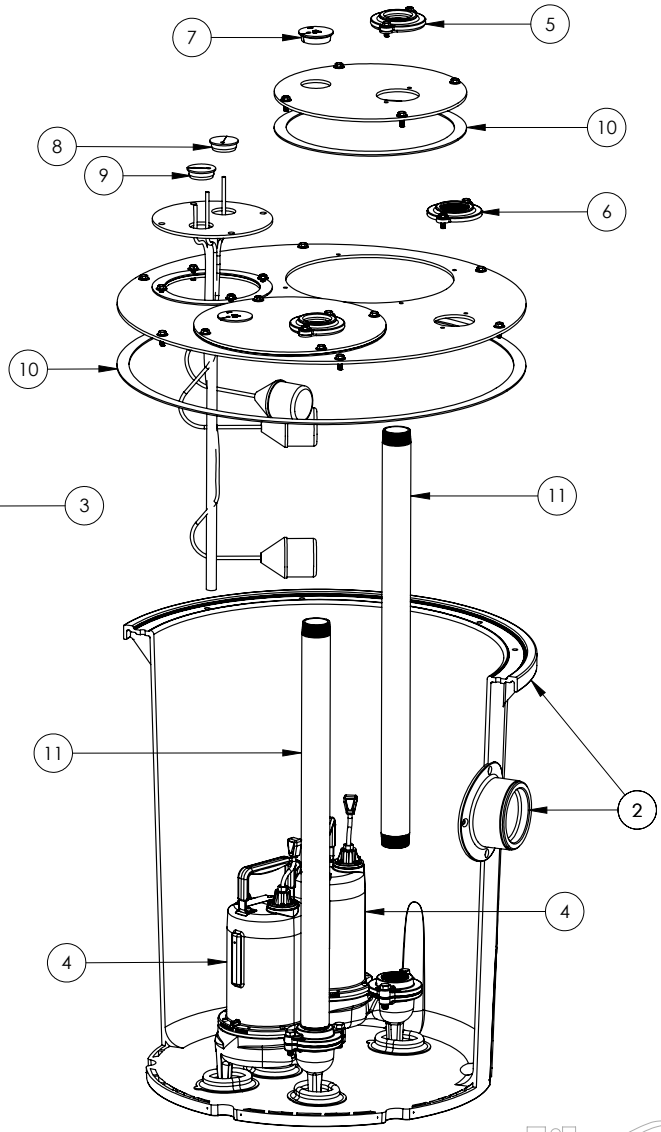
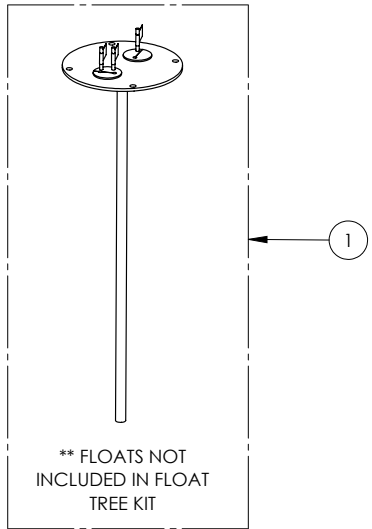
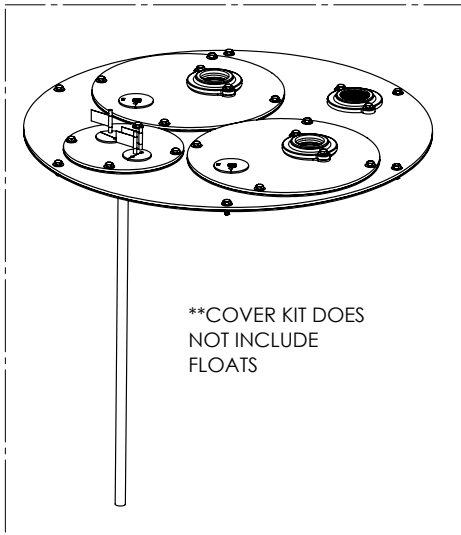


1100 SERIES

1102/LE74M (B10)



**1100 SERIES****1102/LE74M (B10)**

| #  | PART #   | DESCRIPTION  | QTY | Note |
|----|----------|--|-----|------|
| 1  | K001203  | 10" INSPECTION COVER WITH FLOAT TREE (FLOATS NOT INCLUDED) | 1   |      |
| 2  | K001202  | 30" X 36" BASIN, WITH CAST IRON INLET HUB                  | 1   |      |
| 3  | K001200  | 1100 COVER KIT 2" DISCH 2" VENT                            | 1   |      |
| 4  | LE74M2-2 | 3/4 HP SEWAGE PUMP 440-480V 25' POWER CORD                 | 2   |      |
| 5  | K001389  | 2" DISCHARGE FLANGE KIT                                    | 2   |      |
| 6  | K001390  | 2" VENT FLANGE KIT   | 1   |      |
| 7  | 4508000  | 2 1/2" STOPPER - SINGLE 5/16" HOLE                         | 2   |      |
| 8  | 45480A0  | SINGLE HOLE STOPPER  | 1   |      |
| 9  | 45480B0  | 2" DOUBLE HOLE STOPPER                                     | 1   |      |
| 10 | 45220C0  | GASKET TAPE  | 1   |      |
| 11 | 4068000  | NIPPLE 2x36 PVC SCH 80                                     | 2   |      |

---

1102/LE74M (B10)

1102-LE74M (B10-A).PDF

PAGE