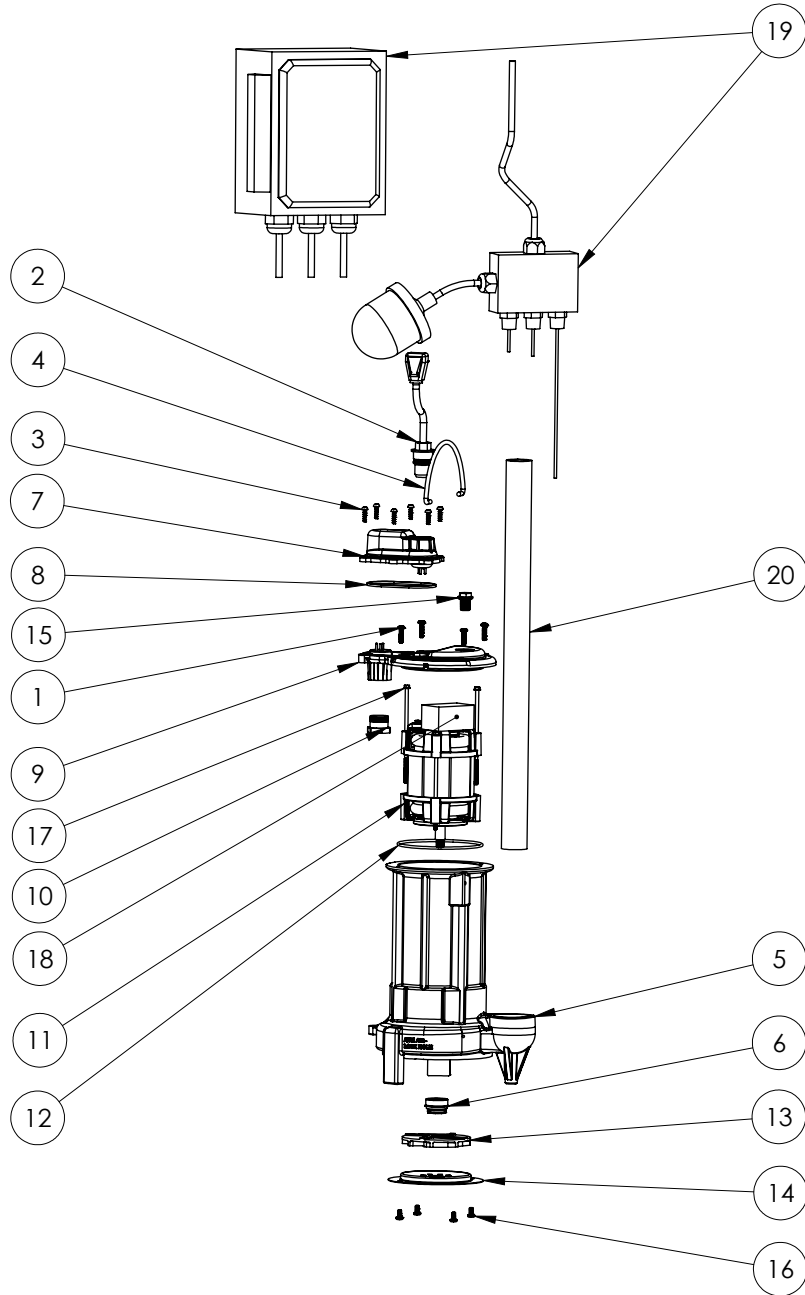


ELV280HV (B10)



ELV280HV

ELV280HV (B10)

#	PART #	DESCRIPTION	QTY	Note
1	8072000	#10 - 24 x 3/4" SCREW#10-24 X 3/4" PH PN SS SCREW	4	
2	51550B0	POWER CORD, 25' 230V	1	
3	8104200	#10 HILO X 5/8" STAINLESS STEEL SCREW#10 HILO x 5/8 STAINLESS STEEL SCREW	6	
4	K001082	HANDLE	1	
5	25162CJ	HOUSINGHOUSING WITH HOLE	1	[1]
6	50980A0	1/2 INCH UNITIZED SEALUNITIZED SHAFT SEAL	1	[1]
7	24070AB	CHAMBER COVERCHAMBER COVER, VALOX	1	[1]
8	K001046	SEALRING, CHAMBER COVER	1	
9	24060AB	MOTOR COVERMOTOR COVER, NYLON	1	[1]
10	8105000	PROTECTIVE CAP	1	
11	2424200	MOTOR, .5HP 230VMOTOR, 2-POLE 60MM 230V	1	[1]
12	2357000	O-RING	1	[1]
13	K001091	280 SERIES IMPELLER KITIMPELLER	1	
14	2414000	280 SERIES STAMPING INLETINLET STAMPING	1	
15	8089000	OIL PLUG, O-RING ASSEMBLY	1	
16	8092000	#10 - 24 x 3/8" SCREW#10-24 X 3/8" PH PN SS SCREW	4	
17	8150000	#8-32 x 4-7/8" SCREW#8-32 X 4.875 SCREWS	2	[1]
18	2455000	CAPACITOR	1	[1]
19	OTC-230	OIL SENSOR SYSTEM, 230V	1	
20	4702R00	PIPE NOT INCLUDED IN ASSEMBLY	1	

PART NOTES:

[1] - Part requires factory authorized service. Contact Liberty Pumps at 1-800-543-2550