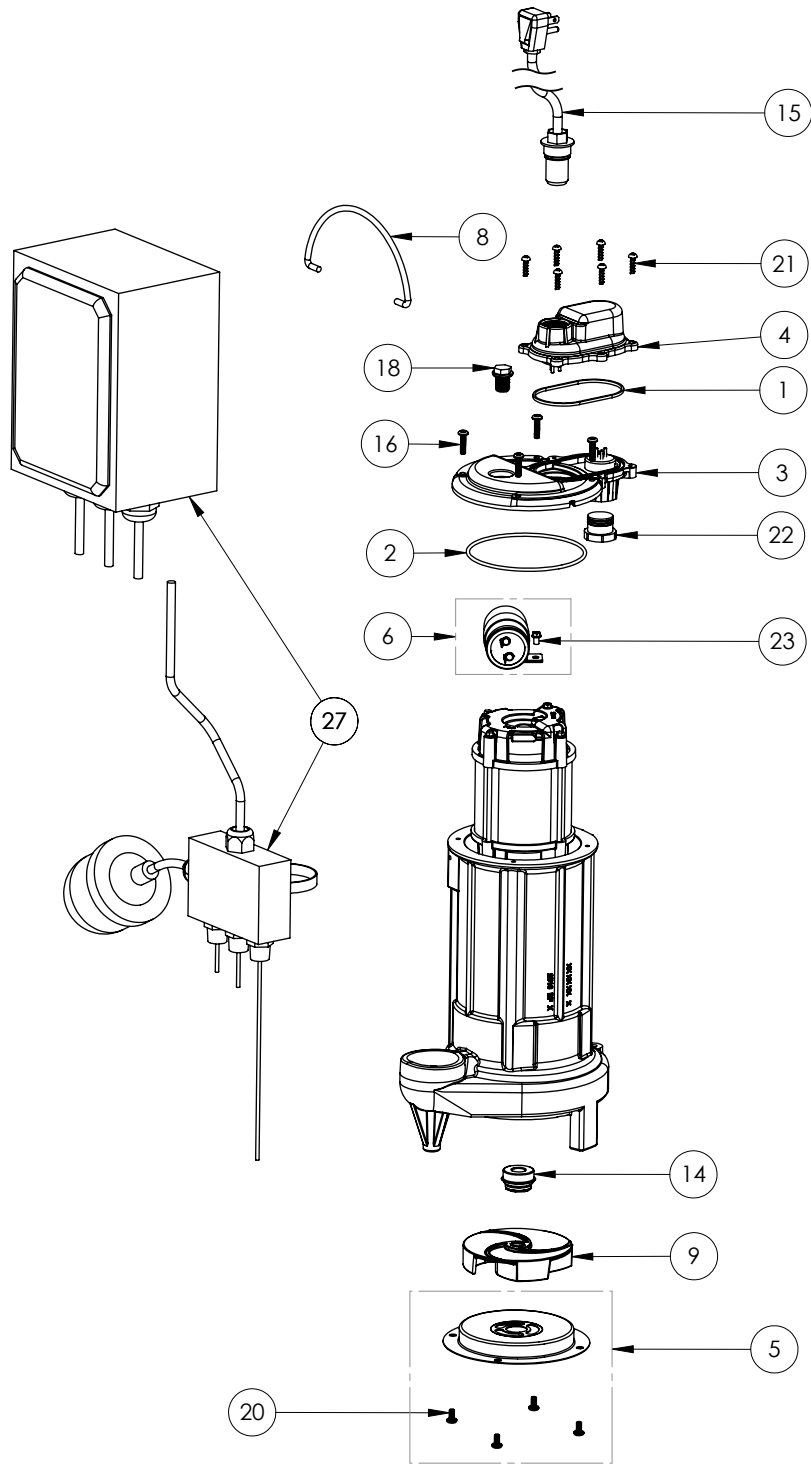


ELV290 (B10)



**ELV290****ELV290 (B10)**

#	PART #	DESCRIPTION	QTY	Note
1	K001046	SEALRING, CHAMBER COVER	1	
2	2357000	O-RING	1	[1]
3	240600B	MOTOR COVER	1	
4	240700B	CHAMBER COVER	1	
5	K001349	290 SERIES STAMPING INLET KIT	1	
6	K001350	CAPACITOR KIT	1	
8	K001082	HANDLE	1	
9	K001351	290 SERIES IMPELLER KIT	1	
14	50980A0	1/2 INCH UNITIZED SEAL	1	[1]
15	K001061	POWER CORD, 115V, 25FT POWER CORD, 25FT. 115V HIGH TEMP	1	
16	8072000	#10 - 24 x 3/4" SCREW	4	
18	8089000	OIL PLUG, O-RING ASSEMBLY	1	
20	8092000	#10 - 24 x 3/8" SCREW	4	
21	8104200	#10 HILO X 5/8" STAINLESS STEEL SCREW	6	
22	8105000	PROTECTIVE CAP	1	
23	8160000	CAPACITOR SCREW	1	
27	OTC-115	OIL SENSOR SYSTEM, 115V	1	

**PART NOTES:**

[1] - Part requires factory authorized service. Contact Liberty Pumps at 1-800-543-2550