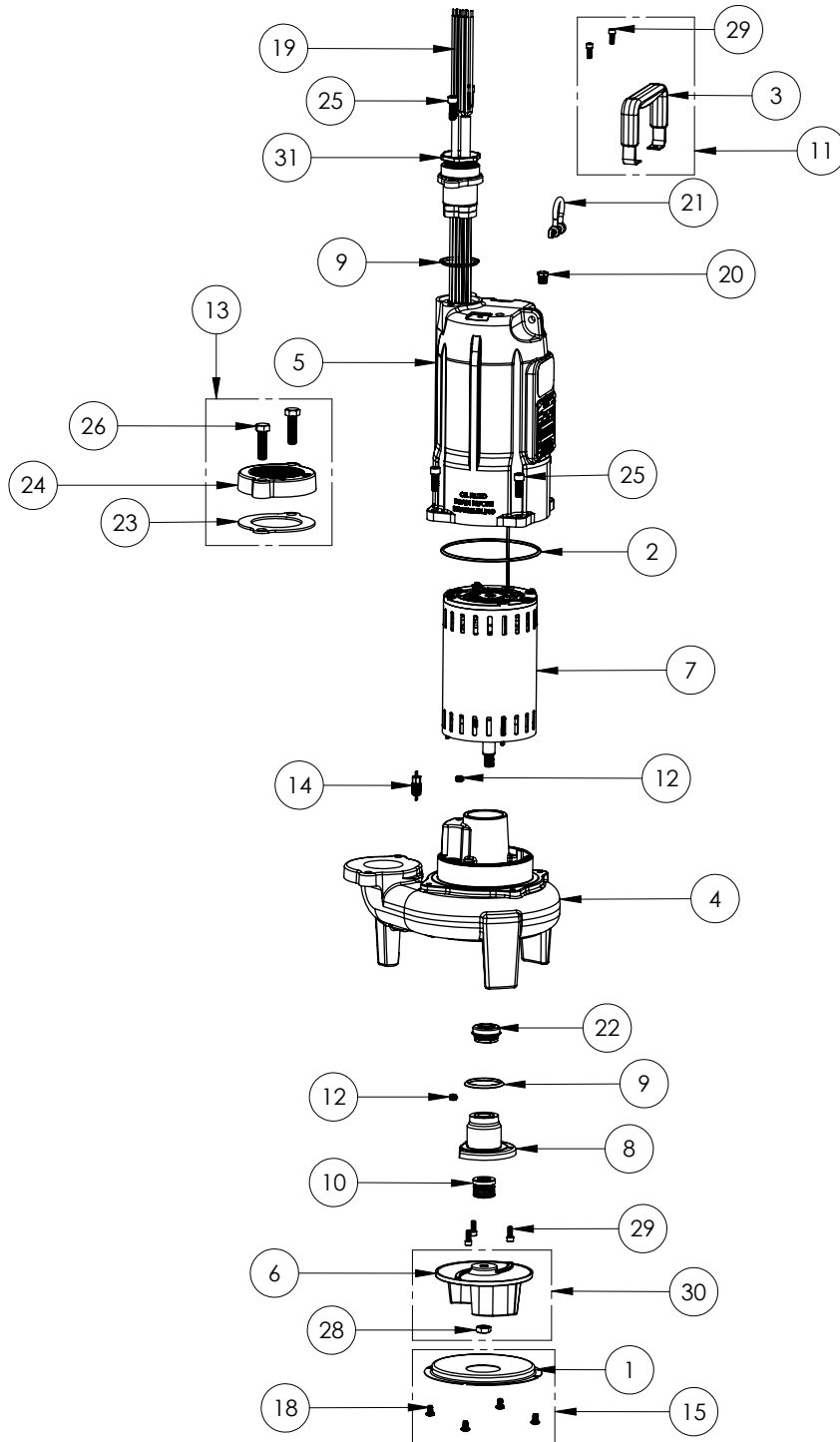


XLE51BM-2

XLE51BM-2 (B90)



XLE51BM-2**XLE51BM-2 (B90)**

#	PART #	DESCRIPTION	QTY	Note
1	3431000	XLE INLET STAMPING	1	
2	3403000	O-RING	1	
3	3411200	HANDLE	1	
4	341400R	LEX VOLUTE, PAINTED	1	[1]
5	341600R	HOUSING XFL/XLE PAINTED	1	[2]
6	34190B0	XLE50 IMPELLER, MACHINED BRONZE	1	
7	34230A0	MOTOR, 4 POLE 1PH 115V 60HZ	1	
8	3427000	SEAL PLATE WITH BUSHING	1	[2]
9	3428000	O-RING ASTM 568A- 226	2	
10	3429000	SEAL TYPE 2100 18MM	1	[2]
11	K001681	HANDLE KIT WITH BOLTS	1	
12	34470A0	1/8" STAINLESS STEEL OIL PLUG 18-8	2	
13	K001222	3" DISCHARGE KIT	1	
15	K001700	XLE INLET PLATE KIT	1	
14	3450000	SEAL FAIL PROBE BODY	1	
18	3470000	1/4-20X7/16 PPHMS 18-8	4	
19	34740D0	CORD CAP 25' WITH JUMPER, 4 CONDUCTOR	1	[2]
28	8046000	1/2-20 HEX STAINLESS STEEL JAM NUT	1	
20	50710A0	PIPE PLUG, 1/4" HEX HD BRASS NPTF	1	
21	K001680	SHACKLE KIT	1	
22	5633000	3/4" UNITIZED SHAFT SEAL	1	[3]
23	5129000	FLANGE GASKET, FITS 2" OR 3"	1	
24	512200R	3" DISCHARGE FLANGE	1	
25	5862000	BOLT, 3/8-16X1 SHCS SS	8	
29	8103000	SCREW 1/4-20x5/8" HX SKT SS	5	
26	8037000	1/2-13 x 1-3/4 STAINLESS STEEL BOLT	2	
30	K001698	XLE50 BRONZE IMPELLER KIT	1	
31	3467000	1-1/2" NPT THREADED BUSHING	1	[2]

PART NOTES:

- [1] - WARNING! These motors are listed for application in Class 1, Division 1, Groups C D, EXPLOSION PROOF environments. The pump must be serviced at the factory or a qualified hazardous motor enclosure repair facility approved by Liberty Pumps. Any unauthorized field repairs voidswarranty and hazardous location ratings. Contact Liberty Pumps at 1-800-543-2550 to locate the closest repair facility
- [2] - WARNING! These motors are listed for application in Class 1, Division 1, Groups C D, EXPLOSION PROOF environments. The pump must be serviced at the factory or a qualified hazardous motor enclosure repair facility approved by Liberty Pumps. Any unauthorized field repairs voidswarranty and hazardous location ratings. Contact Liberty Pumps at 1-800-543-2550 to locate the closest repair facility.
- [3] - Part requires factory authorized service. Contact Liberty Pumps at 1-800-543-2550

WARNING! These motors are listed for application in Class 1, Division 1, Groups C D, EXPLOSION PROOF environments. The pump must be serviced at the factory or a qualified hazardous motor enclosure repair facility approved by Liberty Pumps. Any unauthorized field repairs voidswarranty and hazardous location ratings. Contact Liberty Pumps at 1-800-543-2550 to locate the closest repair facility