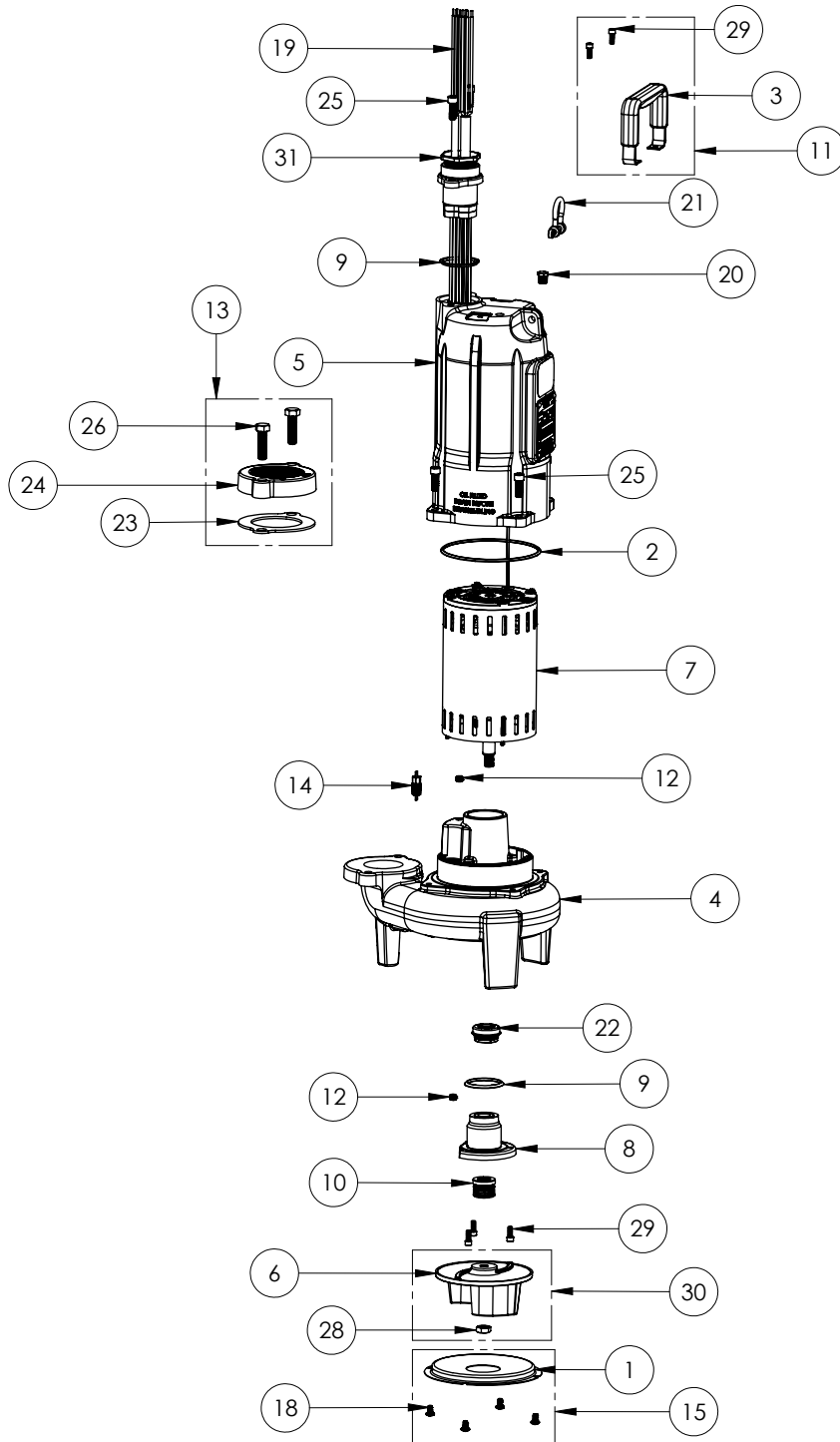


XLE53BM-2

XLE53BM-2 (B90)



XLE53BM-2**XLE53BM-2 (B90)**

| # | PART # | DESCRIPTION | QTY | Note |
|----|---------|--|-----|------|
| 1 | 3431000 | XLE INLET STAMPING | 1 | |
| 2 | 3403000 | O-RING | 1 | |
| 3 | 3411200 | HANDLE | 1 | |
| 4 | 341400R | LEX VOLUTE, PAINTED | 1 | [1] |
| 5 | 341600R | HOUSING XFL/XLE PAINTED | 1 | [2] |
| 6 | 34190B0 | XLE50 IMPELLER, MACHINED BRONZE | 1 | |
| 7 | 34250A0 | MOTOR, 4 POLE 3PH 208/230/4480/480V 60HZ | 1 | |
| 8 | 3427000 | SEAL PLATE WITH BUSHING | 1 | [2] |
| 9 | 3428000 | O-RING ASTM 568A- 226 | 2 | |
| 10 | 3429000 | SEAL TYPE 2100 18MM | 1 | [2] |
| 11 | K001681 | HANDLE KIT WITH BOLTS | 1 | |
| 12 | 34470A0 | 1/8" STAINLESS STEEL OIL PLUG 18-8 | 2 | |
| 13 | K001222 | 3" DISCHARGE KIT | 1 | |
| 14 | 3450000 | SEAL FAIL PROBE BODY | 1 | |
| 15 | K001700 | XLE INLET PLATE KIT | 1 | |
| 18 | 3470000 | 1/4-20X7/16 PPHMS 18-8 | 4 | |
| 19 | 34740D0 | CORD CAP 25' WITH JUMPER, 4 CONDUCTOR | 1 | [2] |
| 20 | 50710A0 | PIPE PLUG, 1/4" HEX HD BRASS NPTF | 1 | |
| 21 | K001680 | SHACKLE KIT | 1 | |
| 22 | 5633000 | 3/4" UNITIZED SHAFT SEAL | 1 | [3] |
| 23 | 5129000 | FLANGE GASKET, FITS 2" OR 3" | 1 | |
| 24 | 512200R | 3" DISCHARGE FLANGE | 1 | |
| 25 | 5862000 | BOLT, 3/8-16X1 SHCS SS | 8 | |
| 26 | 8037000 | 1/2-13 x 1-3/4 STAINLESS STEEL BOLT | 2 | |
| 28 | 8046000 | 1/2-20 HEX STAINLESS STEEL JAM NUT | 1 | |
| 29 | 8103000 | SCREW 1/4-20x5/8" HX SKT SS | 5 | |
| 30 | K001698 | XLE50 BRONZE IMPELLER KIT | 1 | |
| 31 | 3467000 | 1-1/2" NPT THREADED BUSHING | 1 | [2] |

PART NOTES:

- [1] - WARNING! These motors are listed for application in Class 1, Division 1, Groups C D, EXPLOSION PROOF environments. The pump must be serviced at the factory or a qualified hazardous motor enclosure repair facility approved by Liberty Pumps. Any unauthorized field repairs voidswarranty and hazardous location ratings. Contact Liberty Pumps at 1-800-543-2550 to locate the closest repair facility
- [2] - WARNING! These motors are listed for application in Class 1, Division 1, Groups C D, EXPLOSION PROOF environments. The pump must be serviced at the factory or a qualified hazardous motor enclosure repair facility approved by Liberty Pumps. Any unauthorized field repairs voidswarranty and hazardous location ratings. Contact Liberty Pumps at 1-800-543-2550 to locate the closest repair facility.
- [3] - Part requires factory authorized service. Contact Liberty Pumps at 1-800-543-2550