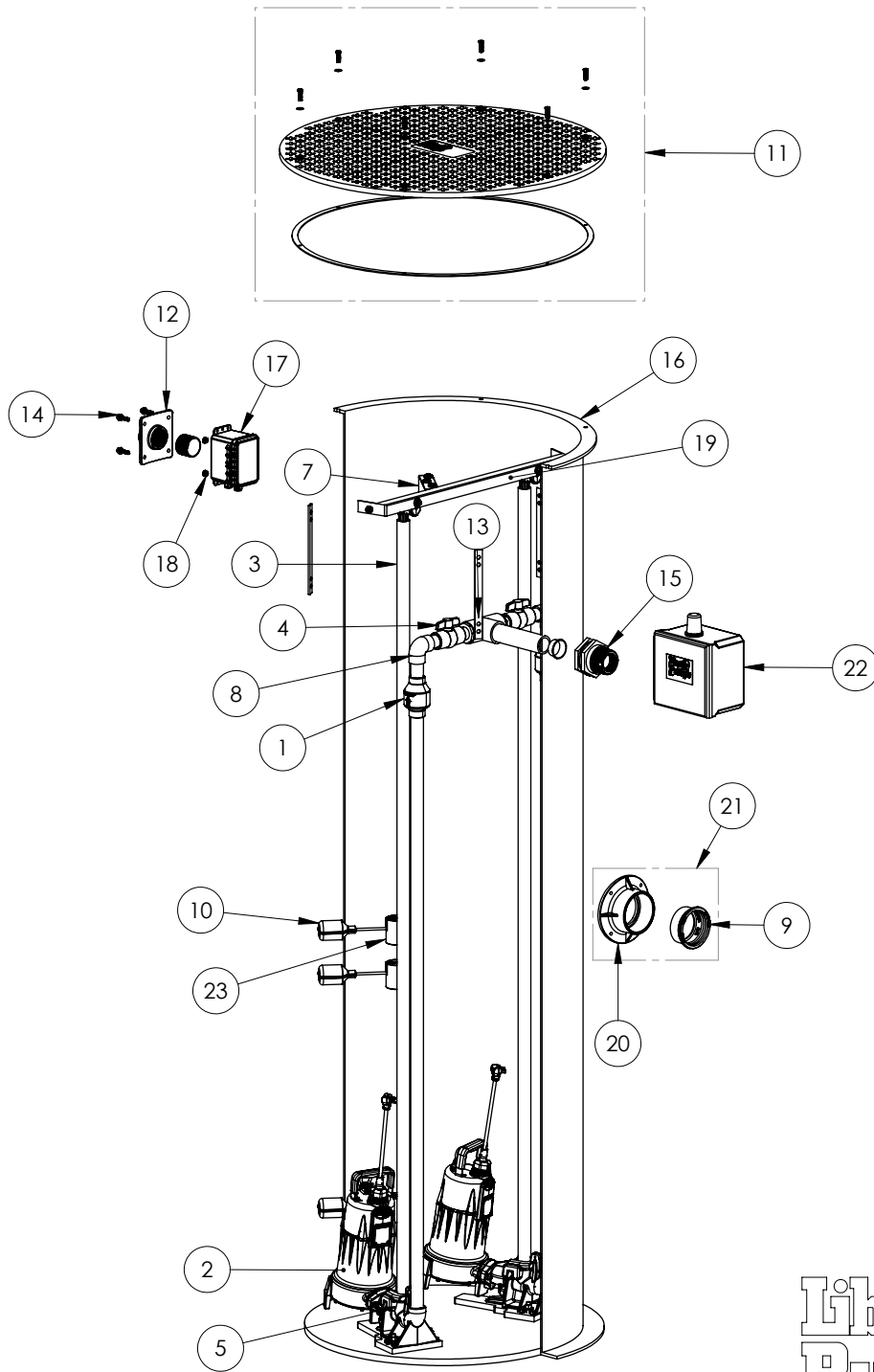


# D36120LSG202-24 (B56)



Liberty  
Pumps®

## D36120LSG202-24 (B56)

#	PART #	DESCRIPTION	QTY	Note
1	6254000	1-1/4" PVC CHECK VALVE	2	
2	LSG202M	OMNIVORE GRNDER 2HP	2	
3	4750R00	1-1/4" GALVANIZED PIPE	106	
4	47690A0	1-1/4" PVC BALL VALVE	2	
5	GR20	GUIDE RAIL BASE	2	
6	8107000	3/8-16 WASHER, FLAT	8	
7	4787000	SS 3 FLOAT BRACKET ASSEMBLY	1	
8	4706000	1-1/4" SCH80 PVC ELBOW 90 DEGREE	2	
9	K001141	4" FERNCO SEALING DONUT	1	
10	FLOAT SWITCH KIT	FLOAT SWITCH KIT	3	
11	K001213	4666000 36" FIBERGLASS COVER W/HARDWARE	1	
12	K001352	BULKHEAD FITTING 2" NPS, INCLUDES MOUNTING HARDWARE	1	
13	4725000	2" SCH80 PVC SXS TEE	1	
14	8110000	3/8-16 x 1-1/2" STAINLESS STEEL HEX	4	
15	K001604	2" PVC DISCHARGE BULKHEAD FNPT	1	
16	K001893	36X120 FIBERGLASS TANK KIT	1	
17	JB70	JUNCTION BOX PVC NEMA 4X	1	
18	8108000	NUT, 3/8-16 316 STAINLESS STEEL	4	
19	4752R00	1-1/2" STAINLESS STEEL ANGLE IRON	41	
20	4825000	4" FIBERGLASS HUB (36"-72" DIAMETER TANKS)	1	
21	K001238	4" FIBERGLASS HUB KIT (36"-72" DIAMETER TANKS)	1	
22	AE24H=3	GRINDER ALTERNATOR NEMA 4X	1	
23	6048000	CABLE WEIGHT	3	