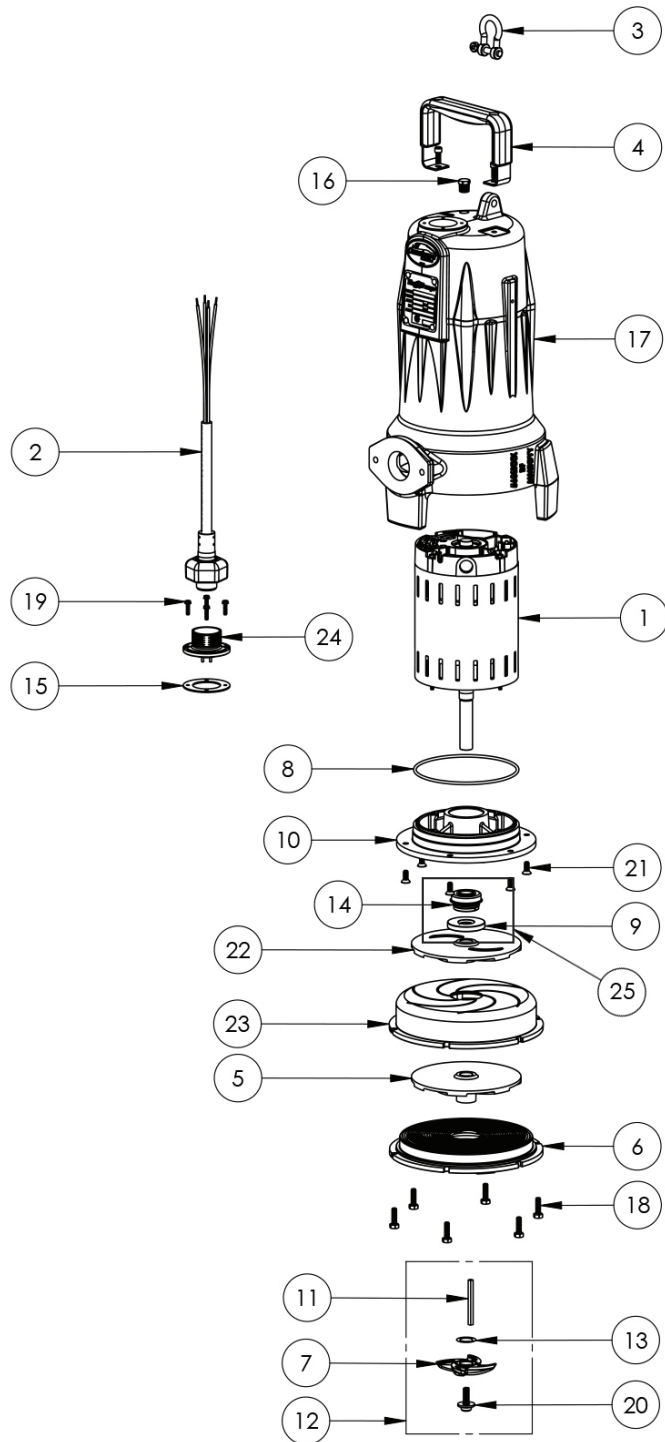


LSGX204M (B43)



**LSGX204M****LSGX204M (B43)**

#	PART #	DESCRIPTION	QTY	Note
1	5735000	MOTOR	1	[1]
2	K001357	POWER CORD, 25FT	1	
3	5611000	SHACKLE	1	
4	5613000	HANDLE	1	
5	46600B0	BOTTOM IMPELLER, STAINLESS STEEL	1	
6	K001395	CUTTER PLATE	1	
7	5616900	ROTARY CUTTER	1	
8	5617000	O-RING	1	
9	5618000	DOUBLE LIP SEAL	1	
10	5851000	MOTOR PLATE	1	
11	56350B0	KEY	1	
12	K001139	ROTARY CUTTER KIT	1	[2]
13	K001445	ROTARY CUTTER SHIM KIT	2	
14	5633000	3/4" UNITIZED SHAFT SEAL	1	[1]
15	5060000	CORD PLATE GASKET	1	
16	50710A0	PIPE PLUG, 1/4" HEX HD BRASS NPTF	1	
17	573300R	OMNIVORE HOUSING, 2 STAGE	1	
18	8024000	1/4-20x7/8" HEX HEAD SS BOLT	6	
19	8064000	#8-32 x 5/8 HEX WASHER HEAD SCREW	4	
20	56360A0	FLANGED IMPELLER BOLT	1	
21	8018000	1/4-20 x 5/8 SLOTTED FLAT HEAD BOLT	6	
22	46600A0	TOP IMPELLER	1	
23	5380000	CROSSOVER	1	
24	5629000	CORDPLATE	1	
25	K001484	OMNIVORE SEAL KIT, INCLUDES 5618000 AND 5633000	1	[3]

**PART NOTES:**

- [1] - Part requires factory authorized service. Contact Liberty Pumps at 1-800-543-2550
- [2] - ForLSG GrinderCutter Replacment Instructions see LSG Grinder Cutter Replacement
- [3] - Omnivore maintenance procedure [click here](#)