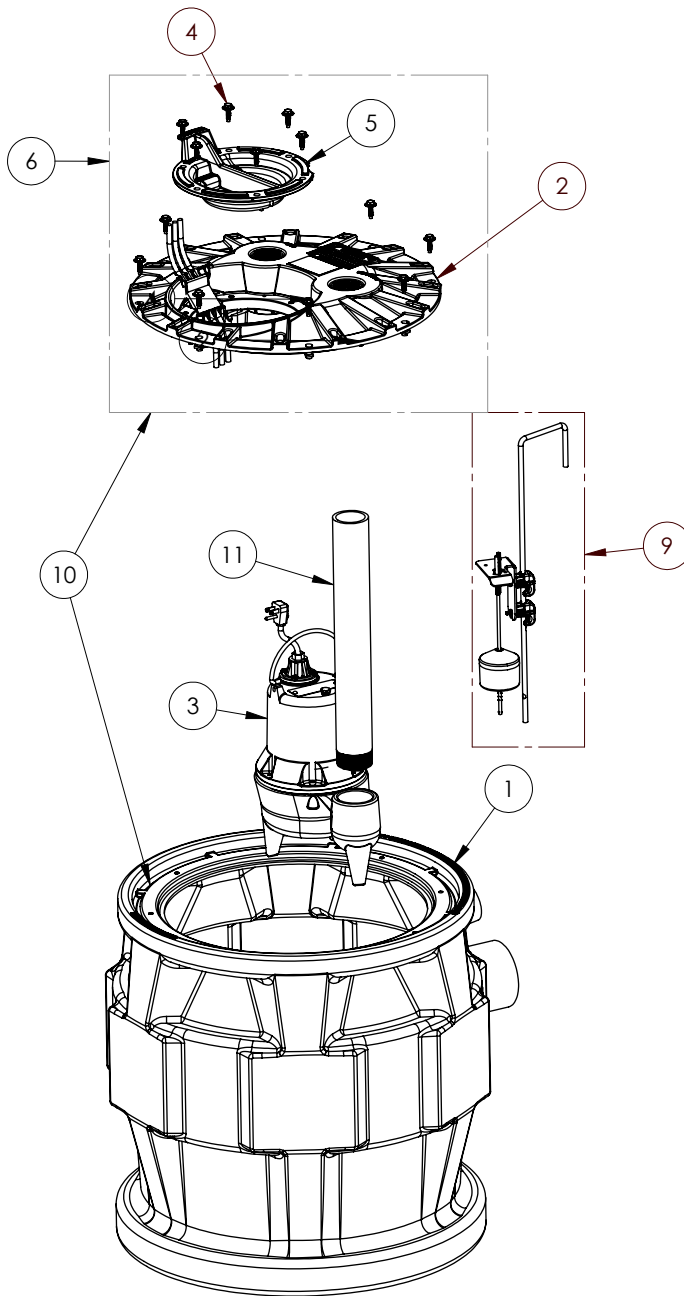


P382LE41V (B10)



**P382LE41V**

**P382LE41V (B10)**

| <b>#</b> | <b>PART #</b> | <b>DESCRIPTION</b>  | <b>QTY</b> | <b>Note</b> |
|----------|---------------|---|------------|-------------|
| 1        | K001110       | PRO380 SERIES 24" BASIN                                   | 1          |             |
| 2        | 50340A0       | 2X2 COVER, 8 BOLTS, FOR PVC PIPE                          | 1          |             |
| 3        | LE41M         | 4/10 HP SEWAGE PUMP 115V, 10' POWER CORD                  | 1          |             |
| 4        | K001162       | COVER HARDWARE, WASHER HEAD HEX SCREWS 14 INCLUDED IN KIT | 1          |             |
| 5        | K001233       | INSPECTION COVER, INCLUDES MOUNTING SCREWS (6)            | 1          |             |
| 6        | K001101       | COVER ASY 2X2, 8 BOLTS, FOR PVC PIPE                      | 1          |             |
| 7        | K001399       | PRO SERIES PIPE KIT 2" SCH80 X17.50"                      | 1          |             |
| 8        | K001107       | P382 TANK & 2X2 COVER ASSEMBLY                            | 1          |             |
| 9        | K001546       | 380 FLOAT SWITCH ASSEMBLY VRT                             | 1          |             |