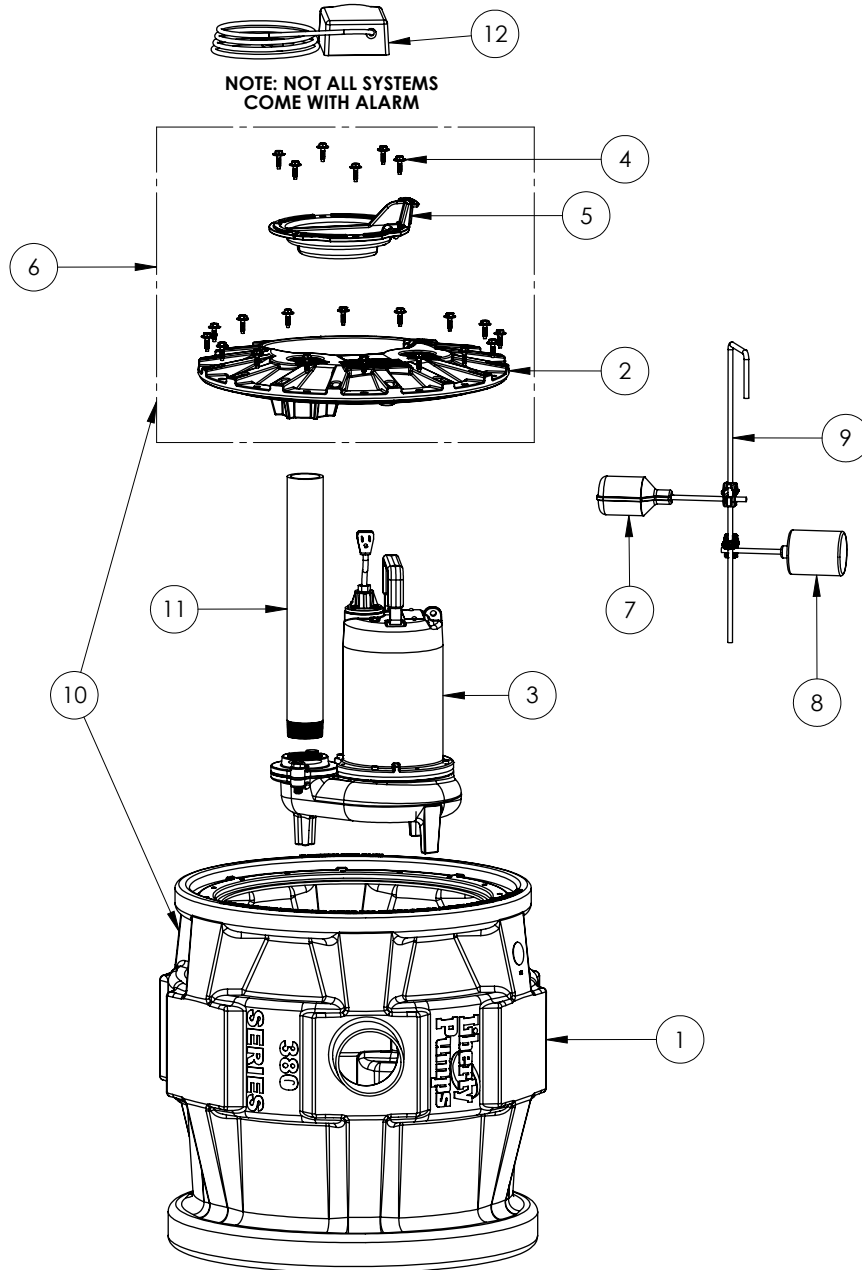


P382XLE72 (B10)



P382XLE72 (B10)

| # | PART # | DESCRIPTION | QTY | Note |
|----|-------------------------------|---|-----|------|
| 1 | K001133 | 380XL TANK 16 BOLTS | 1 | |
| 2 | 50340B0 | 2X2 COVER, 16 BOLT | 1 | |
| 3 | LE72M2 | 3/4 HP SEWAGE PUMP 208-230V 10' POWER CORD | 1 | |
| 4 | 8155000 | WASHER HEAD HEX SCREW | 22 | |
| 5 | K001233 | INSPECTION COVER, INCLUDES MOUNTING SCREWS (6) | 1 | |
| 6 | K001127 | 2X2 COVER ASSEMBLY, 16 BOLT, PVC | 1 | |
| 7 | Pro Series Alarm switch (B10) | REPLACEMENT SWITCH BASED ON SYSTEM LABEL | 1 | [1] |
| 8 | K001019 | 61140A0 PUMP SWITCH, 10' 230V, INCLUDES MOUNTING HARDWARE | 1 | |
| 9 | K001123 | QUICKTREE KIT, ROD & CLAMPS ONLY | 1 | |
| 10 | K001137 | P382XL TANK AND COVER | 1 | |
| 11 | K001399 | PRO SERIES PIPE KIT 2" SCH80 X17.50" | 1 | |
| 12 | SEE NOTE FOR ALARM | ALARM ONLY | | [2] |
| 13 | K001019 | 61140A0 PUMP SWITCH, 10' 230V, INCLUDES MOUNTING HARDWARE | 1 | |
| 14 | K001431 | 61140B0 PUMP SWITCH, 25' 230V | 1 | |
| 15 | K001134 | FLOAT SWITCH, 20FT CORD, INCLUDES 1 SWITCH PER KIT | 1 | |
| 16 | K001415 | 60050D0 SWITCH, 10' PILOT DUTY PIGTAIL | 1 | |

PART NOTES:

- [1] - **NOTE**
- ALARM SWITCH KITS
- For /A2 Suffix of model number use Part No. K001134
- For /A21 Suffix of model number use Part No. K001415
- For /A2W Suffix of model number use Part No. K001134
- [2] - ALARM PRO SERIES
- FORA2 SUFFIX OF MODEL
- NUMBER: USE PART NO 6225000
- FORA2W SUFFIX OF MODEL
- NUMBER: USE PART NO 6226000
- FORA21 SUFFIX OF MODE
- NUMBER: USE PART NO 6242000
- Part requires factory authorized service. Contact Liberty Pumps at 1-800-543-2550