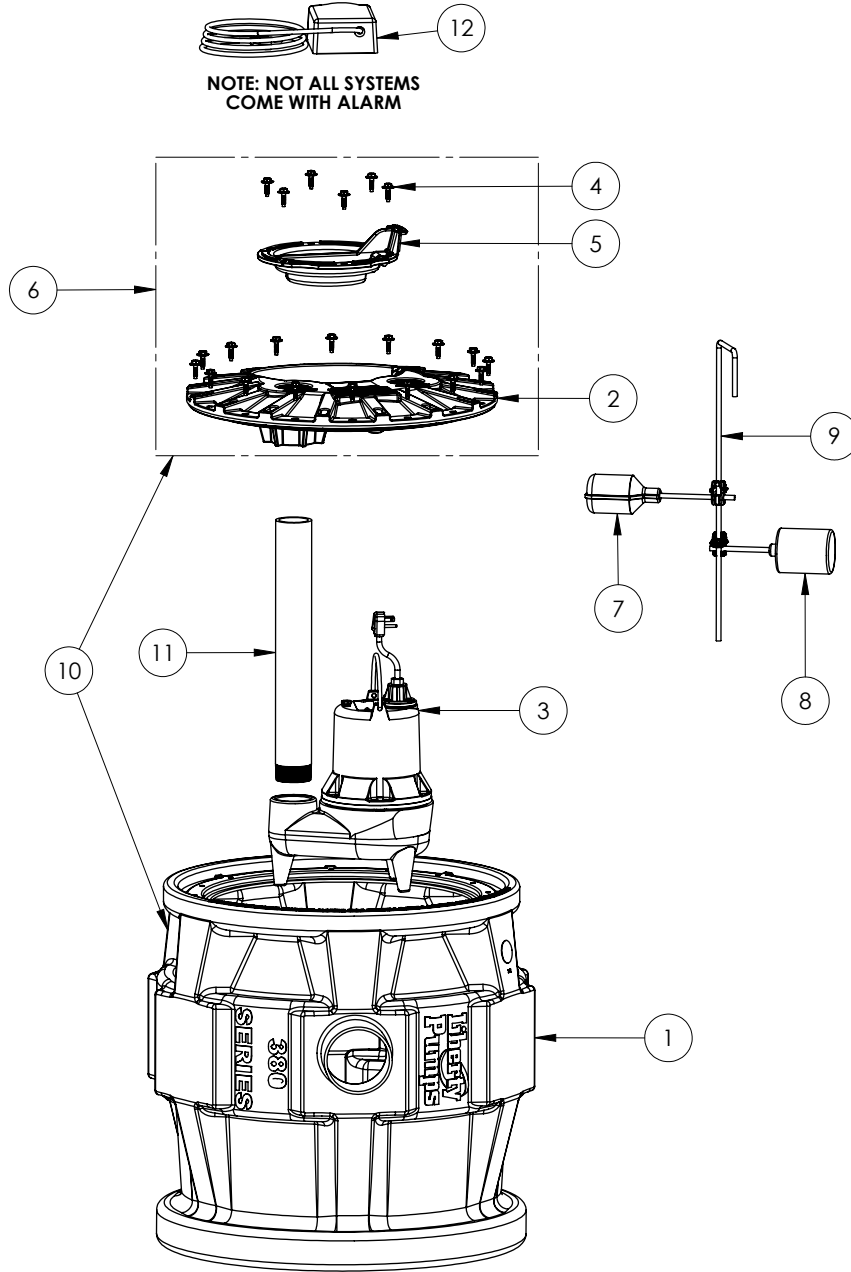


P382XLE41 (B10)



P382XLE41

P382XLE41 (B10)

#	PART #	DESCRIPTION	QTY	Note
1	K001133	380XL TANK 16 BOLTS	1	
2	50340B0	2X2 COVER, 16 BOLT	1	
3	LE41M	4/10 HP SEWAGE PUMP 115V, 10' POWER CORD	1	
4	8155000	WASHER HEAD HEX SCREW	22	
5	K001233	INSPECTION COVER, INCLUDES MOUNTING SCREWS (6)	1	
6	K001127	2X2 COVER ASSEMBLY, 16 BOLT, PVC	1	
7	Pro Series Alarm switch (B10)	REPLACEMENT SWITCH BASED ON SYSTEM LABEL	1	[1]
8	K001054	61130A0 PUMP SWITCH, 10' 115V	1	
9	K001123	QUICKTREE KIT, ROD & CLAMPS ONLY	1	
10	K001137	P382XL TANK AND COVER	1	
11	K001399	PRO SERIES PIPE KIT 2" SCH80 X17.50"	1	
12	SEE NOTE FOR ALARM	ALARM ONLY		[2]
13	K001054	61130A0 PUMP SWITCH, 10' 115V	1	
14	K001144	61130B0 PUMP SWITCH, 25' 115V	1	
15	K001134	FLOAT SWITCH, 20FT CORD, INCLUDES 1 SWITCH PER KIT	1	
16	K001415	60050D0 SWITCH, 10' PILOT DUTY PIGTAIL	1	

PART NOTES:

- [1] - **NOTE**
ALARM SWITCH KITS
For /A2 Suffix of model number use Part No. K001134
For /A21 Suffix of model number use Part No. K001415
For /A2W Suffix of model number use Part No. K001134
- [2] - ALARM PRO SERIES
FORA2 SUFFIX OF MODEL
NUMBER: USE PART NO 6225000
FORA2W SUFFIX OF MODEL
NUMBER: USE PART NO 6226000
FORA21 SUFFIX OF MODE
NUMBER: USE PART NO 6242000
Part requires factory authorized service. Contact Liberty Pumps at 1-800-543-2550