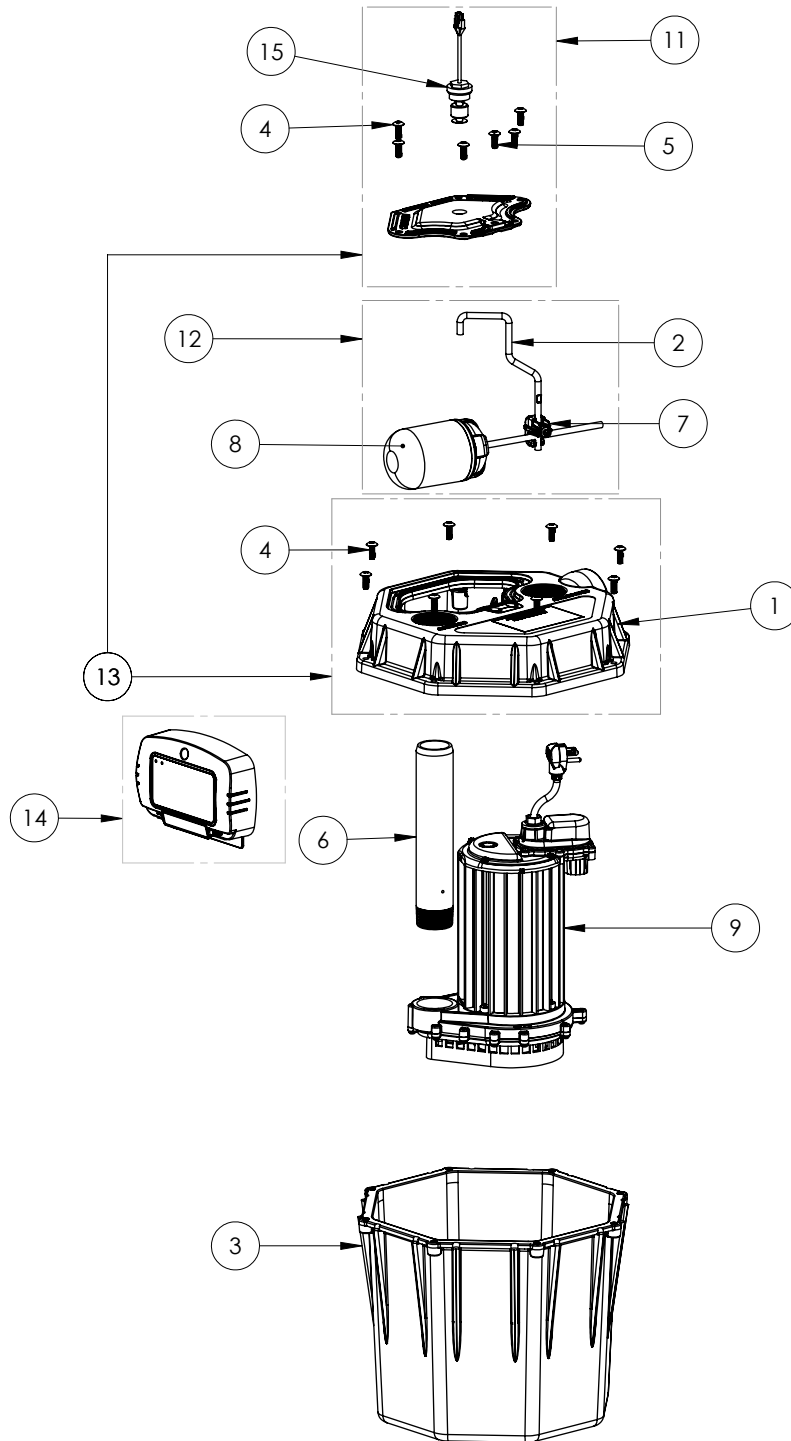


405A

405A (B59)



Liberty
Pumps

405A**405A (B59)**

| # | PART # | DESCRIPTION | QTY | Note |
|----|---------|--|-----|------|
| 1 | 53230BG | 405 COVER | 1 | |
| 2 | 5360000 | 404/405 QUICK TREE FLOAT ROD | 1 | |
| 3 | K001157 | 405 TANK | 1 | |
| 4 | 8156000 | TRUSS HD, 1/4-20X3/4 18-8 SCREW | 14 | |
| 5 | 8157000 | TRUSS HD 1/4-20 X 1 18-8 SCREW | 1 | |
| 6 | 1183000 | NIPPLE 1-1/2 X 9.625 CPVC TOE | 1 | |
| 7 | 5045000 | FLOAT SUPPORT CLAMP 10-24 | 1 | |
| 8 | 63370A0 | SWITCH, HI TEMP, 115V, 10' | 1 | |
| 9 | 405P | PUMP | 1 | [1] |
| 11 | K001721 | KIT ACCESS COVERW/ FLOAT FOR 404A, 405A | 1 | |
| 12 | K001159 | SWITCH TREE KIT | 1 | |
| 13 | K001900 | 405/A COVER KIT INCLUDES ACCESS COVER /W SWITCH, HARDWARE | 1 | |
| 14 | K001282 | KIT ALARM 115V SWT-ACTV | 1 | |
| 15 | 2367000 | FLOAT HIGH TEMP THEARED REED SWITCH | 1 | |

PART NOTES:

[1] - [clickhere](#) for 405P pump assembly