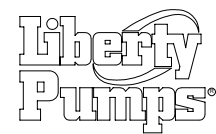
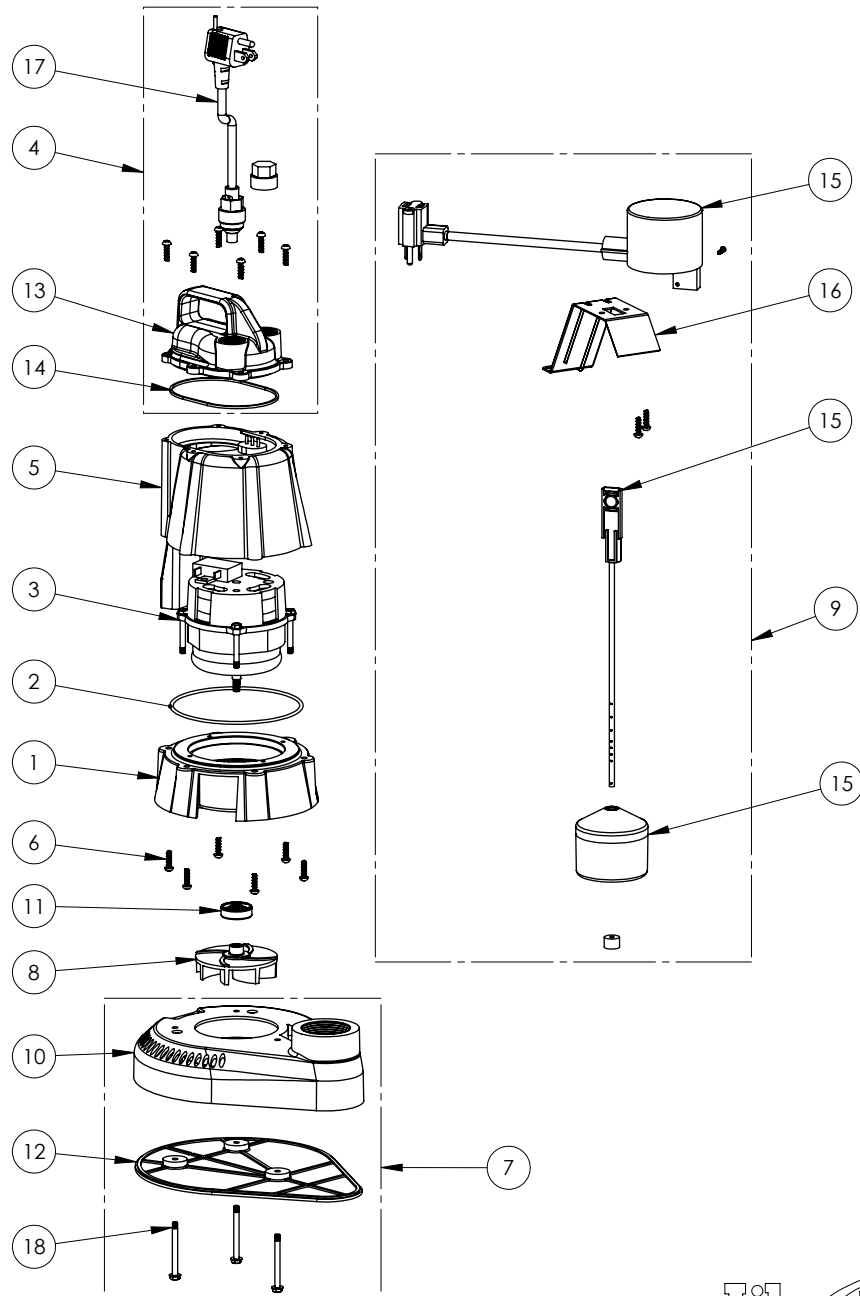


S37-P (B34)



S37-P**S37-P (B34)**

#	PART #	DESCRIPTION	QTY	Note
1	3011000	MOTOR PLATE	1	
2	3026000	O-RING	1	
3	3012000	MOTOR	1	
4	K001165	CORD/COVER ASSEMBLY	1	
5	3010000	S35 HOUSING	1	
6	8104200	#10 HILO X 5/8" STAINLESS STEEL SCREW	14	
7	K001090	VOLUTE ASSEMBLY	1	
8	3019M00	IMPELLER	1	
9	K001559	SWITCH KIT, WITH BRACKET	1	
10	3013000	VOLUTE	1	
11	3039000	DOUBLE LIP SEAL	1	
12	3016000	BASE PLATE	1	
13	3017000	CHAMBER COVER	1	
14	3018000	CHAMBER SEAL RING	1	
15	4635000	VERTICAL SWITCH ASSEMBLY	1	
16	3381	S37 SWITCH BRACKET	1	
17	3040EB0	S37 POWER CORD	1	
18	3029	WASHER HEAD CAP SCREW	3	