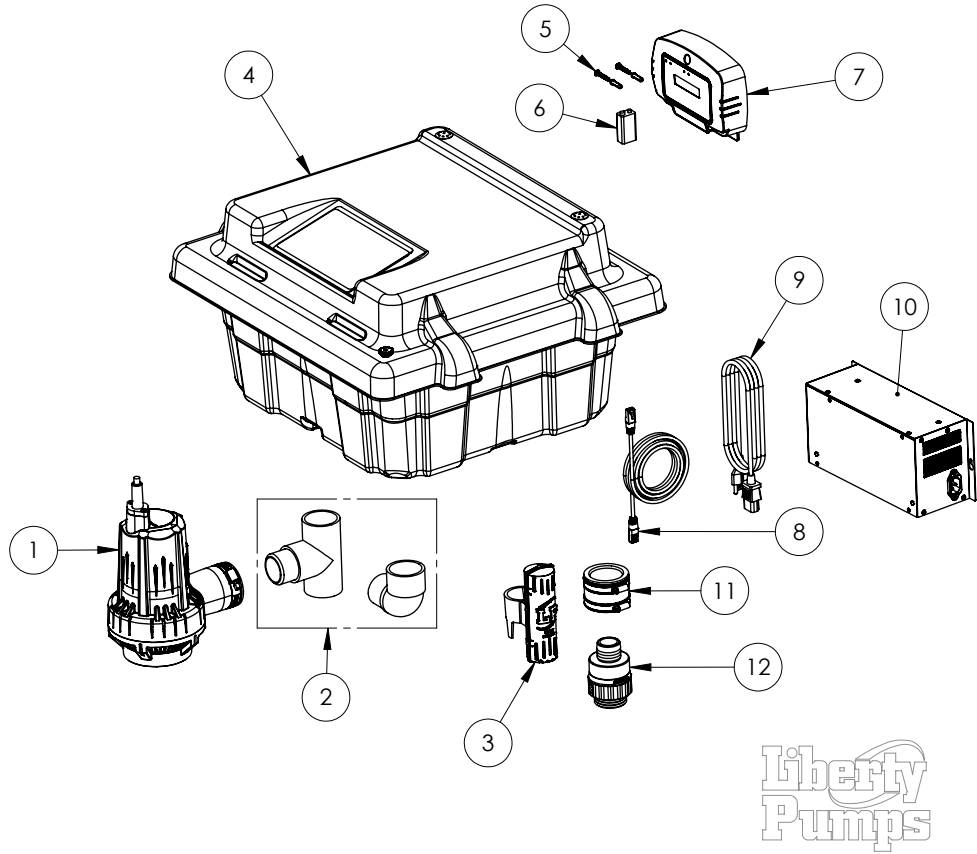


442-25A (B93)



Liberty
Pumps

442-25A (B93)

#	PART #	DESCRIPTION	QTY	Note
1	K001575	442 REPLACEMENT PUMP	1	
2	K001576	1.5" PVC TEE AND STREET ELBOW KIT (TEE AND ELBOW ONLY)	1	
3	K001577	DUAL REED SWITCH ASSEMBLY KIT	1	
4	K001582	STORM CELL DUAL BATTERY BOX	1	
5	2119000	FASTENER-ALM SERIES MOUNTING	1	
6	K001567	KIT, BATTERY 9V, 625MAH	1	
7	K001616	INTERFACE, 442 CHARGER	1	
8	K001578	8FT ETHERNET CABLE	1	
9	K001579	CHARGER POWER CORD	1	
10	K001581	25A CHARGER AND PWR CORD KIT	1	
11	6706200	PVC FLEXIBLE COUPLING ASSY	1	
12	5695200	CHECK VALVE 1-1/2" X1-1/4" PLASTIC THREADED	1	