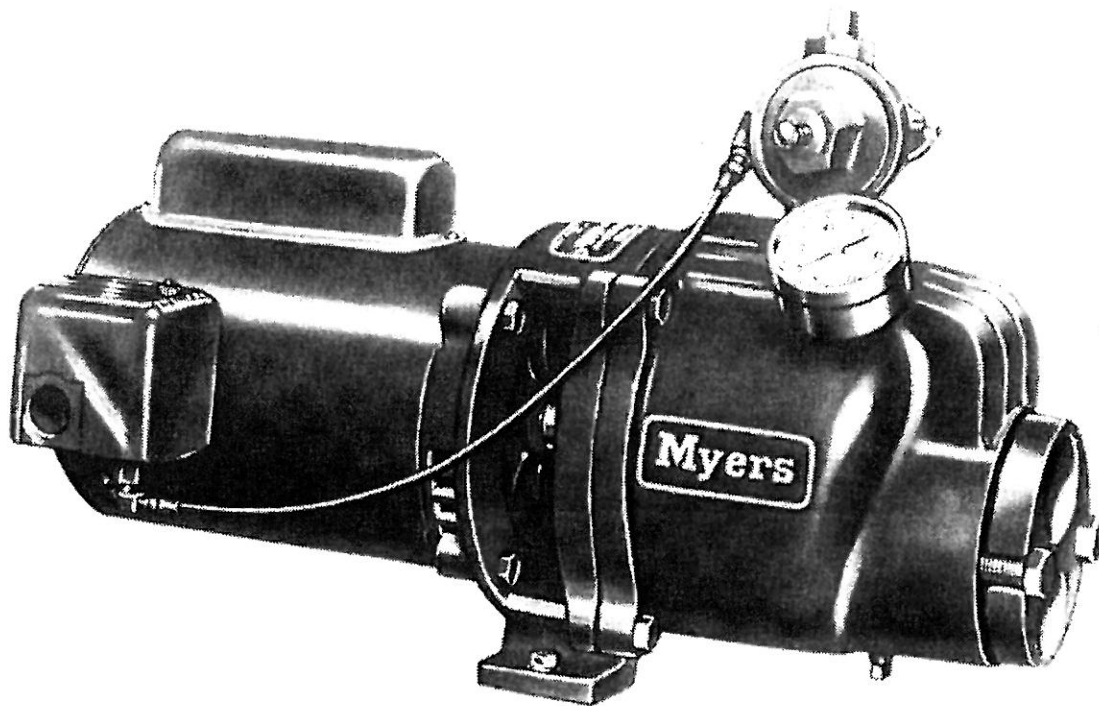


HC Convertible Pump Parts List

Single Stage - Shallow or Deep Well - $\frac{1}{3}$, $\frac{1}{2}$, $\frac{3}{4}$, 1 HP



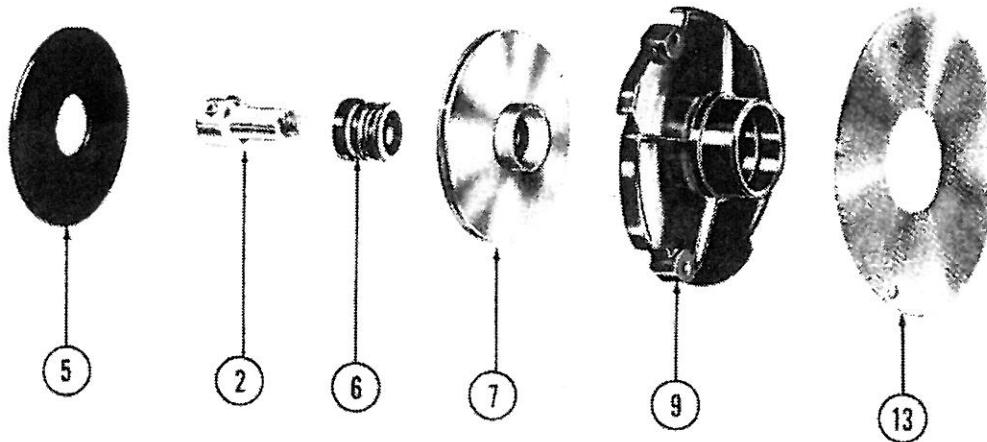
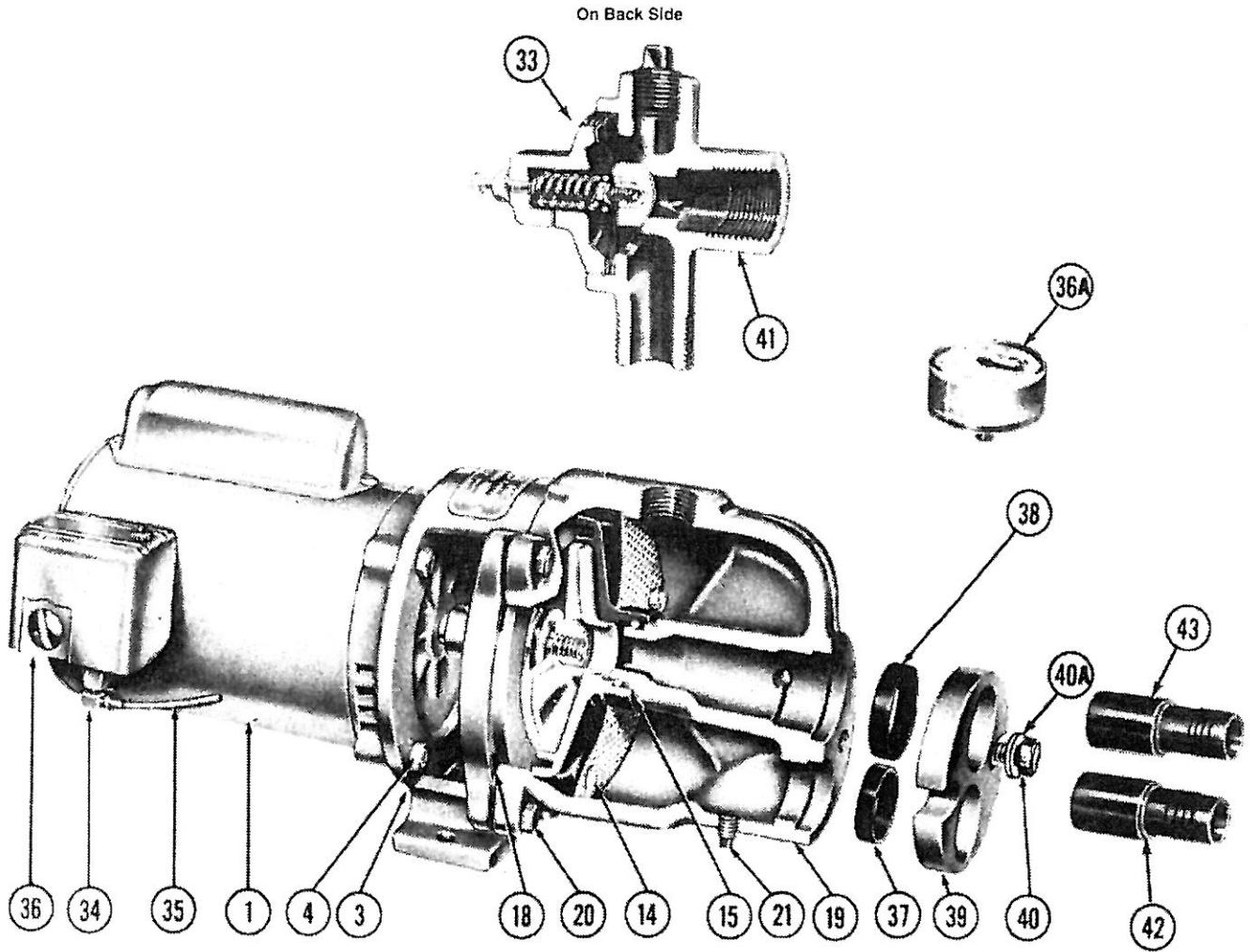
Serial Numbers 1058 and 460 Plus Year Made.

ILLUSTRATION Serial Number 460

Convertible Pump Parts List

Single Phase - 60 Cycle - 1/3, 1/2, 3/4, 1 HP

Serial Numbers 1058 and 460 Plus Year Made. ILLUSTRATION AND PARTS LIST Serial Number 460.



Convertible Pump Parts List

Single Phase - 60 Cycle - 1/3, 1/2, 3/4, 1 HP

PUMP NAME PLATE CATALOG NUMBER		HC-33		HC-50		HC-75		HC-100	
MOTOR HORSEPOWER		1/3		1/2		3/4		1	
CYCLES OF MOTOR		60		60		60		60	
Ref. No.	NAME OF PART	No. Req.	PART NO.	No. Req.	PART NO.	No. Req.	PART NO.	No. Req.	PART NO.
1	Motor, 1/3 HP	1	11676A000						
1	Motor, 1/2 HP			1	11537A000				
1	Motor, 3/4 HP					1	11574A000		
1	Motor, 1 HP							1	11578A000
2	Shaft with Set Screws	1	12524A001	1	12524A001	1	12524A001	1	12524A001
	Set Screw for Shaft	2	05013A048	2	05013A048	2	05013A048	2	05013A048
3	Motor Bracket	1	12523D001	1	12523D001	1	14447D001	1	14447D001
4	Cap Screw, 3/8"-16 NC, 7/8" Long, Bracket to Motor	4	19101A008	4	19101A008	4	19101A008	4	19101A008
5	Slinger - for Units with Separate Slinger	1	05059A318	1	05059A318	1	05059A318	1	05059A318
6	Seal for Shaft	1	11416A000	1	11416A000	1	11416A000	1	11416A000
7	Impeller	1	14327B000	1	14328B000	1	14330B000	1	14329B000
9	Diffuser	1	14306B000	1	14307B000	1	14379B000	1	14380B000
13	Screen	1	13069B001	1	13069B001	1	13069B002	1	13069B002
14	Cap Screw, 1/4"-20 Thread, 1" Long, Diffuser to Bracket	3	19099A012	3	19099A012	3	19099A012	3	19099A012
15	"O" Ring, 1 1/2" I.D., 1 3/4" O.D., 1/8" diameter, Rubber, Diffuser to Case	1	05876A007	1	05876A007				
15	"O" Ring, 1 3/8" I.D., 1 7/8" O.D., 1/8" diameter, Rubber, Diffuser to Case					1	05876A040	1	05876A040
18	Gasket, 6 7/8" x 6 7/32" x 1/64", Paper, Case to Bracket	1	05059A332	1	05059A332				
18	Gasket, 7 3/4" x 7 1/32" x 1/64", Paper, Case to Bracket					1	05059A354	1	05059A354
19	Case	1	14438D000	1	14438D000	1	14448D000	1	14448D000
20	Cap Screw, 3/8"-16 NC, 1 1/4" Long, Case to Bracket	4	19101A020	4	19101A020				
20	Cap Screw, 7/16"-14 NC, 1 1/2" Long, Case to Bracket					6	19102A012	6	19102A012
21	Pipe Plug, 1/8" Pipe, to Drain Case	2	05022A004	2	05022A004	2	05022A004	2	05022A004
34	Male Elbow Fitting, 1/4"	1	23188A002	1	23188A002	1	23188A002	1	23188A002
35	Tube	1	10649A120	1	10649A120	1	10649A120	1	10649A120
36	Switch, Set 20-40 Lbs.	1	15760A000	1	15760A000	1	15760A000	1	15760A000
	Conduit Nipple, Switch Mounting - for Units with Separate Nipple	1	15021A001	1	15021A001	1	15021A001	1	15021A001
	Lock Nut for 1/2" Conduit	1	08715A000	1	08715A000	1	08715A000	1	08715A000
36A	Pressure Gauge, 100 Lbs.	1	05003A001	1	05003A001	1	05003A001	1	05003A001
37	Pipe Ring, Rubber, for 1" Pipe	1	05014A125	1	05014A125				
38	Pipe Ring, Rubber, for 1 1/4" Pipe	1	05014A124	1	05014A124	1	05014A124	1	05014A124
39	Adapter Plate, 1" x 1 1/4" Pipe	1	14445B000	1	14445B000				
39	Adapter Plate, 1 1/4" x 1 1/4" Pipe					1	14451B000	1	14451B000
40	Cap Screw, 1/2"-13 NC, 1 1/4" Long, Adapter Plate to Case	2	19103A004	2	19103A004	2	19103A004	2	19103A004
40A	Washer, Flat	2	05030A015	2	05030A015	2	05030A015	2	05030A015
41	Regulator, 3/4" Pipe, Refer to Section 1020, Page 21	1	15495B000	1	15495B000				
41	Regulator, 1" Pipe, Refer to Section 1020, Page 21					1	15496B000	1	15496B000
42	Female Adapter, 1" x 1" Plastic Pipe	1	14582A000	1	14582A000				
43	Female Adapter, 1 1/4" x 1 1/4" Plastic Pipe	1	14583A000	1	14583A000	2	14583A000	2	14583A000
	Regulator Pkg. - Consists of Ref. Nos. 33-35, 41-43	1	14446A006	1	14446A006	1	14446A005	1	14446A005
	Accessories (Not Shown)								
	Air Control Pkg. - Consists of Ref. Nos. 44-48	1	14446A000	1	14446A000	1	14446A000	1	14446A000
44	Air Control	1	13809A000	1	13809A000	1	13809A000	1	13809A000
45	Compression Nut	2	05519A001	2	05519A001	2	05519A001	2	05519A001
46	Compression Sleeve	2	05518A001	2	05518A001	2	05518A001	2	05518A001
47	Copper Tube, 1/4" Tube 36" Long	1	05517A002	1	05517A002	1	05517A002	1	05517A002
48	Male Straight Connector, 1/8" Pipe, 1/4" Tube	1	12567A001	1	12567A001	1	12567A001	1	12567A001
49	Hose, 3/4" I.D., 9 1/2" Long	1	06857A017						
50	Hose, 3/4" I.D., 12" Long	1	06857A025	1	06857A025				
51	Hose Clamp for 3/4" I.D. Hose	2	14740A001	2	14740A001				
52	Electrical Cord	2	09859A060	2	09859A060	2	09859A060	2	09859A060

For Ejector Packages, See Section 1020, Page 400.

Myers®

F.E. Myers, 1101 Myers Parkway, Ashland, Ohio 44805-1969
419/289-1144, FAX: 419/289-6658, TLX: 948-7443

