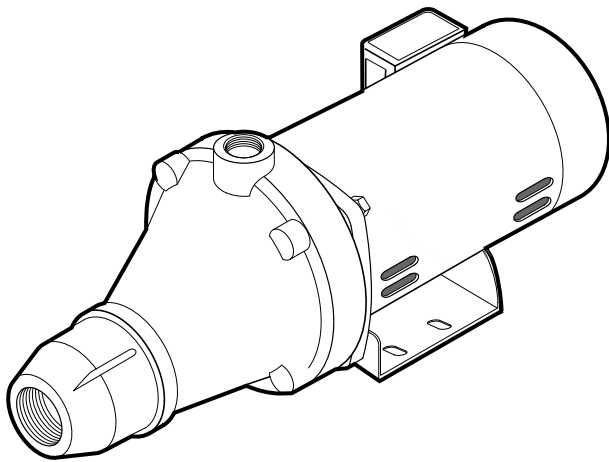
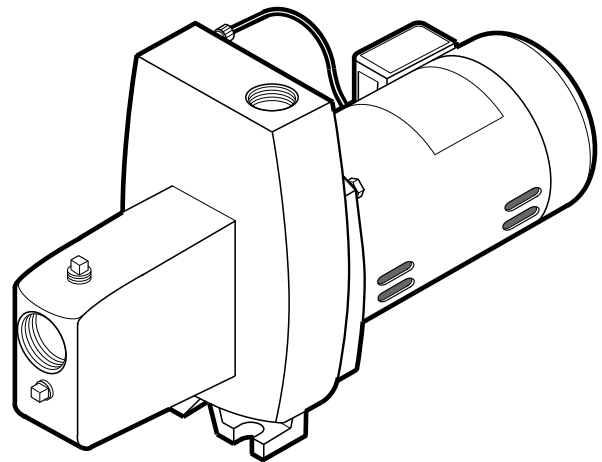


**MYERS®****MPN Series****MFN Series****Installation/Operation/Parts**

For further operating, installation,  
or maintenance assistance:

**Call 1-888-987-8677**

## READ AND FOLLOW SAFETY INSTRUCTIONS!

**⚠️ This is the safety alert symbol.** When you see this symbol on your pump or in this manual, look for one of the following signal words and be alert to the potential for personal injury:

**⚠️ DANGER** warns about hazards that **will** cause serious personal injury, death or major property damage if ignored.

**⚠️ WARNING** warns about hazards that **can** cause serious personal injury, death or major property damage if ignored.

**⚠️ CAUTION** warns about hazards that **will** or **can** cause minor personal injury or property damage if ignored.


The label **NOTICE** indicates special instructions which are important but not related to hazards.

**Carefully read and follow all safety instructions in this manual and on pump.**

Keep safety labels in good condition.  
Replace missing or damaged safety labels.

### California Proposition 65 Warning

**⚠️ WARNING** This product and related accessories contain chemicals known to the State of California to cause cancer, birth defects or other reproductive harm.


<p><b>⚠️ WARNING</b></p> <p><b>Hazardous voltage. Can shock, burn, or cause death.</b></p> <p>Ground pump before connecting to power supply. Disconnect power before working on pump, motor or tank.</p>

- ⚠️** Wire motor for correct voltage. See “Electrical” section of this manual and motor nameplate.
- ⚠️** Ground motor before connecting to power supply.
- ⚠️** Meet National Electrical Code, Canadian Electrical Code, and local codes for all wiring.
- ⚠️** Follow wiring instructions in this manual when connecting motor to power lines.

## ELECTRICAL SAFETY

**⚠️ WARNING** Capacitor voltage may be hazardous. To discharge motor capacitor, hold insulated handle screwdriver **BY THE HANDLE** and short capacitor terminals together. Do not touch metal screwdriver blade or capacitor terminals. If in doubt, consult a qualified electrician.

## GENERAL SAFETY

**⚠️ CAUTION** Do not touch an operating motor. Modern motors can operate at high temperatures. To avoid burns when servicing pump, allow it to cool for 20 minutes after shut-down before handling.

Do not allow pump or any system component to freeze. To do so will void warranty.

Pump water only with this pump.

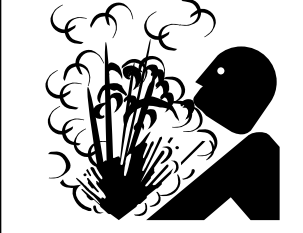
Periodically inspect pump and system components.

Wear safety glasses at all times when working on pumps.

Keep work area clean, uncluttered and properly lighted; store properly all unused tools and equipment.

Keep visitors at a safe distance from the work areas.

**⚠️ WARNING** Pump body may explode if used as a booster pump unless relief valve capable of passing full pump flow at 75 psi is installed.

	<p><b>⚠️ WARNING</b></p> <p><b>Hazardous pressure! Install pressure relief valve in discharge pipe.</b></p> <p>Release all pressure on system before working on any component.</p>
--	--

	Page
General Safety .....	2
Warranty.....	3
Installation (Well Pumps).....	4, 5
Connecting Discharge Piping.....	6
Electrical.....	7, 8
Preparing To Start The Pump .....	9
Repair Parts .....	10, 11
Troubleshooting.....	12

**Limited Warranty**

F.E. MYERS warrants to the original consumer purchaser (“Purchaser” or “You”) of the products listed below, that they will be free from defects in material and workmanship for the Warranty Period shown below.

Product	Warranty Period
Jet pumps, small centrifugal pumps, submersible pumps and related accessories	<i>whichever occurs first:</i> 12 months from date of original installation, or 18 months from date of manufacture
Fibrewound Tanks	5 years from date of original installation
Steel Pressure Tanks	5 years from date of original installation
Sump/Sewage/Effluent Products	12 months from date of original installation, or 24 months from date of manufacture

Our warranty will not apply to any product that, in our sole judgement, has been subject to negligence, misapplication, improper installation, or improper maintenance. Without limiting the foregoing, operating a three phase motor with single phase power through a phase converter will void the warranty. Note also that three phase motors must be protected by three-leg, ambient compensated, extra-quick trip overload relays of the recommended size or the warranty is void.

Your only remedy, and F.E. MYERS’s only duty, is that F.E. MYERS repair or replace defective products (at F.E. MYERS’s choice). You must pay all labor and shipping charges associated with this warranty and must request warranty service through the installing dealer as soon as a problem is discovered. No request for service will be accepted if received after the Warranty Period has expired. This warranty is not transferable.

F.E. MYERS SHALL NOT BE LIABLE FOR ANY CONSEQUENTIAL, INCIDENTAL, OR CONTINGENT DAMAGES WHATSOEVER. THE FOREGOING LIMITED WARRANTIES ARE EXCLUSIVE AND IN LIEU OF ALL OTHER EXPRESS AND IMPLIED WARRANTIES, INCLUDING BUT NOT LIMITED TO IMPLIED WARRANTIES OF MERCHANTABILITY AND FITNESS FOR A PARTICULAR PURPOSE. THE FOREGOING LIMITED WARRANTIES SHALL NOT EXTEND BEYOND THE DURATION PROVIDED HEREIN.

Some states do not allow the exclusion or limitation of incidental or consequential damages or limitations on the duration of an implied warranty, so the above limitations or exclusions may not apply to You. This warranty gives You specific legal rights and You may also have other rights which vary from state to state.

This Limited Warranty is effective June 1, 2011 and replaces all undated warranties and warranties dated before June 1, 2011.

**F.E. MYERS**  
**293 Wright Street, Delavan, WI 53115**  
**Phone: 888-987-8677 • Fax: 800-426-9446 • www.femyers.com**  
**In Canada: P. O. Box 9138, 269 Trillium Dr., Kitchener, Ontario N2G 4W5**  
**Phone: 519-748-5470 • Fax: 888-606-5484**

## REPLACING AN OLD PUMP

**⚠️ WARNING** Hazardous voltage. Disconnect power to pump before working on pump or motor.

- Step 1. Drain and remove the old pump. Check the old pipe for scale, lime, rust, etc., and replace it if necessary.
- Step 2. Install the pump in the system. Make sure that all pipe joints in the suction pipe are air-tight as well as water tight. *If the suction pipe can suck air, the pump will not be able to pull water from the well.*
- Step 3. Adjust the pump mounting height so that the plumbing connections do not put a strain on the pump body. Support the pipe so that the pump body does not take the weight of piping or fittings.

**You have just completed the well plumbing for your new shallow well jet pump. Please go to Page 6 for discharge pipe and tank connections.**

## WELL POINT (DRIVEN POINT) INSTALLATION (FIGURE 1)

- Step 1. Drive the well, using “drive couplings” and a “drive cap”. “Drive fittings” are threaded all the way through and allow the pipe ends to butt against each other so that the driving force of the maul is carried by the pipe and not by the threads. The ordinary fittings found in hardware stores are not threaded all the way through the fitting and can collapse under impact. “Drive fittings” are also smoother than standard plumbing fittings, making ground penetration easier.

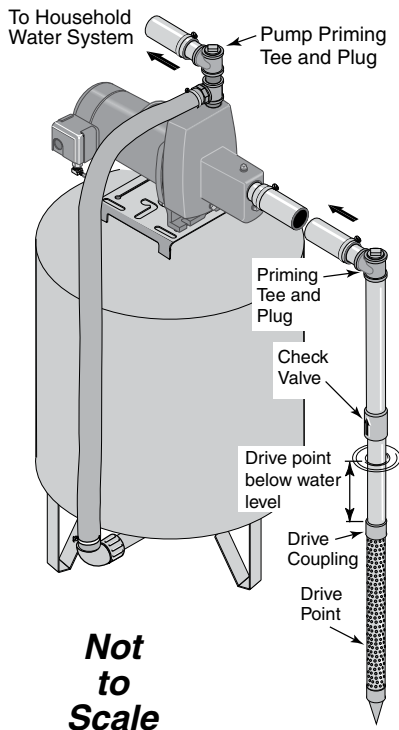


Figure 1: Driven Point Installation

- Step 2. Mount the pump as close to the well as possible

- Step 3. Use the fewest possible fittings (especially elbows) when connecting the pipe from the well point to the pump suction port. The suction pipe should be at least as large as the suction port on the pump (include a check valve if your pump is not equipped with one – see Figure 1). Support the pipe so that there are no dips or sags in the pipe, so it doesn't strain the pump body, and so that it slopes slightly upward from the well to the pump (high spots can cause air pockets which can air lock the pump). Seal the suction pipe joints with PTFE pipe thread sealant tape. Joints must be air- and water-tight. *If the suction pipe can suck air, the pump cannot pull water from the well.* If one well point does not supply enough water, consider connecting two or three well points to one suction pipe.

**You have just completed the suction piping for your new shallow well jet pump. Please go to Page 6 for discharge pipe and tank connections.**

## CASED WELL INSTALLATION, 2" OR LARGER CASING (FIGURE 2)

- Step 1. Mount the pump as close to the well as possible.
- Step 2. Assemble the foot valve, strainer, and well pipe (see Figure 2). Make sure that the foot valve works freely.

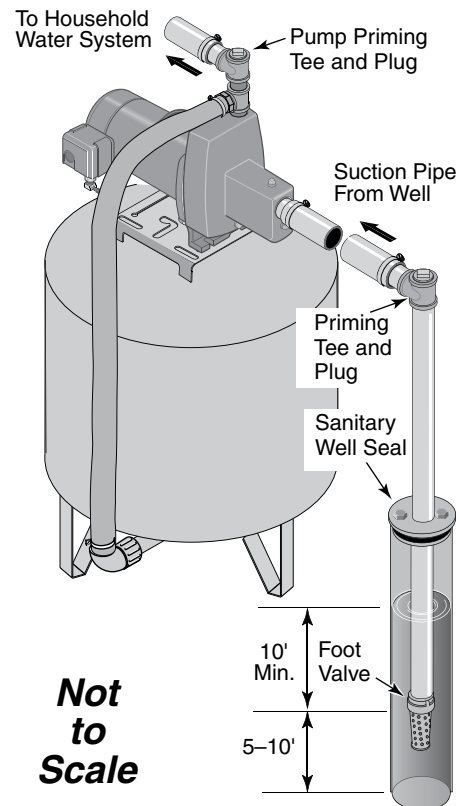


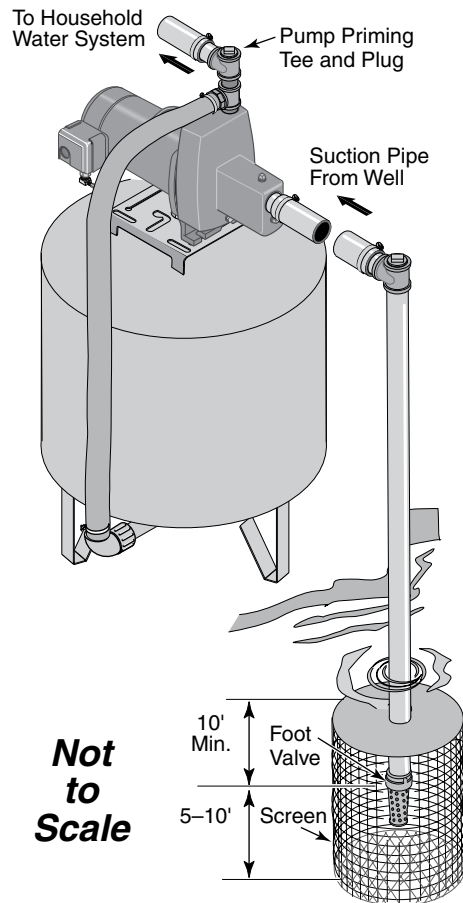
Figure 2: Cased Well Installation

- Step 3. Lower the pipe into the well until the strainer is five feet above the bottom of the well. It should also be at least 10 feet below the well's water level *while the pump is running* in order to prevent the pump from sucking air. Install a sanitary well seal.
- Step 4. Install a priming tee, priming plug, and suction pipe to the pump (see Figure 2). Connect the pipe from the well to the pump suction port, using the fewest possible fittings – especially elbows – as fittings increase friction in the pipe (however, include a foot valve – see Figure 2). The suction pipe should be at least as large as the suction port on the pump. Use PTFE pipe thread sealant tape on threaded pipe joints. Support the pipe so that there are no dips or sags in the pipe, so it doesn't strain the pump body, and so that it slopes slightly upward from the well to the pump (high spots can cause air pockets which can air lock the pump). Seal the suction pipe joints with PTFE pipe thread sealant tape. Joints must be air- and water-tight. *If the suction pipe can suck air, the pump cannot pull water from the well.*

**You have just completed the suction piping for your new shallow well jet pump. Please go to Page 6 for discharge pipe and tank connections.**

## INSTALLATION FOR SURFACE WATER (FIGURE 3)

- Step 1. The pump should be installed as close to the water as possible, with the fewest possible fittings (especially elbows) in the suction pipe. The suction pipe should be at least as large as the suction port on the pump.
- Step 2. Assemble a foot valve and suction pipe (see Figure 3). Make sure that the foot valve works freely. Use PTFE pipe thread sealant tape on threaded pipe joints. Protect the foot valve assembly from fish, trash, etc, by installing a screen around it (see Figure 3).



**Figure 3: Surface Water Installation**

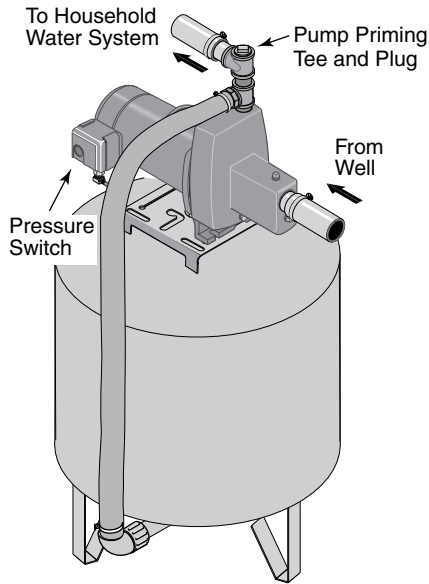
- Step 3. Lower the pipe into the water until the strainer is five feet above the bottom. It should also be at least 10 feet below the water level in order to prevent the pump from sucking air.
- Step 4. Install a priming tee, priming plug, and suction pipe to the pump (see Figure 3). Support the pipe so that there are no dips or sags in the pipe, so it doesn't strain the pump body, and so that it slopes slightly upward from the well to the pump (high spots can cause air pockets which can air lock the pump). Seal the suction pipe joints with PTFE pipe thread sealant tape. Joints must be air- and water-tight. *If the suction pipe can suck air, the pump cannot pull water from the well.*

**You have just completed the plumbing for your new shallow well jet pump. Please go to Page 6 for discharge pipe and tank connections.**

## PRE-CHARGE TANK CONNECTION

(FIGURE 4)

Step 1. Install two tees in the pump discharge port (see Figure 4). The pipe size must be at least as large as the discharge port.



**Figure 4: Pre-charged Tank Connections**

- Step 2. Run a pipe or reinforced hose from one arm of the first tee to the port on the pre-charged tank.
- Step 3. Connect the other end of the discharge tee to your plumbing system.
- Step 4. Check the pre-charge of air in the tank with an ordinary tire gauge. The pre-charge should be 2 PSI less than the cut-in setting of the pump's pressure switch. The pre-charge is measured *when there is no water pressure in the tank*. Your new pump has a 30/50 PSI switch, so adjust the tank pre-charge pressure to 28 PSI.\*

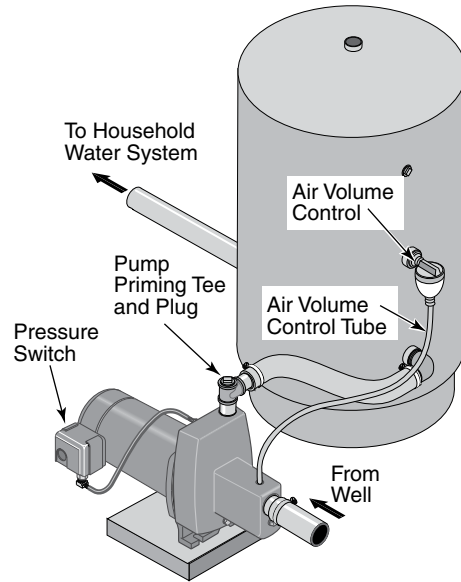
**Congratulations! You have just completed the tank connection for your jet pump.**

**Please go to Pages 7 and 8 for electrical hookup.**

## STANDARD TANK CONNECTION

(FIGURE 5)

Step 1. Install one tee in the pump discharge port (see Figure 5).



**Figure 5: Standard Tank Connections**

- Step 2. Run a pipe from the pump discharge port to the inlet port of your tank. The pipe size must be at least as large as the discharge port.
- Step 3. Remove the 1/8" NPT pipe plug from the pump Air Volume Control (AVC) port (see Figure 5). Run tubing from the pump's AVC port (see Figure 5) to the port on the AVC mounted on the tank. See instructions provided with tank and AVC for details. AVC port location will vary, depending on your pump model (see exploded views, Pages 10-11).

**Congratulations! You have just completed the tank connection for your jet pump.**

**Please go to Pages 7 and 8 for electrical hookup.**

### Sealing Pipe Joints

Use only PTFE pipe thread sealant tape for making all threaded connections to the pump itself. **Do not use pipe joint compounds on plastic pumps:** they can react with the plastic in pump components. Make sure that all pipe joints in the suction pipe are air tight as well as water tight. *If the suction pipe can suck air, the pump will not be able to pull water from the well.*

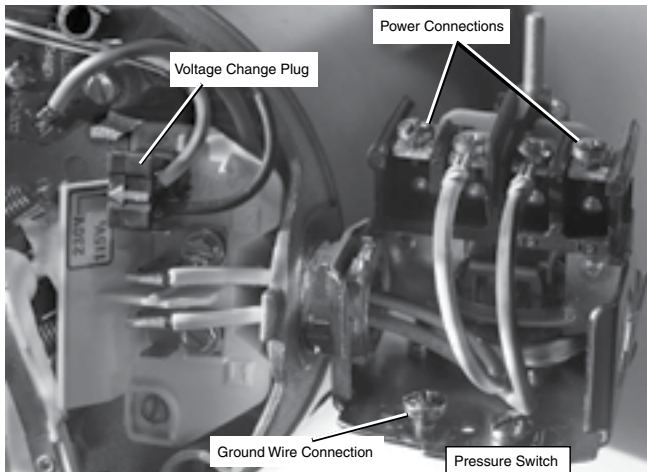
**⚠️ Disconnect power before working on pump, motor, pressure switch, or wiring.**

## MOTOR SWITCH SETTINGS

**NOTE:** 1/2 HP motors are wired for 115 volts only, and have no motor wiring to change. 3/4 HP or 1 HP motor terminal boards (located under the motor end cover) should look like one of those below. If the motor can operate at either 115 or 230 volts, it is set at the factory to 230 volts. Do not change motor wiring if line voltage is 230 volts, or if you have a single voltage motor.

**⚠️ CAUTION** Never wire a 115 volt motor to a 230 volt line.

### Plug Type Voltage Selector



**Figure 6: Voltage set to 230 volts, Plug Type**

Voltage is factory set to 230 volts. To change to 115 volts:

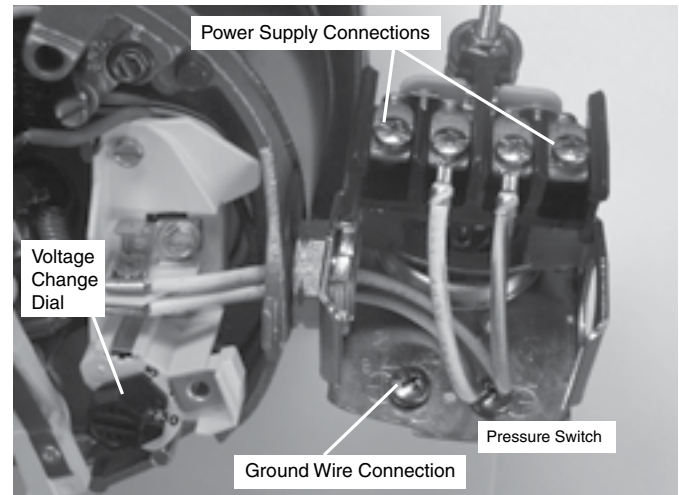
1. Make sure power is off.
2. Pull the voltage change plug off of the tabs.
3. Move the voltage change plug to the 115 volt position. The plug will now cover 2 metal tabs and the arrow on the plug will line up with the 115V arrow on the label (see Figure 7).



**Figure 7: Voltage set to 115 volts, Plug Type**

4. Attach the incoming power leads to the two outer screws on the pressure switch as shown in Figure 6.
5. Attach the ground wire to one of the grounding connections, shown in Figure 6.
6. If there are other wires, they should be capped.
7. Reinstall the Motor end cover.

### Dial Type Voltage Selector



**Figure 8: Voltage set to 230 volts, Dial Type**

Voltage is factory set to 230 volts. To change to 115 volts:

1. Make sure power is off.
2. Turn the dial counter-clockwise until 115 shows in the dial window as shown in Figure 9.



**Figure 9: Voltage set to 115 volts, Dial Type**

3. Attach the incoming power leads to the two outer screws on the pressure switch as shown in Figure 8.
4. Attach the ground wire to the grounding connections as shown in Figure 8.
5. If there are other wires, they should be capped.
6. Reinstall the Motor end cover.

**⚠️ WARNING** Hazardous voltage. Can shock, burn, or kill. Connect ground wire before connecting power supply wires. Use the wire size (including the ground wire) specified in the wiring chart. If possible, connect the pump to a separate branch circuit with no other appliances on it.

**⚠️ WARNING** Explosion hazard. Do not ground to a gas supply line.

## WIRING CONNECTIONS

**⚠️ WARNING** Fire hazard. Incorrect voltage can cause a fire or seriously damage the motor and voids the warranty. The supply voltage must be within ±10% of the motor nameplate voltage.

**NOTICE:** Dual-voltage motors are factory wired for 230 volts. If necessary, reconnect the motor for 115 volts, as shown. Do not alter the wiring in single voltage motors.

Install, ground, wire, and maintain your pump in compliance with the National Electrical Code (NEC) or the Canadian Electrical Code (CEC), as applicable, and with all local codes and ordinances that apply. Consult your local building inspector for code information.

### Connection Procedure:

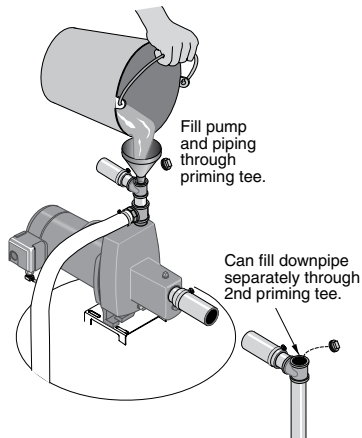
1. Connect the ground wire first as shown in Figure 7. The ground wire must be a solid copper wire at least as large as the power supply wires.
2. There must be a solid metal connection between the pressure switch and the motor for motor grounding protection. If the pressure switch is not connected to the motor, connect the green ground screw in the switch to the green ground screw under the motor end cover. Use a solid copper wire at least as large as the power supply wires.
3. Connect the ground wire to a grounded lead in a service panel, to a metal underground water pipe, to a metal well casing at least ten feet (3M) long, or to a ground electrode provided by the power company or the hydro authority.
4. Connect the power supply wires to the pressure switch as shown in Figure 8, Page 7.

**Wiring Chart – Recommended Wire and Fuse Sizes**

Model	Motor HP	Volts	Max. Load Amp	Branch Fuse Rating Amp	DISTANCE IN FEET(METERS) FROM MOTOR TO SUPPLY				
					0 - 100 (0 - 30)	101 - 200 (31 - 61)	201 - 300 (62 - 91)	301 - 400 (92 - 122)	401 - 500 (123 - 152)
					AWG WIRE SIZE (mm <sup>2</sup> )				
MPNC	1/2	115	9.4	15	14(2)	10(5.5)	10(5.5)	6(14)	6(14)
MPND	3/4	115/230	12.2/6.1	20/15	12/14(3/2)	10/14(5.5/2)	8/14(8.4/2)	6/12(14/3)	6/12(14/3)
MFNC	1/2	115/230	8.8/4.4	15/15	14/14(2/2)	12/14(3/2)	10/14(5.5/2)	8/14(8.4/2)	8/12(8.4/3)
MFND	3/4	115/230	12.4/6.2	20/15	12/14(3/2)	10/14(5.5/2)	8/14(8.4/2)	6/12(14/3)	6/12(14/3)



## PREPARING TO START THE PUMP



**Figure 10: Prime the Pump**

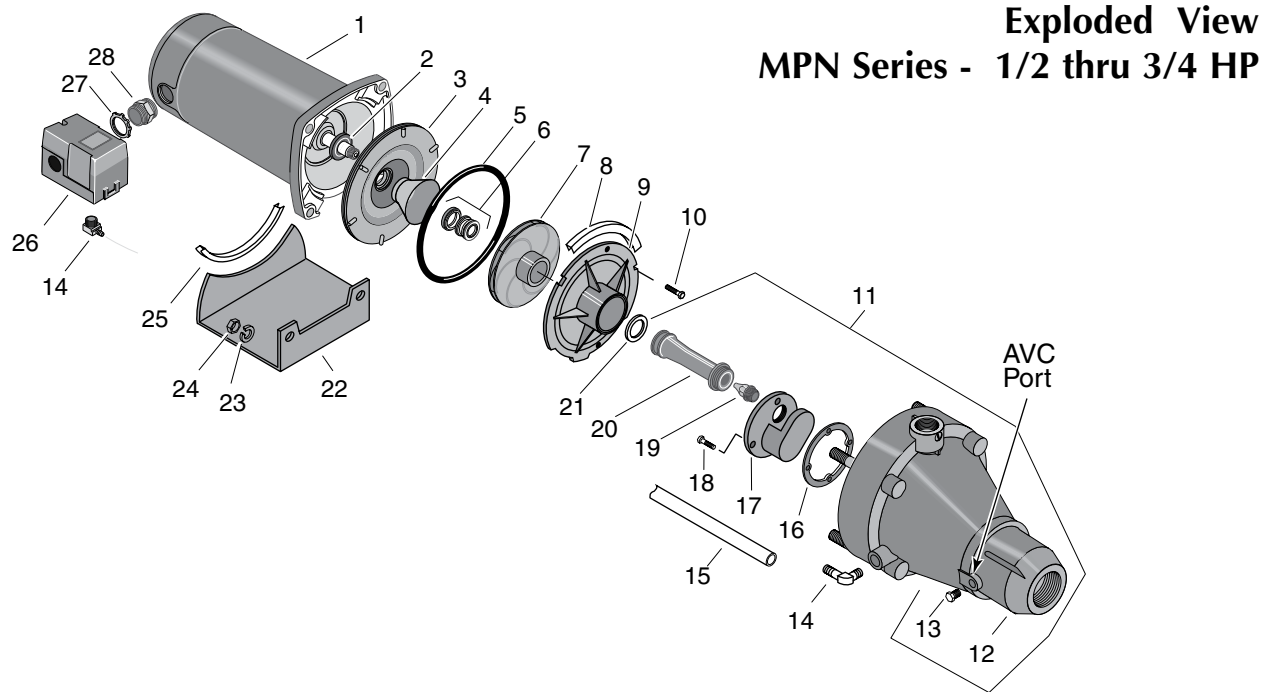
**⚠ CAUTION** Never run pump dry. Running pump without water may cause pump to overheat, damaging seal and possibly causing burns to persons handling pump. Fill pump with water before starting.

**⚠ WARNING** Never run pump against closed discharge. To do so can boil water inside pump, causing hazardous pressure in unit, risk of explosion and possibly scalding persons handling pump.

1. Remove the priming plug from the priming tee and fill the pump. Fill all piping between the pump and the well and make sure that all piping in the well is full. If you have also installed a priming tee in the suction piping, remove the plug from the tee and fill the suction piping. See Figure 10.
2. Replace all fill plugs.
3. **Power on!** Start the pump. If you don't have water after 2 or 3 minutes, stop the pump and remove the fill plugs. Refill the pump and piping. You may have to repeat this several times in order to get all the trapped air out of the piping. A pump lifting water 25' may take as long as 15 minutes to prime.
4. After the pump has built up pressure in the system and shut off, check the pressure switch operation by opening a faucet or two and running enough water out to bleed off pressure until the pump starts. The pump should start when pressure drops to 30 PSI and stop when pressure reaches 50 PSI. Run the pump through one or two complete cycles to verify correct operation. This will also help clean the system of dirt and scale dislodged during installation.

### Congratulations on a successful installation.

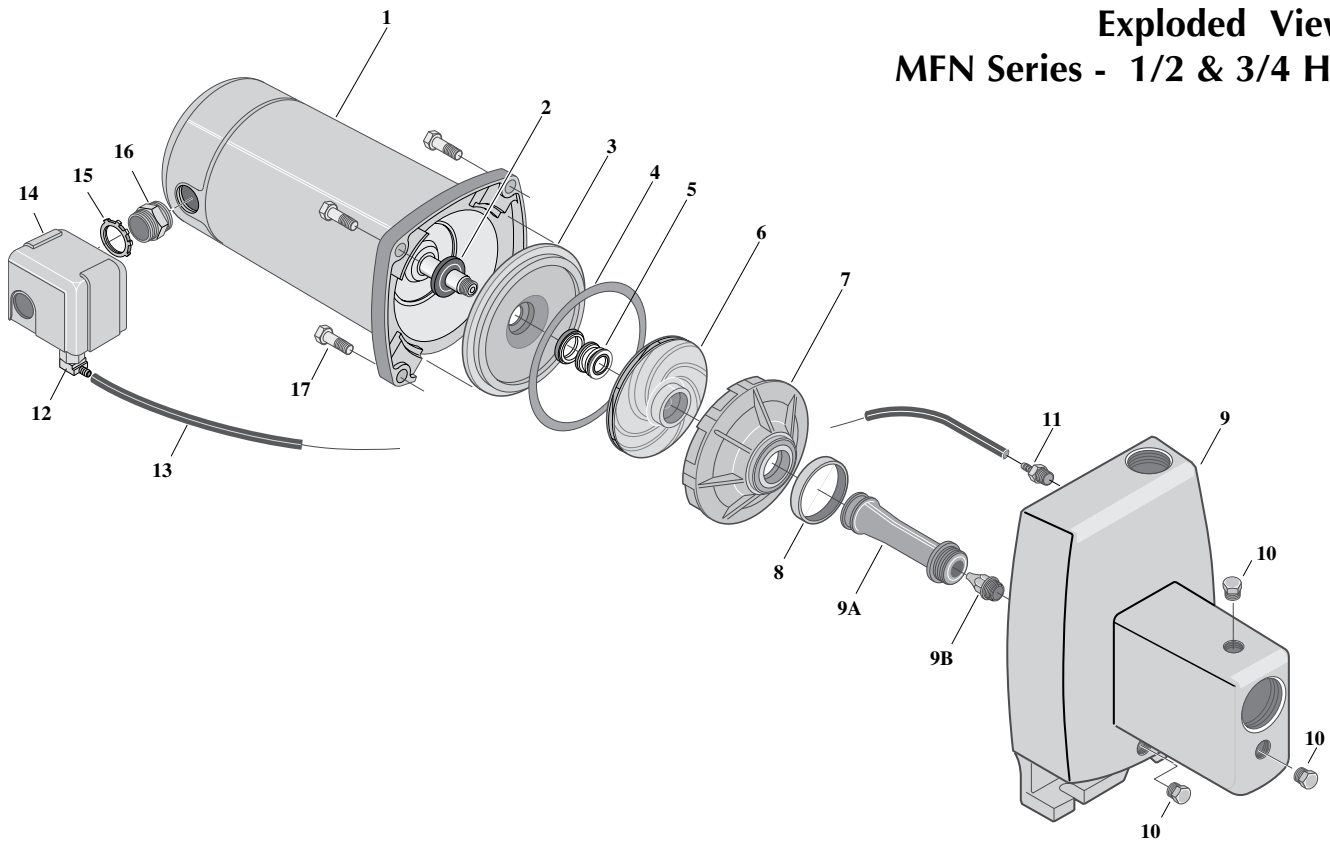
If you were unsuccessful, please refer to the Troubleshooting section (Page 12).



REPAIR PARTS LIST

Key No.	Part Description	Qty.	115/230V, 1/2 HP MPNC	115/230V, 3/4 HP MPND
1	Motor	1	J218-582APKG	J218-590PKG
2	Water Slinger	1	17351-0009	17351-0009
3	Seal Plate Assembly (Incl. #5)	1	N103-12PSS	N103-12PSS
4	Stainless Steel Insert	1	J3-2SS	J3-2SS
5	O-Ring	1	U9-390	U9-390
6	Shaft Seal	1	U109-6A	U109-6A
7	Impeller	1	J105-40PF	J105-42PTB
8	Rubber Pad	1	C35-41	C35-41
9	Diffuser	1	N1-28P	N1-28P
10	Capscrew #10-16 Hex Head	2	U30-738SS	U30-738SS
11	Pump Body Ass'y. (incl. #12 thru #18)	1	N176-35P	N176-35PA
12	Pump Body	1	N76-35P	N76-35P
13	Pipe Plug 1/8" NPT Taped	1	WC78-41T	WC78-41T
14	Compression Elbow 1/4" NPT	2	U111-218P	U111-218P
15	Switch Tube	1	U37-669P	U37-669P
16	Gasket - Plastic	1	J20-18	J20-18
17	Tank Jet Body Insert	1	N76-29P	N76-29P
18	Capscrew #10-16	4	U30-742SS	U30-742SS
19	Nozzle	1	N34P-17	N34P-19
20	Venturi	1	N32P-78	N32P-66
21	O-Ring	1	U9-201	U9-201
22	Base Assembly Painted	1	J104-9F	J104-9F
23	Lock Washer 3/8"	4	U43-12ZP	U43-12ZP
24	Nut 3/8-16	4	U36-38ZP	U36-38ZP
25	Rubber Pad	1	C35-5	C35-5
26	Pressure Switch	1	U217-1219	U217-1219
27	Locknut 1/2"	1	U36-112ZP	U36-112ZP
28	Connector 1/2"	1	L43-5C	L43-5C

## Exploded View MFN Series - 1/2 & 3/4 HP

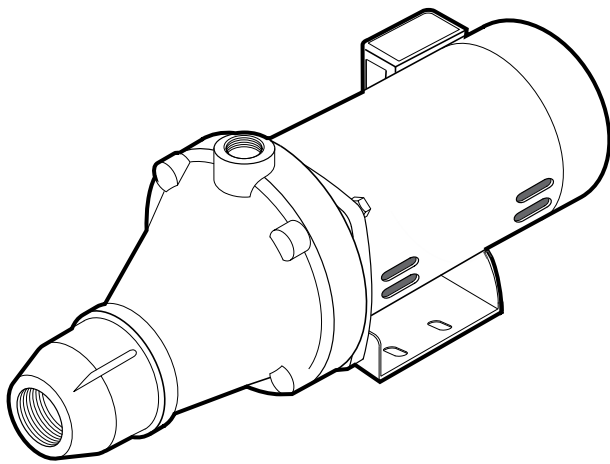
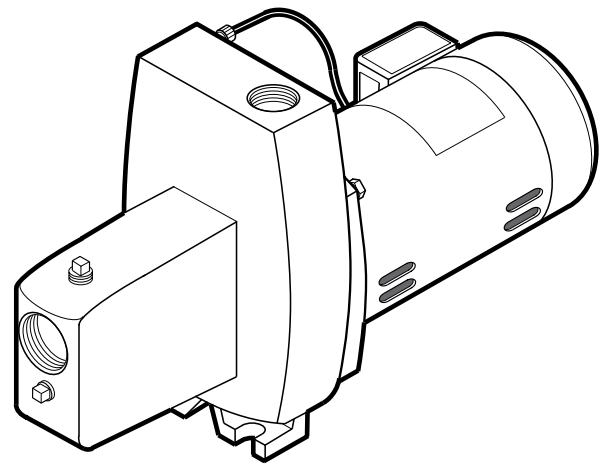


### REPAIR PARTS LIST

Key No.	Part Description	Qty.	MFND 3/4 HP	MFNC 1/2 HP
1	Motor (-L)	1	J218-590PKG	J218-582APKG
2	Water Slinger	1	17351-0009	17351-0009
3	Seal Plate Assembly	1	N3-9	N3-9
4	Gasket, Seal Plate	1	N20-35	N20-35
5	Shaft Seal	1	U109-6A	U109-6A
6	Impeller	1	J105-42P	J105-40PH
7	Volute Diffuser	1	L1-25P	L1-25P
8	Gasket, Diffuser	1	N20-34	N20-34
9	Pump Body Assembly	1	N176-38F	N176-38
9A	Venturi	(1)	N32P-75	N32P-66
9B	Nozzle	(1)	N34P-21 (#47)	N34P-17 (#43)
10	Pipe Plug, 1/4" NPT Hex Hd.	3	†	†
11	Barbed Fitting, 1/4" NPT	1	U111-211T	U111-211T
12	Barbed Elbow, 1/4" NPT	1	U111-212T	-
13	Tube, 1/4"x14-1/2"	1	U37-672P	U37-672P
14	Pressure Switch	1	U217-1225	U217-1202
15	Locknut, 1/2"	1	U36-112ZP	U36-112ZP
16	Connector	1	L43-5C	L43-5C
17	Capscrew 3/8-16x1-1/4" Lg. Hex Hd.	4	†	†

† Standard hardware item; purchase locally.

SYMPTOM	POSSIBLE CAUSE(S)	CORRECTIVE ACTION
Motor will not run	<p>Disconnect switch is off Fuse is blown or circuit breaker tripped Starting switch is defective Wires at motor are loose, disconnected, or wired incorrectly</p> <p>Pressure switch contacts are dirty</p>	<p>Be sure switch is on. Replace fuse or reset circuit breaker. DISCONNECT POWER; Replace starting switch. Refer to instructions on wiring (Page 7). DISCONNECT POWER; check and tighten all wiring.</p> <p><b>⚠ WARNING</b> Capacitor voltage may be hazardous. To discharge capacitor, hold insulated handle screwdriver BY THE HANDLE and short capacitor terminals together. Do not touch metal screwdriver blade or capacitor terminals. If in doubt, consult a qualified electrician. DISCONNECT POWER and file contacts with emery board or nail file.</p>
Motor runs hot and overload kicks off	<p>Motor is wired incorrectly Voltage is too low</p> <p>Pump cycles too frequently</p>	<p>Refer to instructions on wiring. Check with power company. Install heavier wiring if wire size is too small (See Electrical / Wiring Chart). See section below on too frequent cycling.</p>
<p>Motor runs but no water is delivered*</p> <p>* (Note: <i>Stop pump</i>; then check prime before looking for other causes. Unscrew priming plug and see if water is in priming hole).</p>	<p>Pump in new installation did not pick up prime through: 1. Improper priming 2. Air leaks</p> <p>3. Leaking foot valve or check valve Pump has lost prime through: 1. Air leaks 2. Water level below suction pipe inlet</p> <p>Foot valve or strainer is plugged Ejector or impeller is plugged Check valve or foot valve is stuck shut Pipes are frozen Foot valve and/or strainer are buried in sand or mud Water level is too low for shallow well setup to deliver water</p>	<p>In new installation:</p> <ol style="list-style-type: none"> <li>1. Re-prime according to instructions.</li> <li>2. Check all connections on suction line, AVC, and ejector with soapy water or shaving cream.</li> <li>3. Replace foot valve or check valve.</li> </ol> <p>In installation already in use:</p> <ol style="list-style-type: none"> <li>1. Check all connections on suction line and shaft seal.</li> <li>2. Lower suction line into water and re-prime. If receding water level in well exceeds 25' (7.6M), a deep well pump is needed.</li> </ol> <p>Clean foot valve or strainer. Clean ejector or impeller. Replace check valve or foot valve. Thaw pipes. Bury pipes below frost line. Heat pit or pump house. Raise foot valve and/or strainer above bottom of water source. Clean foot valve and strainer. A deep well jet package may be needed (over 25 ft. to water) to deliver water.</p>
Pump does not deliver water to full capacity	<p>Water level in well is lower than estimated Steel piping (if used) is corroded or limed, causing excess friction Piping is too small in size Packed well point</p>	<p>A deep well jet will be needed if your well is more than 25' (7.6M) depth to water. Replace with plastic pipe where possible, otherwise with new steel pipe.</p> <p>Use larger piping. Backflush well point or sink new point.</p>
Pump delivers water but does not shut off or pump cycles too frequently	<p>Pressure switch is out of adjustment or contacts are welded together Faucets have been left open Venturi, nozzle or impeller is clogged Standard pressure tank is waterlogged and has no air cushion Pipes leak Foot valve leaks Air charge too low in pre-charged tank</p>	<p>DISCONNECT POWER; adjust or replace pressure switch.</p> <p>Close faucets. Clean venturi, nozzle or impeller. Drain tank to air volume control port. Check AVC for defects. Check all connections for air leaks. Check connections. Replace foot valve. DISCONNECT POWER and open faucets until all pressure is relieved. Using tire pressure gauge, check air pressure in tank at valve stem located on the tank. If less than pressure switch cut-in setting (30-50 PSI), pump air into tank from outside source until air pressure is 2 PSI less than cut-in setting of switch. Check air valve for leaks (use soapy solution) and replace core if necessary.</p>
Air spurts from faucets	<p>Pump is picking up prime Leak in suction side of pump Well is gaseous Intermittent over-pumping of well. (Water drawn down below foot valve.)</p>	<p>When pump has picked up prime, it should pump solid water with no air. Suction pipe is sucking air. Check joints for leaks with soapy water. Consult factory about installing a sleeve in the well Lower foot valve if possible, otherwise restrict pump discharge</p>

**MYERS®****Série MPN****Série MFN****Installation/Fonctionnement/Pièces**

Pour plus de renseignements concernant  
l'utilisation, l'installation ou l'entretien,

**Composer le 1 (888) 987-8677**

## LIRE ET OBSERVER TOUTES CES CONSIGNES DE SÉCURITÉ !

**⚠** Ce symbole indique qu'il faut être prudent. Lorsque ce symbole apparaît sur la pompe ou dans cette Notice, rechercher une des mises en garde qui suivent, car elles indiquent un potentiel possible de blessures corporelles.

**⚠ DANGER** avertit d'un danger qui causera des blessures corporelles, la mort ou des dommages matériels importants si on l'ignore.

**⚠ AVERTISSEMENT** avertit d'un danger qui risque de causer des blessures corporelles, la mort ou des dommages matériels importants si on l'ignore.

**⚠ ATTENTION** avertit d'un danger qui causera ou qui risquera de causer des blessures corporelles, la mort ou des dommages matériels importants si on l'ignore.

Le mot **REMARQUE** indique des instructions spéciales et importantes n'ayant aucun rapport avec les dangers.

**Lire et observer attentivement toutes les consignes de sécurité contenues dans cette Notice et collées sur la pompe.**

Garder en bon état les autocollants relatifs aux consignes de sécurité.

Remplacer ceux manquants ou endommagés.

### Avertissement lié à la Proposition 65 de la Californie

**⚠ AVERTISSEMENT** Ce produit et les accessoires connexes contiennent des produits chimiques reconnus dans l'État de la Californie comme pouvant provoquer des cancers, des anomalies congénitales ou d'autres dangers relatifs à la reproduction.

**⚠ AVERTISSEMENT**



**Tension dangereuse. Risque de secousses électriques, de brûlures, voire de mort.**

Mettre à la terre la pompe avant de la brancher sur le courant électrique. Avant d'intervenir sur la pompe, le moteur ou le réservoir, couper le courant qui les alimente.

**⚠** Câbler le moteur en fonction de la bonne tension. Se reporter à la rubrique « Électricité » de cette Notice et à la plaque signalétique du moteur.

**⚠** Mettre à la terre le moteur avant de le brancher sur le courant électrique.

**⚠** Conforme au National Electrical Code, au Code canadien de l'électricité et aux codes de la municipalité en ce qui concerne tous les câblages.

**⚠** Respecter les instructions de câblage figurant dans cette Notice pour brancher le moteur sur le courant électrique.

## CONSIGNES DE SÉCURITÉ ÉLECTRIQUES

**⚠ AVERTISSEMENT** La tension des condensateurs peut être dangereuse. Pour décharger le condensateur du moteur, tenir un tournevis à manche isolé **PAR LE MANCHE** et mettre en court-circuit les bornes du condensateur. Ne pas toucher la lame métallique du tournevis ni les bornes du condensateur. En cas de doute, consulter un électricien qualifié.

## CONSIGNES DE SÉCURITÉ GÉNÉRALES

**⚠ ATTENTION** Ne pas toucher un moteur qui fonctionne. Les moteurs modernes sont conçus pour fonctionner par des températures élevées. Pour ne pas se brûler lorsque l'on intervient sur la pompe, la laisser refroidir pendant 20 minutes après l'avoir arrêtée avant de la manipuler.

Ne pas laisser geler la pompe ni aucun composant du système, sinon la garantie sera annulée.

Ne pomper que de l'eau avec cette pompe.

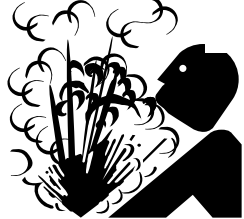
Périodiquement, inspecter la pompe et tous les composants du système.

Toujours porter des lunettes de sécurité pour intervenir sur la pompe et les composants du système.

Garder la zone de travail propre, non encombrée et bien éclairée; tous les outils et tout l'équipement non utilisés doivent être entreposés adéquatement.

Ne laisser personne s'approcher de la zone de travail.

**⚠ AVERTISSEMENT** Pression dangereuse. La pompe peut exploser si elle est utilisée en tant que pompe de surpression, à moins de poser une soupape de sûreté tarée à 517 kPa (75 lb/po<sup>2</sup>) dont les orifices seront assez grands pour laisser passer le débit maximum de la pompe.



**⚠ AVERTISSEMENT**

**Pression dangereuse!**

**Poser une soupape de sûreté sur le tuyau de refoulement.**

Dissiper toute la pression du système avant d'intervenir sur un de ses composants.

	Page
Consigne de sécurité générale .....	2
Garantie.....	3
Installation (de la pompe de puits).....	4 et 5
Branchement de la tuyauterie de refoulemen .....	6
Électricité.....	7 et 8
Préparation avant de démarrer la pompe.....	9
Pièces de rechange .....	10 et 11
Recherche des pannes .....	12

## Garantie limitée

F.E. MYERS garantit au consommateur initial (ci-après appelé l'« Acheteur ») que les produits énumérés dans les présentes sont exempts de défaut de matériau et de fabrication pendant la durée de la garantie à compter de la durée des garanties indiquées ci-dessous.

Produits	Durée des garanties
Pompes à éjecteur, petites pompes centrifuges, pompes submersibles et tous les accessoires connexes	<i>Selon le premier terme atteint :</i> 12 mois à compter de la date de la première installation ou 18 mois à compter de la date de fabrication
Réservoirs en fibre de verre	5 ans à compter de la date de la première installation
Réservoirs sous pression en acier	5 ans à compter de la date de la première installation
Produits de puisard/d'égout/d'effluents	12 mois à compter de la date de la première installation ou 24 mois à compter de la date de fabrication

Nos garanties ne s'appliquent pas aux produits ayant fait l'objet de négligence, d'une mauvaise utilisation, d'une mauvaise installation ou d'un manque d'entretien adéquat. Sans aucune limitation des présentes, la garantie des moteurs triphasés submersibles sera nulle et non avenue si ces moteurs sont branchés et fonctionnent sur le courant monophasé par l'intermédiaire d'un déphaseur. Il faut également noter que les moteurs triphasés doivent être protégés par un relais de surcharge tripolaire thermocompensé à déclenchement extrêmement rapide du calibre recommandé, sinon la garantie sera nulle et non avenue.

Le seul recours de l'Acheteur et la seule responsabilité de F.E. MYERS consistent à réparer ou à remplacer (au choix de F.E. MYERS) les produits qui se révéleraient défectueux. L'Acheteur s'engage à payer tous les frais de main d'œuvre et d'expédition du produit couvert par sa garantie et de s'adresser au concessionnaire-installateur ayant procédé à l'installation dès qu'un problème est découvert pour obtenir un service sous garantie. Aucune demande de service en vertu de sa garantie ne sera acceptée après expiration de la durée de sa garantie. Ces garanties ne sont pas transférables.

F.E. MYERS DÉCLINE TOUTE RESPONSABILITÉ POUR TOUT DOMMAGE INDIRECT OU FORTUIT QUEL QU'IL SOIT.

LA GARANTIE LIMITÉE SUSMENTIONNÉE EST EXCLUSIVE ET REMPLACE TOUTES LES AUTRES GARANTIES EXPRESSES ET TACITES, Y COMPRIS, MAIS SANS S'Y LIMITER, LES GARANTIES DE QUALITÉ MARCHANDE ET D'ADAPTATION À UN USAGE PARTICULIER. LA GARANTIE LIMITÉE SUSMENTIONNÉE NE DOIT PAS ÊTRE PROLONGÉE AU-DELÀ DE LA DURÉE PRÉVUE AUX PRÉSENTES.

Certains états, territoires et certaines provinces ne permettent pas l'exclusion ou la limitation des dommages indirects ou fortuits, ni les limitations relatives à la durée des garanties tacites. Par conséquent, il se peut que les limitations ou les exclusions stipulées dans les présentes ne s'appliquent pas dans ce cas. Ces garanties accordent des droits juridiques précis, bien que l'on puisse bénéficier d'autres droits, selon la province, le territoire ou l'état dans lequel on réside.

La présente garantie limitée est entrée en vigueur le 1er juin 2011 et remplace toute garantie non datée ou antérieure à cette date.

### F.E. MYERS

293 Wright Street, Delavan, WI 53115

Tél. : 888-987-8677 • Téléc. : 800-426-9446 • [www.femyers.com](http://www.femyers.com)

Au Canada : P. O. Box 9138, 269 Trillium Dr., Kitchener, Ontario N2G 4W5

Tél.: 519-748-5470 • Téléc.: 888-606-5484

## REPLACEMENT DE LA POMPE EXISTENTE

**⚠ AVERTISSEMENT** Tension dangereuse. Avant d'intervenir sur la pompe ou le moteur, couper le courant qui les alimente.

1. Vider toute l'eau de l'ancienne pompe avant de la déposer. Vérifier la tuyauterie à la recherche de dépôts de tartre, de chaux, de rouille, etc. Remplacer la tuyauterie au besoin.
2. Brancher la pompe sur le système. S'assurer que tous les raccords du tuyau d'aspiration sont bien étanches, aussi bien à l'air qu'à l'eau. *Si le tuyau d'aspiration aspire de l'air, la pompe ne pompera pas l'eau du puits.*
3. Régler la hauteur de montage de la pompe de façon que les raccords de plomberie n'exercent aucune contrainte sur le corps de la pompe. Supporter les tuyaux de façon que le corps de la pompe ne supporte pas le poids de la tuyauterie, ni celui des raccords.

**Le branchement de la tuyauterie du puits sur la pompe à éjecteur pour puits peu profond neuve est maintenant terminé. Se reporter à la page 6 pour procéder aux branchements du tuyau de refoulement et du réservoir.**

## BRANCHEMENT SUR UNE POINTE FILTRANTE (FIGURE 1)

1. Enfoncer la pointe filtrante dans le sol en utilisant des « raccords d'enfoncement » et des « chapeaux de battage ». Les « raccords d'enfoncement » sont filetés sur toute leur longueur, ce qui permet aux extrémités des tuyaux de venir en butée l'une contre l'autre. Ainsi, la force d'enfoncement du maillet sera absorbée par le tuyau et non par les filets. Les raccords ordinaires que l'on trouve dans les quincailleries ne sont pas filetés sur toute leur longueur et ils risquent de s'écraser sous l'impact des coups. Les « raccords d'enfoncement » sont également plus lisses que les raccords de plomberie standard. Ils pénètrent donc plus facilement dans le sol.

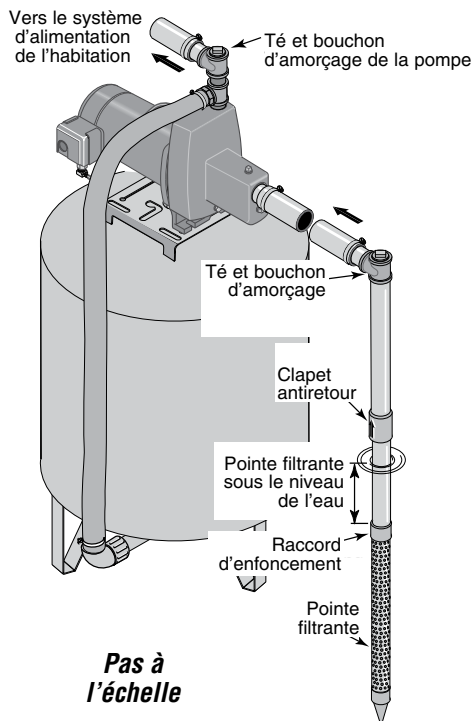


Figure 1 : Branchement sur une pointe filtrante

2. Installer la pompe aussi près que possible du puits.
3. Utiliser le moins possible de raccords (en particulier de coudes) pour brancher le tuyau de la pointe filtrante sur l'orifice d'aspiration de la pompe. Le diamètre du tuyau d'aspiration doit être au moins aussi grand que celui de l'orifice d'aspiration de la pompe (ajouter un clapet antiretour si la pompe n'en comporte pas. (Se reporter à la Figure 1). Supporter le tuyau de façon qu'il ne fléchisse pas et qu'il n'exerce pas de contrainte sur le corps de la pompe. L'incliner aussi légèrement en montant vers la pompe (les points hauts risquent de causer des poches d'air, lesquelles peuvent causer des bouchons d'air dans la pompe). Rendre étanches les joints du tuyau d'aspiration avec du ruban d'étanchéité en PTFE pour filetage. Ils doivent être étanches à l'air et à l'eau. Si le tuyau d'aspiration aspire de l'air, la pompe ne pompera pas l'eau du puits. Si une pointe filtrante ne fournit pas suffisamment d'eau, considérer en brancher deux ou trois sur un même tuyau d'aspiration.

**Le branchement du tuyau d'aspiration sur la pompe à éjecteur pour puits peu profond neuve est maintenant terminé. Se reporter à la page 6 pour procéder aux branchements du tuyau de refoulement et du réservoir.**

## BRANCHEMENT SUR UN PUIT TUBÉ DE 2 POUCES DE DIAMÈTRE OU PLUS (FIGURE 2)

1. Installer la pompe aussi près que possible du puits.
2. Brancher ensemble le clapet de pied, la crépine et le tuyau du puits (Se reporter à la Figure 2). S'assurer que le clapet de pied fonctionne librement.

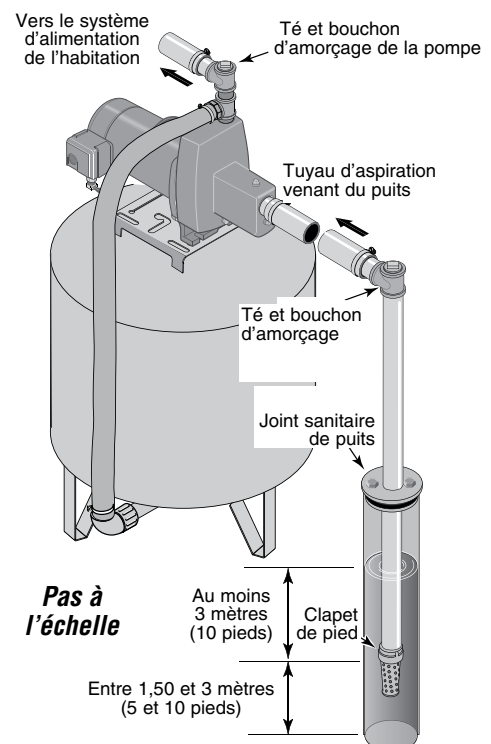
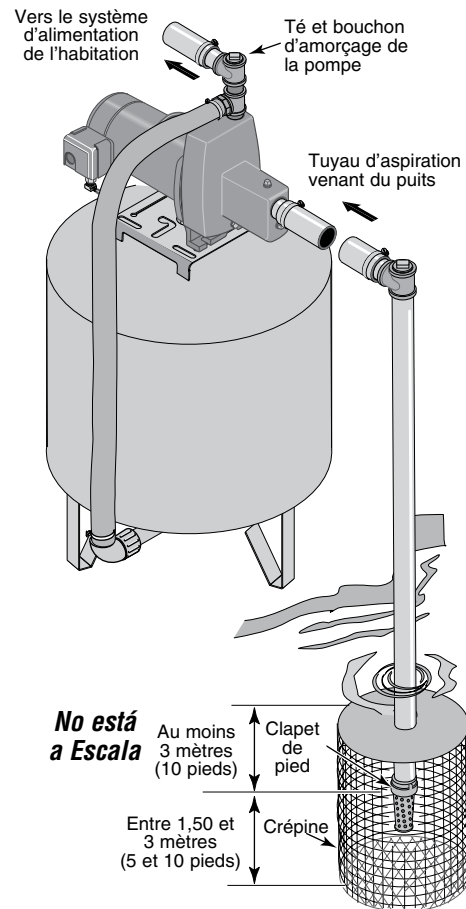


Figure 2 : Branchement sur un puits tubé



3. Abaisser le tuyau dans le puits jusqu'à ce que la crépine soit à 1,50 mètre (5 pieds) du fond du puits. Pour que la pompe n'aspire pas d'air, la crépine doit être au moins à 3 mètres (10 pieds) sous le niveau de l'eau du puits pendant qu'elle fonctionne. Poser un joint sanitaire sur le puits.
4. Poser un té et un bouchon d'amorçage sur la pompe, puis brancher le tuyau d'aspiration sur la pompe. (Se reporter à la Figure 2). Brancher le tuyau du puits sur l'orifice d'aspiration de la pompe en utilisant le moins possible de raccords - en particulier de coudes - étant donné qu'ils augmentent le frottement de l'eau dans le tuyau. (Il faut toutefois inclure un clapet de pied. Se reporter à la Figure 2). Le diamètre du tuyau d'aspiration doit être au moins aussi grand que celui de l'orifice d'aspiration de la pompe. Utiliser du ruban d'étanchéité en PTFE pour filetage sur les raccords de tuyaux filetés. Supporter le tuyau de façon qu'il ne fléchisse pas et qu'il n'exerce pas de contrainte sur le corps de la pompe. De plus, il doit être légèrement incliné en montant vers la pompe (les points hauts risquent de causer des poches d'air, lesquelles peuvent causer des bouchons d'air dans la pompe). Rendre étanches les joints du tuyau d'aspiration avec du ruban d'étanchéité en PTFE pour filetage. Les raccords doivent être étanches à l'air et à l'eau. *Si le tuyau d'aspiration aspire de l'air, la pompe ne pompera pas l'eau du puits.*

**Le branchement du tuyau d'aspiration sur la pompe à éjecteur pour puits peu profond neuve est maintenant terminé. Se reporter à la page 6 pour procéder aux branchements du tuyau de refoulement et du réservoir.**



**Figure 3: Branchement sur une eau de surface**

## BRANCHEMENT POUR POMPER DE L'EAU DE SURFACE (FIGURE 3)

1. Installer la pompe aussi près que possible du point d'eau en utilisant le moins possible de raccords (en particulier de coudes) sur le tuyau d'aspiration. Le diamètre du tuyau d'aspiration doit être au moins aussi grand que celui de l'orifice d'aspiration de la pompe.
2. Brancher ensemble le clapet de pied et le tuyau d'aspiration. S'assurer que le clapet de pied fonctionne librement. Utiliser du ruban d'étanchéité en PTFE pour filetage sur les raccords de tuyaux filetés. Poser une crépine autour du clapet de pied pour le protéger contre les poissons, les débris, etc. (Se reporter à la Figure 3).
3. Abaisser le tuyau dans le puits jusqu'à ce que la crépine soit à 1,50 mètre (5 pieds) du fond du puits. Pour que la pompe n'aspire pas d'air, la crépine doit être au moins à 3 mètres (10 pieds) sous le niveau de l'eau du puits pendant que la pompe fonctionne.
4. Poser un té et un bouchon d'amorçage sur la pompe, puis brancher le tuyau d'aspiration sur la pompe. (Se reporter à la Figure 3). Supporter le tuyau de façon qu'il ne fléchisse pas et qu'il n'exerce pas de contrainte sur le corps de la pompe. L'incliner aussi légèrement en montant vers la pompe (les points hauts risquent de causer des poches d'air, lesquelles peuvent causer des bouchons d'air dans la pompe). Rendre étanches les joints du tuyau d'aspiration avec du ruban d'étanchéité en PTFE pour filetage. Les raccords doivent être étanches à l'air et à l'eau. *Si le tuyau d'aspiration aspire de l'air, la pompe ne pompera pas l'eau du puits.*

**Le branchement de la tuyauterie sur la pompe à éjecteur pour puits peu profond neuve est maintenant terminé. Se reporter à la page 6 pour procéder aux branchements du tuyau de refoulement et du réservoir.**

## BRANCHEMENT SUR UN RÉSERVOIR PRÉCHARGÉ

(FIGURE 4)

1. Poser deux té sur l'orifice de refoulement de la pompe. (Se reporter à la Figure 4). Le diamètre du tuyau doit être au moins aussi grand que celui de l'orifice de refoulement.

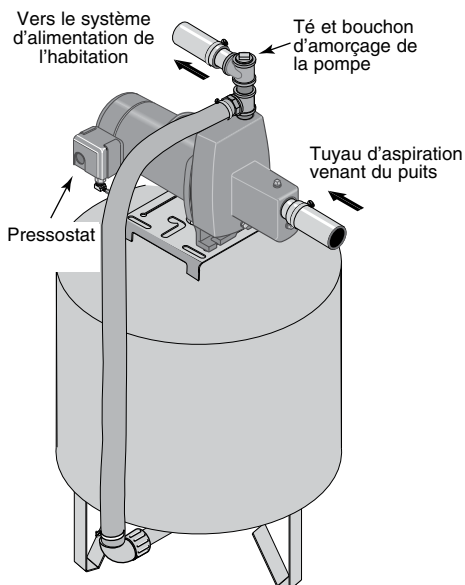


Figure 4: Branchement sur un réservoir préchargé

2. Brancher un tuyau rigide ou souple renforcé entre l'orifice du premier té et celui du réservoir préchargé.
3. Brancher l'autre extrémité du té de refoulement sur le tuyau.
4. Vérifier la précharge d'air du réservoir à l'aide d'un manomètre pour pneus. Elle doit être de 14 kPa (2 lb/po<sup>2</sup>) inférieure au réglage de la pression de démarrage à laquelle le pressostat de la pompe est réglé. La précharge se mesure lorsqu'il n'y a pas de pression d'eau dans le réservoir. Cette pompe neuve est équipée d'un pressostat qui fonctionne automatiquement entre 207 et 345 kPa (30 et 50 lb/po<sup>2</sup>) de façon qu'il y ait toujours une pression de précharge de 193 kPa (28 lb/po<sup>2</sup>) dans le réservoir.

**Félicitations ! Le branchement de la pompe à éjecteur sur le réservoir est maintenant terminé.**

Se reporter aux pages 7 et 8 pour les branchements électriques.

## BRANCHEMENT SUR UN RÉSERVOIR STANDARD

(FIGURE 5)

1. Poser un té sur l'orifice de refoulement de la pompe. (Se reporter à la Figure 5).

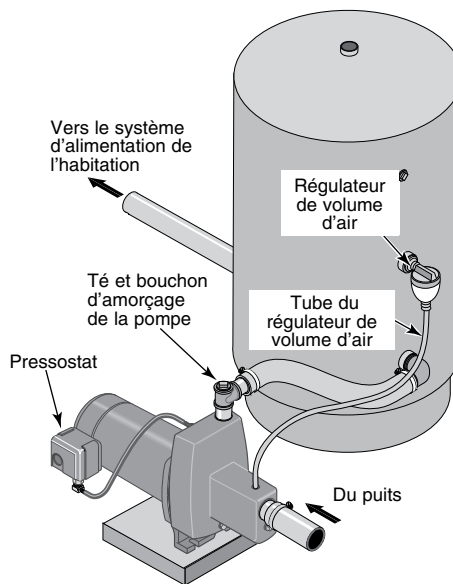


Figure 5: Branchement sur un réservoir standard

2. Brancher un tuyau entre l'orifice de refoulement de la pompe et celui de l'arrivée du réservoir. Le diamètre du tuyau doit être au moins aussi grand que celui de l'orifice de refoulement.
3. Déposer le bouchon fileté de 1/8 de pouce NPT de l'orifice du régulateur de volume d'air de la pompe. (Se reporter à la Figure 5). Brancher le tube du régulateur d'air entre l'orifice de la pompe et celui du réservoir. (Se reporter à la Figure 5). Pour de plus amples détails, se reporter aux instructions livrées avec le réservoir et le régulateur de volume d'air. En fonction du modèle de pompe, l'emplacement de l'orifice du régulateur de volume d'air ne se trouve pas toujours au même endroit. (Se reporter aux vues éclatées des pages 10 et 11).

**Félicitations ! Le branchement de la pompe à éjecteur sur un réservoir standard est maintenant terminé.**

Se reporter aux pages 7 et 8 pour les branchements électriques.

### Étanchéité des raccords des tuyaux

Effectuer tous les raccordements filetés à la pompe seulement avec du ruban d'étanchéité en PTFE pour filetage. **Ne pas utiliser de pâte pour raccords filetés sur les pompes en plastique.** Cette pâte réagira avec les composants en plastique de la pompe. S'assurer que tous les raccords du tuyau d'aspiration sont bien étanches, aussi bien à l'air qu'à l'eau. *Si le tuyau d'aspiration aspire de l'air, la pompe ne pompera pas l'eau du puits.*

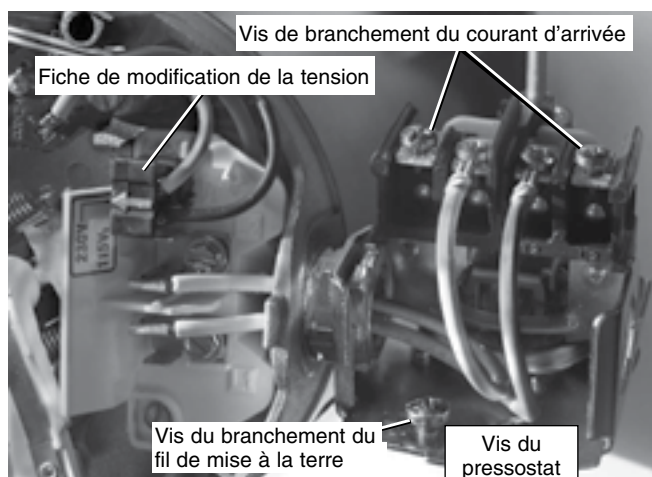
**⚠** Avant d'intervenir sur la pompe, le moteur, le pressostat ou le câblage, couper le courant qui les alimente.

## RÉGLAGES DE L'INTERRUPTEUR DU MOTEUR

**REMARQUE :** Les moteurs de 1/2 cheval sont câblés pour fonctionner sur le courant de 115 volts seulement. Leur câblage ne peut pas être modifié. La plaquette de connexions (sous le couvercle d'extrémité du moteur) des moteurs de 3/4 ch ou de 1 ch doit ressembler à une de celles qui suivent. Si le moteur est à bitension (115 volts ou 230 volts), il aura été réglé à l'usine pour fonctionner sur le courant de 230 volts. Ne pas modifier le câblage du moteur si le courant d'arrivée est de 230 volts ou si le moteur livré est un moteur à tension simple.

**⚠ ATTENTION** Ne jamais brancher un moteur fonctionnant sur le courant de 115 volts, sur le courant de 230 volts.

### Sélecteur de tension à fiche



**Figure 6 : Tension réglée sur le courant de 230 volts. Sélecteur à fiche**

La tension a été réglée à l'usine sur le courant de 230 volts. Pour le fonctionnement sur le courant de 115 volts :

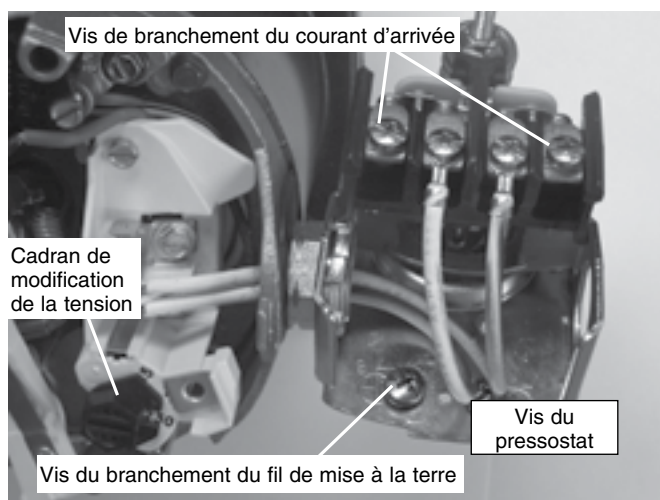
1. S'assurer que le courant est coupé.
2. Tirer droit sur la fiche.
3. Déplacer la fiche sur la position 115 volts. Elle couvrira maintenant les 2 pattes métalliques et sa flèche sera orientée vers « 115 V ». (Se reporter à la Figure 7).



**Figure 7 : Tension réglée sur le courant de 115 volts. Sélecteur à fiche**

4. Brancher les deux fils du courant d'arrivée sur les deux vis extérieures du pressostat, comme il est illustré à la Figure 6.
5. Brancher le fil de mise à la terre sur une des vis de mise à la terre, comme il est illustré à la Figure 6.
6. Si il y a d'autres fils, poser un capuchon dessus.
7. Reposer le couvercle d'extrémité du moteur.

### Sélecteur de tension à cadran



**Figure 8 : Tension réglée sur le courant de 230 volts. Sélecteur à cadran rotatif**

La tension a été réglée à l'usine sur le courant de 230 volts. Pour le fonctionnement sur le courant de 115 volts :

1. S'assurer que le courant est coupé.
2. Tourner le cadran à gauche jusqu'à ce que « 115 » apparaisse dans sa fenêtre, comme il est illustré à la Figure 9.



**Figure 9 : Tension réglée sur le courant de 115 volts. Sélecteur à cadran rotatif**

3. Brancher les deux fils du courant d'arrivée sur les deux vis extérieures du pressostat comme il est illustré à la Figure 8.
4. Brancher le fil de mise à la terre sur une des vis de mise à la terre, comme il est illustré à la Figure 8.
5. Si il y a d'autres fils, poser un capuchon dessus.
6. Reposer le couvercle d'extrémité du moteur.

**⚠ AVERTISSEMENT** Tension dangereuse. Risque de secousses électriques, de brûlures, voire de mort. Brancher le fil de mise à la terre avant de brancher les fils d'alimentation en courant. Utiliser des fils (y compris le fil de mise à la terre) correspondant aux diamètres spécifiés dans le tableau de câblage. Brancher la pompe sur un circuit séparé, sur lequel aucun autre appareil électrique ne sera branché.

**⚠ AVERTISSEMENT** Risque d'explosion. Ne pas mettre à la terre sur une conduite d'alimentation en gaz.

## BRANCHEMENTS DU CÂBLAGE

**⚠ AVERTISSEMENT** Risque d'incendie. Toute tension inadéquate risque de causer un incendie ou d'endommager sérieusement le moteur, ce qui annulera la garantie. La tension d'alimentation doit correspondre à  $\pm 10\%$  à la tension indiquée sur la plaque signalétique du moteur.

**REMARQUE :** Les moteurs bitension sont câblés à l'usine pour fonctionner sur le courant de 230 volts. Au besoin, reconnecter le moteur sur le courant de 115 volts en procédant comme il est indiqué sur sa plaque signalétique. Ne pas modifier le câblage des moteurs à tension simple.

Installer, mettre à la terre, câbler et entretenir la pompe conformément au National Electrical Code (NEC) ou au Code canadien de l'électricité (CCE), selon le cas, et conformément à tous les règlements et codes de la municipalité en vigueur. Pour de plus amples renseignements, s'adresser à l'inspecteur des bâtiments de la municipalité.

## Comment procéder aux branchements des conducteurs électriques :

1. Brancher tout d'abord le fil de mise à la terre, comme il est illustré à la Figure 7. Le fil de mise à la terre doit être un fil de cuivre massif dont le diamètre sera au moins aussi gros que ceux de l'alimentation électrique.
2. Pour protéger le moteur, il doit y avoir une solide connexion métallique entre le pressostat et la terre. Si le pressostat n'est pas connecté sur le moteur, raccorder la vis de mise à la terre du pressostat avec la vis de mise à la terre qui se trouve sous le couvercle d'extrémité du moteur. Utiliser un fil de cuivre massif dont le diamètre sera au moins aussi gros que les fils de l'alimentation électrique.
3. Connecter le fil de mise à la terre sur un fil mis à la terre, sur un tuyau d'eau métallique enterré ou sur le tubage métallique d'un puits dont la longueur sera d'au moins dix pieds (3 mètres) ou sur une électrode de mise à la terre fournie par la compagnie d'électricité.
4. Brancher les fils de l'alimentation électrique sur le pressostat, comme il est illustré à la Figure 8, page 7.

**Tableau de câblage – Diamètres des fils et calibres des fusibles recommandés**

Modèles	Puissance en cheval des moteurs	Volts	Charge maximale en ampères	intensité en ampères du fusible du circuit séparé	DISTANCE EN PIEDS (EN MÈTRES) ENTRE LE MOTEUR ET LE COURANT				
					0 - 100 (0 - 30)	101 - 200 (31 - 61)	201 - 300 (62 - 91)	301 - 400 (92 - 122)	401 - 500 (123 - 152)
					DIAMÈTRE AWG (mm <sup>2</sup> ) DES FILS				
MPNC	1/2	115	9,4	15	14(2)	10(5,5)	10(5,5)	6(14)	6(14)
MPND	3/4	115/230	12,2/6,1	20/15	12/14(3/2)	10/14(5,5/2)	8/14(8,4/2)	6/12(14/3)	6/12(14/3)
MFNC	1/2	115/230	8,8/4,4	15/15	14/14(2/2)	12/14(3/2)	10/14(5,5/2)	8/14(8,4/2)	8/12(8,4/3)
MFND	3/4	115/230	12,4/6,2	20/15	12/14(3/2)	10/14(5,5/2)	8/14(8,4/2)	6/12(14/3)	6/12(14/3)

## PRÉPARATION AVANT DE DÉMARRER LA POMPE

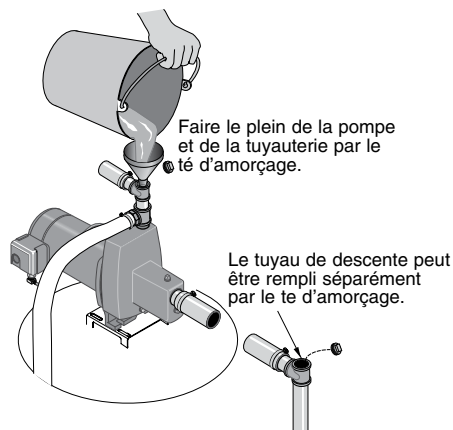


Figure 10 : Amorçage de la pompe

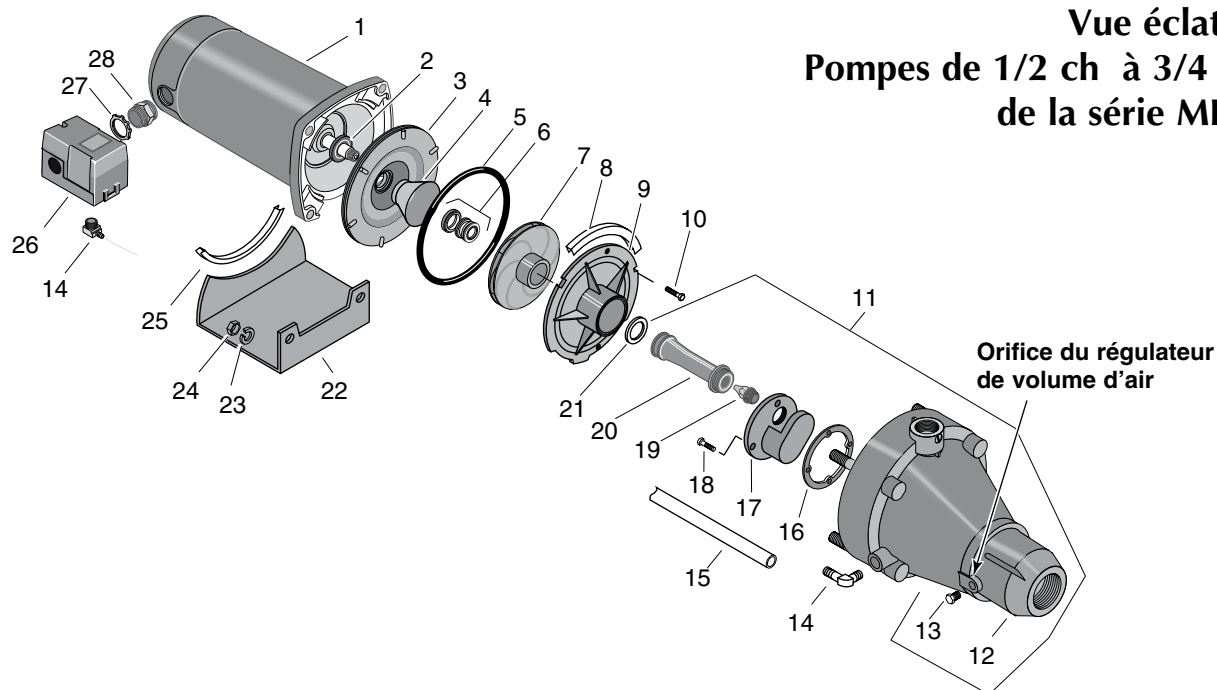
**ATTENTION** Ne jamais faire fonctionner la pompe à sec, sinon elle risque de surchauffer, ses joints risquent d'être endommagés et les personnes qui la manipuleront risquent de se brûler. Remplir la pompe d'eau avant de la démarrer.

**AVERTISSEMENT** Ne jamais faire fonctionner la pompe contre un refoulement fermé, sinon l'eau risque de bouillir à l'intérieur de la pompe, une accumulation dangereuse de pression risque de se produire, un danger d'explosion peut s'ensuivre et les personnes se trouvant à proximité risquent d'être ébouillantées.

1. Déposer le bouchon du té d'amorçage, puis faire le plein de la pompe. Faire le plein de toutes les tuyauteries branchées entre la pompe et le puits et s'assurer aussi que toutes les tuyauteries descendant dans le puits sont pleines d'eau. Si un té d'amorçage a été posé sur le tuyau d'aspiration, déposer son bouchon, puis faire le plein du tuyau d'aspiration. Se reporter à la Figure 10.
2. Reposer tous les bouchons d'amorçage.
3. **Établir le courant.** Démarrer la pompe. Elle doit pomper l'eau dans les 2 à 3 minutes qui suivent. Sinon l'arrêter, puis déposer les bouchons d'amorçage. Refaire le plein de la pompe et des tuyaux. Il faudra peut-être répéter cette opération plusieurs fois jusqu'à ce que tout l'air emprisonné dans les tuyaux soit chassé. Si la pompe aspire l'eau d'une hauteur de 7,60 mètres (25 pieds), il lui faudra peut-être 15 minutes pour s'amorcer.
4. Dès que la pression sera accumulée dans le système et que la pompe se sera arrêtée, vérifier le fonctionnement du pressostat en ouvrant un ou deux robinets du système et en les laissant couler suffisamment longtemps pour que la pression se dissipe et que la pompe redémarre. Elle doit démarrer dès que la pression chute à 207 kPa (30 lb/po2) et s'arrêter dès qu'elle atteint 345 kPa (50 lb/po2.) Faire fonctionner la pompe pendant un ou deux cycles complets pour confirmer son bon fonctionnement et chasser du système toute la saleté et tout le tartre qui se seraient détachés pendant l'installation.

### Félicitations pour une installation réussie.

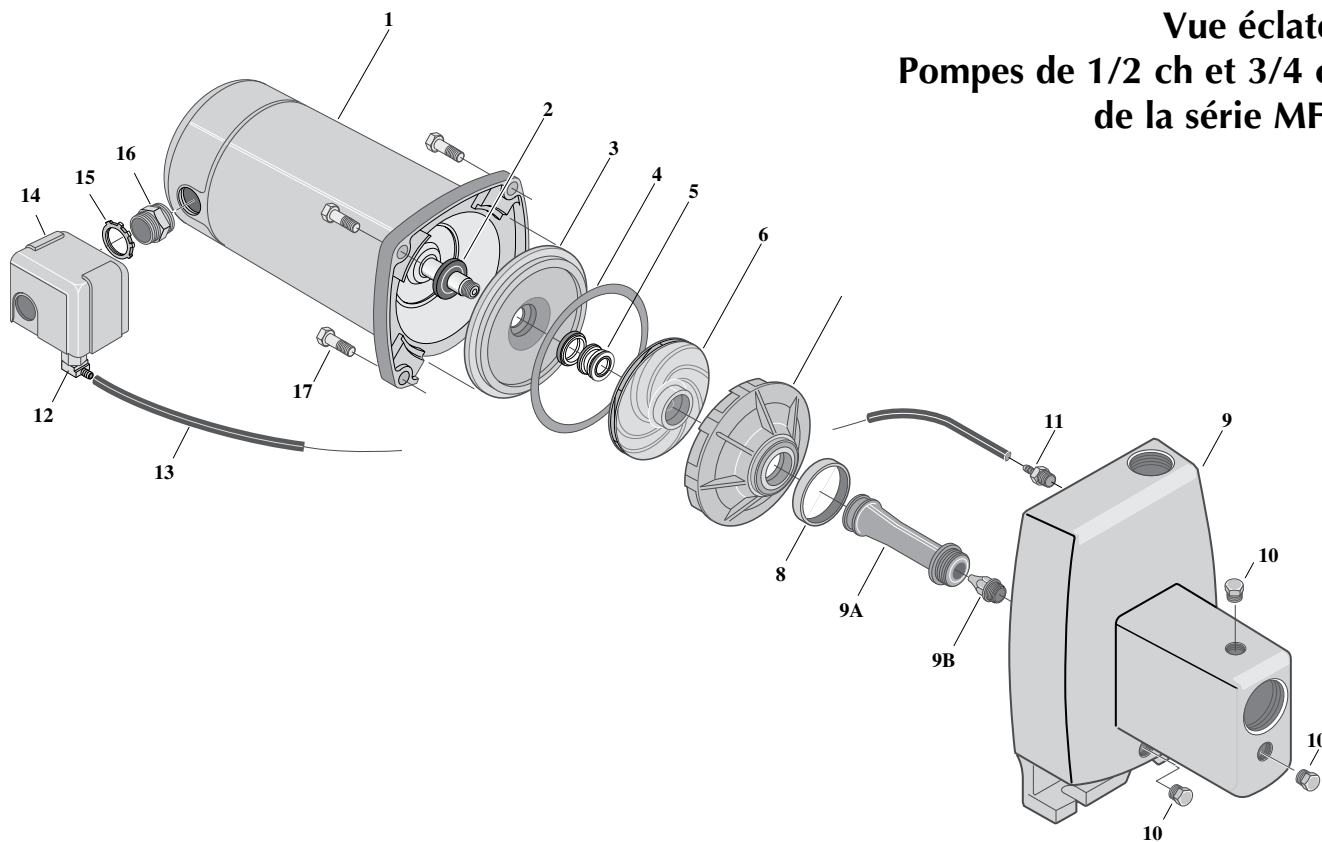
Si l'installation n'est pas réussie, se reporter à « Recherche des pannes », page 12.



**LISTE DES PIÈCES DE RECHANGE**

Réf.	Désignation des pièces	Qté	115/230V, 1/2 ch MPNC	115/230V, 3/4 ch MPND
1	Moteur	1	J218-582APKG	J218-590PKG
2	Défecteur d'eau	1	17351-0009	17351-0009
3	Plaque d'étanchéité (comprend Réf. 5)	1	N103-12PSS	N103-12PSS
4	Garniture en acier inoxydable	1	J3-2SS	J3-2SS
5	Joint torique	1	U9-390	U9-390
6	Joint de l'arbre	1	U109-6A	U109-6A
7	Impulseur	1	J105-40PF	J105-42PTB
8	Support en caoutchouc	1	C35-41	C35-41
9	Diffuseur	1	N1-28P	N1-28P
10	Vis d'assemblage à tête hexagonale n° 10 - 16	2	U30-738SS	U30-738SS
11	Corps de la pompe (comprend Réf. 12 à 18)	1	N176-35P	N176-35PA
12	Corps de la pompe	1	N76-35P	N76-35P
13	Bouchon fileté de 1/8 de pouce NPT	1	WC78-41T	WC78-41T
14	Coude à compression de 1/4 de pouce NPT	2	U111-218P	U111-218P
15	Tube de l'interrupteur	1	U37-669P	U37-669P
16	Joint plat en plastique	1	J20-18	J20-18
17	Garniture du corps de l'éjecteur de la pompe	1	N76-29P	N76-29P
18	Vis d'assemblage n° 10 - 16	4	U30-742SS	U30-742SS
19	Buse	1	N34P-17	N34P-19
20	Venturi	1	N32P-78	N32P-66
21	Joint torique	1	U9-201	U9-201
22	Socle peint	1	J104-9F	J104-9F
23	Rondelle-frein de 3/8 de pouce	4	U43-12ZP	U43-12ZP
24	Écrou de 3/8 - 16	4	U36-38ZP	U36-38ZP
25	Support en caoutchouc	1	C35-5	C35-5
26	Pressostat	1	U217-1219	U217-1219
27	Écrou de 1/2 pouce	1	U36-112ZP	U36-112ZP
28	Raccord de 1/2 pouce	1	L43-5C	L43-5C

## Vue éclatée Pompes de 1/2 ch et 3/4 ch de la série MFN



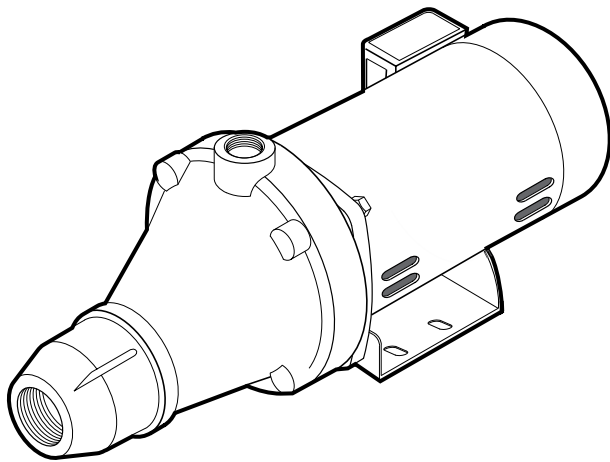
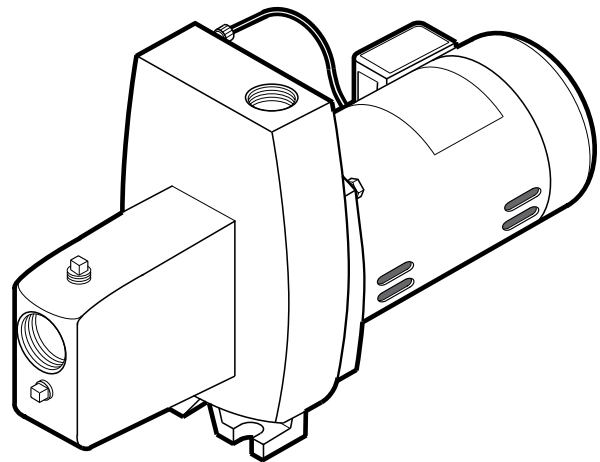
### LISTE DES PIÈCES DE RECHANGE

Réf.	Désignation des pièces	Qté	MFND 3/4 ch	MFNC 1/2 ch
1	Moteur (-L)	1	J218-590PKG	J218-582APKG
2	Défecteur d'eau	1	17351-0009	17351-0009
3	Plaque d'étanchéité	1	N3-9	N3-9
4	Joint plat de la plaque d'étanchéité	1	N20-35	N20-35
5	Joint de l'arbre	1	U109-6A	U109-6A
6	Impulseur	1	J105-42P	J105-40PH
7	Diffuseur de la volute	1	L1-25P	L1-25P
8	Joint plat du diffuseur	1	N20-34	N20-34
9	Corps de la pompe	1	N176-38F	N176-38
9A	Venturi	(1)	N32P-75	N32P-66
9B	Buse	(1)	N34P-21 (#47)	N34P-17 (#43)
10	Bouchon fileté de 1/4 de pouce NPT à tête hexagonale	3	†	†
11	Raccord cannelé de 1/4 de pouce NPT	1	U111-211T	U111-211T
12	Coude cannelé de 1/4 pouce NPT	1	U111-212T	-
13	Tube de 1/4 de pouce x 14 1/2 pouces	1	U37-672P	U37-672P
14	Pressostat	1	U217-1225	U217-1202
15	Écrou de 1/2 pouce	1	U36-112ZP	U36-112ZP
16	Raccord	1	L43-5C	L43-5C
17	Vis d'assemblage à tête hexagonale de 3/8 - 16 x 1 1/4 pouce de long.	4	†	†

† Articles de quincaillerie standard. À acheter localement.

INCIDENTS	CAUSES PROBABLES	REMÈDES
Le moteur ne fonctionne pas	Le sectionneur est ouvert Le fusible est sauté ou le disjoncteur est déclenché L'interrupteur de démarrage est défectueux Les fils côté moteur sont desserrés, débranchés ou mal branchés  Les contacts du pressostat sont sales	S'assurer que le sectionneur est enclenché Remplacer le fusible ou réenclencher le disjoncteur  COUPER L'ARRIVÉE DE COURANT; remplacer l'interrupteur de démarrage Se reporter aux instructions concernant le câblage (page 7). COUPER L'ARRIVÉE DE COURANT. Vérifier tout le câblage. Le resserrer <b>⚠ AVERTISSEMENT</b> La tension du condensateur peut être dangereuse. Pour décharger le condensateur du moteur, tenir un tournevis à manche isolé PAR LE MANCHE et mettre en court-circuit les bornes du condensateur. Ne pas toucher la lame métallique du tournevis ni les bornes du condensateur. En cas de doutes, consulter un électricien qualifié. COUPER L'ARRIVÉE DE COURANT et nettoyer les contacts avec un morceau de toile émeri ou une lime à ongles.
Le moteur chauffe et le dispositif de protection contre les surcharges se déclenche	Le moteur est mal branché La tension est trop faible  La pompe se met en marche trop fréquemment	Se reporter aux instructions concernant le câblage S'adresser à la compagnie d'électricité. Poser un câblage plus gros si le diamètre des fils est trop petit (Se reporter à Électricité/ Tableau de câblage) Se reporter ci-dessous en cas de démarrages trop fréquents
Le moteur fonctionne, mais l'eau n'est pas pompée*  * (Remarque : <b>Arrêter la pompe</b> ; puis vérifier l'amorçage avant de rechercher toute autre cause. Dévisser le bouchon d'amorçage et voir si le trou d'amorçage contient de l'eau.)	Dans le cas d'une installation neuve, la pompe ne s'est pas amorcée : 1. À cause d'un mauvais amorçage; 2. Parce qu'il y a des prises d'air; 3. Parce que le clapet de non retour ou le clapet de pied fuient La pompe s'est désamorcée : 1. Parce qu'il y a des prises d'air; 2. Parce que le niveau de l'eau est plus bas que la prise d'eau du tuyau d'aspiration  Le clapet de pied et/ou la crépine sont bouchés L'éjecteur ou l'impulseur sont bouchés S'assurer que le clapet de non retour ou que le clapet de pied ne sont pas grippés en position fermée Les tuyauteries sont gelées  Le clapet de pied et/ou la crépine sont enfouis dans le sable ou la boue Le niveau de l'eau est trop bas pour que la pompe débite de l'eau. (L'installation a été faite d'après les instructions pour un puits peu profond)	Dans le cas d'une installation neuve :  1. Réamorcer la pompe conformément aux instructions 2. Vérifier tous les raccords de la conduite d'aspiration, du régulateur de débit d'air et l'éjecteur 3. Remplacer le clapet de pied ou le clapet de non retour  Dans le cas d'une installation déjà en utilisation : 1. Vérifier tous les raccords de la conduite d'aspiration et le joint de l'arbre 2. Abaisser la conduite d'aspiration dans l'eau et réamorcer la pompe. Si, dans le puits, l'abaissement du niveau d'eau dépasse 7,60 mètres (25 pieds), utiliser une pompe pour puits profond Nettoyer le clapet de pied ou la crépine  Nettoyer l'éjecteur ou l'impulseur Remplacer le clapet de non retour ou le clapet de pied.  Dégeler les tuyauteries. Enterrer les tuyauteries sous la limite du gel. Chauffer la fosse ou le bâtiment où se trouve la pompe Relever le clapet de pied et/ou la crépine plus haut que la source d'eau. Nettoyer le clapet de pied et la crépine Un éjecteur pour puits peu profond est peut-être requis (plus de 7,60 mètres [25 pieds] jusqu'à l'eau) pour un débit d'eau à pleine capacité
La pompe ne pompe pas l'eau à pleine capacité	Le niveau de l'eau dans le puits est plus bas que celui estimé La tuyauterie en acier (le cas échéant) est corrodée ou bouchée par la chaux, ce qui cause un frottement excessif de l'eau Le diamètre de la tuyauterie est trop petit La pointe filtrante est bouchée	Remplacer la buse et le venturi par la bonne combinaison en fonction du puits; abaisser l'éjecteur dans le puits jusqu'au bon niveau. Dans la mesure du possible, remplacer le tuyau par un tuyau en plastique, sinon poser un tuyau en acier neuf  Utiliser une tuyauterie de plus grand diamètre Rétro balayer la pointe filtrante ou enfoncer une nouvelle pointe
La pompe débite, mais elle ne s'arrête pas ou bien elle fonctionne trop fréquemment	Le pressostat est déréglé ou bien ses contacts sont collés ensemble Les robinets sont restés ouverts Le venturi, la buse ou l'impulseur sont bouchés Le réservoir sous pression standard est saturé d'eau et n'a plus de coussin d'air  Les tuyaux fuient Le clapet de pied fuit La charge d'air dans le réservoir préchargé est trop basse	COUPER L'ARRIVÉE DE COURANT; régler le pressostat ou le remplacer  Les fermer Les nettoyer  Vider le réservoir jusqu'à l'orifice du régulateur de débit d'air. S'assurer que le régulateur de débit d'air ne montre pas de défauts. S'assurer qu'aucun raccord n'aspire de l'air Vérifier les raccords Le remplacer COUPER L'ARRIVÉE DE COURANT et ouvrir les robinets jusqu'à ce que toute la pression soit dissipée. Brancher un manomètre pour pneus sur la tige de la valve qui se trouve sur le réservoir afin de pouvoir vérifier la pression d'air dans le réservoir. Si la pression est inférieure au réglage de déclenchement du pressostat (de 30 à 50 lb/po <sup>2</sup> ), pomper de l'air dans le réservoir à partir d'une source extérieure jusqu'à ce que la pression de l'air dans le réservoir soit de 2 lb/po <sup>2</sup> inférieures au réglage de déclenchement du pressostat. S'assurer que la valve ne fuit pas (utiliser une solution savonneuse pour cela). Au besoin, remplacer l'obus de la valve.
L'air jaillit des robinets	La pompe s'amorce Le côté aspiration de la pompe fuit Le puits est gazeux Surpompage intermittent du puits. (L'eau est pompée plus bas que le clapet de pied.)	Dès que la pompe sera amorcée, tout l'air sera chassé Le tuyau d'aspiration aspire de l'air. Vérifier tous les raccords. S'adresser à l'usine concernant l'installation d'un manchon dans le puits Dans la mesure du possible, abaisser le clapet de pied, sinon limiter le refoulement de la pompe



**MYERS®****MPN Serie****MFN Serie****Instalación/Operación/Piezas**

Para mayor información sobre el funcionamiento, instalación o mantenimiento de la bomba:

**Llame al 1-888-987-8677**

## LEA Y SIGA LAS INSTRUCCIONES DE SEGURIDAD!

**⚠ Este es el símbolo de alerta de seguridad.** Cuando usted vea este símbolo en su bomba o en este manual, busque alguna de las siguientes palabras de advertencia y esté alerta a la posibilidad de una herida personal:

**⚠ PELIGRO** advierte acerca de los peligros que **ocasionarán** lesiones personales serias, la muerte o un daño severo a la propiedad si se ignoran dichos peligros.

**⚠ ADVERTENCIA** advierte acerca de los peligros que **pueden** ocasionar lesiones personales serias, la muerte o un daño severo a la propiedad si se ignoran dichos peligros.

**⚠ PRECAUCIÓN** advierte acerca de los peligros que **ocasionarán** o **podrán** ocasionar lesiones personales menores o daños a la propiedad si se ignoran dichos peligros.

La etiqueta **AVISO** indica instrucciones especiales que son importantes pero no relacionados a los peligros.

**Lea y siga cuidadosamente todas las instrucciones de seguridad en este manual y en la bomba.**

Mantenga las etiquetas de seguridad en buenas condiciones.

Reemplace las etiquetas de seguridad faltantes o dañadas.

### Advertencia de la Proposición 65 de California

**⚠ ADVERTENCIA** Este producto y accesorios relacionados contienen sustancias químicas reconocidas en el Estado de California como causantes de cáncer, malformaciones congénitas y otros daños al sistema reproductivo.

## SEGURIDAD ELECTRICA

**⚠ ADVERTENCIA** El voltaje del capacitor puede ser **peligroso**. Para descargar el capacitor del motor, tome un desatornillador con mango aislado **POR EL MANGO** y ponga en corto las terminales del capacitor. No toque la superficie de metal del desatornillador ni las terminales del capacitor. Si tiene alguna duda, consulte a un electricista calificado.

## SEGURIDAD GENERAL

**⚠ PRECAUCIÓN** **No toque un motor en operación.** Los motores pueden funcionar a temperaturas altas. Para evitar quemaduras al realizar el servicio a una bomba, déjela enfriar por 20 minutos después de apagarla.

No permita que la bomba o cualquier componente del sistema se congele. Hacerlo invalidará la garantía.

Utilice esta bomba sólo para agua.

Inspeccione la bomba y los componentes del sistema periódicamente.

Utilice gafas de seguridad durante todo el tiempo mientras trabaje en la bomba.

El área de trabajo se debe mantener limpia, ordenada y con iluminación adecuada; guarde las herramientas y el equipo que no utilice en el lugar apropiado.

Mantenga a los visitantes a una distancia segura de las áreas de trabajo.

**⚠ ADVERTENCIA** **El cuerpo de la bomba puede explotar si se utiliza como una bomba propulsora a menos que se instale una válvula de alivio que sea capaz de pasar todo el flujo de la bomba a 75 psi.**


**⚠ ADVERTENCIA**



**Voltaje peligroso. Puede ocasionar conmoción, quemaduras e incluso la muerte.**

Conecte la bomba a tierra antes de conectarla a la alimentación eléctrica. Desconecte la alimentación de energía antes de trabajar en la bomba, el motor o el tanque.

- ⚠** Conecte el motor al voltaje correcto. Vea la sección "Electricidad" en este manual y la placa del motor.
- ⚠** Conecte el motor a tierra antes de conectarlo a la alimentación de energía.
- ⚠** Cumpla con las indicaciones del Código Nacional Eléctrico, el de Canadá y los códigos locales para toda la conexión eléctrica.
- ⚠** Siga las instrucciones de conexión eléctrica en este manual al conectar el motor a las líneas de energía eléctrica.



**⚠ ADVERTENCIA**

**Presión peligrosa!**

**Instale una válvula de alivio de presión en la tubería de descarga.**

Libere toda la presión en el sistema antes de trabajar en alguno de los componentes.

	Página
Seguridad General .....	2
Garantía.....	3
Instalación (bombas para pozos).....	4, 5
Conexión de la tubería de descarga.....	6
Electricidad.....	7, 8
Preparación para encender la bomba .....	9
Refacciones .....	10, 11
Solución de problemas .....	12

## Garantía limitada

F.E. MYERS le garantiza al comprador/consumidor original (“Comprador” o “Usted”) de los productos enumerados abajo, que estos estarán libres de defectos en material y mano de obra durante el Período de Garantía indicado a continuación.

Producto	Período de garantía
Bombas de chorro, pequeñas bombas centrífugas, bombas sumergibles y accesorios asociados	<i>lo que ocurra primero:</i> 12 meses desde la fecha de la instalación inicial, o 18 meses desde la fecha de fabricación
Tanques de devanado de fibra de vidrio	5 años desde la fecha de la instalación inicial
Tanques a presión de acero	5 años desde la fecha de la instalación inicial
Productos para sumideros/aguas residuales/efluente	12 meses desde la fecha de la instalación inicial, o 24 meses desde la fecha de fabricación

Nuestra garantía no se aplicará a ningún producto que, a nuestro sólo juicio, haya sido sometido a negligencia, mal uso, instalación inadecuada o mal mantenimiento. Sin perjuicio a lo que antecede, la garantía quedará anulada en el caso en que un motor trifásico se haya usado con una fuente de alimentación monofásica, a través de un convertidor de fase. Es importante indicar que los motores trifásicos deben estar protegidos por relés de sobrecarga de disparo extra-rápido, con compensación ambiental de tres etapas, del tamaño recomendado, de lo contrario, la garantía quedará anulada.

Su único recurso, y la única obligación de F.E. MYERS es que F.E. MYERS repare o reemplace los productos defectuosos (a juicio de F.E. MYERS). Usted deberá pagar todos los cargos de mano de obra y de envío asociados con esta garantía y deberá solicitar el servicio bajo garantía a través del concesionario instalador tan pronto como se descubra un problema. No se aceptará ninguna solicitud de servicio bajo garantía que se reciba después del vencimiento del Período de Garantía. Esta garantía no se puede transferir.

F.E. MYERS NO SE HARÁ RESPONSABLE DE NINGÚN DAÑO CONSECUENTE, INCIDENTAL O CONTINGENTE.

LAS GARANTÍAS LIMITADAS QUE ANTECEDEN SON EXCLUSIVAS Y EN LUGAR DE TODA OTRA GARANTÍA EXPLÍCITA E IMPLÍCITA, INCLUYENDO, PERO SIN LIMITARSE A LAS GARANTÍAS IMPLÍCITAS DE COMERCIABILIDAD E IDONEIDAD PARA UN FIN ESPECÍFICO. LAS GARANTÍAS LIMITADAS QUE ANTECEDEN NO SE EXTENDERÁN MÁS ALLÁ DEL PERÍODO DE DURACIÓN INDICADO EN LA PRESENTE.

Algunos estados no permiten la exclusión o limitación de daños incidentales o consecuentes o de limitaciones de tiempo sobre garantías implícitas, de modo que es posible que las limitaciones o exclusiones que preceden no correspondan en su caso. Esta garantía le otorga derechos legales específicos y es posible que usted también tenga otros derechos que pueden variar de un estado al otro.

Esta Garantía Limitada entra en vigor el 1 de junio de 2011 y sustituye toda garantía sin fecha o garantía con fecha anterior al 1 de junio de 2011.

**F.E. MYERS**  
**293 Wright Street, Delavan, WI 53115**  
**Teléfono: 888-987-8677 • Fax: 800-426-9446 • www.femyers.com**  
**En Canadá: P. O. Box 9138, 269 Trillium Dr., Kitchener, Ontario N2G 4W5**  
**Teléfono: 519-748-5470 • Fax: 888-606-5484**

## REEMPLAZO DE UNA BOMBA VIEJA

**⚠ ADVERTENCIA** Voltaje peligroso. Desconecte la energía de la bomba antes de trabajar con la bomba o el motor.

- Paso 1. Drene y quite la bomba vieja. Revise la tubería vieja por si estuviera oxidada, tuviera cal o moho, etc., y reemplácela si es necesario.
- Paso 2. Instale la bomba en el sistema. Asegúrese de que todas las uniones de los tubos en la tubería de succión están unidas herméticamente y son impermeables al agua. *Si la tubería de succión puede succionar aire, la bomba no podrá jalar agua del pozo.*
- Paso 3. Ajuste la altura de montaje de la bomba de modo que las conexiones de plomería no ocasionen un esfuerzo de deformación sobre el cuerpo de la bomba. Dele el soporte adecuado a los tubos de modo que el cuerpo de la bomba no reciba todo el peso de la tubería o los herrajes.

**Usted acaba de terminar las conexiones de plomería del pozo de su nueva bomba tipo "jet" para pozo poco profundo. Consulte la Página 6 para realizar las conexiones del tanque y de la tubería de descarga.**

## INSTALACION DEL PUNTO DEL POZO (PUNTO DE HINCAR) (FIGURA 1)

- Paso 1. Hínque el pozo utilizando "manguitos de tubería de hincar" y una "caperuza para la hinca". Las "conexiones de perforar" están roscadas a todo lo largo y permiten que los extremos de la tubería empalmen para que la fuerza de perforación del mazo sea soportada por la tubería y no por el enroscado. Las conexiones ordinarias que se encuentran en las tlapalerías no están roscadas a todo lo largo y se pueden colapsar por el impacto. Las "conexiones de hincado" también son más suaves que las conexiones de plomería comunes, y esto facilita la penetración en el suelo.

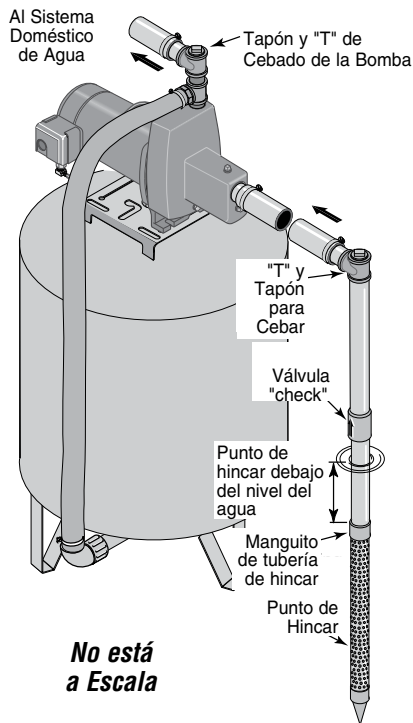


Figura 1: Instalación del Punto de Hincar

- Paso 2. Monte la bomba tan cerca del pozo como sea posible.
- Paso 3. Utilice el menor número de conexiones posible (especialmente codos) al conectar la tubería desde el punto del pozo al orificio de succión de la bomba. La tubería de succión debe ser por lo menos del mismo tamaño que el orificio de succión en la bomba (incluya una válvula "check" si su equipo no está equipado con una) - Vea la Figura 1. Soporte la tubería para que no haya inclinaciones verticales o hundimientos en ella a fin de que no se ejerza tensión sobre el cuerpo de la bomba y con el propósito de que no se incline ligeramente hacia arriba desde el pozo hacia la bomba (los puntos altos pueden ocasionar que se formen bolsas de aire que pueden bloquear la bomba). Sellar las juntas de la tubería de aspiración con cinta selladora de PTFE para roscas de tubería. Las juntas deben de ser a prueba de agua y estar herméticamente cerradas. Si la tubería de succión pudiera succionar aire, la bomba no podría sacar agua del pozo. Si un punto de pozo no proporciona suficiente agua, considere la posibilidad de conectar dos o tres puntos de pozo a una tubería de succión.

**Usted acaba de realizar la conexión de tubería de succión para su nueva bomba tipo "jet" para pozo poco profundo. Por favor pase a la Página 6 para realizar las conexiones del tanque y de la tubería de descarga.**

## INSTALACION DE POZO RECUBIERTO CON UN RECUBRIMIENTO DE 2" O MAS (FIGURA 2)

- Paso 1. Monte la bomba tan cerca del pozo como sea posible.
- Paso 2. Instale la válvula de retención, el filtro y la tubería del pozo (vea la Figura 2). Asegúrese de que la válvula de retención funcione libremente.

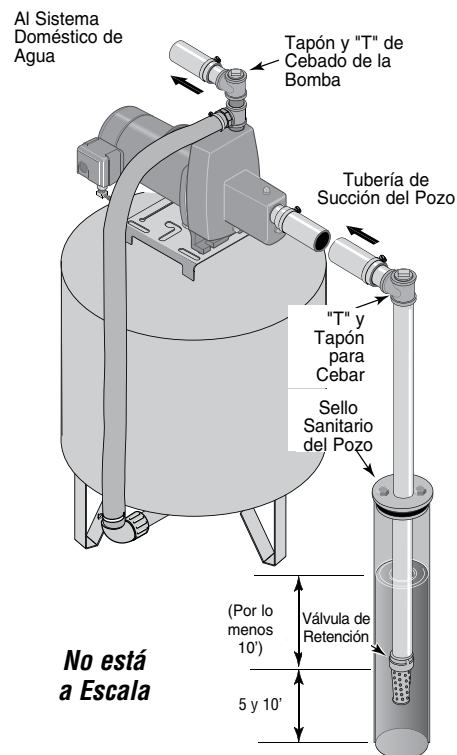
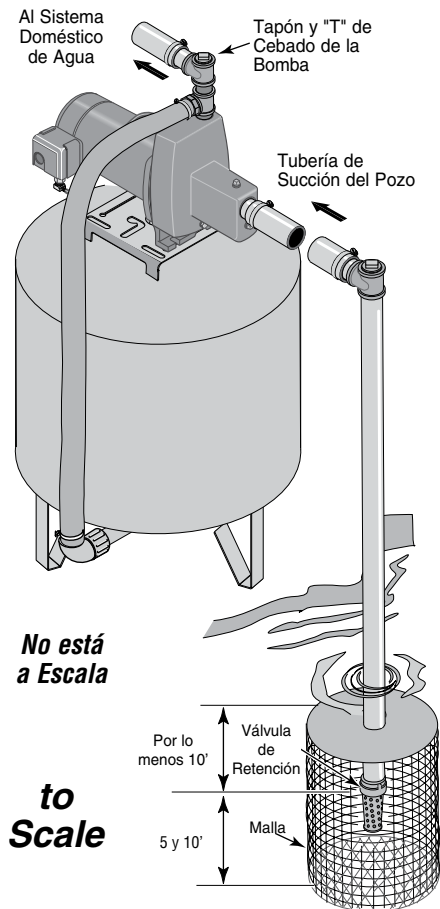


Figure 2: Instalación para pozo recubierto

- Paso 3. Baje la tubería hacia el pozo hasta que el filtro se encuentre a cinco pies sobre el fondo del pozo. También debe estar a por lo menos 10 pies debajo del nivel del agua del pozo cuando la bomba esté funcionando a fin de evitar que la bomba succione aire. Instale un sello sanitario para pozo.
- Paso 4. Instale una "T" para cebar, tapón para cebar y la tubería de succión a la bomba (vea la Figura 2). Conecte la tubería del pozo al orificio de succión de la bomba; utilice el menor número de conexiones posible – especialmente codos – ya que las conexiones incrementan la fricción de la tubería, pero incluya una válvula de aspiración – vea la Figura 2. La tubería de succión debe ser por lo menos del mismo tamaño que el orificio de succión de la bomba. Utilizar cinta selladora de PTFE para roscas de tubería sobre las juntas roscadas de la tubería. Soporte la tubería para que no haya inclinaciones verticales o hundimientos en ella a fin de que no ejerza tensión sobre el cuerpo de la bomba y con el propósito de que no se incline ligeramente hacia arriba desde el pozo hacia la bomba (los puntos altos pueden ocasionar que se formen bolsas de aire que pueden bloquear la bomba). Sellar las juntas de la tubería de aspiración con cinta selladora de PTFE para roscas de tubería. Las juntas deben ser a prueba de agua o estar herméticamente cerradas. *Si la tubería de succión pudiera succionar aire, la bomba no podrá sacar agua del pozo.*

**Usted acaba de realizar la conexión de tubería de succión para su nueva bomba tipo "jet" para pozo poco profundo. Por favor pase a la Página 6 para realizar las conexiones del tanque y de la tubería de descarga.**



**Figura 3: Instalación para agua superficial**

## INSTALACION PARA AGUA SUPERFICIAL (FIGURA 3)

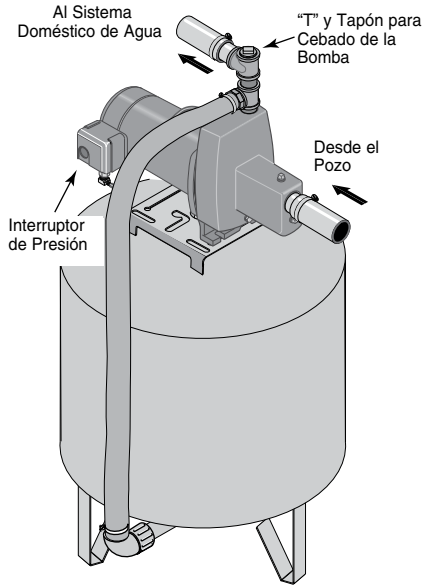
- Paso 1. La bomba se debe instalar lo más cerca del agua que sea posible, con el menor número posible de conexiones (especialmente codos) en la tubería de succión. La tubería de succión debe ser por lo menos del mismo tamaño que el orificio de succión de la bomba.
- Paso 2. Instale una válvula de retención y la tubería de succión (vea la Figura 3). Asegúrese de que la válvula de retención funcione libremente. Utilizar cinta selladora de PTFE para roscas de tubería sobre las juntas roscadas de la tubería. Proteja la conexión de la válvula de retención de peces, basura, etc., con la instalación de una malla de alambre a su alrededor (Vea la Figura 3).

- Paso 3. Baje la tubería hacia el agua hasta que el filtro se encuentre a cinco pies sobre el fondo. También debe estar a por lo menos 10 pies debajo del nivel del agua a fin de evitar que la bomba succione aire.
- Paso 4. Instale una "T" para cebar, tapón para cebar y la tubería de succión a la bomba (vea la Figura 3). Soporte la tubería para que no haya inclinaciones verticales o hundimientos en ella a fin de que no ejerza tensión sobre el cuerpo de la bomba y con el propósito de que no se incline ligeramente hacia arriba desde el pozo hacia la bomba (los puntos altos pueden ocasionar que se formen bolsas de aire que pueden bloquear la bomba). Sellar las juntas de la tubería de aspiración con cinta selladora de PTFE para roscas de tubería. Las juntas deben ser a prueba de agua o estar herméticamente cerradas. *Si la tubería de succión pudiera succionar aire, la bomba no podrá sacar agua del pozo.*

**Usted acaba de realizar la conexión de tubería de succión para su nueva bomba tipo "jet" para pozo poco profundo. por favor pase a la Página 6 para realizar las conexiones del tanque y de la tubería de descarga.**

## CONEXIÓN PARA TANQUE PRE-CARGADO (FIGURA 4)

Paso 1. Instale dos "T"s en el puerto de descarga de la bomba (Vea la figura 4). El tamaño de la bomba debe de ser por lo menos tan grande como el puerto de descarga.



**Figura 4: Conexiones del Tanque Pre-cargado**

Paso 2. Instale un tubo o una manguera reforzada desde un brazo de la primera "T" al puerto en el tanque pre-cargado.

Paso 3. Conecte el otro extremo de la "T" de descarga a su instalación de tuberías.

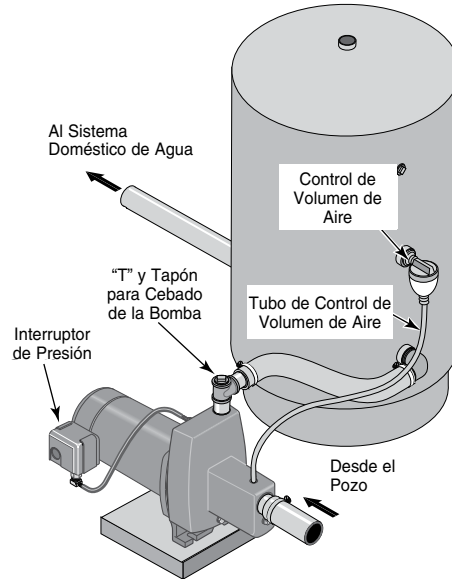
Paso 4. Verifique la pre-carga de aire en el tanque con un medidor ordinario de aire para neumáticos. La pre-carga debe ser de 2 PSI menos que el ajuste de cierre del interruptor de presión de la bomba. La pre-carga se mide cuando no haya presión de agua en el tanque. Su nueva bomba tiene un interruptor de 30/50 PSI, por lo tanto ajuste la presión de pre-carga del tanque a 28 PSI.

**¡Felicidades! Usted acaba de realizar la conexión del tanque para su bomba tipo "jet".**

Por favor pase a las páginas 7 y 8 donde se encuentra la sección sobre la conexión eléctrica.

## CONEXIÓN PARA TANQUE ESTÁNDAR (FIGURA 5)

Paso 1. Instale una "T" en el puerto de descarga de la bomba (Fig. 5).



**Figura 5: Conexiones para Tanque Estándar**

Paso 2. Ponga una bomba desde el puerto de descarga al puerto de entrada de su tanque. El tamaño del tubo debe ser por lo menos tan grande como el puerto de descarga.

Paso 3. Retire el tapón de la tubería de 1/8" de NPT del orificio del Control de Volumen de Aire (CVA) de la bomba (Vea la Figura 5). Instale una tubería desde el puerto de CVA (Vea la Figura 5) de la bomba hacia el puerto en el CVA montado en el tanque. Vea las instrucciones incluidas con el tanque y en el CVA, para tener más detalles. El punto del Puerto de CVA variar con el modelo de la bomba (vea las vista esquemáticas, páginas 10-11).

**Felicidades! Usted acaba de realizar la conexión del tanque para su bomba tipo "jet".**

Por favor pase a las páginas 7 y 8 para saber acerca de la conexión eléctrica.

### Sellado de Juntas de Tubería

Levar a cabo todas las conexiones roscadas a la bomba utilizando solamente cinta selladora de PTFE para roscas de tubería. **No use compuestos de burlete para tuberías en bombas de plástico:** estos pueden reaccionar con los componentes de plástico de la bomba. Asegúrese de que todos los burletes en la tuberías de aspiración sean impermeables y herméticos. Si la tubería de aspiración aspira aire, la bomba no podrá sacar agua del pozo.

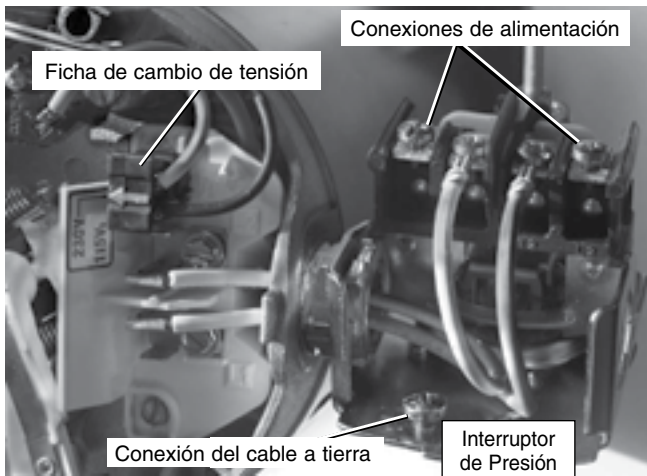
**⚠** Desconecte la corriente antes de trabajar en la bomba, el motor, el conmutador a presión, o los cables.

## CONFIGURACIONES DEL INTERRUPTOR DEL MOTOR

**NOTA:** Los motores de 1/2 HP vienen cableados sólo para 115 voltios y no tienen cables que se puedan cambiar. Los tableros de bornes de motores de 3/4 HP o de 1 HP (ubicados debajo de la cubierta del motor) se deben parecer a uno de los que se ilustran a continuación. Si el motor puede funcionar tanto con 115 como con 230 voltios, vendrá configurado de fábrica para 230 voltios. No cambie el cableado del motor si la tensión de línea es de 230 voltios o si usted tiene un motor de una sola tensión.

**⚠ PRECAUCIÓN** Nunca conecte un motor de 115 voltios a una línea de 230 voltios.

### Selector de tensión de tipo ficha



**Figura 6: Tensión configurada para 230 voltios, tipo ficha**

La configuración de fábrica es para 230 voltios. Para cambiar a 115 voltios:

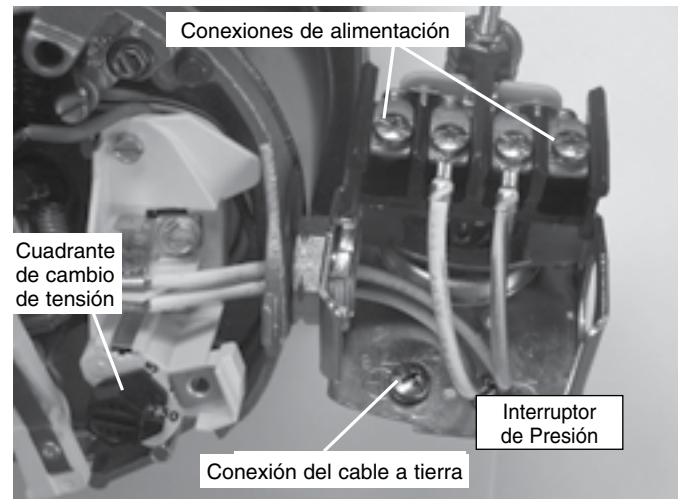
1. Verifique que la corriente eléctrica esté desconectada.
2. Jale de la ficha de cambio de tensión y sáquela de las lengüetas.
3. Mueva la ficha de cambio de tensión a la posición de 115 voltios. Ahora la ficha cubrirá 2 lengüetas metálicas y la flecha en la ficha quedará alineada con la flecha de 115 voltios en la etiqueta (consulte la Figura 7).



**Figura 7: Tensión configurada para 115 voltios, tipo ficha**

4. Conecte los conductores de alimentación a los dos tornillos exteriores en el manóstató según se ilustra en el Figura 6.
5. Conecte el cable a tierra a una de las conexiones a tierra según se ilustra en la Figura 6.
6. Si hay otros cables, tápelos.
7. Vuelva a instalar la cubierta del motor.

### Selector de tensión de tipo cuadrante



**Figura 8: Tensión configurada para 230 voltios, tipo cuadrante**

La configuración de fábrica es para 230 voltios. Para cambiar a 115 voltios:

1. Verifique que la corriente eléctrica esté desconectada.
2. Gire el cuadrante hacia la izquierda hasta que aparezca 115 en la ventana del cuadrante según se ilustra en la Figura 9.



**Figura 9: Tensión configurada para 115 voltios, tipo cuadrante**

3. Conecte los conductores de alimentación a los dos tornillos exteriores en el manóstató según se ilustra en el Figura 8.
4. Conecte el cable a tierra a una de las conexiones a tierra según se ilustra en la Figura 8.
5. Si hay otros cables, tápelos.
6. Vuelva a instalar la cubierta del motor.

**⚠ ADVERTENCIA** Tensión peligrosa. Puede causar choques, quemaduras o muerte. Conecte el alambre de puesta a tierra antes de conectar los alambres de suministro de corriente. Use el cable del tamaño especificado en la tabla de cableado (incluyendo el alambre de puesta a tierra). Si es posible, conecte la bomba a un circuito separado de derivación sin ningún otro artefacto en el mismo.

**⚠ ADVERTENCIA** Peligro de explosión. No haga la conexión a tierra en una línea de suministro de gas.

## CONEXIONES DE LOS CABLES

**⚠ ADVERTENCIA** Peligro de incendio. Una tensión incorrecta puede causar un incendio o dañar el motor seriamente e invalidará la garantía. La tensión de suministro debe ser entre ± 10 % de la tensión especificada en la placa de datos del motor.

**AVISO:** Los motores para doble tensión vienen cableados de fábrica a 230 voltios. Si es necesario, vuelva a conectar el motor para 115 voltios, según se ilustra. No modifique el cableado en los motores de tensión singular.

Instale, ponga a tierra, conecte los alambres y mantenga su bomba conforme al Código Nacional de Electricidad (NEC) o al Código Canadiense de Electricidad (CEC), según corresponda, y conforme a todos los códigos y normas locales que correspondan. Consulte con su inspector local de construcciones para obtener información sobre los códigos.

### Procedimiento para las conexiones:

1. Conecte el alambre de puesta a tierra primero según se ilustra en la Figura 7. El alambre de puesta a tierra debe ser un alambre de cobre sólido por lo menos tan grande como los alambres de suministro de corriente.
2. Debe haber una conexión metálica sólida entre el conmutador a presión y el motor para brindar protección a tierra para el motor. Si el conmutador a presión no está conectado al motor, conecte el tornillo de puesta a tierra verde en el conmutador al tornillo de puesta a tierra verde debajo de la tapa de extremo del motor. Use un alambre de cobre sólido que sea por lo menos tan grande como los alambres de suministro de corriente.
3. Conecte el alambre de puesta a tierra a un alambre conectado a tierra del tablero de servicio, a un tubo metálico para agua subterránea, a un entubamiento metálico para pozos de por lo menos 3 metros (10 pies) de largo, o a un electrodo a tierra suministrado por la empresa de energía o hidroeléctrica.
4. Conecte los alambres de suministro de corriente al conmutador de presión según se ilustra en la Figura 8, página 7.

**Table de Conexiones – Cables Recomendados y Tamaños de Fusibles**

Modelo	HP del Motor	Voltios	Amp de Carga Máxima	Amp de Rango de Fusible de Derivación	DISTANCIA EN PIES DESDE EL MOTOR AL SUMINISTRO DE ENERGIA				
					0 - 100 (0 - 30)	101 - 200 (31 - 61)	201 - 300 (62 - 91)	301 - 400 (92 - 122)	401 - 500 (123 - 152)
					CALIBRE DEL CABLE AWG (mm cuadrados)				
MPNC	1/2	115	9.4	15	14(2)	10(5.5)	10(5.5)	6(14)	6(14)
MPND	3/4	115/230	12.2/6.1	20/15	12/14(3/2)	10/14(5.5/2)	8/14(8.4/2)	6/12(14/3)	6/12(14/3)
MFNC	1/2	115/230	8.8/4.4	15/15	14/14(2/2)	12/14(3/2)	10/14(5.5/2)	8/14(8.4/2)	8/12(8.4/3)
MFND	3/4	115/230	12.4/6.2	20/15	12/14(3/2)	10/14(5.5/2)	8/14(8.4/2)	6/12(14/3)	6/12(14/3)



## PREPARACIÓN PARA ARRANCAR LA BOMBA - POZO PROFUNDO

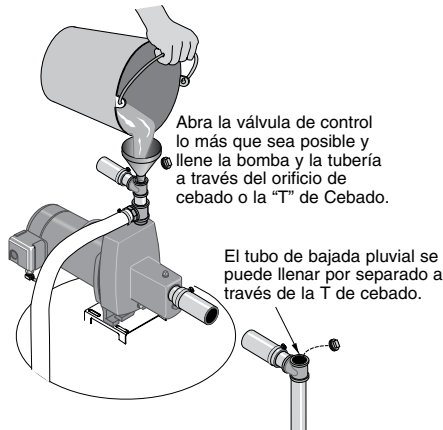
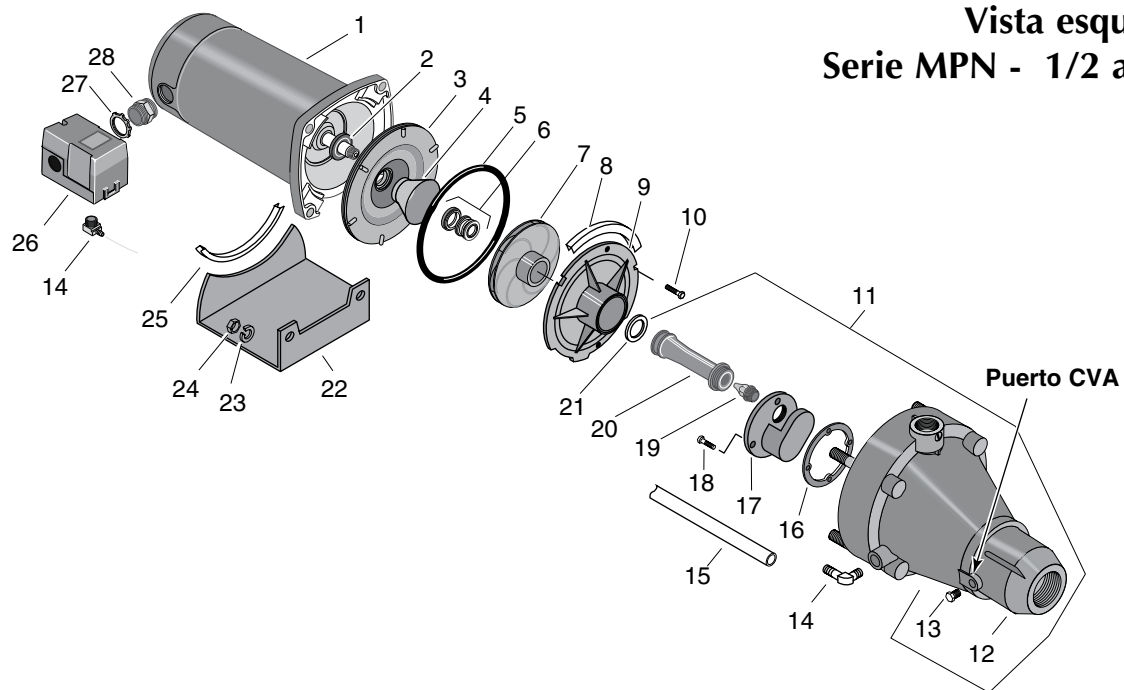


Figura 10: Llenado de la Bomba

**⚠ PRECAUCIÓN** Nunca ponga a funcionar la bomba en seco. Poner a funcionar la bomba sin agua puede ocasionarle sobre calentamiento, dañar el sello y tal vez causar quemaduras a las personas que la estén manejando. Llene la bomba con agua antes de arrancarla.

**⚠ ADVERTENCIA** Nunca operar la bomba hacia una descarga cerrada. De lo contrario, el agua del interior puede hervir y ocasionar presión peligrosa en la unidad, riesgo de explosión y las personas que operan la bomba pueden sufrir quemaduras.

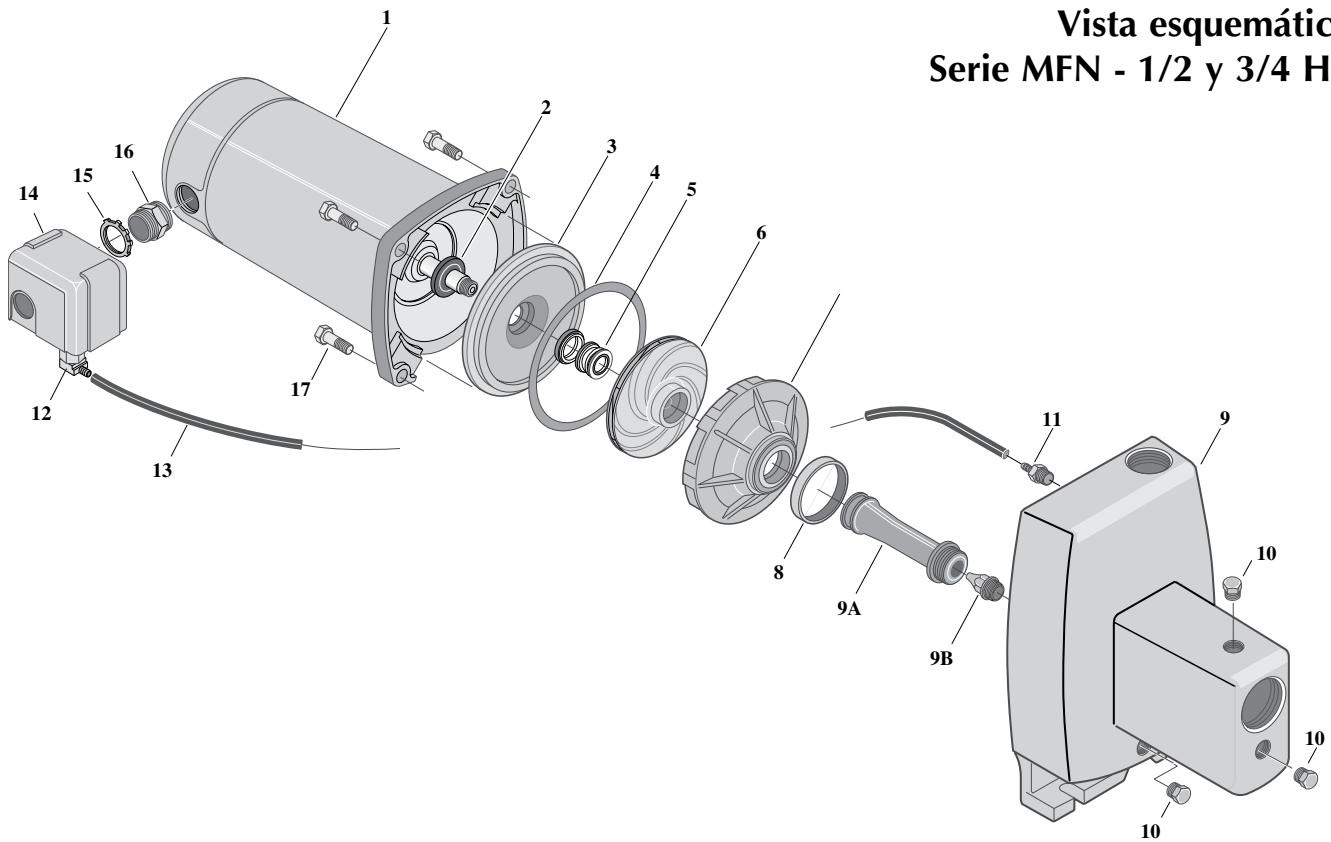
1. Retire el tapón para cebado de la bomba y llenar la bomba, llenar toda la tubería que va de la bomba al pozo y asegúrese que toda la tubería del pozo esté llena. En caso de haber instalado una "T" de cebado en la tubería de succión, quitar el tapón de la "T" y llenar la tubería de succión. Vea la Figura 10.
  2. Vuelva a colocar todos los tapones de llenado.
  3. **¡Enciéndala!** Arranque la bomba. Si no tiene agua después de 2 a 3 minutos, detenga la bomba y retire los tapones. Vuelva a llenar la bomba y la tubería. Es probable que tenga que repetir este paso varias veces con el fin de sacar todo el aire atrapado dentro de la tubería. Es probable que necesite hasta 15 minutos para cebar la bomba con una elevación de agua de 25'.
  4. Después de que la bomba ha producido presión en el sistema y esté apagada, verifique la operación del interruptor de presión abriendo una llave o dos y dejando correr suficiente agua para descargar la presión hasta que la bomba arranque. La bomba debe arrancar cuando la presión caiga a 30 PSI y se debe detener cuando la presión alcance los 50 PSI. Haga funcionar la bomba durante uno o dos ciclos completos para verificar su correcta operación. Esto también le ayudará a limpiar el sistema de polvo y basura producida durante la instalación.
- ¡Felicidades por haber obtenido una instalación exitosa!**  
Si usted no tuvo éxito, por favor pase a la sección de Solución de Problemas (página 12).



LISTA DE REFACCIONES

Clave No.	Descripción de la parte	Cantidad	115/230V, 1/2 HP MPNC	115/230V, 3/4 HP MPND
1	Motor	1	J218-582APKG	J218-590PKG
2	Deflector de agua	1	17351-0009	17351-0009
3	Ensamble de la placa de sello (Incl. #5)	1	N103-12PSS	N103-12PSS
4	Inserto de acero inoxidable	1	J3-2SS	J3-2SS
5	Anillo "O"	1	U9-390	U9-390
6	Sello de la flecha	1	U109-6A	U109-6A
7	Impulsor	1	J105-40PF	J105-42PTB
8	Cojín de hule	1	C35-41	C35-41
9	Difusor	1	N1-28P	N1-28P
10	Tornillo de cabeza #10-16 cabeza hexagonal	2	U30-738SS	U30-738SS
11	Unidad de la bomba (incl. No. 13 y No. 18)	1	N176-35P	N176-35PA
12	Cuerpo de la bomba	1	N76-35P	N76-35P
13	Tapón del tubo - 1/8" NPT Encintado	1	WC78-41T	WC78-41T
14	Codo de compresión de 1/4" NPT	2	U111-218P	U111-218P
15	Tubo del interruptor	1	U37-669P	U37-669P
16	Junta - plástico	1	J20-18	J20-18
17	Inserto del cuerpo del jet del tanque	1	N76-29P	N76-29P
18	Tornillo de cabeza - #10 a #16	4	U30-742SS	U30-742SS
19	Tobera	1	N34P-17	N34P-19
20	Tubo Venturi	1	N32P-78	N32P-66
21	Anillo "O"	1	U9-201	U9-201
22	Ensamble de la base (pintado)	1	J104-9F	J104-9F
23	Arandela de seguridad 3/8"	4	U43-12ZP	U43-12ZP
24	Tuerca de 3/8-16	4	U36-38ZP	U36-38ZP
25	Cojín de hule	1	C35-5	C35-5
26	Interruptor de presión	1	U217-1219	U217-1219
27	Contratuerca de 1/2"	1	U36-112ZP	U36-112ZP
28	Conector de 1/2"	1	L43-5C	L43-5C

## Vista esquemática Serie MFN - 1/2 y 3/4 HP



### LISTA DE REFACCIONES

Clave No.	Descripción de la parte	Cantidad	MFND 3/4 HP	MFNC 1/2 HP
1	Motor (-L)	1	J218-590PKG	J218-582APKG
2	Deflector de agua	1	17351-0009	17351-0009
3	Placa de sello	1	N3-9	N3-9
4	Junta de la placa de sello	1	N20-35	N20-35
5	Sello de la flecha	1	U109-6A	U109-6A
6	Impulsor	1	J105-42P	J105-40PH
7	Difusor	1	L1-25P	L1-25P
8	Anillo del difusor	1	N20-34	N20-34
9	Ensamble del cuerpo de la bomba	1	N176-38F	N176-38
9A	Tubo Venturi	(1)	N32P-75	N32P-66
9B	Tobera	(1)	N34P-21 (#47)	N34P-17 (#43)
10	Tapón del tubo	3	†	†
11	Junta arponada - 1/4" NPT	1	U111-211T	U111-211T
12	Codo arponado - 1/4" NPT	1	U111-212T	-
13	Tubo de 3/8" O.D. x 14-1/2" de largo	1	U37-672P	U37-672P
14	Interruptor de presión	1	U217-1225	U217-1202
15	Contratuercas, 1/2"	1	U36-112ZP	U36-112ZP
16	Conector	1	L43-5C	L43-5C
17	Tornillo de cabeza hexagonal - 3/8" - 16x1-1/4" de largo	4	†	†

† Artículo estándar de ferretería; se adquiere a nivel local.

PROBLEMA	CAUSA(S) PROBABLE(S)	ACCIÓN CORRECTIVA
El motor no enciende	<p>El interruptor de desconexión está apagado</p> <p>El fusible está quemado o el circuito interruptor se abrió</p> <p>El interruptor de encendido está defectuoso</p> <p>Los cables en el motor están sueltos, desconectados o conectados incorrectamente.</p> <p>Los contactos del interruptor de presión están sucios</p>	<p>Asegúrese de que el interruptor esté encendido</p> <p>Reemplace el fusible o vuelva a cerrar el circuito interruptor</p> <p>DESCONECTE LA ENERGÍA; reemplace el interruptor de encendido</p> <p>Vea las instrucciones sobre las conexiones eléctricas en la sección de Electricidad.</p> <p>DESCONECTE LA ENERGÍA; revise y ajuste toda la conexión eléctrica.</p> <p><b>⚠ ADVERTENCIA</b> El voltaje del capacitor puede ser peligroso. Para descargar el capacitor del motor, tome un desatornillador con mango aislado POR EL MANGO y ponga en corto las terminales del capacitor. No toque la superficie de metal del desatornillador ni las terminales del capacitor. Si tiene alguna duda, consulte a un electricista calificado</p> <p>DESCONECTE LA ENERGÍA y lime los contactos con lima de papel o lima para uñas</p>
El motor se calienta y la sobre carga lo enciende	<p>El motor está conectado incorrectamente</p> <p>El voltaje es muy bajo</p> <p>Los ciclos de la bomba son muy frecuentes</p>	<p>Vea las instrucciones sobre las conexiones eléctricas</p> <p>Verifique con la compañía de energía eléctrica. Instale un cableado de mayor calibre si éste es muy pequeño (Vea la Tabla de Cableado/Electricidad)</p> <p>Vea la sección a continuación sobre ciclos frecuentes</p>
<p>El motor funciona pero no sale agua*</p> <p>* (Nota: <b>Pare la bomba:</b> después verifique el cebado antes de buscar otras causas. Desatornille el tapón de cebado y vea si hay agua en el orificio de cebado)</p>	<p>La bomba en una instalación nueva no recogió el cebado debido a:</p> <ol style="list-style-type: none"> <li>1. Cebado inadecuado</li> <li>2. Fugas de aire</li> <li>3. Fugas en la válvula de retención o en la válvula "check"</li> </ol> <p>La bomba ha perdido cebado debido a:</p> <ol style="list-style-type: none"> <li>1. Fugas de aire</li> <li>2. Nivel de agua por debajo de la entrada de la tubería de succión</li> </ol> <p>La válvula de retención o el filtro están tapados</p> <p>El eyector o el impulsor están tapados</p> <p>La válvula "check" o la válvula de retención están tapadas o cerradas</p> <p>Las tuberías están congeladas</p> <p>La válvula de retención y/o el filtro están enterradas en arena o lodo</p> <p>El nivel de agua es muy bajo para que la instalación para pozo poco profundo entregue agua</p>	<p>En una instalación nueva:</p> <ol style="list-style-type: none"> <li>1. Vuelva a cebarla de según las instrucciones</li> <li>2. Revise todas las conexiones en la línea de succión, CVA y el eyector</li> <li>3. Reemplace la válvula de retención o la válvula "check"</li> </ol> <p>En una instalación que ya esté en uso:</p> <ol style="list-style-type: none"> <li>1. Revise todas las conexiones en la línea de succión y ajuste el sello</li> <li>2. Baje la línea de succión hacia el agua y vuelva a cebar. Si la disminución del nivel de agua excede el levantamiento de succión, es necesario instalar una bomba para pozo profundo</li> </ol> <p>Limpie la válvula de retención o el filtro</p> <p>Limpie el eyector o el impulsor</p> <p>Reemplace la válvula "check" o la válvula de retención</p> <p>Descongele las tuberías. Entierre las tuberías debajo de la línea de congelación. Caliente la casa de bombas o el foso</p> <p>Eleve la válvula de retención y/o el filtro sobre el fondo de la fuente de agua.</p> <p>Limpie la válvula de retención y el filtro</p> <p>Se puede requerir un paquete de propulsor a chorro para pozo profundo (más de 25 pies de profundidad) para suministrar agua</p>
La bomba no produce agua a toda su capacidad	<p>El nivel del agua en el pozo profundo es menor que el que se calculó</p> <p>La tubería de acero (si se utilizó) está corroída u oxidada, ocasionando una fricción excesiva</p> <p>El tamaño de la tubería es muy pequeño</p> <p>Conexión para pozo empacada</p>	<p>Si su pozo tiene una profundidad mayor a 25' (7.6m), necesitará un paquete de propulsor a chorro para pozo profundo</p> <p>Reemplace con tubería de plástico donde sea posible, o de lo contrario con tubería nueva de acero</p> <p>Utilice tubería más grande</p> <p>Contraflujo de la conexión para pozo o para la nueva conexión del fregadero</p>
La bomba entrega agua pero no se apaga o los ciclos de bombeo son muy frecuentes	<p>El interruptor de presión está desajustado o los contactos están soldados juntos</p> <p>Se dejaron las llaves abiertas</p> <p>El venturi, la boquilla o el impulsor están tapados</p> <p>El nivel de agua en el pozo profundo es menor de que se calculó</p> <p>El tanque de presión estándar está tapado por agua y no tiene amortiguador de aire</p> <p>Las tuberías presentan fugas</p> <p>Las válvulas de retención presentan fugas</p> <p>La carga de aire es muy baja en el tanque pre-cargado</p>	<p>DESCONECTE LA ENERGÍA; ajuste o reemplace el interruptor de presión</p> <p>Cierre las llaves</p> <p>Limpie el venturi, la boquilla o el impulsor</p> <p>Reemplace la boquilla y el venturi con la combinación correcta para el pozo</p> <p>Drene el tanque al orificio de control de volumen de aire. Revise que el CVA no presente defectos. Verifique que no haya fugas de aire en ninguna conexión.</p> <p>Revise las conexiones</p> <p>Reemplace la válvula de retención</p> <p>DESCONECTE LA ENERGÍA y abra las llaves hasta que la presión haya sido liberada. Mida la presión del aire en el tanque con un calibrador de neumáticos en el vástago de la válvula que se encuentra en el tanque. Si la presión es menor a la de cierre del interruptor de presión (30 - 50 PSI), bombee aire hacia el tanque desde una fuente externa hasta que la presión del aire sea 2 PSI menos que la presión de cierre del interruptor. Verifique que no haya fugas en la válvula de aire (utilice una solución jabonosa) y reemplace el centro si es necesario</p>
Sale aire de las llaves	<p>La bomba está jalando el cebado</p> <p>Fuga en el lado de la succión de la bomba</p> <p>El pozo es gaseoso</p> <p>Sobre-bombeo intermitente del pozo, (agua sacada de abajo de la válvula de retención)</p>	<p>Cuando la válvula recoge el cebado, todo el aire será liberado</p> <p>Si la tubería de succión está succionando aire, utilice agua jabonosa para revisar si las conexiones tienen fuga</p> <p>Consulte a la fábrica sobre la instalación de una camisa en el pozo</p> <p>Baje la válvula de retención si es posible, si no restrinja la descarga de la bomba</p>