



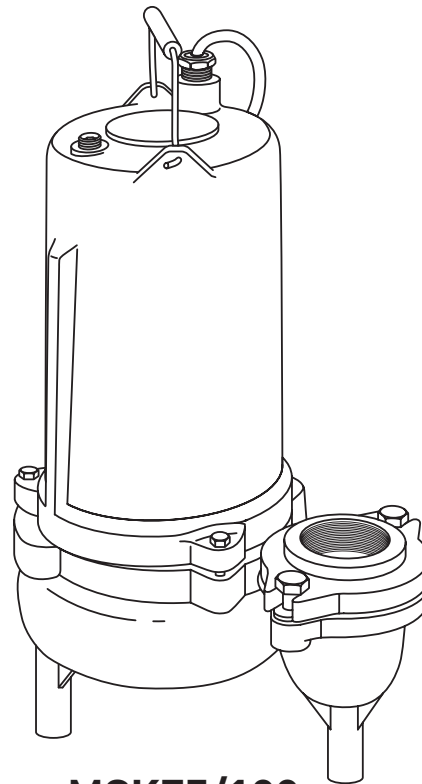
INSTALLATION AND OPERATOR'S MANUAL  
**Submersible Sewage Ejector Pump**

INSTALLATION ET MANUEL DE  
L'OPÉRATEUR

**Pompe submersible d'eaux d'égout**

MANUAL DEL OPERADOR E INSTALACIÓN  
**Bomba cloacal sumergible de chorro**

**MYERS®**



**MSK75/100**

**Installation/Operation/Parts**

For further operating, installation, or maintenance assistance:

**Call 1-888-987-8677**

**English .....Pages 2-13**

**Installation/Fonctionnement/Pièces**

Pour plus de renseignements concernant l'utilisation, l'installation ou l'entretien,

**Composer le 1 (888) 987-8677**

**Français .....Pages 14-25**

**Instalación/Operación/Piezas**

Por más información sobre la operación, instalación o mantenimiento:

**Llamar al 1-888-987-8677**

**Español ..... Páginas 26-37**

293 WRIGHT STREET, DELAVAN, WI 53115 WWW.FEMYERS.COM  
PH: 888-987-8677 ORDERS FAX: 800-426-9446

490 PINEBUSH ROAD, UNIT 4, CAMBRIDGE, ONTARIO, N1T 0A5  
PH: 800-363-7867 ORDERS FAX: 888-606-5484

Contents

**Important Safety Instructions . . . . .2**

**Installation . . . . .3**

**Operation . . . . .5**

**Maintenance . . . . .5**

    Resistance Checks . . . . . 6

    Reassembly . . . . . 7

    Oil fill. . . . . 8

**Troubleshooting . . . . .9**

**Repair Parts . . . . .10**

**Warranty . . . . .12**

**Product Specifications . . . . .13**

**Important Safety Instructions**

**SAVE THESE INSTRUCTIONS** - This manual contains important instructions that should be followed during installation, operation, and maintenance of the product. Save this manual for future reference.

**⚠** This is the safety alert symbol. When you see this symbol on your pump or in this manual, look for one of the following signal words and be alert to the potential for personal injury!

**⚠ DANGER** indicates a hazard which, if not avoided, *will* result in death or serious injury.

**⚠ WARNING** indicates a hazard which, if not avoided, *could* result in death or serious injury.

**⚠ CAUTION** indicates a hazard which, if not avoided, *could* result in minor or moderate injury.

**NOTICE** addresses practices not related to personal injury. The manufacturer cannot anticipate every possible circumstance that might involve a hazard. The warnings in this manual, and the tags and decals affixed to the unit are, therefore, not all-inclusive. If you use a procedure or operating technique that the manufacturer does not specifically recommend, you must satisfy yourself that it is safe for you and others. You must also make sure that the procedure or operating technique that you choose does not render the system unsafe.

Electrically powered sewage pumps normally give many years of trouble-free service when correctly installed, maintained, and used. However, unusual circumstances (interruption of power to the pump, large solids in the sump, flooding that exceeds the pump’s capacity, electrical or mechanical failure in the pump, etc.) may prevent your pump from functioning normally. To prevent possible damage, consult your dealer about installing a secondary sewage pump or a high water alarm.

See *Troubleshooting* in this manual for information about common sewage pump problems and remedies. For more information, see your retailer, call Hydromatic customer service at 1-888-957-8677 or visit our web site at [hydromatic.com](http://hydromatic.com).

**⚠ WARNING Hazardous voltage - risk of electrical shock.** Shock can cause serious injury or death. Failure to follow the warnings below can result in fatal electric shock.

**⚠ WARNING Burn Hazard.** Motors can operate at high temperatures. Do not touch an operating motor. To do so can cause personal injury.

**⚠ CAUTION Risk of flooding.** If a flexible discharge hose is used, pump may move around in sump when motor starts. If it moves far enough so that the switch hits the side of sump, the switch may stick and prevent the pump from starting. Make sure the pump is secured so it cannot move around in the sump.

**⚠️ WARNING** Hazardous pressure and gas - risk of explosion and personal injury. Failure to follow the warnings that follow can result in personal injury.

1. If your basement has water or moisture on the floor, do not walk on the wet area until all the power has been turned off. If the shut-off box is in the basement, call the electric company or the hydro authority to shut off the service to the house, or call your local fire department for instructions. Do not handle the pump or pump motor with wet hands or when standing on wet or damp surfaces.
2. Connect only to a properly grounded receptacle.
3. All wiring should be performed by a qualified electrician.
4. Protect the electrical cord from sharp objects, hot surfaces, oils, and chemicals. Observe the *Cord Lift Warning* shown below.
5. Risk of explosion and hazardous gas. Septic tank must be vented in accordance with local plumbing codes.

Do not smoke or use sparkable electrical devices or flame in a septic (gaseous) or possible septic sump.

If a septic sump condition exists and if entry into sump is necessary, then (1) provide proper safety precautions per OSHA requirements and (2) do not enter sump until these precautions are strictly adhered to.

Do not install pump in location classified as hazardous per N.E.C., ANSI/NFPA 70- 2001.

6. Know the pump application, limitations and potential hazards.

7. Wear safety glasses at all times when working with the pump.
8. Keep the work area clean, uncluttered and properly lighted - secure all unused tools and equipment.
9. Keep visitors at a safe distance from working area.
10. Make the workshop child-proof - with padlocks, master switches, and by removing starter keys.
11. Release all pressure within the system before servicing any component.
12. Provide a means of pressure relief for pumps whose discharge line can be shut-off or obstructed.
13. Periodically inspect the pump and system components. Perform routine maintenance as required.
14. Drain all the liquid from the system before servicing.

### California Proposition 65 Warning

**⚠️ WARNING** This product and related accessories contain chemicals known to the State of California to cause cancer, birth defects or other reproductive harm.


## Installation

Thank you for purchasing this Hydromatic® pump. To help ensure years of trouble-free operation, please read the manual carefully.

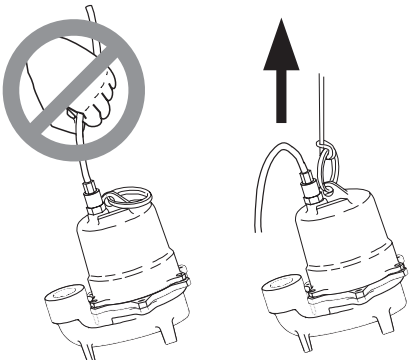
Before installation, check your local electrical and plumbing codes. Typical sewage pump installations are shown on the next page.

## Cord Lift Warning

**⚠️ WARNING**

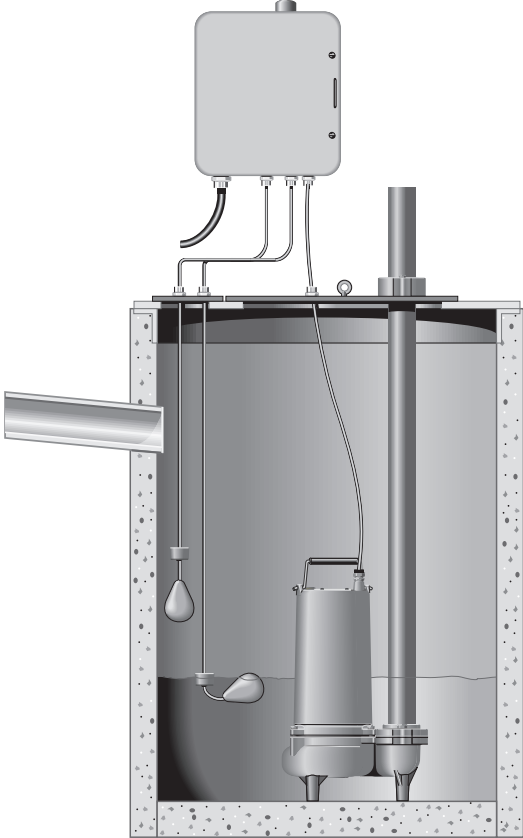


**Risk of electrical shock.  
Can burn or kill.  
Do not lift pump by  
power cord.**



**Risk of electrical shock and fire.**

1. Attempting to lift or support the pump by the power cord can damage cord and cord connections, expose bare wires, and cause a fire or electrical shock.
2. Use handle on top of pump for all lifting or lowering of pump. Disconnect the power to the pump before doing any work on it or attempting to remove it from the pit.
3. Lifting or supporting the pump by the power cord will void the warranty.



**Typical Simplex Installation**



**Typical Duplex Installation**

**Follow these guidelines for installation:**

1. Provide properly sized pit (see *Specifications*) on sewage tank. Minimum pump run time is two minutes. For maximum pump life, three minutes is recommended.
2. Make sure sump is free of string, cloth, nails, gravel, etc. before installing pump.
3. Do not set pump directly on the bottom of sump pit if it is not solid. Raise the pump by using bricks or concrete blocks underneath it.
4. Do not remove ground pin from electrical plug.
5. Do not use an extension cord to operate this pump.
6. For proper automatic operation, make sure the pump power cord is plugged into the piggyback receptacle on the switch cord. Three phase models must be properly connected to a suitable control panel. Do not cut, crimp, or bend single phase switch power cord. The vent tube needs to “breathe” for proper operation of switch. This may cause pump failure and void warranty.
7. Use steel or plastic pipe for all connecting lines between pump and sewer outlet.  
**NOTICE:** Some city regulations do not allow installing a pump with plastic pipe. Check local regulations.
8. Use PTFE pipe thread sealant tape on pipe connections. Do not use ordinary pipe joint compound on plastic pipe or pump. Pipe joint compound can attack plastics and damage pump.
9. In applications where the pump may sit idle for months at a time, it is recommended that the pump(s) be cycled every month to ensure the pumping system is working properly when needed.
10. A check valve should be installed horizontally in the discharge pipe.
11. The optional Hydromatic Q Alert is an audible alarm system for high water conditions. It should be installed in every sump for greater protection.  
**NOTICE:** Q Alert is for indoor use only. Other Q Alarm and control panels are available for outdoor use. Contact your Hydromatic distributor for applications.

12. Use pump partially or completely submerged for pumping waterlike liquids. The pump will pump solid materials up to 2" (spherical) in diameter. This pump has not been investigated for use in swimming pool areas.

**▲ CAUTION Risk of fire.** Do not pump flammable liquids. Strong chemicals or salt water should not be pumped without consulting your Hydromatic distributor for proper seals and coatings.

## Operation

**NOTICE:** Do not allow pump to run in a dry sump. Doing so will void the warranty and may damage the pump.

An automatic overload protector in the motor will protect the motor from burning out due to overheating/overloading. When the motor cools down, the overload protector will automatically reset.

If overload trips frequently, check for the cause. It could be a stuck impeller, wrong/low voltage, or electrical failure in motor. If an electrical failure in the motor is suspected, have it serviced by a competent repairman.

## Maintenance

Read the following instructions carefully before replacing any parts. Reasonable care and safe methods should be practiced. Check local codes and requirements before installation. Only a competent plumber or electrician should make the installations.

Submerge pump in a disinfectant solution (dilute chlorine bleach) for at least one hour before disassembling pump. Check for an obstruction in the impeller by looking through the suction hole of the pump. The shaft should turn freely if unobstructed. Keep fingers, clothing or any material from suction inlet.

**The steps described in this section should be performed only by an authorized service center.**

**NOTICE:** Read all directions before replacing any parts. Always remove pump from power source before servicing.

The numbers in parentheses, such as "(3)" or "(16)", refer to item numbers used on the *Repair Parts* diagram.

## Using an ohmmeter

To be sure wires are not burned off or broken, use an ohmmeter to perform resistance checks. Set ohmmeter scale to R X 1 scale and check meter by putting both meter leads together and adjusting the needle knob until meter reads zero. If meter cannot be adjusted to zero, the batteries in meter must be replaced.

**NOTICE:** Always reset meter to zero [0] when going to a new scale before making any measurements.

If wire is OK, meter needle will go to near zero and stay there. If meter needle does not move, the wire has an open and the wire must be repaired or replaced.

## Resistance Checks

- For single phase (1Ø) pumps, attach one meter lead to the white cord wire of the power cord and the other meter lead to the black cord wire. This reading should match the resistance shown in *Winding Resistance Chart, 1Ø, 230V*.

Model	Start Winding	Run Winding	Total
MSK75	6.63 Ω	3.06 Ω	9.69 Ω
MSK100	8.57 Ω	2.35 Ω	10.92 Ω

### Winding Resistance Chart, 1Ø, 230V

For three phase (3Ø) pumps, repeat the above procedure for white and red wires as well as red and black wires. Each of the three separate readings should read approximately the same and should match the resistance shown in *Winding Resistance Chart, 3Ø*. If no resistance is obtainable for any of the three phases, either a wire is broken, there is a bad connection or the winding is defective. Skip Steps 5 and 8 if resistance is OK.

	200V	230V	460V	575V
<b>Model</b>	Any one phase	Any one phase	Any one phase	Any one phase
MSK75, MSK100	7.31 Ω	9.66 Ω	38.65 Ω	60.39 Ω

### Winding Resistance Chart, 3Ø

- Remove plug (3) from top of housing (4) and pour oil into a clean glass container. If oil is clear, it will indicate motor is not burned and there has been no water leak into the motor. If oil is black, it will indicate a burned stator. If oil is cloudy, it will indicate water in motor oil, so all seals should be replaced.

- After draining oil, remove the hex head cap screws (7) that attach motor housing (4) to volute (11). Slide motor housing upward 5 to 6 inches in order to expose power cord wire connections to motor (5). Disassemble power cord wire connections from motor and then disassemble power cord from motor housing. Using the wire leads from the motor, check the winding resistance with an ohmmeter.

#### For Single Phase (1Ø)

- Attach one meter lead to the white cord wire and the other meter lead to the black cord wire. See *Winding Resistance Chart, 1Ø, 230V* for an appropriate resistance reading. Repeat this procedure for the black cord wire and red lead wire. This reading is the start winding resistance. Also repeat this procedure for the white cord wire and the red cord wire. This reading is the total motor winding resistance. If no resistance is obtainable for either the start or main winding, either there is a bad connection or the winding is defective.

#### For Three Phase (3Ø)

- Twist the three leads of one end of the power cord together. Then at the other end, with an ohmmeter, check any two leads. Check the third lead with either of the first two. If a zero reading is indicated for any wire, the wire is broken and a new power cord assembly must be installed.
- Ground check on stator should be performed using ohmmeter with scale set to R X 100K. Connect one meter lead to one lead of the stator and touch the other meter lead to the housing (4). If the resistance to the ground is less than 500,000 ohms, there is moisture in the winding or leakage through stator insulation. The stator must be dried out and then rechecked on the ohmmeter. If the resistance is still less than 500,000 ohms after drying, the stator must be replaced. A zero reading indicates a direct short, and the stator will have to be replaced.



7. If the wiring is grounded and there is no apparent moisture in the oil (see step 2), the stator must be checked with a high pot tester.

**⚠ WARNING Shock Hazard.** Due to the high voltage, use extreme care when using the high pot tester. A dangerous shock can be avoided with careful handling of the test probes.

Using a voltage of 1500 volts for 115 volt motors and 2000 volts for 230 volt motors, touch one probe to the white lead and the other probe to the stator laminations for only one second. Buzzing will indicate arcing is occurring at a breakdown of insulation or a small amount of moisture is present. The stator will then have to be dried out or replaced.

The high pot test is very destructive. So, each time the same stator is checked, the voltage should be lowered about 250 volts. If not, you may cause the stator to short by breaking down the insulation.

8. Repeat step 4, this time attaching the meter leads to the stator wires. If a zero reading is obtained, the winding is defective and the stator must be replaced.
9. Remove the impeller screw and impeller washer, then unscrew the impeller (10). Hold the rotor/shaft assembly with a screwdriver and carefully tap impeller with a plastic or rubber hammer.
10. Remove the flat head machine screw from seal plate (9). Remove clamp ring (8) and motor housing (4) off the seal plate (9).
11. Remove the four hex head stator bolts and lift the stator from the seal plate (9). A screwdriver can be inserted under the stator shell in order to remove the stator.
12. Bump the end of the shaft with a plastic hammer. This will push the rotating half of the mechanical seal (14) from the shaft and also push the lower bearing from the seal plate (9). Now remove the shaft, rotor and bearing assembly from the seal plate (9).
13. If water is found in the oil, both the rotating and stationary halves of the mechanical seal (14) must be replaced. Remove the stationary seal half by inserting a screwdriver into seal plate (9) from the top and tapping lightly with a hammer.
14. Turn the bearing by hand: if it feels rough when turned or looks rusted, it should be replaced. Use a bearing puller to remove the bearing.

### Reassembly

1. Thoroughly clean the seal (14) and bearing pockets in the volute. All sand and dirt must be removed.
2. If the stationary seal half was removed, coat the replacement stationary seal half with O-ring lube and use a plastic pusher to press it into the motor housing (4). Make sure the rubber ring goes in first. Do not use any sharp objects that may damage the seal.
3. When installing a replacement bearing, press only on the inner face and make sure the bearing is flush against the snap ring. If a press is not available, the bearing can be tapped onto the shaft using a sleeve that bears only on the inner face. Pressing on the outer face will ruin the bearing.

**NOTICE:** Never pound on the outer face of the bearing as this will cause bearing damage.

4. Push the shaft, rotor and ball bearing assembly into the seal plate (9), being careful not to chip the ceramic of the stationary seal half.
5. Replace the motor (5) if it is visibly burned or if the ground resistance test or the winding resistance test has failed. Note that the replacement stator must be of the same manufacture as the existing rotor or vice versa. Replace the four stator bolts.
6. Coat the rubber ring on the rotating seal half with O-ring lube and press the seal onto the shaft with the rubber ring facing the impeller (10).

**NOTICE:** Mixing old and new seal parts will cause immediate seal failure. When replacing seal, replace both the rotational and the stationary seal halves.

7. Attach clamp ring (8) to seal plate (9) and secure with machine screws.
8. Install impeller (10) onto the pump shaft. On 3ø models fasten the impeller washer with the impeller screw to the pump shaft.
9. Turn impeller (10). It should turn freely with no drag.
10. Place motor/seal plate assembly into the volute case (11).
11. Place the new O-ring (6) over the seal plate shoulder.
12. Clean motor housing assembly and connect power cord into cord entry of motor housing.
13. Connect power cord wires to motor connections and then slide motor housing assembly over motor.
14. Secure motor housing to volute case with three hex head screws (7).
15. Reach in the eye of the volute (11) and turn impeller (10) again. It should turn freely with no drag.
16. Before filling the motor housing with oil, a seal leak test should be performed. Apply 7 to 8 pounds of air pressure in the 1/4" NPT tap (3) on the top of the motor cover and seal chamber.

**NOTICE** Too much pressure will damage the seal. Seal would have to be replaced.

Then submerge the pump in water and check for leaks. If a leak occurs, isolate where it is coming from and correct the problem by replacing the failed part.

7. Hydromatic pumps have a small air vent hole in the impeller cavity to let out trapped air. If this hole becomes plugged, pump may air lock. To break the air lock, use a small screwdriver to clear hole in the impeller cavity.

As a secondary precaution in installations of this type, an 1/8" hole should be drilled in the discharge pipe just above the volute. The check valve should be at least 12 inches above pump discharge. Do not put check valve directly into pump discharge opening.

**NOTICE** In sumps where the pump is operating daily, air locking rarely occurs.

## Oil fill

1. After seal leak test is satisfactory, remove unit from water and wipe or blow off any excess water.
  2. Do not put oil in motor with any water present in motor cavity.
  3. Use refined paraffinic transformer oil, <sup>1</sup>Shellflex™ 2210 or equivalent.
- <sup>1</sup> Shell Oil Company, Texas
4. Slowly fill oil to 1/8" over windings in motor housing through opening (3). Use an oil fill tube that will go into holes so that air can escape. Replace plug (3).  
**NOTICE** Do not fill the motor housing completely – allow air space for expansion.
  5. Connect power cord wires to terminals in panel, or connect power source, and check pump running. Motor should run smoothly and be free of vibration. Pump is ready for operation.

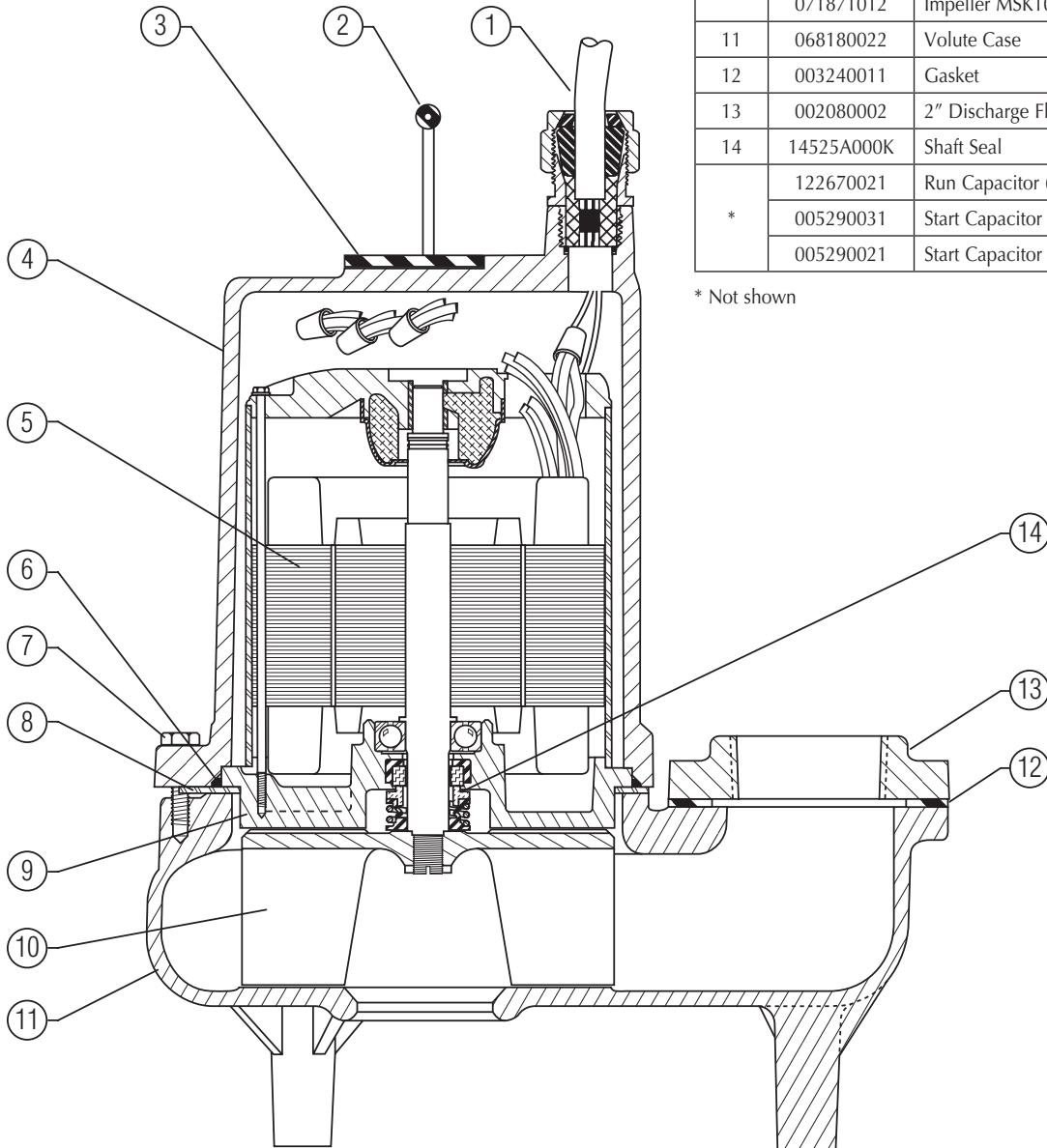
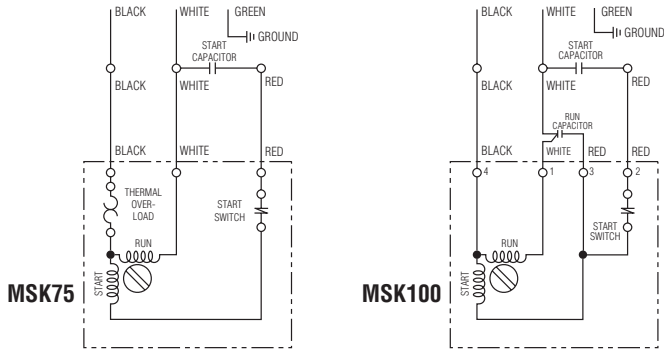


**⚠️ WARNING Hazardous voltage.** Can shock, burn, or kill. Disconnect power before attempting any service or repair work on pump.

**⚠️ WARNING Hazardous impellers and unexpected starts which can cause loss of fingers.** Keep hands away from pump suction inlet when working on or servicing pump.

Symptom	Possible Cause(s)	Corrective Action
Motor not running	Motor protector tripped.	Allow motor to cool. Make sure pump is completely submerged. Clear debris from volute and impeller. Check for high amp draw.
	Open circuit breaker or blown fuse.	Replace fuse or reset breaker. If circuit breaker opens repeatedly, don't reset it - call a licensed electrician.
	Impeller clogged or binding.	Check amp draw. If it is more than twice the nameplate amps, the impeller is locked. Bearings and shaft may be damaged. DISCONNECT POWER, clear debris from volute, impeller, and cutter as needed.
	Power cable damaged.	Resistance between power cable and ground should be infinity. If any reading is less than infinity, call a licensed electrician.
	Bad control panel.	Inspect control panel wiring. Call a licensed electrician.
	Defective liquid level switch.	With switch disconnected from power, check continuity through switch while activating liquid level switch. Replace switch if necessary.
	Not enough liquid in wet well to activate controls.	Allow the liquid to rise several inches above the switch-on level.
	Liquid level cords tangled	Untangle cords for free operation.
	Automatic controls defective	Try running pump in manual mode. If it runs, the automatic control is at fault.
Pump runs continuously	Liquid level control cords tangled	Untangle cords for free operation.
	Pump is airlocked.	Stop pump for about one minute, then restart. Repeat stopping and starting until the airlock clears. If the airlock persists, DISCONNECT POWER, pull the pump and drill a 1/8" hole in the discharge pipe between the pump discharge and the check valve.
	Flow in matches or exceeds the pump's capacity.	A larger pump or more pumps may be needed.
Little or no effluent delivered from pump	Check valve plugged, stuck shut, or installed backwards.	Make sure check valve is installed correctly (flow arrow should point away from pump) and functioning correctly.
	System head excessive.	Consult dealer.
	Pump suction plugged.	DISCONNECT POWER, pull pump, inspect, and clear as needed.
	Wrong voltage or not wired correctly.	Check pump's rotation; check nameplate voltage against supply voltage (they must match); consult a licensed electrician.
	Pump is air locked.	Stop pump for about one minute, then restart. Repeat stopping and starting until the airlock clears. If the airlock persists, DISCONNECT POWER, pull the pump and drill a 1/8" hole in the discharge pipe between the pump discharge and the check valve.
	Worn or damaged impeller.	DISCONNECT POWER, pull pump and inspect impeller. Replace if necessary.
	Liquid level controls incorrectly installed or defective.	Reposition or replace as necessary.
Pump cycles constantly	No discharge check valve installed.	Install discharge check valve.
	Discharge check valve stuck open.	Repair or replace check valve as necessary.
	Sewage wetwell too small.	Consult dealer.
	Liquid level controls incorrectly installed or defective.	Reposition or replace as necessary.
	Pump too small for inlet flow.	Consult dealer about larger pump or second pump.

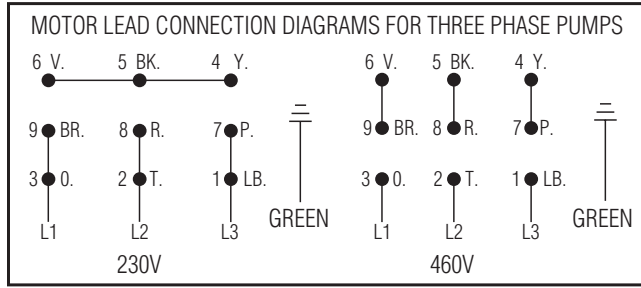
## Single Phase



Item	Part Number	Description	Qty.
1	132160225	Power Cord 20'	1
	132160205	Power Cord 20', no plug	
2	000600005	Handle	1
3	149810011	Pipe Plug	1
4	000565001	Motor Housing	1
5	133591001	Motor 230V (MSK100)	1
	133581001	Motor 200V (MSK75)	
	133601001	Motor 200V (MSK100)	
	133571001	Motor 230V (MSK75)	
6	000770031	O-Ring	1
7	001010101	Screw Hex Hd. Cap	3
8	056770003	Clamp Ring	1
9	068460002	Seal Plate	1
10	071871022	Impeller MSK75	1
	071871012	Impeller MSK100	
11	068180022	Volute Case	1
12	003240011	Gasket	1
13	002080002	2" Discharge Flange	1
14	14525A000K	Shaft Seal	1
*	122670021	Run Capacitor (MSK100 only)	1
	005290031	Start Capacitor MSK75	1
	005290021	Start Capacitor MSK100	1

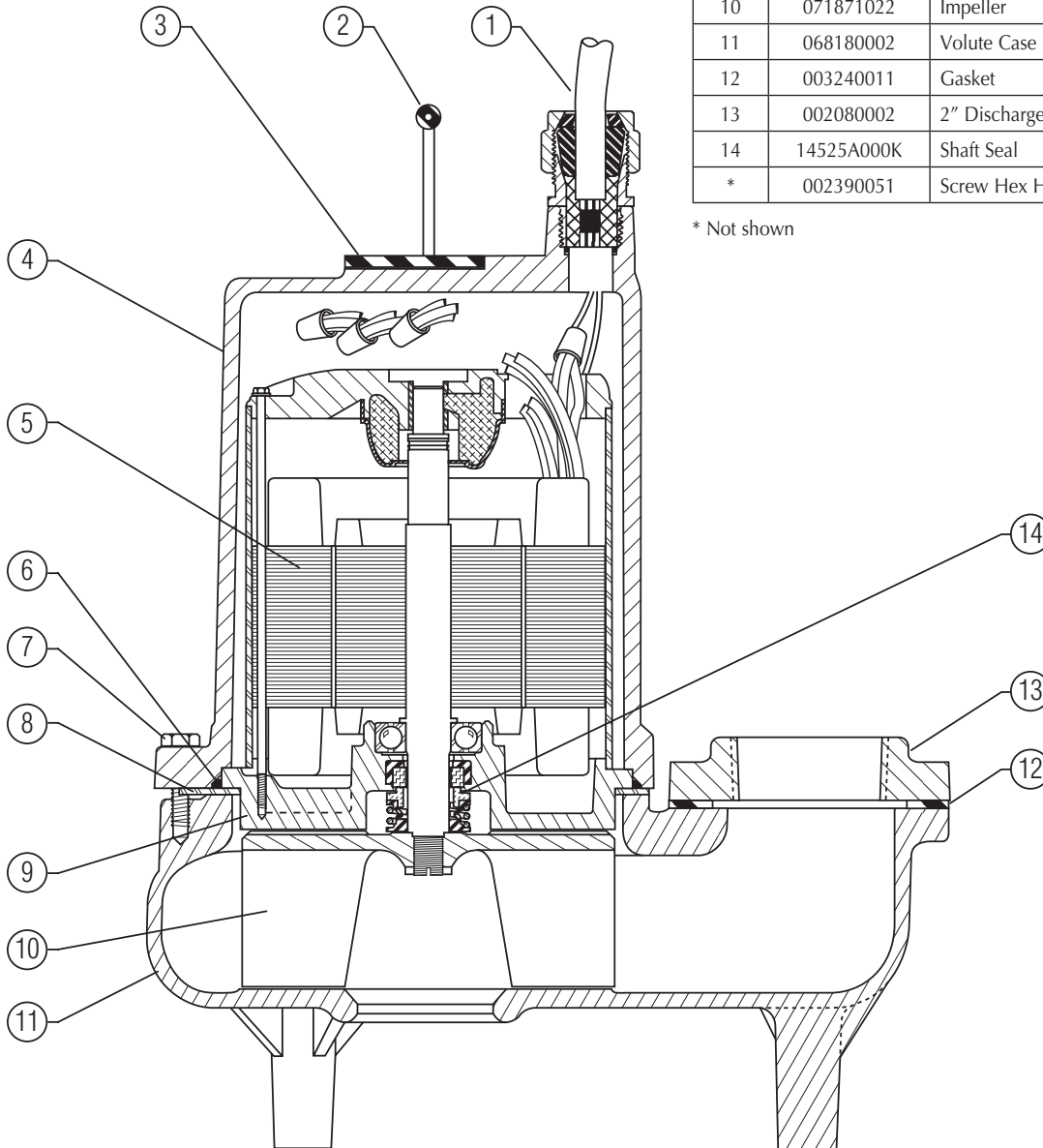
\* Not shown

## Three Phase



Item	Part Number	Description	Qty.
1	116440895	Power Cord 20'	1
2	000600005	Handle	1
3	149810011	Pipe Plug	1
4	000565001	Motor Housing	1
5	108393001	Motor 200V (MSK75)	1
	108373001	Motor 200V (MSK100)	
	108391001	Motor 230-460V (MSK75)	
	108371001	Motor 230-460V (MSK100)	
	108407001	Motor 575V (MSK75)	
	108387011	Motor 575V (MSK100)	
6	000770031	O-Ring	1
7	001010101	Screw Hex Hd. Cap	3
8	056770003	Clamp Ring	1
9	068460002	Seal Plate	1
10	071871022	Impeller	1
11	068180002	Volute Case	1
12	003240011	Gasket	1
13	002080002	2" Discharge Flange	1
14	14525A000K	Shaft Seal	2
*	002390051	Screw Hex Hd. Cap (disc. flg.)	2

\* Not shown



**LIMITED WARRANTY**

**Myers® warrants to the original consumer purchaser (“Purchaser” or “You”) of the products listed below, that they will be free from defects in material and workmanship for the Warranty Period shown below.**

<b>Product</b>	<b>Warranty Period whichever occurs first:</b>
Jet pumps, small centrifugal pumps, submersible pumps and related accessories	12 months from date of original installation, or 18 months from date of manufacture
Fibrewound Tanks	5 years from date of original installation
Steel Pressure Tanks	5 years from date of original installation
Sump/Sewage/Effluent Products	12 months from date of original installation, or 36 months from date of manufacture
Battery Backup Units	
MBSP-2, MBSP-2C	12 months from date of original installation, or 18 months from date of manufacture
MBSP-3, MBSP-3C	24 months from date of original installation, or 30 months from date of manufacture
Wastewater Solids Handling Pumps	12 months from date of shipment from factory or 18 months from date of manufacture

Our warranty applies only where such products are used in compliance with the requirements of the applicable product catalog and/or manuals. For additional information, please refer to the applicable standard limited warranty featured in the product manual.

Our warranty will not apply to any product that, in our sole judgement, has been subject to negligence, misapplication, improper installation, or improper maintenance. Without limiting the foregoing, operating a three phase motor with single phase power through a phase converter will void the warranty. Note also that three phase motors must be protected by three-leg, ambient compensated, extra-quick trip overload relays of the recommended size or the warranty is void.

Your only remedy, and MYERS’s only duty, is that MYERS repair or replace defective products (at MYERS’s choice). You must pay all labor and shipping charges associated with this warranty and must request warranty service through the installing dealer as soon as a problem is discovered. No request for service will be accepted if received after the Warranty Period has expired. This warranty is not transferable.

MYERS SHALL NOT BE LIABLE FOR ANY CONSEQUENTIAL, INCIDENTAL, OR CONTINGENT DAMAGES WHATSOEVER.

THE FOREGOING LIMITED WARRANTIES ARE EXCLUSIVE AND IN LIEU OF ALL OTHER EXPRESS AND IMPLIED WARRANTIES, INCLUDING BUT NOT LIMITED TO IMPLIED WARRANTIES OF MERCHANTABILITY AND FITNESS FOR A PARTICULAR PURPOSE. THE FOREGOING LIMITED WARRANTIES SHALL NOT EXTEND BEYOND THE DURATION PROVIDED HEREIN.

Some states do not allow the exclusion or limitation of incidental or consequential damages or limitations on the duration of an implied warranty, so the above limitations or exclusions may not apply to You. This warranty gives You specific legal rights and You may also have other rights which vary from state to state.

This Limited Warranty is effective April 1, 2014 and replaces all undated warranties and warranties dated before April 1, 2014.

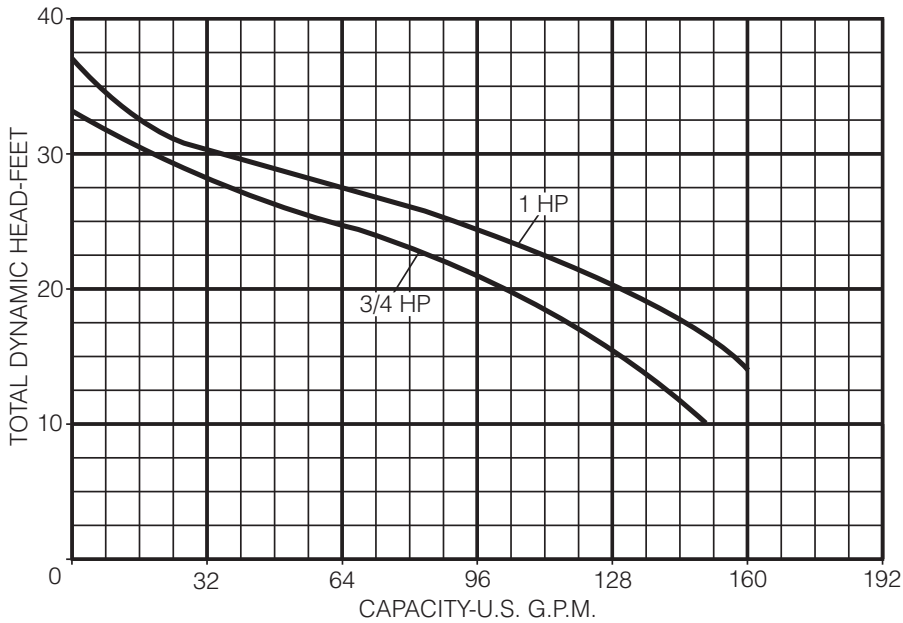
**MYERS**

293 Wright Street, Delavan, WI 53115  
 Phone: 888-987-8677 • Fax: 800-426-9446 • www.femyers.com  
 In Canada: 490 Pinebush Road, Unit 4, Cambridge, Ontario N1T 0A5  
 Phone: 800-363-7867 Fax: 888-606-5484

## Product Specifications

Model	MSK75	MSK100
Typical Application:	Sewage, effluent, dewatering	
Capacities:	up to 147 GPM (556 LPM)	up to 160 GPM (606 LPM)
Heads:	up to 34 ft (10.3 m)	up to 38 ft (11.6 m)
Electrical:	208V 1 $\phi$ 10.4 FLA, 60Hz; 230V, 1 $\phi$ , 9 FLA, 60Hz; 230V, 3 $\phi$ , 3.5 FLA, 60Hz; 460V, 3 $\phi$ , 1.8 FLA, 60Hz; 575V, 3 $\phi$ , 1.44 FLA, 60Hz	208V, 1 $\phi$ , 11.5 FLA, 60Hz; 230V, 1 $\phi$ , 10 FLA, 60Hz; 230V, 3 $\phi$ , 4.4 FLA, 60Hz; 460V, 3 $\phi$ , 2.2 FLA, 60Hz; 575V, 3 $\phi$ , 1.7 FLA, 60Hz
Motor:	3/4 HP (with start capacitor, single phase), 1750 RPM	1 HP (with start capacitor, single phase), 1750 RPM
Intermittent Liquid Temperature:	140°F (60°C)	
Minimum Recommended Sump Diameter:	Simplex = 24" (609.6 mm); Duplex = 36" (914.4 mm)	
Automatic Operation:	No Switch Standard (Manual) (Wide Angle Tethered Optional)	
Materials of Construction:	Class 30 cast iron	
Impeller:	Class 30 Cast Iron, Two Vane	
Discharge Size:	2" NPT (5.08 cm) standard, 3" NPT (7.62 cm) optional	
Solids Handling:	2" (50.8 mm)	
Power Cord:	20' STW-A	

## Performance Curve




## Table des matières

<b>Directives de sécurité importantes</b> . . . . .	<b>14</b>
<b>Installation</b> . . . . .	<b>15</b>
<b>Utilisation</b> . . . . .	<b>17</b>
<b>Entretien</b> . . . . .	<b>17</b>
Tests de résistance . . . . .	18
Remontage . . . . .	19
Remplissage avec de l'huile . . . . .	20
<b>Dépannage</b> . . . . .	<b>21</b>
<b>Pièces de rechange</b> . . . . .	<b>22</b>
<b>Garantie</b> . . . . .	<b>24</b>
<b>Caractéristiques du produit</b> . . . . .	<b>25</b>

## Directives de sécurité importantes

**Conservez ces directives** – Ce manuel renferme d'importantes directives qu'il faut suivre durant l'installation et l'entretien de la pompe.

Ce symbole  indique qu'il faut être prudent. Lorsque ce symbole apparaît sur la pompe ou dans cette Notice, rechercher une des mises en garde qui suivent, car elles indiquent un potentiel de blessures corporelles!

Le mot signal **DANGER** indique un danger qui, s'il n'est pas évité, *causera* la mort ou des blessures graves.

Le mot signal **AVERTISSEMENT** indique un risque qui, s'il n'est pas évité, *pourrait causer* la mort ou des blessures graves.

Le mot signal **ATTENTION** indique un risque qui, s'il n'est pas évité, *pourrait causer* des blessures mineures ou modérées.

Le mot **AVIS** est utilisé pour les pratiques qui ne sont pas reliées aux blessures personnelles.

Le fabricant ne peut anticiper toutes les circonstances potentielles pouvant comporter un danger. Par conséquent, les avertissements contenus dans le présent manuel, ainsi que les plaques et les décalques apposés sur l'unité n'englobent pas toutes les possibilités. Si vous utilisez une procédure, une méthode de travail ou une technique d'opération non spécifiquement recommandée par le fabricant, vous devez vous assurer qu'elle ne compromet pas votre sécurité ni celle des autres. Vous devez également vous assurer que la procédure, la méthode de travail ou la technique d'opération que vous choisissez ne rende pas la pompe dangereuse.

Normalement, les électropompes de puisard fournissent de nombreuses années de service sans incident si elles sont bien posées, entretenues et utilisées. Toutefois, certaines circonstances inhabituelles (interruption du courant alimentant la pompe, saletés/débris dans le puisard, envahissement par l'eau dépassant le débit de pompage de la pompe, panne mécanique ou électrique de la pompe, etc.) peuvent empêcher la pompe de fonctionner normalement. Pour empêcher toute possibilité de dommages causés suite à un envahissement par l'eau, consulter le marchand de chez qui la pompe a été achetée concernant la pose d'une pompe de puisard secondaire, d'une pompe de puisard de secours fonctionnant sur le courant continu et/ou d'une alarme de niveau haut d'eau.

Se reporter au «Recherche des pannes» de cette Notice pour tout renseignement concernant les problèmes courants des pompes de puisard et comment y remédier. Pour plus de renseignements, s'adresser au marchand de chez qui on a acheté la pompe ou appeler le service à la clientèle Hydromatic en composant le 1 888-957-8677 ou consulter notre site web hydromatic.com.

**AVERTISSEMENT** **Tension dangereuse - risque de secousses électriques.** Les secousses électriques risquent de causer de graves blessures, voire la mort. Ne pas respecter les avertissements qui suivent risque de causer une électrocution mortelle.

**AVERTISSEMENT** **Risque de brûlure pouvant causer de graves blessures.** Les moteurs modernes peuvent fonctionner par des températures élevées. Ne pas toucher un moteur qui fonctionne.

**ATTENTION** **Risque d'inondation pouvant causer de graves blessures, ou des dommages matériels.** Si un tuyau de refoulement souple est utilisé, la pompe risque de se déplacer dans le puisard lorsque le moteur démarrera. Si elle se déplace suffisamment loin, l'interrupteur risque de venir heurter la paroi du puisard et se coincer, ce qui empêchera la pompe de démarrer. S'assurer que la pompe est bien immobilisée de façon qu'elle ne puisse pas se déplacer dans le puisard.



**⚠ AVERTISSEMENT** Pression dangereuse - risque d'explosion et de blessures corporelles. Ne pas respecter les avertissements qui suivent risque de causer des blessures corporelles.

1. Si le sol du sous-sol est humide ou couvert d'eau, ne pas marcher sur cette surface humide tant que toute l'alimentation en courant électrique n'aura pas été interrompue. Si le sectionneur principal se trouve au sous-sol, appeler la compagnie qui fournit l'électricité pour lui demander d'interrompre le service parvenant à la maison ou appeler le service d'incendie local pour plus de renseignements. Ne pas manipuler la pompe ou le moteur lorsqu'on a les mains mouillées ou lorsqu'on se tient sur une surface humide, mouillée ou dans l'eau.
2. Ne brancher cette fiche que dans une prise de courant adéquatement mise à la terre.
3. Tout le câblage doit être effectué par un électricien qualifié.
4. Protéger le cordon électrique contre les objets tranchants, les surfaces chaudes, l'huile et les produits chimiques. Observer le *Avertissement concernant le levage par le cordon* indiquées ci-dessous.
5. Risque d'explosion et de présence de gaz dangereux. Le système septique doit bénéficier d'une aération conformément aux codes de plomberie locaux.

Ne fumez pas, n'utilisez pas d'appareils électriques à étincelle ou de flamme dans une fosse septique (gazeuse) ou si le puisard est susceptible d'être septique.

S'il y a possibilité que le puisard soit septique et que l'on doive y entrer : (1) observez les précautions de sécurité appropriées conformément aux exigences OSHA et (2) n'entrez pas dans la fosse tant que ces précautions n'ont pas été strictement respectées.

N'installez pas la pompe dans un endroit considéré comme dangereux par la norme ANSI/NFPA 70-2001 du Code national de l'électricité.

6. Connaître les applications de la pompe, les limites et les dangers potentiels.
7. Toujours porter des lunettes de sécurité lorsque l'on intervient sur une pompe.
8. Toujours garder la zone de travail propre, débarrassée de tout débris et bien éclairée - enlever tous les outils et tout le matériel dont on ne se sert pas.
9. Ne pas laisser les visiteurs s'approcher de la zone de travail.
10. Empêcher les enfants d'accéder à l'atelier en posant des cadenas, un disjoncteur général et en enlevant les clés des démarreurs.
11. Dissiper toute la pression du système avant d'intervenir sur un élément.
12. Si la conduite de refoulement de la pompe peut être fermée avec un robinet ou si elle risque d'être obstruée, prévoir un moyen de dissiper la pression.
13. Périodiquement, inspecter le puisard et tous les éléments de la pompe et du système. Enlever tous les débris et tous les corps étrangers du puisard. Procéder à un entretien périodique au besoin.
14. Vider toute l'eau du système avant d'intervenir sur le système.

#### Avertissement lié à la Proposition 65 de la Californie


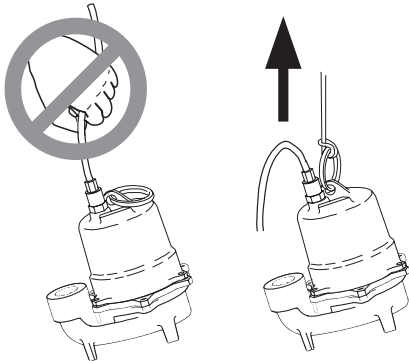
**⚠ AVERTISSEMENT** Ce produit et les accessoires connexes contiennent des produits chimiques reconnus dans l'État de la Californie comme pouvant provoquer des cancers, des anomalies congénitales ou d'autres dangers relatifs à la reproduction.

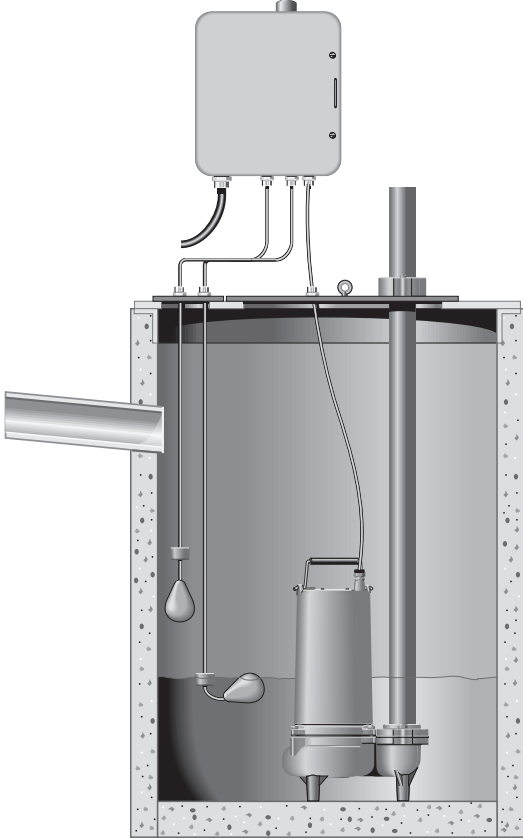
## Installation

Nous vous remercions d'avoir acheté cette pompe Hydromatic<sup>MC</sup>. Pour vous assurer des années de fonctionnement optimal, veuillez lire ce manuel attentivement.

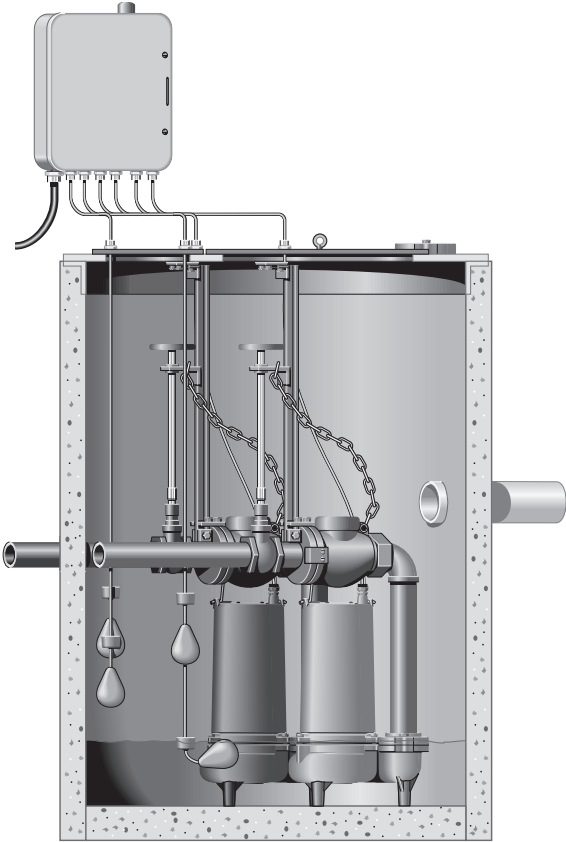
Avant l'installation, vérifiez les codes d'électricité et de plomberie locaux. Les installations typiques des pompes d'eaux d'égout sont illustrées à la page suivante.

### Avertissement concernant le levage par le cordon

<p><b>⚠ AVERTISSEMENT</b></p>  <p><b>Risque de choc électrique. Peut provoquer des brûlures, voire la mort. Ne soulevez pas la pompe par son cordon d'alimentation.</b></p>		<p><b>Risque de choc électrique et d'incendie.</b></p> <ol style="list-style-type: none"> <li>1. Essayer de lever ou tenir la pompe par son cordon d'alimentation peut endommager le cordon et les raccordements de celui-ci, mettre les fils à nu et provoquer un incendie ou un choc électrique.</li> <li>2. Utilisez la poignée située sur le dessus de la pompe pour tout levage ou abaissement de la pompe. Coupez l'alimentation électrique de la pompe avant de travailler dessus ou d'essayer de la retirer de la fosse.</li> <li>3. Lever ou tenir la pompe par son cordon d'alimentation annule la garantie.</li> </ol>
--	---	---



*Installation typique à une pomp*



*Installation typique à deux pompes*

**Suivez ces instructions d'installation :**

1. Fournissez une fosse aux dimensions adéquates (reportez-vous aux *Spécifications*) pour le réservoir d'eaux d'égout. Le temps de fonctionnement minimal de la pompe est de deux minutes. Pour une durée de vie optimale de la pompe, une durée de trois minutes est recommandée.
2. Avant d'installer la pompe, assurez-vous que la fosse est exempte de ficelles, tissus, ongles, gravier, etc.
3. N'installez pas la pompe directement sur le fond du puisard, si celui-ci n'est pas solide. Surélevez la pompe en utilisant des briques ou des blocs de béton.
4. Ne retirez pas la broche de mise à la terre de la fiche électrique.
5. N'utilisez pas de rallonge pour faire fonctionner cette pompe.
6. Pour garantir un fonctionnement automatique adéquat, assurez-vous que la pompe est branchée dans la fiche multiprise du cordon de l'interrupteur. Les modèles triphasés doivent être correctement raccordés à un tableau de commande approprié.  
Ne coupez, pincez ou tordez pas le cordon d'alimentation de l'interrupteur monophasé. Le tuyau de ventilation doit « respirer » pour que l'interrupteur fonctionne bien. Cela pourrait provoquer une défaillance de la pompe et annuler la garantie.
7. Utilisez des conduites d'acier ou de plastique pour toutes les canalisations de raccordement entre la pompe et le point de rejet des eaux d'égout.  
**AVIS** : Les réglementations de certaines villes ne permettent pas l'installation d'une pompe avec une conduite de plastique. Vérifiez les réglementations locales.
8. Utilisez ruban d'étanchéité en PTFE pour filetage sur les raccords des conduites. N'utilisez pas de la pâte à joint ordinaire sur les conduites de plastique ou la pompe. La pâte à joint peut attaquer le plastique et endommager la pompe.
9. Si la pompe doit rester inactive pendant plusieurs mois, il est recommandé de la faire tourner tous les mois pour vous assurer que le système de pompage fonctionnera correctement lorsque vous en aurez besoin.
10. Un clapet de non-retour doit être installé à l'horizontale dans la conduite de refoulement.
11. Le système optionnel Hydromatic Q Alert est un système d'alarme sonore qui vous avertit en cas de niveau élevé de l'eau. Il est recommandé de l'installer dans toute fosse pour une protection accrue.

**AVIS** : Le système Q Alert est destiné à un usage à l'intérieur uniquement. D'autres alarmes et tableaux de commande Q sont disponibles pour un usage à l'extérieur. Communiquez avec votre distributeur Hydromatic concernant les applications.

12. Utilisez la pompe partiellement ou complètement immergée pour le pompage de liquides comme l'eau. La pompe prend en charge les corps solides (sphériques) jusqu'à 5 cm de diamètre. Cette pompe n'a pas été vérifiée pour une utilisation en piscine.

**⚠ ATTENTION Risque d'incendie.** Ne pompez pas de liquides inflammables. Ne pompez pas de produits chimiques agressifs ou d'eau salée sans avoir consulté votre distributeur Hydromatic concernant les joints et revêtements adaptés.

**Utilisation**

**AVIS** : Ne laissez pas la pompe fonctionner dans une fosse à sec. Cela annulerait la garantie et pourrait endommager la pompe.

Une protection automatique contre les surcharges à l'intérieur du moteur empêche celui-ci de griller à cause d'une surchauffe/surcharge. Lorsque le moteur refroidit, la protection contre les surcharges se réinitialise automatiquement.

Si la protection contre les surcharges se déclenche fréquemment, cherchez-en la cause. Cela peut être dû à un impulseur bloqué, une tension inadéquate/basse ou une défaillance électrique du moteur. Si vous suspectez une défaillance électrique du moteur, demandez à un réparateur qualifié de corriger le problème.

**Entretien**

Lisez attentivement les instructions suivantes avant de procéder au remplacement d'une pièce. Faites preuve de soin et utilisez des méthodes sécuritaires. Vérifiez les codes et exigences au niveau local avant de procéder à l'installation. Seul un plombier/électricien qualifié doit effectuer l'installation.

Plongez complètement la pompe dans une solution désinfectante (à base d'agent de blanchiment dilué) pendant au moins une heure avant de la démonter.

Vérifiez que l'impulseur n'est pas obstrué en regardant dans l'orifice d'aspiration de la pompe. L'arbre doit tourner librement en l'absence d'obstruction. Gardez les doigts, les tissus et tout autre matériau éloignés de l'orifice d'aspiration.

**Les étapes décrites dans cette section doivent être réalisées par un centre de service autorisé uniquement.**

**AVIS** : Lisez toutes les instructions avant de remplacer toute pièce. Déconnectez toujours la pompe de la source d'alimentation avant un entretien/une réparation.

Les nombres entre parenthèses, tels que (3) ou (16), se rapportent aux numéros d'article utilisés dans le schéma Pièces de rechange.

## Utilisation d'un ohmmètre

Pour vous assurer que les fils ne sont pas brûlés ou cassés, utilisez un ohmmètre pour procéder à des tests de résistance. Réglez l'échelle de l'ohmmètre sur R X 1 et vérifiez-le en joignant ses deux fils et en ajustant le bouton de l'aiguille jusqu'à ce que zéro soit indiqué. Si l'ohmmètre ne peut pas être remis à zéro, ses piles doivent être changées.

**AVIS :** Lorsque vous changez d'échelle, remettez toujours l'appareil de mesure à zéro [0] avant d'effectuer une mesure.

Si le fil est bon, l'aiguille de l'ohmmètre s'approche de zéro et ne bouge plus. Si l'aiguille de l'ohmmètre ne bouge pas du tout, le fil est coupé et doit être réparé ou remplacé.

## Tests de résistance

1. Pour les pompes monophasées (1  $\emptyset$ ), raccordez un des fils de l'ohmmètre au fil blanc du cordon d'alimentation et l'autre au fil noir. La mesure doit correspondre à la résistance indiquée dans le *Tableau des résistances de bobinage, 1  $\emptyset$ , 230 V*.

Modèle	Bobinage de démarrage	Bobinage de fonctionnement	Total
MSK75	6.63 $\Omega$	3.06 $\Omega$	9.69 $\Omega$
MSK100	8.57 $\Omega$	2.35 $\Omega$	10.92 $\Omega$

### Tableau des résistances de bobinage, 1 $\emptyset$ , 230 V

Pour les pompes triphasées (3  $\emptyset$ ), répétez la procédure ci-dessus pour les fils blanc et rouge, ainsi que pour les fils rouge et noir. Chacune des trois mesures doit être approximativement la même et correspondre à la résistance indiquée dans le *Tableau des résistances de bobinage, 3  $\emptyset$* . Si une des phases ne présente aucune résistance, cela indique qu'un fil est cassé, qu'il y a un mauvais raccordement ou que le bobinage est défectueux. Ignorez les étapes 5 à 8 si la résistance est bonne.

	200V	230V	460V	575V
Modèle	Une des phases	Une des phases	Une des phases	Une des phases
MSK75, MSK100	7.31 $\Omega$	9.66 $\Omega$	38.65 $\Omega$	60.39 $\Omega$

### Tableau des résistances de bobinage, 3 $\emptyset$

2. Retirez le bouchon (3) du haut du boîtier (4) et versez l'huile dans un contenant en verre propre. Si l'huile est transparente, cela indique que le moteur n'a pas grillé et qu'il n'y a pas de fuite d'eau dans le moteur. Si l'huile est noire, cela signifie que le stator a grillé. Si l'huile est trouble, cela indique qu'il y a de l'eau dedans. Tous les joints doivent donc être remplacés.

3. Une fois l'huile purgée, retirez les vis d'assemblage à tête hexagonale (7) qui fixent le carter du moteur (4) à la volute (11). Faites coulisser le carter du moteur de 5 à 6 po (12,7 à 15,2 cm) vers le haut pour exposer les raccordements du cordon d'alimentation au moteur (5). Détachez les raccordements du cordon d'alimentation du moteur, puis séparez le cordon d'alimentation du carter du moteur. En utilisant les fils de sortie du moteur, vérifiez la résistance du bobinage avec un ohmmètre.

#### Pour les pompes monophasées (1 $\emptyset$ )

4. Raccordez un des fils de l'ohmmètre au fil blanc du cordon d'alimentation et l'autre au fil noir. Reportez-vous au *Tableau des résistances de bobinage, 1  $\emptyset$ , 230 V* pour consulter la mesure de résistance appropriée. Répétez cette procédure pour le fil noir du cordon et le fil de sortie rouge. Cette mesure correspond à la résistance du bobinage de démarrage. Répétez également cette procédure pour le fil blanc et le fil rouge du cordon. Cette mesure indique la résistance totale du bobinage du moteur. Si ni le bobinage de départ ni le bobinage principal ne présentent de résistance, soit un raccordement est mauvais, soit le bobinage est défectueux.

#### Pour les pompes triphasées (3 $\emptyset$ )

5. Torsadez les trois fils d'une extrémité du cordon d'alimentation ensemble. Puis, à l'autre extrémité, vérifiez deux de ces fils à l'aide d'un ohmmètre. Vérifiez le troisième fil avec l'un des deux premiers. Si un des fils présente une mesure de 0, cela signifie qu'il est cassé et qu'un nouveau cordon d'alimentation doit être installé.
6. La mise à la terre du stator doit être vérifiée à l'aide d'un ohmmètre dont l'échelle a été réglée sur R X 100K. Raccordez un des fils de l'ohmmètre à un des fils du stator et à l'aide de l'autre fil de l'ohmmètre, touchez le carter du moteur (4). Si la résistance à la terre est inférieure à 500 000 ohms, il y a de l'humidité dans le bobinage ou une fuite dans l'isolation du stator. Le stator doit être séché et revérifié à l'aide de l'ohmmètre. Si la résistance reste inférieure à 500 000 ohms après le séchage, le stator doit être remplacé. Une mesure de 0 indique un court-circuit direct. Le stator doit être changé.

- Si le câblage est bien mis à la terre et qu'il n'y a aucune humidité apparente dans l'huile (consultez l'étape 2), le stator doit être vérifié à l'aide d'un testeur de rigidité diélectrique.

**⚠ AVERTISSEMENT** **Risque de choc électrique.** En raison de la tension élevée, soyez extrêmement prudent lorsque vous utilisez un testeur de rigidité diélectrique. Un choc électrique dangereux peut être évité si vous manipulez les sondes de test avec précaution.

En utilisant une tension de 1 500 V pour les moteurs de 115 V et de 2 000 V pour ceux de 230 V, touchez le fil blanc avec une des sondes et le paquet de tôle du stator avec l'autre pendant une seconde seulement. Un bourdonnement indique qu'un arc électrique se forme à un endroit où l'isolation est endommagée ou qu'une petite quantité d'humidité est présente. Le stator doit alors être séché ou remplacé.

Le test de rigidité diélectrique est très destructeur. Par conséquent, à chaque fois qu'un même stator est vérifié, la tension doit être réduite d'environ 250 V. Dans le cas contraire, vous pourriez causer un court-circuit du stator en brisant son isolation.

- Répétez l'étape 4 en attachant les fils de l'ohmmètre aux fils du stator. Une mesure de 0 indique que le bobinage est défectueux et que le stator doit être remplacé.
- Retirez la vis et la rondelle de l'impulseur (10), puis dévissez celui-ci. Maintenez l'ensemble rotor/arbre à l'aide d'un tournevis et tapotez précautionneusement l'impulseur à l'aide d'une massette à embouts plastiques ou d'un maillet en caoutchouc.
- Retirez la vis à métaux à tête plate de la plaque d'étanchéité (9). Retirez la bague de serrage (8) et le carter du moteur (4) de la plaque d'étanchéité (9).
- Retirez les quatre boulons à tête hexagonale du stator et soulevez celui-ci pour le retirer de la plaque d'étanchéité (9). Un tournevis peut être inséré sous l'enveloppe du stator pour retirer ce dernier.
- Tapotez l'extrémité de l'arbre avec une massette à embouts plastiques. Cela poussera la moitié rotative du joint mécanique (14) hors de l'arbre et le roulement inférieur hors de la plaque d'étanchéité (9). Retirez à présent l'ensemble d'arbre, de rotor et de roulement de la plaque d'étanchéité (9).
- Si vous trouvez de l'eau dans l'huile, les moitiés rotative et fixe du joint mécanique (14) doivent toutes deux être changées. Retirez la moitié fixe du joint en insérant un tournevis dans la plaque d'étanchéité (9) par le dessus et en le tapant légèrement à l'aide d'un marteau.
- Tournez le roulement à la main : s'il semble dur à tourner ou rouillé, remplacez-le. Utilisez un extracteur de roulement pour retirer le roulement.

## Remontage

- Nettoyez bien le joint (14) et les logements du roulement dans la volute. Tout le sable et toute la saleté doivent être éliminés.
- Si la moitié fixe du joint a été retirée, recouvrez la moitié fixe de rechange de lubrifiant pour joint torique et utilisez un poussoir en plastique pour l'insérer dans le carter du moteur (4). Assurez-vous que l'anneau en caoutchouc entre en premier. N'utilisez aucun objet tranchant qui pourrait endommager le joint.
- Lorsque vous installez un roulement de rechange, appuyez uniquement sur sa face intérieure et vérifiez qu'il est de niveau avec la bague élastique. Si vous ne disposez pas d'un poussoir, vous pouvez taper sur le roulement pour l'installer sur l'arbre à l'aide d'un manchon qui ne reposera que sur la face intérieure du roulement.  
**AVIS** : Ne tapez jamais sur la face extérieure du roulement, car cela l'endommagerait.
- Poussez l'ensemble d'arbre, de rotor et de roulement à billes dans la plaque d'étanchéité (9) en veillant à ne pas ébrécher la céramique de la moitié fixe du joint.
- Remplacez le moteur (5) s'il a visiblement grillé, ou si le test de résistance à la terre ou le test du bobinage ont échoué. Notez que le stator de rechange doit être de la même marque que le rotor existant, et vice-versa. Remettez les quatre boulons du stator en place.
- Recouvrez l'anneau en caoutchouc de la moitié rotative du joint de lubrifiant pour joint torique et poussez-le sur l'arbre avec l'anneau en caoutchouc côté impulseur (10).  
**AVIS** : Le fait de mélanger anciennes et nouvelles pièces de joint engendrera une défaillance immédiate du joint. Lorsque vous remplacez le joint (14), changez les deux moitiés, rotative et fixe.

7. Installez la bague de serrage (8) sur la plaque d'étanchéité (9) et fixez-la avec des vis à métaux.
8. Placez l'impulseur (10) sur l'arbre de la pompe. Pour les modèles triphasés, montez la rondelle et la vis de l'impulseur sur l'arbre de la pompe.
9. Tournez l'impulseur (10). Il doit tourner librement sans frottement.
10. Placez l'ensemble de moteur/plaque d'étanchéité dans le carter de la volute (11).
11. Installez le nouveau joint torique (6) sur l'épaulement de la plaque d'étanchéité.
12. Nettoyez l'ensemble du carter du moteur et branchez le cordon d'alimentation dans l'entrée de cordon du carter du moteur.
13. Raccordez les fils du cordon d'alimentation aux connexions du moteur, puis faites coulisser l'ensemble du carter du moteur sur le moteur.
14. Fixez le carter du moteur au carter de la volute à l'aide de trois vis à tête hexagonale (7).
15. Passez la main dans le trou de la volute (11) et tournez à nouveau l'impulseur (10). Il doit tourner librement sans frottement.
16. Avant de remplir le carter du moteur avec de l'huile, effectuez un test d'étanchéité des joints. Appliquez une pression d'air de 3 à 3,5 kg au niveau du robinet à filetage NPT de 1/4 po (3) situé sur le dessus du couvercle du moteur et fermez le boîtier.

**AVIS** : Une pression trop élevée endommagera le joint. Le joint devrait alors être remplacé.

Plongez ensuite la pompe dans l'eau et vérifiez l'absence de fuites. Si une fuite se produit, repérez son origine et résolvez le problème en remplaçant la partie défectueuse.

17. Les pompes Hydromatic disposent d'un petit orifice d'évacuation de l'air dans la cavité de l'impulseur pour laisser s'échapper l'air emprisonné. Si ce trou est obstrué, la pompe peut être bloquée par une poche d'air. Pour libérer cette poche d'air, utilisez un petit tournevis pour dégager l'orifice dans la cavité de l'impulseur.

En tant que mesure de précaution secondaire pour les installations de ce type, un trou de 1/8 po devrait être percé dans la conduite de refoulement, juste au-dessus de la volute. Le clapet de non-retour doit se situer à au moins 12 po (30,5 cm) au-dessus du refoulement de la pompe. N'installez pas directement le clapet de non-retour dans l'orifice de refoulement de la pompe.

**AVIS** : Dans les fosses où la pompe fonctionne tous les jours, le blocage par poche d'air se produit rarement.

### Remplissage avec de l'huile

1. Une fois le test d'étanchéité des joints effectué avec succès, sortez la pompe de l'eau, et essuyez ou soufflez tout excès d'eau.
2. Ne mettez pas d'huile dans le moteur si de l'eau est présente dans la cavité du moteur.
3. Utilisez de l'huile de transformateur paraffinique raffinée <sup>1</sup>Shellflex<sup>MC</sup> 2210 ou équivalente.  
<sup>1</sup> Shell Oil Company, Texas
4. Versez doucement l'huile jusqu'à 1/8 po (0,3 cm) au-dessus des bobinages à l'intérieur du carter du moteur en passant par l'orifice (3). Utilisez un tube de remplissage pour huile qui sera inséré dans les orifices pour que l'air puisse s'échapper. Remettez le bouchon en place (3).  
**AVIS** : Ne remplissez pas complètement le carter du moteur. Laissez de l'espace pour l'air en cas d'expansion.
5. Raccordez les fils du cordon d'alimentation aux bornes du tableau ou connectez la source d'alimentation, et vérifiez que la pompe fonctionne. Le moteur doit tourner librement et ne pas vibrer. La pompe est prête à être utilisée.

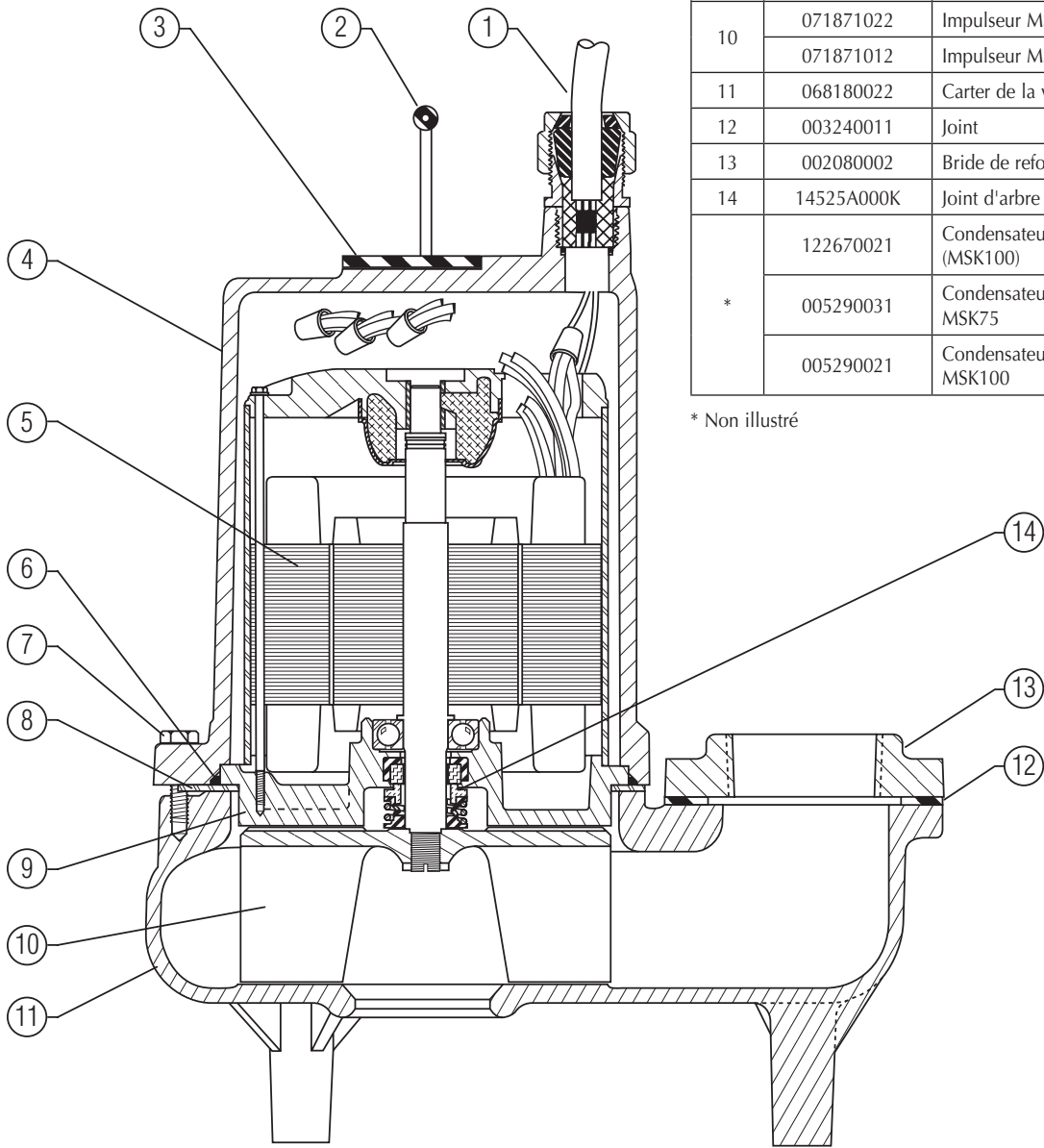
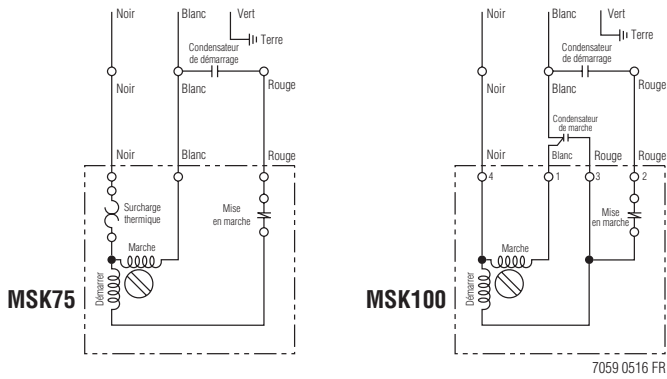


**⚠ AVERTISSEMENT Tension dangereuse.** Peut provoquer des chocs électriques, des brûlures, voire la mort. Coupez l'alimentation avant de tenter d'entretenir ou de réparer la pompe.

**⚠ AVERTISSEMENT Impulseurs dangereux et démarrages inopinés pouvant provoquer la perte de doigts.** Gardez les mains éloignées de l'orifice d'aspiration de la pompe lorsque vous travaillez sur celle-ci ou lorsque vous la réparez.

Symptôme	Cause(s) possible(s)	Mesure corrective
Le moteur ne fonctionne pas.	Le dispositif de protection du moteur s'est déclenché.	Laissez le moteur refroidir. Vérifiez que la pompe est complètement immergée. Enlevez les débris de la volute et de l'impulseur. Vérifiez si le débit en ampères est élevé.
	Disjoncteur déclenché ou fusible grillé.	Remplacez le fusible ou réenclenchez le disjoncteur. Si le disjoncteur se déclenche à répétition, ne le réenclenchez pas. Téléphonez à un électricien agréé.
	Impulseur obstrué ou grippé.	Vérifiez le débit en ampères. S'il est plus de deux fois supérieur à l'intensité figurant sur la plaque signalétique, l'impulseur est bloqué. Les roulements et l'arbre peuvent être endommagés. Coupez l'alimentation électrique, enlevez les débris de la volute, de l'impulseur et du dilacérateur si besoin est.
	Câble d'alimentation endommagé.	La résistance entre le câble d'alimentation et la terre doit être infinie. Si la mesure est inférieure à l'infini, téléphonez à un électricien agréé.
	Problème au niveau du tableau de commande.	Inspectez le câblage du tableau de commande. Téléphonez à un électricien agréé.
	Contacteur de niveau de liquide défectueux.	Une fois le contacteur de niveau de liquide déconnecté de l'alimentation, vérifiez-la continuité de celui-ci tout en l'activant. Au besoin, remplacez le contacteur.
	Pas assez de liquide dans le puits d'aspiration pour activer les commandes.	Laissez le liquide monter de plusieurs pouces (centimètres) au-dessus du niveau de déclenchement.
	Cordons de niveau de liquide emmêlés.	Démêlez les cordons pour que le système fonctionne librement.
	Commandes automatiques défectueuses.	Essayez de faire fonctionner la pompe dans le mode manuel. Si elle fonctionne, la commande automatique est défectueuse.
La pompe fonctionne en continu.	Cordons des commandes de niveau de liquide emmêlés.	Démêlez les cordons pour que le système fonctionne librement.
	La pompe est bloquée par de l'air.	Arrêtez la pompe pendant une minute environ, puis redémarrez-la. Répétez l'arrêt et le démarrage jusqu'à ce que le blocage par l'air soit éliminé. Si le blocage persiste, <b>COUPEZ L'ALIMENTATION ÉLECTRIQUE</b> , tirez sur la pompe et percez un trou de 1/8 po (0,3 cm) dans la conduite de refoulement entre le refoulement de la pompe et le clapet antiretour.
	Le débit d'entrée est égal ou supérieur à la capacité de la pompe.	Une pompe plus grande ou des pompes supplémentaires peuvent être nécessaires.
Peu ou pas d'effluent sortant de la pompe.	Vérifiez si le clapet est obstrué, bloqué en position fermée ou installé à l'envers.	Assurez-vous que le clapet antiretour est correctement installé (la flèche de débit doit pointer vers la direction opposée à celle de la pompe) et qu'il fonctionne de manière appropriée.
	Hauteur de refoulement du système excessive.	Consultez le détaillant.
	Obstruction de l'aspiration de la pompe.	<b>COUPEZ L'ALIMENTATION ÉLECTRIQUE</b> , tirez sur la pompe, inspectez-la et éliminez l'obstruction au besoin.
	Mauvaise tension ou câblage incorrect.	Vérifiez la rotation de la pompe; comparez la tension d'alimentation et la tension figurant sur la plaque signalétique (elles doivent correspondre); consultez un électricien agréé.
	La pompe est bloquée par de l'air.	Arrêtez la pompe pendant une minute environ, puis redémarrez-la. Répétez l'arrêt et le démarrage jusqu'à ce que le blocage par l'air soit éliminé. Si le blocage persiste, <b>COUPEZ L'ALIMENTATION ÉLECTRIQUE</b> , tirez sur la pompe et percez un trou de 1/8 po (0,3 cm) dans la conduite de refoulement entre le refoulement de la pompe et le clapet antiretour.
	Impulseur usé ou endommagé.	<b>COUPEZ L'ALIMENTATION ÉLECTRIQUE</b> , tirez sur la pompe et inspectez l'impulseur. Remplacez-le au besoin.
La pompe fonctionne par intermittence.	Commandes de niveau de liquide mal installées ou défectueuses.	Repositionnez-les ou remplacez-les au besoin.
	Aucun clapet antiretour installé dans le refoulement.	Installez le clapet antiretour de refoulement.
	Clapet antiretour de refoulement bloqué en position ouverte.	Réparez ou remplacez le clapet antiretour au besoin.
	Puits d'aspiration des eaux d'égout trop petit.	Consultez le détaillant.
	Pompe trop petite pour le débit d'entrée.	Informez-vous auprès du détaillant pour obtenir une plus grande pompe ou une pompe supplémentaire.

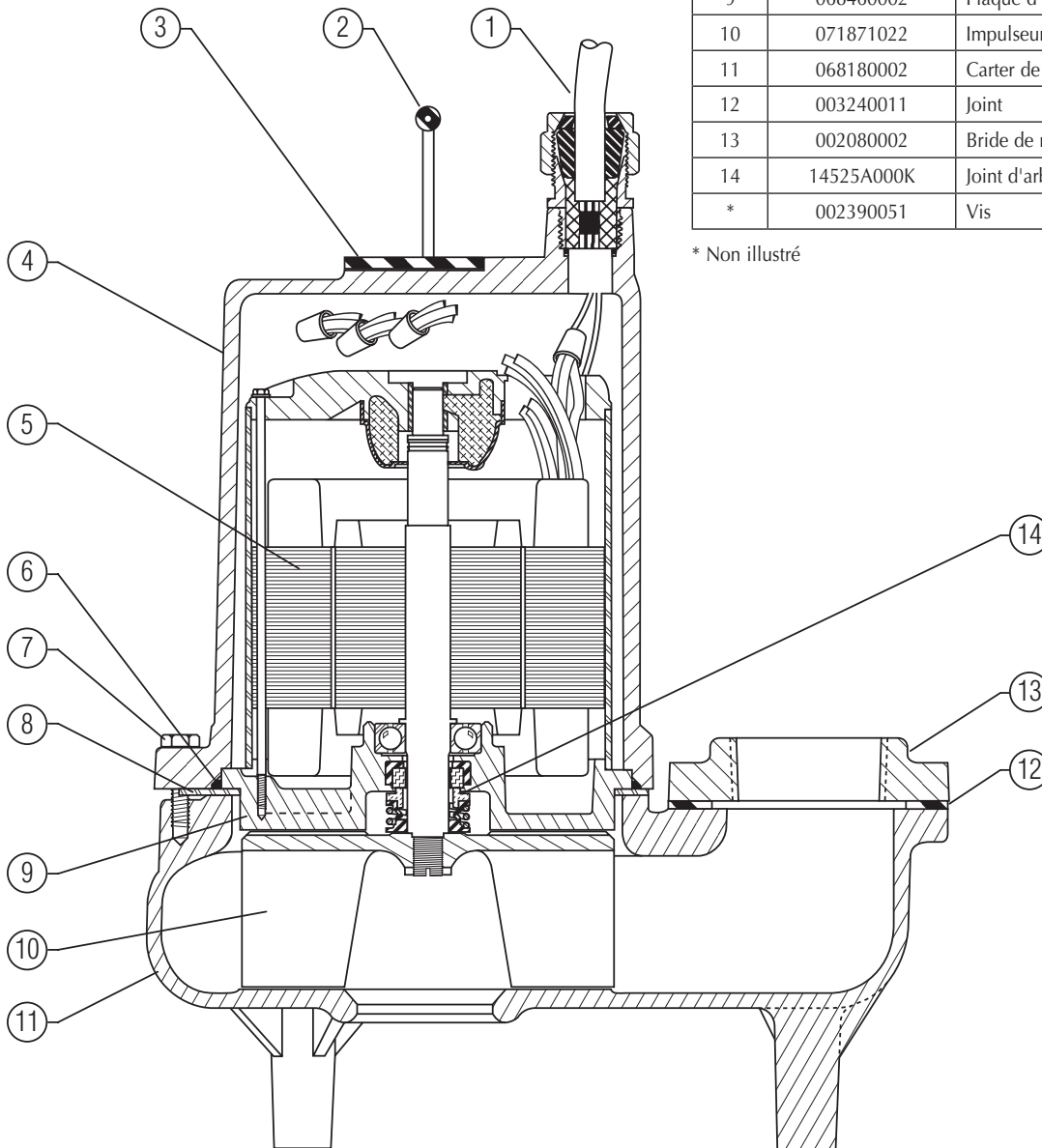
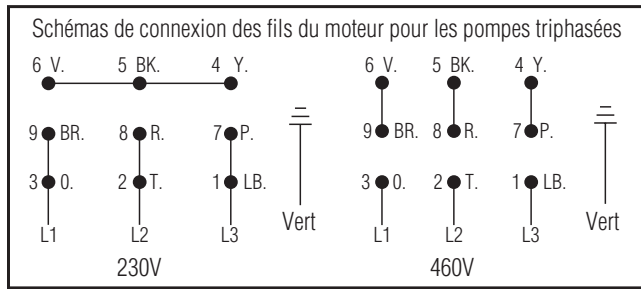
## Modèle monophasé



Ref.	Numéro de pièce	Description	Qté.
1	132160225	Cordon d'alimentation de 20 pi (6,1 m)	1
	132160205	Cordon d'alimentation de 20 pi (6,1 m), sans fiche	
2	000600005	Poignée	1
3	149810011	Bouchon fileté	1
4	000565001	Carter du moteur	1
5	133591001	Moteur 230V (MSK100)	1
	133581001	Moteur 200V (MSK75)	
	133601001	Moteur 200V (MSK100)	
	133571001	Moteur 230V (MSK75)	
6	000770031	Joint torique	1
7	001010101	Vis	3
8	056770003	Bague de serrage	1
9	068460002	Plaque d'étanchéité	1
10	071871022	Impulseur MSK75	1
	071871012	Impulseur MSK100	
11	068180022	Carter de la volute	1
12	003240011	Joint	1
13	002080002	Bride de refoulement 2 po	1
14	14525A000K	Joint d'arbre	1
*	122670021	Condensateur de marche (MSK100)	1
	005290031	Condensateur de démarrage MSK75	1
	005290021	Condensateur de démarrage MSK100	1

\* Non illustré

## Modèle triphasé



Ref.	Numéro de pièce	Description	Qté.
1	116440895	Cordon d'alimentation de 20 pi (6,1 m)	1
2	000600005	Poignée	1
3	149810011	Bouchon fileté	1
4	000565001	Carter du moteur	1
5	108393001	Moteur 200V (MSK75)	1
	108373001	Moteur 200V (MSK100)	
	108391001	Moteur 230-460V (MSK75)	
	108371001	Moteur 230-460V (MSK100)	
	108407001	Moteur 575V (MSK75)	
	108387011	Moteur 575V (MSK100)	
6	000770031	Joint torique	1
7	001010101	Vis	3
8	056770003	Bague de serrage	1
9	068460002	Plaque d'étanchéité	1
10	071871022	Impulseur	1
11	068180002	Carter de la volute	1
12	003240011	Joint	1
13	002080002	Bride de refoulement 2 po	1
14	14525A000K	Joint d'arbre	2
*	002390051	Vis	2

\* Non illustré

**Garantie limitée :**

**Myers® garantit à l'acheteur initial (« l'acheteur » ou « vous ») des produits figurant ci-dessous qu'ils seront exempts de tout défaut de matériel et de fabrication pour la période de garantie indiquée ci-dessous.**

<b>Produit</b>	<b>Période de garantie selon la première éventualité :</b>
Pompes à éjecteur, petites pompes centrifuges, pompes submersibles et accessoires connexes	12 mois à partir de la date de première installation ou 18 mois à partir de la date de fabrication
Réservoirs en fibre enroulée	5 ans à partir de la date de première installation
Réservoirs sous pression en acier	5 ans à partir de la date de première installation
Produits pour puisard/eaux usées/effluents	12 mois à partir de la date de première installation ou 36 mois à partir de la date de fabrication
Unités de batterie de secours MBSP-2, MBSP-2C	12 mois à partir de la date de première installation ou 18 mois à partir de la date de fabrication
MBSP-3, MBSP-3C	24 mois à partir de la date de première installation ou 30 mois à partir de la date de fabrication
Pompes de traitement des matières solides des eaux usées	12 mois à partir de la date de première installation ou 18 mois à partir de la date de fabrication

Notre garantie s'applique uniquement quand ces produits sont utilisés conformément aux exigences du catalogue et/ou des manuels des produits concernés. Pour plus d'information, consultez la garantie limitée standard applicable dans le manuel du produit.

Notre garantie ne s'applique pas aux produits qui, à notre seul avis, ont fait l'objet de négligence, d'une mauvaise utilisation, d'une mauvaise installation ou d'un manque d'entretien adéquat. Sans aucune limitation des présentes, l'utilisation d'un moteur triphasé sur un courant monophasé par l'intermédiaire d'un déphaseur annulera la garantie. Il faut également noter que les moteurs triphasés doivent être protégés par un relais de surcharge tripolaire thermocompensé à déclenchement extrêmement rapide du calibre recommandé, sinon la garantie sera annulée.

Votre seul recours et la seule responsabilité de MYERS sont que MYERS répare ou remplace les produits défectueux (au choix de MYERS). Vous vous engagez à payer tous les frais de main-d'œuvre et d'expédition du produit couvert par cette garantie et de vous adresser au concessionnaire-installateur dès qu'un problème est découvert pour obtenir un service sous garantie. Aucune demande de service ne sera acceptée après l'expiration de la période de garantie. Cette garantie n'est pas transférable.

MYERS NE SERA TENUE RESPONSABLE D'AUCUN DOMMAGE INDIRECT, ACCIDENTEL OU FORTUIT, QUEL QU'IL SOIT.

LES GARANTIES LIMITÉES SUSMENTIONNÉES SONT EXCLUSIVES ET REMPLACENT TOUTES LES AUTRES GARANTIES EXPRESSES ET TACITES, Y COMPRIS, MAIS SANS S'Y LIMITER, LES GARANTIES TACITES DE QUALITÉ MARCHANDE ET D'ADAPTATION À UN USAGE PARTICULIER. LES GARANTIES LIMITÉES SUSMENTIONNÉES NE DOIVENT PAS ÊTRE PROLONGÉES AU-DELÀ DE LA DURÉE PRÉVUE AUX PRÉSENTES.

Certaines provinces n'autorisent pas d'exclure ou de limiter les dommages fortuits ou indirects ou de limiter la durée d'une garantie implicite; il se peut donc que les limitations ou exclusions ci-dessus ne s'appliquent pas à votre cas. La présente garantie vous donne des droits juridiques spécifiques et vous pouvez en avoir d'autres qui varient d'une province à l'autre.

Cette garantie limitée entre en vigueur le 1er avril 2014 et remplace toutes les garanties non datées et les garanties datées avant le 1er avril 2014.

**MYERS**

293 Wright Street, Delavan, WI 53115

Téléphone : 888-987-8677 • Télécopieur : 800-426-9446 • [www.femyers.com](http://www.femyers.com)

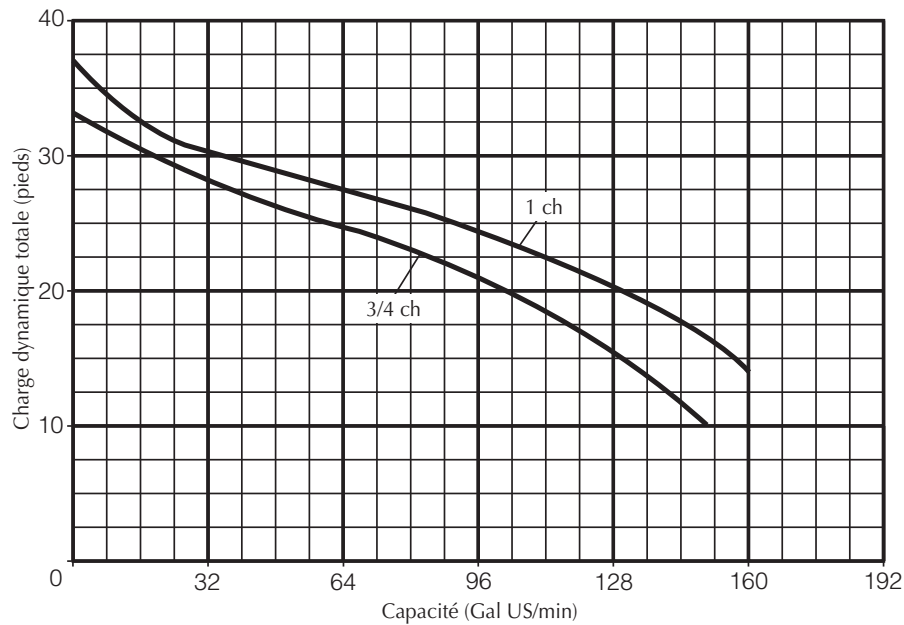
Au Canada: 490 chemin Pinebush, unité 4, Cambridge, Ontario N1T 0A5

Téléphone : 800-363-7867 Télécopieur : 888-606-5484

## Caractéristiques du produit

Modèle	MSK75	MSK100
Application typique	Eaux d'égout, effluent, assèchement, capacité élevée	
Capacité :	jusqu'à 147 GPM (556 LPM)	jusqu'à 160 GPM (606 LPM)
Hauteurs d'eau :	jusqu'à 34 ft (10.3 m)	jusqu'à 38 ft (11.6 m)
Système électrique :	208V 1ø 10.4 FLA, 60Hz; 230V, 1ø, 9 FLA, 60Hz; 230V, 3ø, 3.5 FLA, 60Hz; 460V, 3ø, 1.8 FLA, 60Hz; 575V, 3ø, 1.44 FLA, 60Hz	208V, 1ø, 11.5 FLA, 60Hz; 230V, 1ø, 10 FLA, 60Hz; 230V, 3ø, 4.4 FLA, 60Hz; 460V, 3ø, 2.2 FLA, 60Hz; 575V, 3ø, 1.7 FLA, 60Hz
Moteur :	3/4 CV (avec condensateur de démarrage monophasé), 1 750 tr/min	1 CV (avec condensateur de démarrage monophasé), 1 750 tr/min
Température de liquide intermittente :	140°F (60°C)	
Diamètre de fosse minimal recommandé :	Simplex = 24" (609.6 mm); Duplex = 36" (914.4 mm)	
Fonctionnement automatique :	Aucun interrupteur de base (fonctionnement manuel) (interrupteur à cordon à grand angle optionnel)	
Matériaux de construction :	Fonte de classe 30	
Impulseur :	Fonte de classe 30, deux palettes	
Dimension du refoulement :	NPT 2 po (5,08 cm) standard, NPT 3 po (7,62 cm) optionnel	
Gestion des matières solides :	2" (50.8 mm)	
Cordon d'alimentation :	20' STW-A	

## Courbe de performance



## Contenido

<b>Instrucciones importantes sobre la seguridad</b> . . . . .	<b>26</b>
<b>Instalación</b> . . . . .	<b>27</b>
<b>Operación</b> . . . . .	<b>29</b>
<b>Mantenimiento</b> . . . . .	<b>29</b>
Chequeos de resistencia . . . . .	30
Re-ensamblaje . . . . .	31
Llenado de aceite . . . . .	32
<b>Localización de fallas</b> . . . . .	<b>33</b>
<b>Piezas de repuesto</b> . . . . .	<b>34</b>
<b>Garantía</b> . . . . .	<b>36</b>
<b>Especificaciones del producto</b> . . . . .	<b>37</b>

## Instrucciones importantes de seguridad

**GUARDE ESTAS INSTRUCCIONES** - Este manual contiene instrucciones importantes que se deben seguir durante la instalación, operación y mantenimiento del producto. Guarde este manual para referencia futura.

**⚠** Este es el símbolo de alerta de seguridad. ¡Cuando vea este símbolo en su bomba o en este manual, busque alguna de las siguientes palabras de advertencia y esté alerta a la posibilidad de lesiones personales!

**⚠ PELIGRO** indica un peligro que, si no se evita, provocará muerte o lesiones graves.

**⚠ ADVERTENCIA** indica un peligro que, sin no se evita, puede provocar muerte o lesiones graves.

**⚠ PRECAUCIÓN** indica un peligro que, sin no se evita, puede provocar lesiones menores o moderadas.

**AVISO** indica prácticas no relacionadas con lesiones personales.

El fabricante no puede anticipar toda circunstancia posible que pueda representar un peligro. Por lo tanto, las advertencias en este manual, y las etiquetas y calcomanías fijadas en la unidad no incluyen todas las posibilidades. Si usted usa un procedimiento o una técnica de operación no recomendada específicamente por el fabricante, usted deberá verificar que ésta sea segura tanto para usted como para otros. También deberá cerciorarse de que el procedimiento o la técnica de operación que haya escogido no hagan que el sistema no sea seguro.

Las bombas cloacales eléctricas generalmente brindan muchos años de servicio sin problemas cuando se

instalan, mantienen y utilizan correctamente. Sin embargo, circunstancias inusuales (interrupción de corriente a la bomba, partículas sólidas grandes en el sumidero, inundación que sobrepasa la capacidad de la bomba, falla eléctrica o mecánica de la bomba, etc.) pueden impedir que su bomba funcione normalmente. Para evitar posibles daños, consulte con su representante sobre la posibilidad de instalar una bomba cloacal secundaria o una alarma de alto nivel de agua.

Consulte la sección de Localización de fallas en este manual para obtener información sobre los problemas más comunes de las bombas cloacales y sus soluciones. Por mayor información, consulte con su representante minorista, llame al departamento de atención al cliente de Hydromatic, al 1-888-957-8677 o visite nuestro sitio web en hydromatic.com.

**⚠ ADVERTENCIA Tensión peligrosa - peligro de choque eléctrico.** Un choque puede provocar lesiones graves o muerte. El hacer caso omiso a las advertencias que aparecen abajo puede resultar en un choque eléctrico fatal.

**⚠ ADVERTENCIA Peligro de quemadura.** Los motores pueden funcionar a altas temperaturas. No toque un motor en operación ya que puede resultar en lesiones personales.

**⚠ PRECAUCIÓN Peligro de inundación.** Si se utiliza una manguera de descarga flexible, la bomba se puede mover dentro del sumidero cuando se encienda el motor. Si se mueve lo suficientemente lejos como para que el interruptor golpee el lado del sumidero, el interruptor puede atascarse e impedir que la bomba se encienda. Cerciórese de que la bomba esté bien asegurada para que no se pueda mover dentro del sumidero.



**⚠ ADVERTENCIA** Presión y gas peligrosos - peligro de explosión y lesiones personales. El hacer caso omiso a las advertencias que aparecen abajo puede resultar en lesiones personales.

1. Si su sótano tiene agua o humedad en el piso, no camine por el área mojada hasta que haya desconectado toda la corriente eléctrica. Si la caja de control está en el sótano, llame a la empresa o autoridad de servicio eléctrico para que desactiven el servicio hacia su casa, o llame a su departamento de bomberos para recibir instrucciones. No manipule la bomba ni el motor de la bomba con manos húmedas ni cuando esté parado sobre superficies húmedas o mojadas.
2. Conecte sólo a un receptáculo debidamente puesto a tierra
3. Todo el cableado debe ser instalado por un electricista competente.
4. Proteja el cordón eléctrico de objetos filosos, superficies calientes, aceites y sustancias químicas. Observe la Advertencia sobre Alzar por el Cordón que aparece más abajo.
5. Peligro de explosión y gas peligroso. El tanque séptico debe estar ventilado conforme a las normas de plomería locales.  
No fume ni use aparatos eléctricos que producen chispas o llamas en un sumidero séptico (gaseoso) o posiblemente séptico. Si hay un sumidero séptico y es necesario entrar al mismo, entonces (1) tome las precauciones de seguridad debidas conforme a los requerimientos de OSHA y (2) no entre al sumidero hasta que no se hayan observado estas precauciones. No instale una bomba en un lugar clasificado como peligroso por N.E.C., ANSI/NFPA 70- 2001.
6. Sepa la aplicación las limitaciones y los posibles peligros de la bomba.

7. Use gafas de seguridad en todo momento cuando trabaje con la bomba.
8. Mantenga el área de trabajo limpia, despejada y debidamente iluminada - Proteja toda herramienta y máquina que no se esté usando.
9. Mantenga a los visitantes a una distancia segura del área de trabajo
10. Haga que el taller de trabajo sea a prueba de niños - con candados, interruptores maestros y retirando todas las llaves de arranque.
11. Libere toda la presión dentro del sistema antes de reparar cualquier componente
12. Proporcione un medio de descarga de la presión para las bombas cuya línea de descarga pueda cerrarse o quedar obstruida..
13. Inspeccione la bomba y los componentes del sistema periódicamente. Realice el mantenimiento de rutina según se requiera.
14. Drene todo el líquido del sistema antes de realizar reparaciones.

### Advertencia de la Proposición 65 de California


**⚠ ADVERTENCIA** Este producto y accesorios asociados contienen sustancias químicas identificadas por el Estado de California como carcinógenas y que provocan defectos congénitos u otros daños para la salud reproductora.

### Instalación

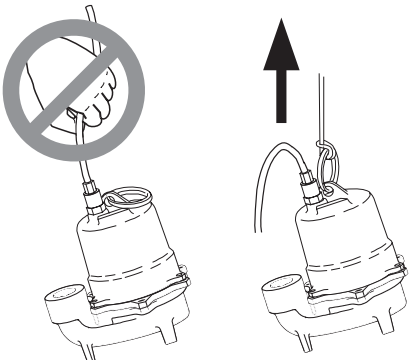
Gracias por su compra de esta bomba Hydromatic®. Es importante leer el manual atentamente para ayudarle a garantizar años de operación sin problemas, Antes de la instalación, chequee las normas eléctricas y de plomería locales. En la página siguiente se ilustran instalaciones típicas de bombas cloacales.

### Advertencia sobre izar por el cordón

**⚠ ADVERTENCIA**

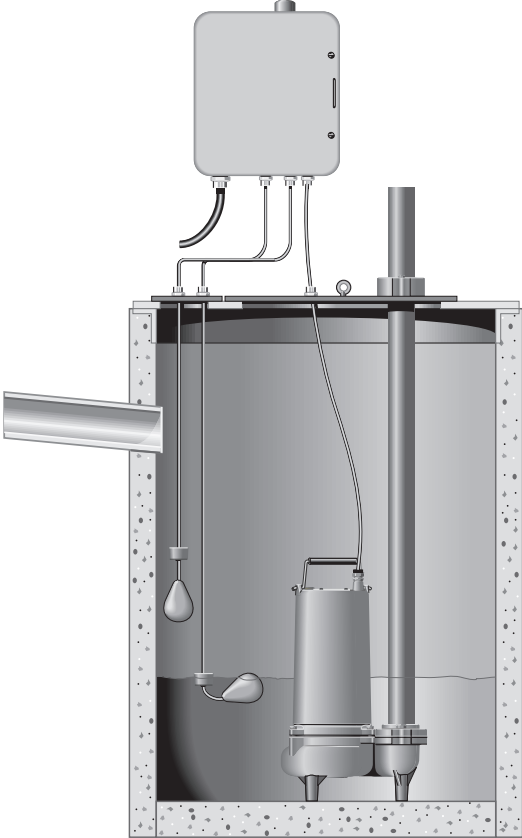


**Peligro de choque eléctrico. Puede quemar o matar. No izar la bomba por el cordón eléctrico**

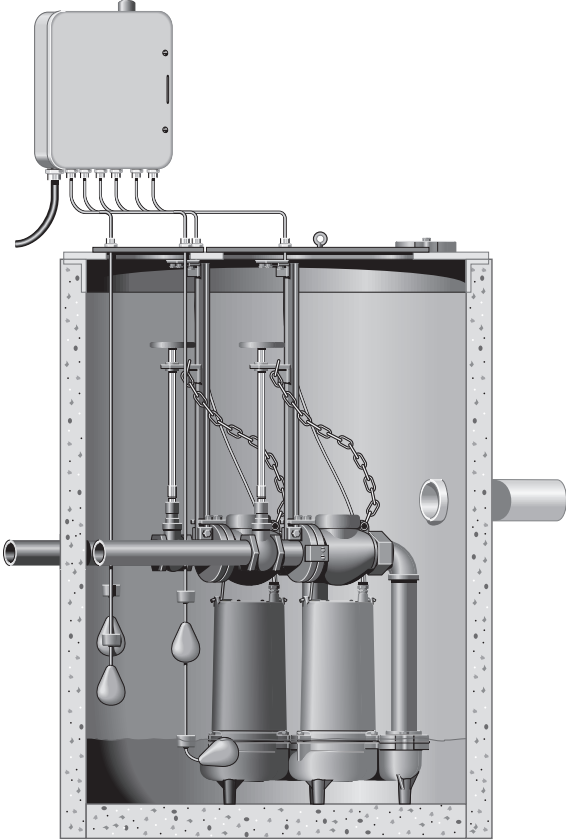


**Peligro de choque eléctrico e incendio.**

1. Si se trata de izar o sujetar la bomba por el cordón eléctrico, se puede dañar el cordón y las conexiones del cordón, dejar cables desnudos expuestos y provocar un incendio o un choque eléctrico.
2. Use el mango en la parte superior de la bomba para izar o hacer bajar la bomba. Desconecte la corriente eléctrica a la bomba antes de realizar ningún trabajo en la misma o de tratar de sacarla del foso.
3. La garantía quedará anulada si se iza o sujeta la bomba por el cordón eléctrico.



*Instalación típica Simplex*



*Instalación típica Dúplex*

## Siga estas reglas generales para la instalación:

1. Proporcione un foso del tamaño adecuado (consulte las Especificaciones) en el tanque de aguas cloacales. El tiempo de marcha mínimo de la bomba es de dos minutos. Se recomiendan tres minutos para obtener el máximo de vida útil de la bomba.
2. Cerciórese de que el sumidero no contenga hilos, paños, clavos, gravilla, etc. antes de instalar la bomba.
3. No coloque la bomba directamente en el fondo del foso del sumidero si no es firme. Eleve la bomba usando ladrillos o bloques de hormigón debajo de la misma.
4. No retire la clavija a tierra de la ficha eléctrica.
5. No use un cable de extensión para operar esta bomba.
6. Para una operación automática correcta, cerciórese de que el cordón eléctrico de la bomba esté enchufado en el receptáculo superpuesto en el cordón del interruptor. Los modelos trifásicos se deben conectar correctamente a un tablero de control adecuado.  
No corte, pinche ni doble el cordón eléctrico del interruptor monofásico. El tubo de ventilación debe "respirar" para que el interruptor funcione debidamente. Este podría provocar una falla en la bomba y anularía la garantía.
7. Use una tubería de acero o de plástico para todas las líneas de conexión entre la bomba y la salida de la cloaca.  
**AVISO:** Ciertas normas públicas no permiten la instalación de una bomba con una tubería de plástico. Verifique las normas locales.
8. Use una cinta selladora para roscas de tuberías de PTFE en las conexiones de la tubería. No use un compuesto común para juntas de tubería en tuberías de plástico o en la bomba. El compuesto para juntas de tubería puede atacar al plástico y dañar la bomba.
9. En aplicaciones en donde la bomba podría permanecer sin uso por varios meses, se recomienda hacer que la(s) bomba(s) pase por el ciclo todos los meses para garantizar que el sistema de bomba funcione debidamente cuando se necesite.
10. Se debe instalar una válvula de retención horizontalmente en la tubería de descarga.
11. La Alerta Q de Hydromatic es opcional y es un sistema de alerta para situaciones de alto nivel de agua. Se debe instalar en cada sumidero para mayor protección.

**AVISO:** Alerta Q es para uso en interiores solamente. Existen otras Alarmas Q y tableros de control para uso en exteriores. Contáctese con su distribuidor

Hydromatic para obtener información sobre otras aplicaciones.

12. Use la bomba sumergida parcial o completamente para bombear líquidos similares al agua. La bomba bombeará materiales sólidos (esféricos) con un diámetro de hasta 2" (5.08 cm). Esta bomba no ha sido investigada para su uso en áreas de piscinas de natación.

**⚠ PRECAUCIÓN Peligro de incendio.** No bombee líquidos inflamables. No se debe bombear sustancias químicas fuertes ni aguas saladas antes de consultar al distribuidor Hydromatic sobre las juntas y revestimientos adecuados.

## Operación

**AVISO:** No permita que la bomba marche en un sumidero seco, ya que eso anularía la garantía y podría dañar la bomba.

Un protector automático contra sobrecarga en el motor lo protegerá para que no se queme debido a un recalentamiento o sobrecarga. Cuando el motor se enfríe, el protector contra sobrecarga lo reposicionará automáticamente.

Si el protector contra sobrecarga se dispara frecuentemente, verifique la causa. Es posible que el impulsor esté atascado, tensión incorrecta o baja, o una falla eléctrica en el motor. Si se sospecha un falla eléctrica en el motor, haga que un técnico de reparaciones certificado lo repare.

## Mantenimiento

Lea las siguientes instrucciones atentamente antes de reemplazar cualquier pieza. Es importante tener cuidado y utilizar métodos seguros. Verifique las normas y los requerimientos locales antes de la instalación. Las instalaciones deben ser realizadas sólo por plomeros o electricistas certificados.

Sumerja la bomba en una solución desinfectante (blanqueador de cloro) por un mínimo de una hora antes de desarmar la bomba. Observe si hay obstrucción en el impulsor mirando por el orificio de aspiración de la bomba. El eje debería girar libremente si no está obstruido. Mantenga los dedos, la ropa o cualquier otro material alejados del orificio de aspiración.

**Los pasos descritos en esta sección deben ser realizados solamente por un centro de servicio autorizado.**

**AVISO:** Lea todas las instrucciones antes de reemplazar cualquier pieza. Siempre retire la bomba de la fuente de energía antes de repararla.

Los números en paréntesis, tales como "(3)" o "(16)", se refieren a los números de los artículos utilizados en el diagrama de las Piezas de repuesto.

## El uso de un ohmímetro

Para cerciorarse de que los cables no estén quemados o rotos, use un ohmímetro para hacer los chequeos de resistencia. Coloque la escala del ohmímetro en R X 1 y chequee el contador, colocando ambos conductores del contador juntos y ajustando la perilla de la aguja hasta que el contador indique cero. Si el contador no se puede ajustar a cero, será necesario cambiar las pilas en el contador.

**AVISO:** Siempre reposicione el contador a cero [0] cuando vaya a una escala nueva, antes de hacer la mediciones.

Si el cable esta OK, la aguja del contador se moverá a casi cero y permanecerá allí. Si la aguja del contador no se mueve, significa que el cable tiene una abertura y se debe reparar o reemplazar.

## Chequeos de resistencia

1. Para bombas monofásicas (1Ø), fije un conductor del contador al hilo del cordón blanco del cordón eléctrico y el otro conductor del contador al hilo del cordón negro. Esta lectura deberá coincidir con la resistencia indicada en el Cuadro de Resistencia de Bobinado, 1Ø, 230V.

Modelo	Devanado inicial	Devanado en marcha	Total
MSK75	6.63 Ω	3.06 Ω	9.69 Ω
MSK100	8.57 Ω	2.35 Ω	10.92 Ω

### Cuadro de Resistencia de Bobinado, 1Ø, 230V

Para bombas trifásicas (3Ø), repita el procedimiento que precede para los hilos blanco y rojo, al igual que para los hilos rojo y negro. Cada una de las tres lecturas separadas debe ser aproximadamente igual y debe coincidir con la resistencia indicada en el Cuadro de Resistencia de Bobinado, 3Ø. Si no se puede obtener la resistencia para una de las tres fases, eso significa que el cable está roto, que hay una mala conexión o que el bobinado es defectuoso. Si la resistencia es OK, se pueden saltar los Pasos 5 y 8.

	200V	230V	460V	575V
Modelo	Cualquier fase	Cualquier fase	Cualquier fase	Cualquier fase
MSK75, MSK100	7.31 Ω	9.66 Ω	38.65 Ω	60.39 Ω

### Cuadro de Resistencia de Bobinado, 3Ø

2. Retire la ficha (3) de la parte superior de la caja (4) y vierta aceite en un recipiente de vidrio limpio. Si el aceite es transparente, es señal de que el motor no está quemado y que no ha habido una pérdida de agua en el motor. Si el aceite es negro, es señal de que el estator se quemó. Si el aceite está turbio, es señal de que hay agua en el aceite del motor y será necesario reemplazar todas las juntas.

3. Después de drenar el aceite, retire los tornillos de cabeza hexagonal (7) que fijan la caja del motor (4) a la voluta (11). Deslice la caja del motor hacia arriba unas 5 a 6 pulgadas (12.70 cm a 15.24 cm) para dejar expuestas las conexiones de los hilos del cordón eléctrico al motor (5). Desarme las conexiones de los hilos del cordón eléctrico del motor y luego desarme el cordón eléctrico de la caja del motor. Usando los hilos conductores del motor, chequee la resistencia de bobinado con un ohmímetro.

### Para monofásicos (1Ø)

4. Fije un conductor del contador al hilo del cordón blanco y el otro conductor del contador al hilo del cordón negro. Consulte el Cuadro de Resistencia de Bobinado, 1Ø, 230V para una lectura adecuada de la resistencia. Repita este procedimiento para el hilo del cordón negro y el hilo del conductor rojo. Esta lectura es la resistencia inicial de bobinado. También repita este procedimiento para el hilo del cordón blanco y el hilo del cordón rojo. Esta lectura es la resistencia de bobinado total del motor. Si no se puede obtener una resistencia para el bobinado inicial o principal, es señal de que hay una mala conexión o que el bobinado es defectuoso.

### Para trifásicos (3Ø)

5. Doble y junte los tres conductores de un extremo del cordón eléctrico. Luego, del otro extremo, con un ohmímetro, chequee dos conductores cualesquiera. Chequee el tercer conductor con cualquiera de los dos primeros. Si hay una lectura de cero para cualquiera de los hilos, el hilo está roto y es necesario instalar un nuevo ensamblaje de cordón eléctrico.
6. La verificación de tierra en el estator se debe realizar usando un ohmímetro con la escala configurada a R X 100K. Conecte un conductor del contador a un conductor del estator y toque el otro conductor del contador a la caja (4). Si la resistencia a tierra es menor que 500,000 ohmios, hay humedad en las bobinas o pérdida a través del aislamiento del estator. Es necesario secar el estator y volver a chequearlo con el ohmímetro. Si la resistencia es menor que 500,000 ohmios después de haberlo secado, será necesario reemplazar el estator. Una lectura de cero indica un corte directo y es necesario reemplazar el estator.

7. Si los cables están conectados a tierra y no parece haber humedad en el aceite (consulte el paso 2) se debe chequear el estator con un instrumento de prueba de alta tensión (hipot tester).  
**⚠ ADVERTENCIA Peligro de choque.** Debido a la alta tensión, sea muy cauteloso cuando utilice el hipot tester. Si se tiene cuidado cuando se usan sondas de prueba, se pueden evitar choques eléctricos peligrosos.  
 Usando una tensión de 1500 voltios para motores de 115 voltios y de 2000 voltios para motores de 230 voltios, toque el conductor blanco con una sonda y las láminas del estator con la otra por un segundo solamente. Un zumbido indicará la formación de un arco eléctrico en la rotura del aislamiento o la presencia de una pequeña cantidad de humedad. Entonces será necesario secar o reemplazar el estator. La prueba de alta tensión es muy destructora, de manera que cada vez que se chequee el estator, se deberá reducir la tensión unos 250 voltios, de lo contrario, se puede provocar un cortocircuito en el estator debido a una rotura en el aislamiento.
8. Repita el paso 4, esta vez fijando los conductores del contador en los hilos del estator. Si se obtiene una lectura de cero, el bobinado es defectuoso y es necesario reemplazar el estator.
9. Saque el tornillo del impulsor y la arandela del impulsor, luego destornille el impulsor (10). Sujete la unidad del rotor/eje con un destornillador y golpetee el impulsor cuidadosamente con un martillo de plástico o de caucho.
10. Retire el tornillo para metales de cabeza plana de la placa selladora (9). Retire el aro de fijación (8) y la caja del motor (4) de la placa selladora (9).
11. Retire los cuatro pernos de cabeza hexagonal del estator y levante y saque el estator de la placa selladora (9). Se puede insertar un destornillador debajo del estator para retirar el estator.
12. Golpee el extremo del eje con un martillo de plástico. Esto empujará la mitad giratoria de la junta mecánica (14) del eje y también empujará el cojinete inferior de la placa selladora (9). Ahora retire la unidad del eje, rotor y cojinete de la placa selladora (9).
13. Si se encuentra agua en el aceite, se deberá reemplazar tanto la mitad giratoria como la estacionaria de la junta mecánica (14). Retire la mitad estacionaria de la junta insertando un destornillador en la placa selladora (9) desde la parte superior y golpeteando ligeramente con un martillo.

14. Gire el cojinete a mano: si se siente áspero cuando se hace girar o parece oxidado, se deberá reemplazar. Use un extractor de cojinetes para retirar el cojinete.

## Re-ensamblaje

1. Limpie a fondo las cavidades de la junta (14) y del cojinete en la voluta. Se debe remover toda la arena y suciedad.
2. Si se había retirado la mitad estacionaria de la junta, cubra la mitad estacionaria de la junta de repuesto con un lubricante para aros tóricos y use un empujador de plástico para presionarla dentro de la caja del motor (4). Cerciórese de que se haya colocado el aro de caucho primero. No use objetos filosos que puedan dañar la junta.
3. Cuando instale un cojinete de repuesto, sólo oprima la cara interior y cerciórese de que el cojinete quede al ras contra el aro de resorte. Si no se dispone de una prensa, se puede golpetear el cojinete sobre el eje, usando un manguito que toque solamente la cara interior. Si se hace presión sobre la cara exterior, se puede arruinar el cojinete.  
**AVISO:** Nunca golpee la cara exterior del cojinete ya que puede dañarlo.
4. Empuje la unidad del eje, rotor y cojinete de bolas dentro de la placa selladora (9), teniendo cuidado de no astillar la cerámica de la mitad estacionaria de la junta.
5. Reemplace el motor (5) si está visiblemente quemado o si el test de resistencia a tierra o el test de resistencia del bobinado ha fallado. Observe que el estator de repuesto debe ser de la misma marca/fabricación que el rotor ya presente o viceversa. Vuelva a colocar los cuatro pernos del estator.
6. Cubra el aro de caucho en la mitad giratoria de la junta con un lubricante para aros tóricos y oprima la junta sobre el eje con el aro de caucho mirando hacia el impulsor (10).  
**AVISO:** La mezcla de piezas viejas y nuevas de la junta provocará una falla en la junta inmediatamente. Cuando se reemplace la junta, se deberá reemplazar tanto la mitad giratoria como la mitad estacionaria de la junta.



7. Fije el aro de fijación (8) a la placa selladora (9) y sujételo con los tornillos para metales.
8. Instale el impulsor (10) en el eje de la bomba. En modelos trifásicos (3Ø), sujete la arandela del impulsor con el tornillo del impulsor al eje de la bomba.
9. Gire el impulsor (10). Deberá girar libremente sin rozar.
10. Coloque la unidad del motor /placa selladora en la envoltura de la voluta (11).
11. Coloque el nuevo aro tórico (6) sobre el hombro de la placa selladora.
12. Limpie la unidad de la caja del motor y conecte el cordón eléctrico en la entrada del cordón de la caja del motor.
13. Conecte los hilos del cordón eléctrico a las conexiones del motor y deslice la unidad de la caja del motor sobre el motor.
14. Sujete la caja del motor a la envoltura de la voluta con tres tornillos de cabeza hexagonal (7).
15. Llegue hasta el ojo de la voluta (11) y gire el impulsor (10) nuevamente. Deberá girar libremente sin rozar.
16. Antes de llenar la caja del motor con aceite, se debe realizar una prueba de fugas desde la junta. Aplique 7 a 8 libras (3.18 kg. a 3.63 kg.) de presión de aire en la toma de 1/4" (0.64 cm) NPT (3) en la parte superior de la cubierta del motor y la cámara de la junta.  
**AVISO:** Demasiada presión dañará la junta y se deberá reemplazar.  
 Luego sumerja la bomba en agua y verifique que no haya fugas. Si hay una fuga, aísle el origen y corrija el problema reemplazando la pieza defectuosa.
7. Las bombas Hydromatic tienen un pequeño orificio de ventilación de aire en la cavidad del impulsor para dejar salir el aire atrapado. Si este orificio se obtura, se puede crear una bolsa de aire en la bomba. Para romper la bolsa de aire, use un destornillador pequeño para despejar el orificio en la cavidad del impulsor.

Como precaución secundaria en instalaciones de este tipo, se debe perforar un orificio de 1/8" en la tubería de descarga justo por encima de la voluta. La válvula de retención debe estar a un mínimo de 12 pulgadas (30.48 cm) por encima de la descarga de la bomba. No coloque la válvula de retención directamente en la abertura de descarga de la bomba.

**AVISO** En sumideros en donde la bomba funciona diariamente, es raro que haya bolsas de aire.

## Llenado de aceite

1. Después de que la prueba de fugas desde la junta sea satisfactoria, retire la unidad del agua y séquela o elimine todo exceso de agua.
2. No coloque aceite en el motor si hay agua presente en la cavidad del motor.
3. Use un aceite refinado parafínico para transformadores <sup>1</sup>Shellflex<sup>MC</sup> 2210 o equivalente.  
<sup>1</sup> Shell Oil Company, Texas
4. Lentamente llene de aceite hasta 1/8" por encima del bobinado en la caja del motor a través de la abertura (3). Use un tubo para llenar de aceite que entre en los orificios para que no se escape el aire. Vuelva a colocar el tapón (3).  
**AVISO:** No llene la caja del motor completamente - deje un espacio de aire para la expansión.
5. Conecte los hilos del cordón eléctrico a los bornes en el tablero o conecte a una fuente de energía y verifique la marcha de la bomba. El motor deberá marchar en forma uniforme sin vibraciones. La bomba está lista para funcionar.

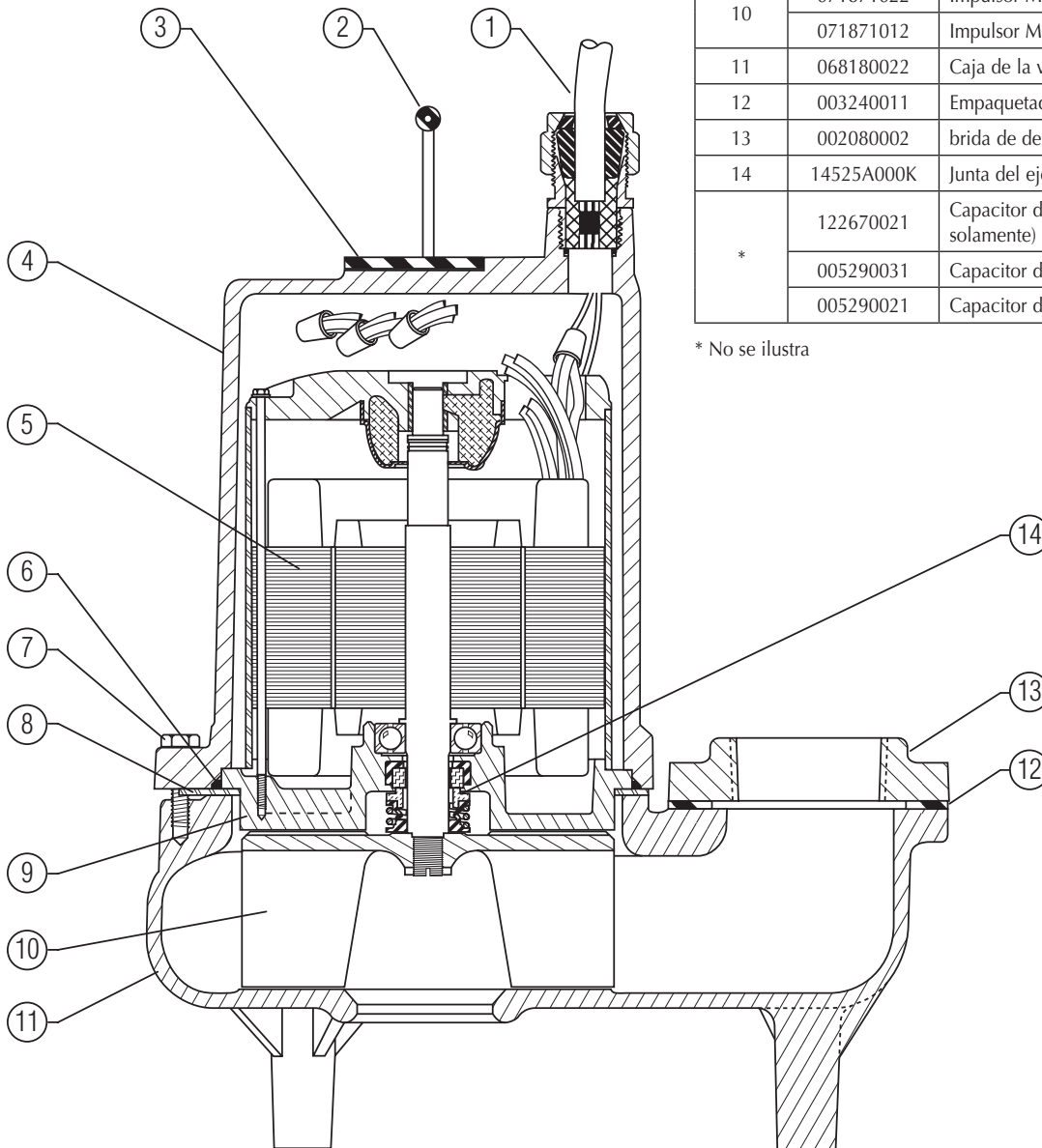
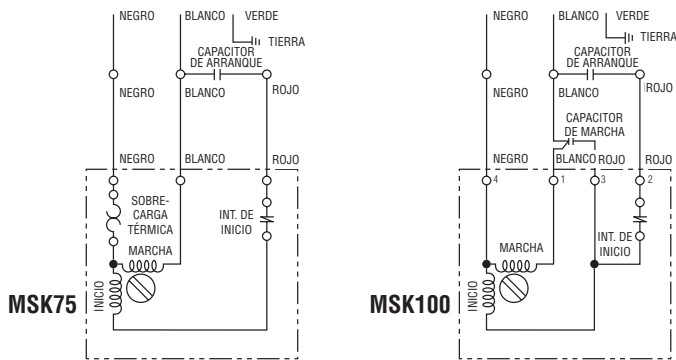


**⚠ ADVERTENCIA** **Tensión peligrosa.** Puede provocar choques, quemaduras o muerte. Desconecte la corriente eléctrica antes de tratar de dar servicio o realizar trabajos de reparación en la bomba.

**⚠ ADVERTENCIA** **Impulsores peligrosos y arranques inesperados que pueden provocar la pérdida de los dedos.** Mantenga las manos alejadas del orificio de aspiración de la bomba cuando trabaje o repare la bomba.

Síntoma	Posibles(s) causa(s)	Medida correctiva
Motor no marcha	Protector del motor disparado.	Deje que el motor se enfríe. Cerciórese de que la bomba esté completamente sumergida. Limpie los escombros de la voluta y el impulsor. Verifique que no haya un alto consumo de amperios
	Disyuntor abierto o fusible quemado.	Reemplace el fusible o reposicione el disyuntor. Si el disyuntor se abre repetidamente, no lo reposicione - llame a un electricista certificado.
	Impulsor obstruido o atascado.	Chequee el consumo de amperios. Si es más que el doble de los amperios en la placa de fábrica, el impulsor está trabado. Los cojinetes y el eje pueden estar averiados. <b>DESCONECTE LA CORRIENTE ELÉCTRICA</b> , limpie los escombros de la voluta, del impulsor y de la cuchilla según se requiera.
	Cordón eléctrico averiado.	La resistencia entre el cordón eléctrico y tierra debe ser infinita. Si la lectura es menor que infinito, llame a un electricista certificado.
	Mal tablero de control.	Inspeccione el cableado del tablero de control. Llame a un electricista certificado.
	Interruptor de nivel de líquido defectuoso.	Con el interruptor desconectado de la corriente eléctrica, chequee la continuidad a través del interruptor mientras activa el interruptor de nivel de líquido. Reemplace el interruptor si es necesario.
	No hay suficiente líquido en el pozo de bombeo para activar los controles	Deje que el líquido se eleve varias pulgadas sobre el nivel de activación del interruptor.
	Cordones de nivel de líquido enredados	Desenrede los cordones para una operación libre.
	Controles automáticos defectuosos	Trate de hacer marchar la bomba en el modo manual. Si marcha, el control automático está fallando
Bomba marcha continuamente	Cordones de nivel de líquido enredados	Desenrede los cordones para una operación libre.
	Bolsa de aire en la bomba.	Detenga la bomba por un minuto, luego vuelva a encenderla. Repita la parada y arranque hasta que se despeje la bolsa de aire. Si la bolsa de aire continúa, <b>DESCONECTE LA CORRIENTE ELÉCTRICA</b> , saque la bomba y perforo un orificio de 1/8" en la tubería de descarga entre la descarga de la bomba y la válvula de retención
	Flujo entrante coincide o sobrepasa la capacidad de la bomba	Es posible que se necesite una bomba más grande o más bombas
La bomba entrega poco o nada de efluente	Válvula de retención obturada, atascada en la posición cerrada, o instalada en forma inversa	Cerciórese de que la válvula de retención esté correctamente instalada (la flecha de flujo debe indicar en la dirección contraria a la bomba) y que funcione correctamente.
	Altura del sistema excesiva.	Consulte con el concesionario de ventas.
	Aspiración de la bomba obturada	<b>DESCONECTE LA CORRIENTE ELÉCTRICA</b> , saque la bomba, inspecciónela y despéjela según se requiera
	Tensión incorrecta o cableado incorrecto	Chequee la rotación de la bomba; chequee la tensión en la placa de fábrica contra la tensión de suministro (deben coincidir); consulte a un electricista certificado.
	Bolsa de aire en la bomba.	Detenga la bomba por un minuto, luego vuelva a encenderla. Repita la parada y arranque hasta que se despeje la bolsa de aire. Si la bolsa de aire continúa, <b>DESCONECTE LA CORRIENTE ELÉCTRICA</b> , saque la bomba y perforo un orificio de 1/8" en la tubería de descarga entre la descarga de la bomba y la válvula de retención.
	Impulsor gastado o averiado.	<b>DESCONECTE LA CORRIENTE ELÉCTRICA</b> , saque la bomba e inspeccione el impulsor. Reemplácelo si es necesario.
	Controles de nivel de líquido instalados incorrectamente o defectuosos	Reposicione o reemplace según se requiera.
La bomba pasa por los ciclos continuamente	No se ha instalado una válvula de retención en la descarga	Instale una válvula de retención en la descarga.
	Válvula de retención en descarga atascada en la posición abierta	Repare o reemplace la válvula de retención según se requiera
	Pozo de bombeo cloacal demasiado pequeño	Consulte con el concesionario de ventas.
	Controles de nivel de líquido instalados incorrectamente o defectuosos.	Reposicione o reemplace según se requiera.
	Bomba demasiado pequeña para el flujo de admisión	Consulte con el concesionario de ventas sobre una bomba más grande o una segunda bomba.

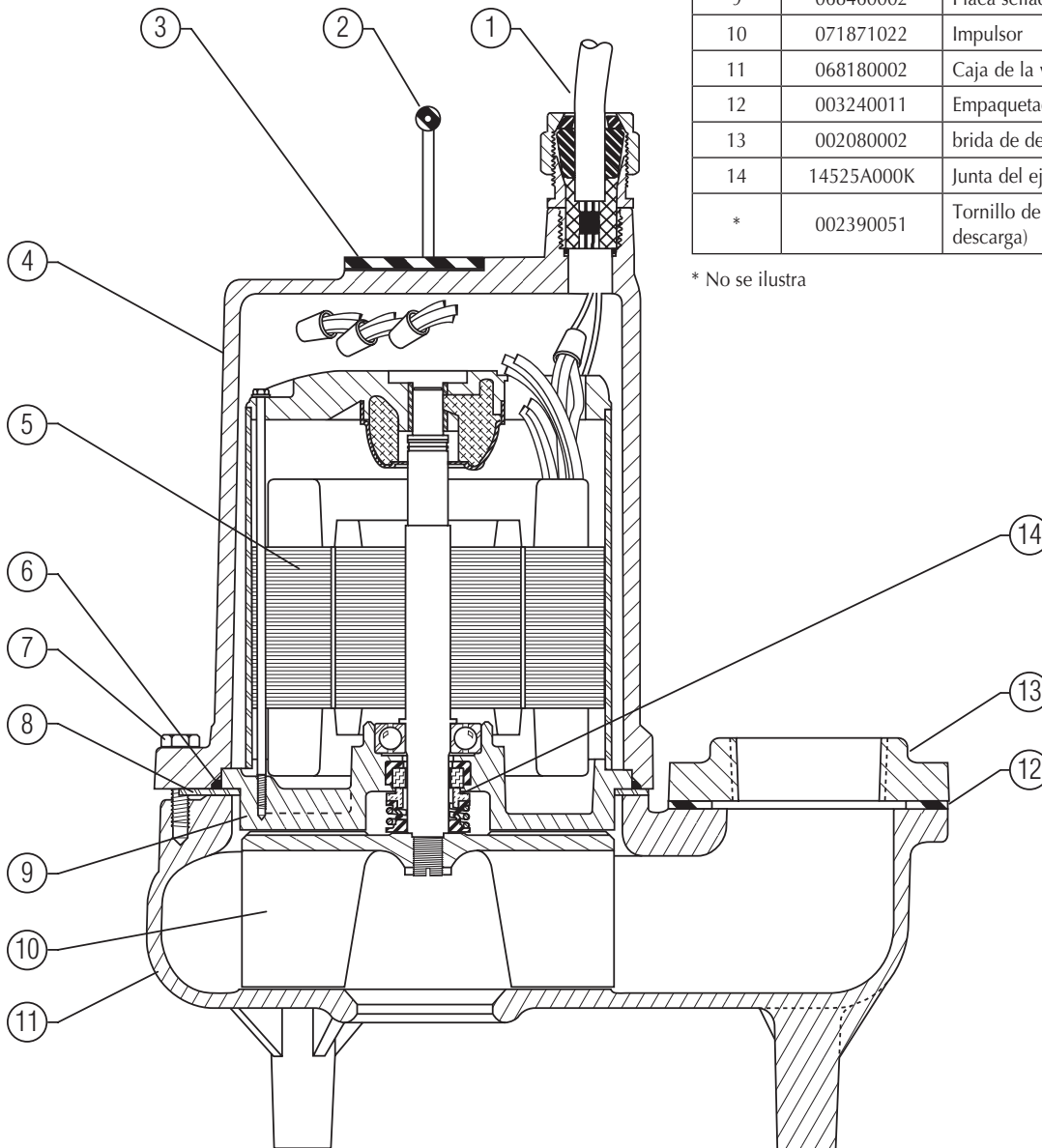
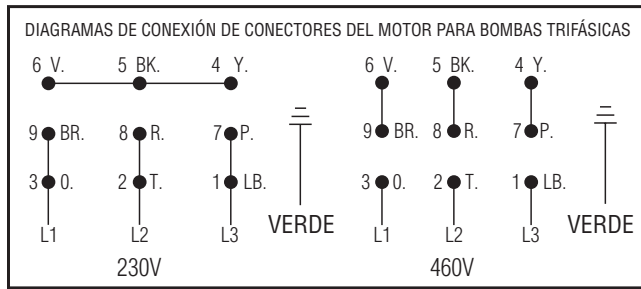
## Monofásicas



Artículo	Número de pieza	Descripción	Cant.
1	132160225	Cordón eléctrico 20'	1
	132160205	Cordón eléctrico 20', sin ficha	
2	000600005	Mango	1
3	149810011	Tapón del tubo	1
4	000565001	Caja del motor	1
5	133591001	Motor 230V (MSK100)	1
	133581001	Motor 200V (MSK75)	
	133601001	Motor 200V (MSK100)	
	133571001	Motor 230V (MSK75)	
6	000770031	Aro tórico	1
7	001010101	Tornillo de cabeza hex.	3
8	056770003	Aro de fijación	1
9	068460002	Placa selladora	1
10	071871022	Impulsor MSK75	1
	071871012	Impulsor MSK100	
11	068180022	Caja de la voluta	1
12	003240011	Empaquetadura	1
13	002080002	brida de descarga de 2"	1
14	14525A000K	Junta del eje	1
*	122670021	Capacitor de marcha (MSK100 solamente)	1
	005290031	Capacitor de arranque MSK75	1
	005290021	Capacitor de arranque MSK100	1

\* No se ilustra

## Trifásicas



Artículo	Número de pieza	Descripción	Cant.
1	116440895	Cordón eléctrico 20'	1
2	000600005	Mango	1
3	149810011	Tapón del tubo	1
4	000565001	Caja del motor	1
5	108393001	Motor 200V (MSK75)	1
	108373001	Motor 200V (MSK100)	
	108391001	Motor 230-460V (MSK75)	
	108371001	Motor 230-460V (MSK100)	
	108407001	Motor 575V (MSK75)	
	108387011	Motor 575V (MSK100)	
6	000770031	Aro tórico	1
7	001010101	Tornillo de cabeza hex.	3
8	056770003	Aro de fijación	1
9	068460002	Placa selladora	1
10	071871022	Impulsor	1
11	068180002	Caja de la voluta	1
12	003240011	Empaquetadura	1
13	002080002	brida de descarga de 2"	1
14	14525A000K	Junta del eje	2
*	002390051	Tornillo de cabeza hex. (brida de descarga)	2

\* No se ilustra

**Garantía Limitada**

**Myers® le garantiza al consumidor inicial (“Comprador” o “Usted”) de los productos indicados a continuación, que éstos estarán libres de defectos en materiales y en mano de obra durante el Período de Garantía especificado a continuación.**

<b>Producto</b>	<b>Período de garantía lo que ocurra primero:</b>
Bombas de chorro, pequeñas bombas centrífugas, bombas sumergibles y accesorios asociados	12 meses desde la fecha de la instalación inicial, o 18 meses desde la fecha de fabricación
Tanques de devanado de fibra	5 años desde la fecha de la instalación inicial
Tanques a presión de acero	5 años desde la fecha de la instalación inicial
Productos para sumideros/aguas residuales/efluente	12 meses desde la fecha de la instalación inicial, o 36 meses desde la fecha de fabricación
Unidades de batería de refuerzo MBSP-2, MBSP-2C	12 meses desde la fecha de la instalación inicial, o 18 meses desde la fecha de fabricación
MBSP-3, MBSP-3C	24 meses desde la fecha de la instalación inicial, o 30 meses desde la fecha de fabricación
Bombas procesadoras de sólidos de aguas residuales	12 meses desde la fecha de envío de la fábrica, o 18 meses desde la fecha de fabricación

Nuestra garantía se aplica solamente en los casos en que tales productos se utilicen conforme a los requerimientos del catálogo del producto y/o de los manuales correspondientes. Por información adicional, se deberá consultar la garantía limitada estándar correspondiente que aparece en el manual del producto.

Nuestra garantía no se aplicará a ningún producto que, a nuestro solo juicio, haya sido sometido a negligencia, mal uso, instalación o mantenimiento inadecuados. Sin perjuicio a lo que antecede, nuestra garantía quedará anulada en el caso en que un motor trifásico se haya usado con una fuente de alimentación monofásica, a través de un convertidor de fase. Es importante indicar que la garantía quedará anulada si los motores trifásicos no están protegidos por relés de sobrecarga de disparo extra-rápido, con compensación ambiental de tres etapas, del tamaño recomendado.

Su único recurso, y la única obligación de MYERS es la de reparar o reemplazar los productos defectuosos (a juicio de MYERS). Usted deberá pagar todos los cargos de mano de obra y de envío asociados a esta garantía y deberá solicitar el servicio bajo garantía a través del concesionario instalador tan pronto como se descubra un problema. No se aceptará ninguna solicitud de servicio bajo garantía que se reciba después del vencimiento del Período de Garantía. Esta garantía no es transferible.

**MYERS NO SE HARÁ RESPONSABLE DE NINGÚN DAÑO CONSECUENTE, INCIDENTAL O CONTINGENTE.**

**LAS GARANTÍAS LIMITADAS QUE ANTECEDEN SON EXCLUSIVAS Y EN LUGAR DE TODA OTRA GARANTÍA EXPLÍCITA O IMPLÍCITA, INCLUYENDO, PERO SIN LIMITARSE, A LAS GARANTÍAS IMPLÍCITAS DE COMERCIALIZACIÓN E IDONEIDAD PARA UN FIN ESPECÍFICO, LAS GARANTÍAS LIMITADAS QUE ANTECEDEN NO SE EXTENDERÁN MÁS ALLÁ DEL PERÍODO DE GARANTÍA INDICADO EN LA PRESENTE.**

Ciertos estados no permiten la exclusión o limitación de daños incidentales o consecuentes o la aplicación de limitaciones en la duración de garantías implícitas, de modo que es posible que las limitaciones o exclusiones que preceden no correspondan en su caso. Esta garantía le otorga derechos legales específicos, y es posible que Usted tenga otros derechos que pueden variar de un estado al otro.

Esta Garantía Limitada entra en vigor a partir del 1 de abril de 2014 y reemplaza toda otra garantía sin fecha o con fecha anterior al 1 de abril de 2014.

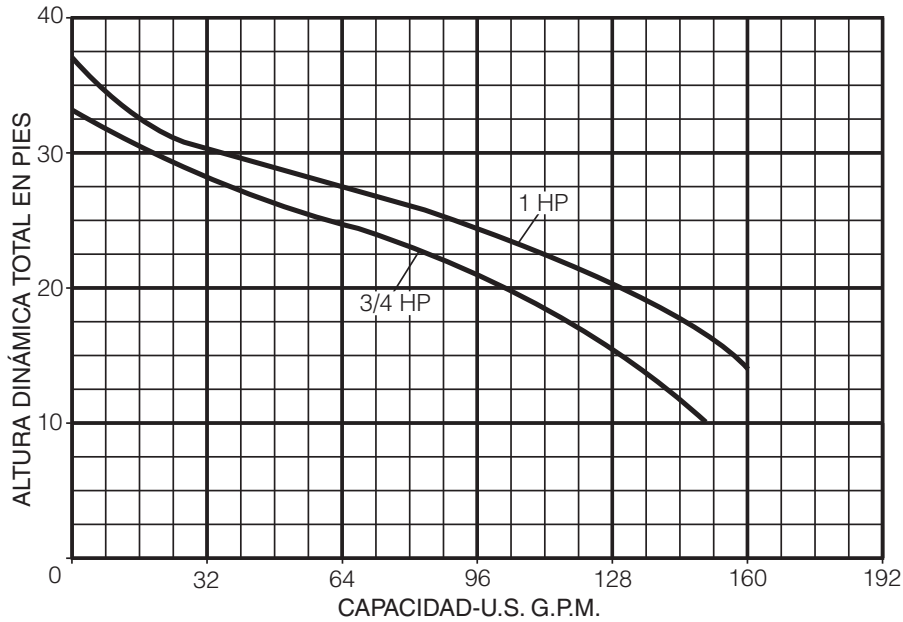
**MYERS**

293 Wright Street, Delavan, WI 53115  
 Teléfono: 888-987-8677 • Fax: 800-426-9446 • [www.femyers.com](http://www.femyers.com)  
 En Canadá: 490 Pinebush Road, Unit 4, Cambridge, Ontario N1T 0A5  
 Teléfono: 800-363-7867 Fax: 888-606-5484

## Especificaciones del producto

Modelo	MSK75	MSK100
Aplicación típica:	Aguas residuales, efluente, drenaje	
Capacidades:	hasta 147 GPM (556 LPM)	hasta 160 GPM (606 LPM)
Alturas:	hasta 34 ft (10.3 m)	hasta 38 ft (11.6 m)
Eléctrico:	208V 1ø 10.4 FLA, 60Hz; 230V, 1ø, 9 FLA, 60Hz; 230V, 3ø, 3.5 FLA, 60Hz; 460V, 3ø, 1.8 FLA, 60Hz; 575V, 3ø, 1.44 FLA, 60Hz	208V, 1ø, 11.5 FLA, 60Hz; 230V, 1ø, 10 FLA, 60Hz; 230V, 3ø, 4.4 FLA, 60Hz; 460V, 3ø, 2.2 FLA, 60Hz; 575V, 3ø, 1.7 FLA, 60Hz
Motor:	3/4 HP (con capacitor de arranque,monofásico), 1750 RPM	1 HP (con capacitor de arranque,monofásico), 1750 RPM
Temperatura intermitente del líquido :	140°F (60°C)	
Diámetro mínimo del sumidero recomendado:	Simplex = 24" (609.6 mm); Dúplex = 36" (914.4 mm)	
Operación automática:	Sin interruptor estándar (Manual) (Anclado de ángulo grande opcional)	
Materiales de construcción:	Hierro fundido categoría 30	
Impulsor:	Hierro fundido categoría 30, dos paletas	
Tamaño de la descarga:	2" NPT (5.08 cm) estándar, 3" NPT (7.62 cm) opcional	
Procesamiento de sólidos:	2" (50.8 mm)	
Cordón eléctrico:	20' STW-A	

## Curva de desempeño



THIS PAGE INTENTIONALLY LEFT BLANK

THIS PAGE INTENTIONALLY LEFT BLANK



