

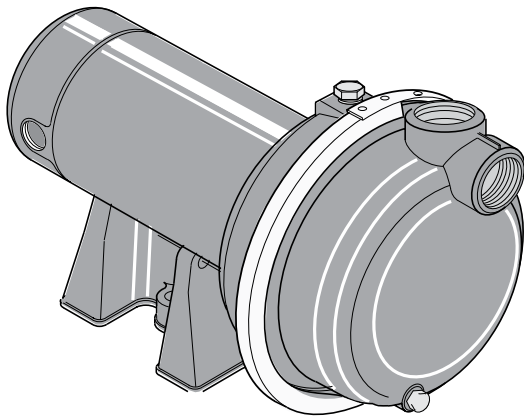


MYERS®

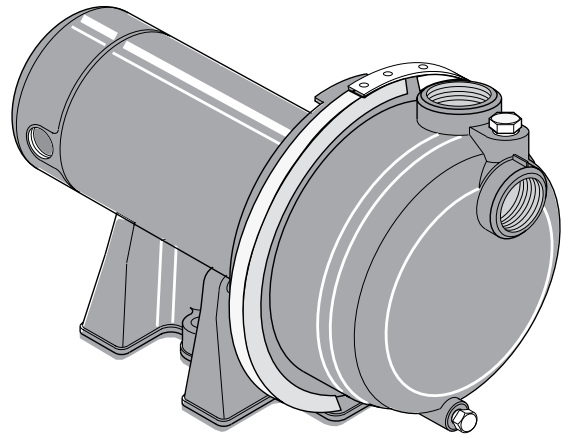
OWNER'S MANUAL
**Corrosion Resistant
Self-Priming Centrifugal Pump**

NOTICE D'UTILISATION
**Pompes centrifuges
auto-amorçantes
résistant à la corrosion**

MANUAL DEL PROPIETARIO
**Bomba centrifuga autocebadora
resistente a la corrosión**



PQP10, PQP15



PQP20, PQP25

Installation/Operation/Parts

For further operating, installation,
or maintenance assistance:

Call 1-888-987-8677

English..... Pages 2-15

Installation/Fonctionnement/Pièces

Pour plus de renseignements
concernant l'utilisation,
l'installation ou l'entretien,

Composer le 1 (888) 987-8677

Français Pages 16-29

Instalación/Operación/Piezas

Para mayor información sobre el
funcionamiento, instalación o
mantenimiento de la bomba:

Llame al 1-888-987-8677

Español..... Paginas 30-43



⚠ DANGER

⚠ WARNING

⚠ CAUTION

READ AND FOLLOW SAFETY INSTRUCTIONS!

This is the safety alert symbol. When you see this symbol on your pump or in this manual, look for one of the following signal words and be alert to the potential for personal injury:

DANGER warns about hazards that **will** cause serious personal injury, death or major property damage if ignored.

WARNING warns about hazards that **can** cause serious personal injury, death or major property damage if ignored.

CAUTION warns about hazards that **will** or **can** cause minor personal injury or property damage if ignored.


The label **NOTICE** indicates special instructions which are important but not related to hazards.

Carefully read and follow all safety instructions in this manual and on pump.

Keep safety labels in good condition. Replace missing or damaged safety labels.

ELECTRICAL SAFETY

⚠ WARNING



Hazardous voltage. Can shock, burn, or cause death.

Ground pump before connecting to power supply.

⚠ Wire motor for correct voltage. See “Electrical” section of this manual and motor nameplate.

⚠ Ground motor before connecting to power supply.

⚠ Meet National Electrical Code, Canadian Electrical Code, and local codes for all wiring.

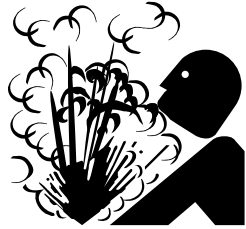
⚠ Follow wiring instructions in this manual when connecting motor to power lines.

Make workshops childproof; use padlocks and master switches; remove starter keys.

⚠ CAUTION Do not touch an operating motor. Modern motors are designed to operate at high temperatures. To avoid burns when servicing pump, allow it to cool for 20 minutes after shut-down before handling.

GENERAL SAFETY

⚠ WARNING



Hazardous pressure! Do not run pump against closed discharge.

Release all pressure on system before working on any component.

Pump is designed as a lawn sprinkler only. To avoid heat built-up, over pressure hazard and possible injury, do not use in a pressure tank (domestic water) system. Do not use as a booster pump; pressurized suction may cause pump body to explode.

Do not allow pump or piping system to freeze. Freezing can damage pump and pipe, may lead to injury from equipment failure and will void warranty.

Pump water only with this pump.

Periodically inspect pump and system components.

Wear safety glasses at all times when working on pumps.

Keep work area clean, uncluttered and properly lighted; store properly all unused tools and equipment.

Keep visitors at a safe distance from the work areas.

California Proposition 65 Warning

⚠ WARNING This product and related accessories contain chemicals known to the State of California to cause cancer, birth defects or other reproductive harm.

Before You Install Your Pump

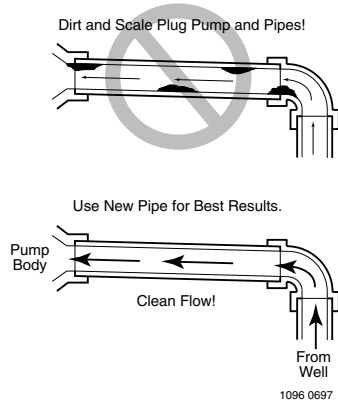


Figure 1 – No Dirt or Scale in Suction Pipe

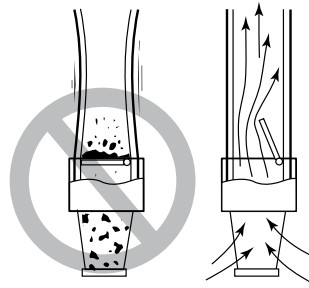


Figure 2 – Foot Valve Must Work Freely

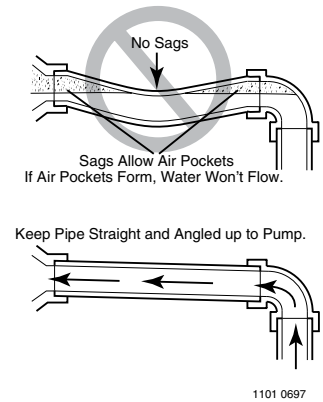


Figure 3 – No Air Pockets in Suction Pipe

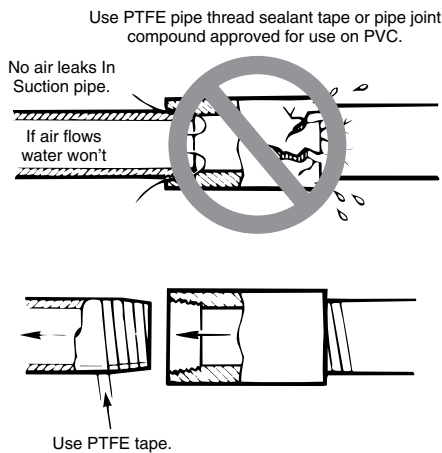


Figure 4 – Suction Pipe Must Not Leak

NOTICE: Well must not be more than 20' depth to water.

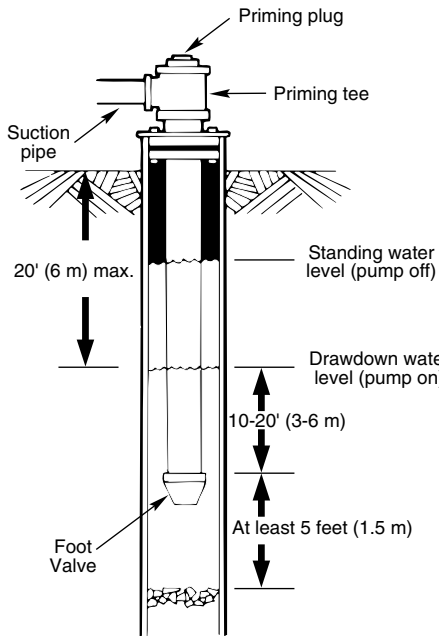
1. Long runs and many fittings increase friction and reduce flow. Locate pump as close to well as possible: use as few elbows and fittings as possible.
2. Be sure well is clear of sand. Sand will plug the pump and void the warranty.
3. Protect pump and all piping from freezing. Freezing will split pipe, damage pump and void the warranty. Check locally for frost protection requirements (usually pipe must be 12" below frost line and pump must be insulated).
4. Be sure all pipes and foot valve are clean and in good shape.
5. No air pockets in suction pipe.
6. No leaks in suction pipe. Use PTFE pipe thread sealant tape to seal pipe joints.
7. Unions installed near pump and well will aid in servicing. Leave room to use wrenches.
8. **⚠ WARNING** Pump body may explode if used as a booster pump. **DO NOT** use in a booster application.

PERFORMANCE CHART (in gallons per minute) High Head

Disch. Press PSI	PQP10				PQP15				PQP20				PQP25			
	Distance Above Water															
	5'	10'	15'	20'	5'	10'	15'	20'	5'	10'	15'	20'	5'	10'	15'	20'
	Capacity – Gallons Per Minute															
10	55	49	48	45	67	61	56	46	69	67	65	62	92	83	81	78
15	51	46	45	44	66	58	55	45	65	63	60	58	86	79	78	76
20	45	42	39	37	61	56	54	44	59	56	54	52	80	76	75	74
25	38	35	32	29	55	52	51	43	52	50	48	45	73	71	70	69
30	31	28	24	20	48	45	44	38	47	45	42	40	66	66	65	64
35	23	19	16	11	39	37	34	28	42	38	35	32	60	60	59	58
40	17	13	8		33	27	20	11	34	30	27	23	55	54	53	52
45					18	14	8		25	17	10		47	46	46	45
50									14	7			40	38	37	36

Models PQP10 and PQP15 have discharge of 1-1/2" NPT and suction is 2" NPT.
PQP20 and PQP25 have 2" NPT suction and discharge.

Well Pipe Installation



828 0993

Figure 5 – Cased/Dug Well Installation

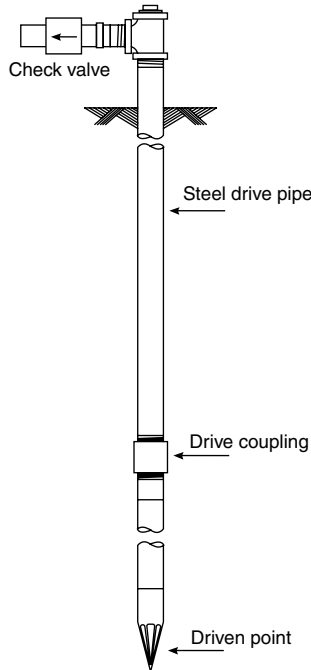
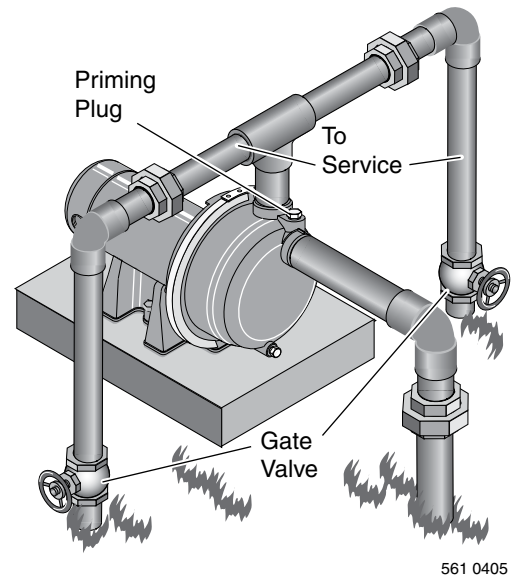


Figure 6 – Driven Point Installation



561 0405

Figure 7 – Multiple Discharge

NOTICE: Use the installation method below which matches your well type.

CASED WELL INSTALLATION

1. Inspect foot valve to be sure it works freely. Inspect strainer to be sure it is clean.
2. Connect foot valve and strainer to the first length of suction pipe and lower pipe into well. Add sections of pipe as needed, using PTFE pipe thread sealant tape on male threads. Be sure that all suction pipe is leakproof or pump will lose prime and fail to pump. Install foot valve 10 to 20 feet below the lowest level to which water will drop while pump is operating (pumping water level). Your well driller can furnish this information.
3. To prevent sand and sediment from entering the pumping system, the foot valve/strainer should be at least 5 feet above the bottom of the well.
4. When the proper depth is reached, install a sanitary well seal over the pipe and in the well casing. Tighten the bolts to seal the casing.
5. When using a foot valve, a priming tee and plug as shown in Figure 5 are recommended.

DUG WELL INSTALLATION

Same as cased well installation.

DRIVEN POINT INSTALLATION

1. Connect the suction pipe to the drive point as illustrated in Figure 6. Keep horizontal pipe run as short as possible. Use PTFE pipe thread sealant tape on male pipe threads. Multiple well points may be necessary to provide sufficient water to pump.

2. Install a check valve in horizontal pipe. Flow arrow on check valve must point toward pump.

HORIZONTAL PIPING FROM WELL TO PUMP

1. Never install a suction pipe that is smaller than the suction port of the pump.
2. To aid priming on well point installations, install a line check valve as shown in Figure 6. Be sure check valve flow arrow points toward pump.

DISCHARGE PIPE SIZES

1. If increasing discharge pipe size, install reducer in pump discharge port. Do not increase pipe size by stages.
2. When the pump is set away from the points of water use, the discharge pipe size should be increased to reduce pressure losses caused by friction.
 - Up to 100' run: Same size as pump discharge port.
 - 100' to 300' run: Increase one pipe size.
 - 300' to 600' run: Increase two pipe sizes.

LAWN SPRINKLING APPLICATION

This pump is designed for lawn sprinkling. It is designed to deliver plenty of water at full sprinkler pressure. It can pump from a pond, cistern or well points.

Pump discharge can be divided to supply two (2) or more sprinkler systems. A suggested multiple discharge to service is shown in Figure 7.

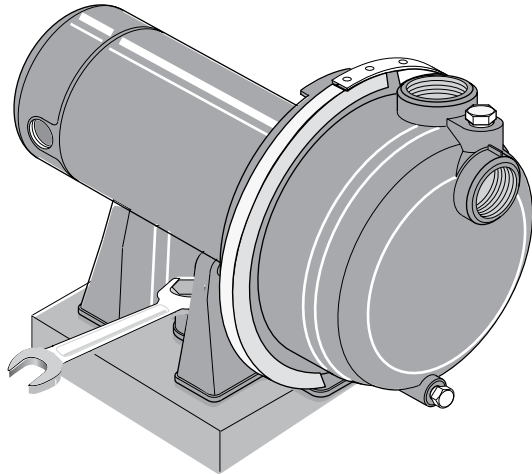
Do not use in a pressure tank or booster pump application.

Pump/Piping Installation

PUMP INSTALLATION

NOTICE: Use only PTFE pipe thread sealant tape for making all threaded connections to the pump itself. **Do not use pipe joint compounds on plastic pumps:** they can react with the plastic in the pump components. Make sure that all pipe joints in the suction pipe are air tight as well as water tight. *If the suction pipe can suck air, the pump will not be able to pull water from the well.*

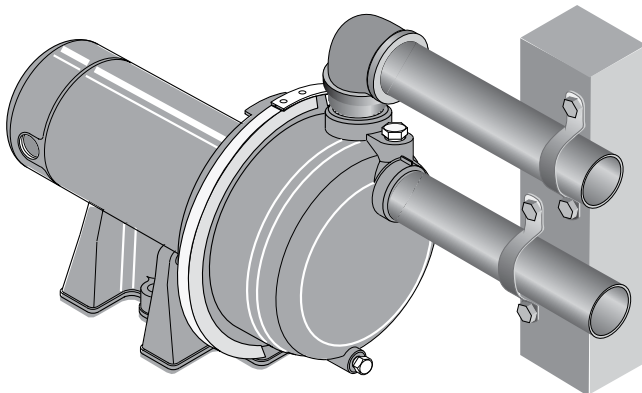
1. Bolt pump to solid, level foundation.



532 0405

Figure 8 – Bolt Pump Down

2. Support all piping connected to the pump.



530 0405

Figure 9 – Independently Support All Piping Attached to Pump

3. Wrap 1-1/2 to two layers of PTFE pipe thread sealant tape clockwise (as you face end of pipe) on all male threads being attached to pump.

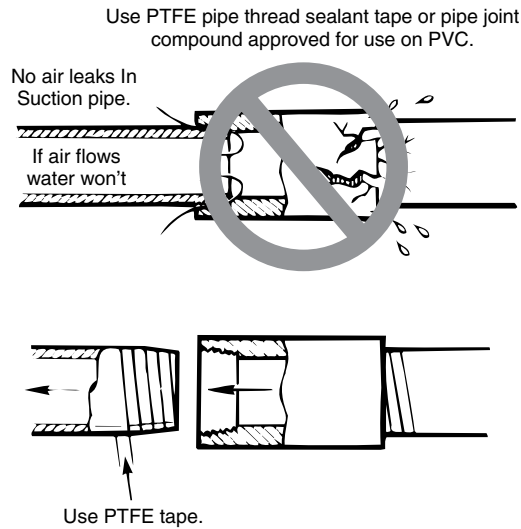


Figure 10 – Use PTFE pipe thread sealant tape on pipe joints and connections to pump

4. Tighten joints hand tight plus 1-1/2 turns. **Do not overtighten.**

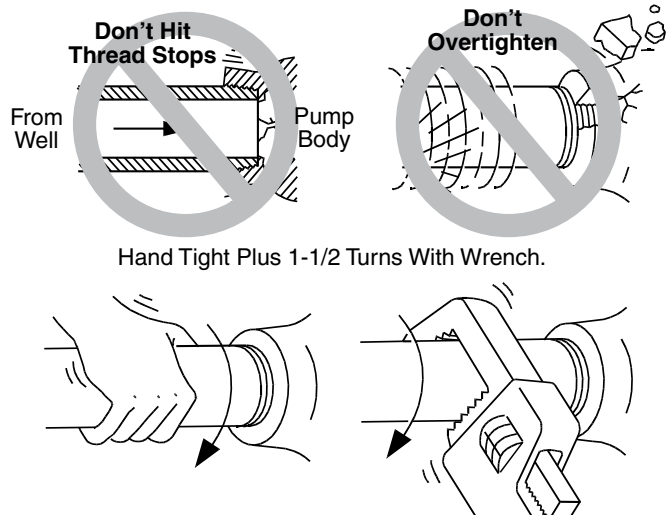


Figure 11 – Don't overtighten

NOTICE: Install pump as close to well head as possible. Long piping runs and many fittings create friction and reduce flow.

NOTICE: For long horizontal pipe runs, install a priming tee between check valve and well head as shown in Figure 6. For driven point installations, install a check valve as shown in Figure 6. Be sure check valve flow arrow points **toward** pump.

Use schedule 80 or iron pipe. See "Well Pipe Installation" for more information.

Electrical

THE MOTOR IS SET FOR 230 VOLTS WHEN SHIPPED.

To change the motor to use 115 volts:

1. Turn off power
2. Remove the back motor cover.
3. Use a screwdriver or 1/2" wrench and turn the voltage selector dial counterclockwise until 115 shows in the dial opening.
4. Reinstall the motor cover.



Figure 12: Changing the Voltage Setting



Figure 13: Motor Set for 115 Volt Operation

⚠ WARNING **Hazardous voltage.** Can shock, burn, or cause death. Disconnect power to motor before working on pump or motor. Ground motor before connecting to power supply.

WIRING

⚠ **Ground motor before connecting to electrical power supply. Failure to ground motor can cause severe or fatal electrical shock hazard.**

⚠ **Do not ground to a gas supply line.**

⚠ **To avoid dangerous or fatal electrical shock, turn OFF power to motor before working on electrical connections.**

⚠ **Supply voltage must be within $\pm 10\%$ of nameplate voltage. Incorrect voltage can cause fire or damage motor and voids warranty. If in doubt consult a licensed electrician.**

⚠ **Use wire size specified in Wiring Chart (Page 7). If possible, connect pump to a separate branch circuit with no other appliances on it.**

⚠ **Wire motor according to diagram on motor nameplate. If nameplate diagram differs from diagrams above, follow nameplate diagram.**

1. Install, ground, wire and maintain this pump in accordance with electrical code requirements. Consult your local building inspector for information about codes.
2. Provide a correctly fused disconnect switch for protection while working on motor. Consult local or national electrical codes for switch requirements.
3. Disconnect power before servicing motor or pump. If the disconnect switch is out of sight of pump, lock it open and tag it to prevent unexpected power application.
4. Ground the pump permanently using a wire of the same size as that specified in wiring chart (Page 7). Make ground connection to green grounding terminal under motor canopy marked GRD. or \oplus .

Electrical

5. Connect ground wire to a grounded lead in the service panel or to a metal underground water pipe or well casing at least 10 feet long. Do not connect to plastic pipe or insulated fittings.
6. Protect current carrying and grounding conductors from cuts, grease, heat, oil, and chemicals.
7. Connect current carrying conductors to terminals L1 and L2 under motor canopy. When replacing motor, check wiring diagram on motor nameplate against Figures 12-13. If the motor wiring diagram does not match either diagram in Figures 12-13, follow the diagram on the motor.

IMPORTANT: 115/230 Volt single phase models are shipped from factory with motor wired for 230 volts. If power supply is 115 volts, remove motor canopy and reconnect motor as shown in Figures 12-13. Do not try to run motor as received on 115 volt current.

8. Motor has automatic internal thermal overload protection. If motor has stopped for unknown reasons, thermal overload may restart it unexpectedly, which could cause injury or property damage. Disconnect power before servicing motor.
9. If this procedure or the wiring diagrams are confusing, consult a licensed electrician.

WIRING CHART (Recommended Wire and Fuse Sizes)

Pump Model	HP	Volt	Max. Load Amps	Branch Fuse* Rating* Amps	DISTANCE IN FEET FROM MOTOR TO METER					
					0 - 50	51 - 100	101 - 200	201 - 300	301 - 400	401 - 500
					WIRE SIZE (AWG)					
PQP10	1	115/230	14.8/7.4	20/15	12/14	12/14	8/14	6/14	6/12	4/10
PQP15	1-1/2	115/230	19.2/9.6	25/15	10/14	10/14	8/14	6/12	4/10	4/10
PQP20	2	115/230	24.0/12.0	30/15	10/14	10/14	8/14	6/12	4/10	4/10
PQP25	2-1/2	115/230	26.0/13.0	30/15	10/14	10/14	8/14	6/12	4/10	4/10

* Time delay fuse or circuit breakers are recommended in any motor circuit.

Operation

PRIMING THE PUMP

NOTICE: 'Priming' refers to the pump expelling all air in the system and beginning to move water from its source out into the system. It does not refer only to pouring water into the pump (although pouring water in is usually the first step).

NOTICE: NEVER run pump dry. Running pump without water in it will damage seals and can melt impeller and diffuser. To prevent damage, **fill pump with water before starting.**

1. Remove priming plug (Figure 14).

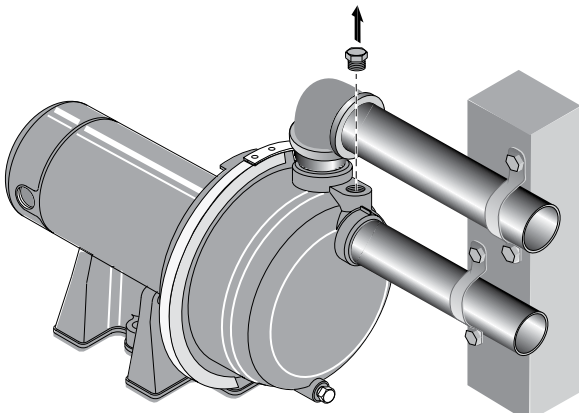


Figure 14 – Remove Priming Plug

2. Make sure suction and discharge valves and any hoses on discharge side of pump are open.
3. Fill pump and suction pipe with water.
4. Replace priming plug, using PTFE pipe thread sealant tape on thread; tighten plug.

NOTICE: If a priming tee and plug have been provided for a long horizontal run, be sure to fill suction pipe through this tee and replace plug. (Don't forget to PTFE pipe thread sealant tape the plug.)

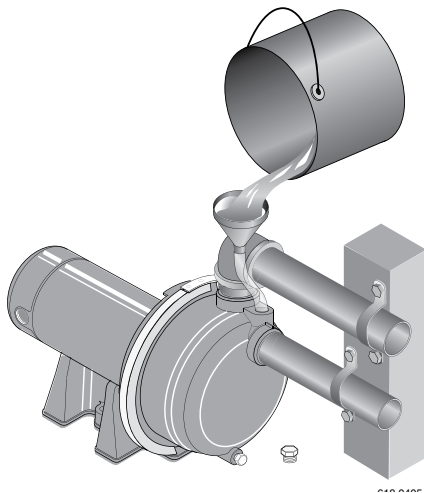


Figure 15 – Fill Pump Before Starting

5. Start pump: water should be produced in 10 minutes or less, the time depending on depth to water (not more than 20') and length of horizontal run (10' of horizontal suction pipe = 1' of vertical lift due to friction losses in the pipe).

If no water is produced within 10 minutes, stop pump, release all pressure, remove priming plug, refill and try again.

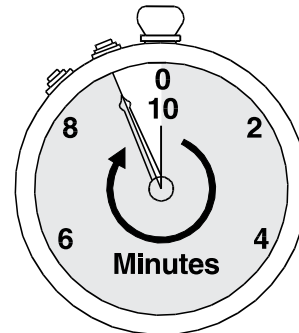


Figure 16 – Run Ten Minutes or Less

⚠ WARNING Hazardous pressure and risk of explosion and scalding. If pump is run continuously at no flow (that is, with discharge shut off or without priming), water may boil in pump and piping system. Under steam pressure, pipes may rupture, blow off of fittings or blow out of pump ports and scald anyone near.

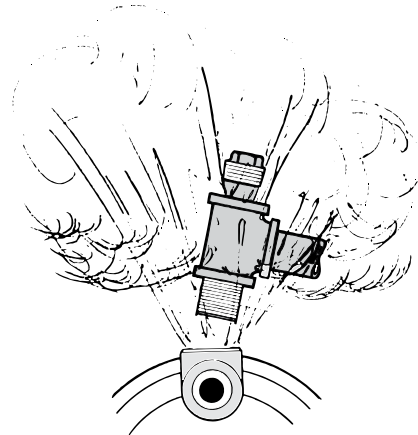


Figure 17 – Do Not Run Pump with Discharge Shut-off

To prevent explosion, do the following:

- A. Be sure discharge (valve, pistol grip hose nozzle, etc.) is open whenever pump is running.
- B. If pump fails to produce water, release all pressure, drain pump and refill with cold water after every two attempts.
- C. When priming, monitor pump and piping temperature. If pump or piping begin to feel warm to the touch, shut off pump and allow system to cool off. Release all pressure in system and refill pump and piping with cold water.

Maintenance

MAINTENANCE

Pump and piping need not be disconnected to repair or replace motor or seal (see Figure 19). If motor is replaced, replace the shaft seal. Keep one on hand for future use.

Be sure to prime pump before starting.

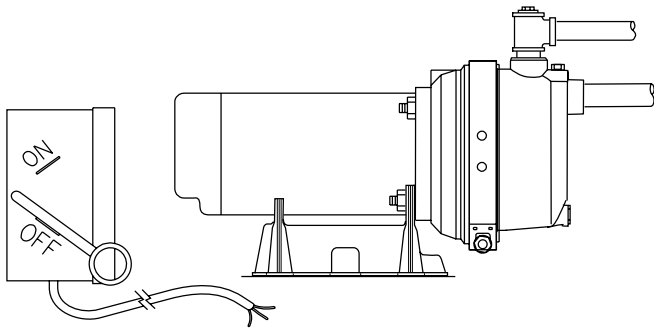
NOTICE: Check motor label for lubrication instructions. The mechanical shaft seal in the pump is water lubricated and self-adjusting.

NOTICE: Drain pump when disconnecting from service or when it might freeze.

PUMP DISASSEMBLY

1. Disconnect power to motor.

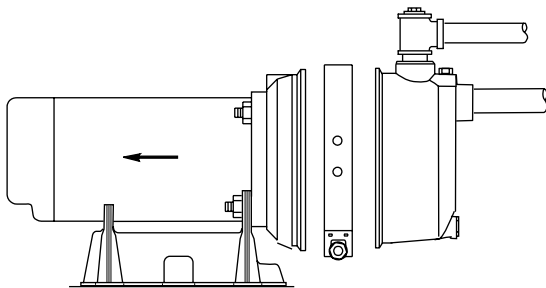
NOTICE: Mark wires for correct assembly.



548 0405

Figure 18 – Disconnect Power

2. Remove clamp (see Figure 19).
3. Remove pump base mounting bolts. Motor assembly and back half of pump can now be pulled away from pump front half (Figure 19). CAREFULLY remove O-ring.



542 0405

Figure 19 – Slide Motor Back

CLEANING/REPLACING IMPELLER

NOTICE: First, follow instructions under “Pump Disassembly”.

1. Remove four screws fastening diffuser to seal plate; remove diffuser (see Figure 20). Exposed impeller can now be cleaned.

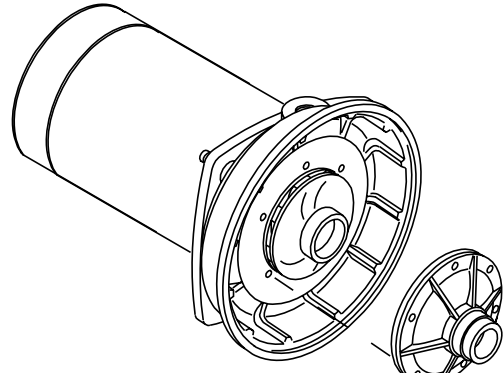


Figure 20 – Remove Diffuser

2. If impeller must be replaced, loosen two machine screws and remove motor canopy (see Figure 21).

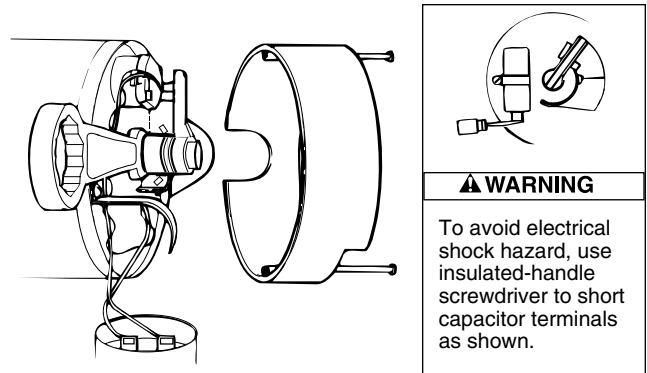


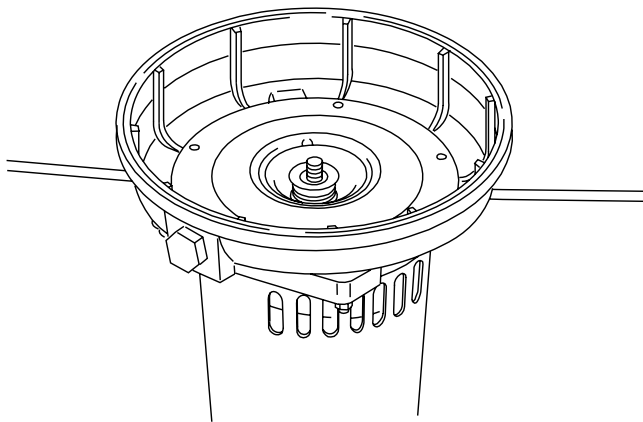
Figure 21 – Hold Shaft

3. **WARNING** Capacitor voltage may be hazardous. To discharge capacitor, hold insulated handle screwdriver **BY THE HANDLE** and short capacitor terminals together (see Figure 21). Do not touch metal screwdriver blade or capacitor terminals. If in doubt, consult a qualified electrician.
4. Unscrew capacitor clamp and remove capacitor. Do not disconnect capacitor wires to motor.
5. Slide 7/16" open end wrench in behind spring loaded switch on motor end of shaft; hold motor shaft with wrench on shaft flats and unscrew impeller by turning counterclockwise when looking into eye of impeller.
6. To reinstall, reverse steps 1 through 5.
7. See directions under “Pump Reassembly,” Page 11.

Maintenance (Continued)

REMOVING OLD SEAL

1. Follow instructions under "Pump Disassembly".
2. Follow steps 2 through 5 under "Cleaning/Replacing Impeller".
3. Unscrew four nuts holding pump back half to motor. Remove rotating half of seal by placing two screwdrivers under back half of pump body and **carefully** prying up (Figure 22). Back half of pump body will slide off shaft, bringing seal with it.



754 0993

Figure 22 – Remove Seal plate

NOTICE: Be sure you do not scratch or mar shaft; if shaft is marred, it must be dressed smooth with fine emery or crocus cloth before installing new seal. **DO NOT** reduce shaft diameter!

4. Place pump body half face down on flat surface and tap out stationary half of seal (see Figure 23).

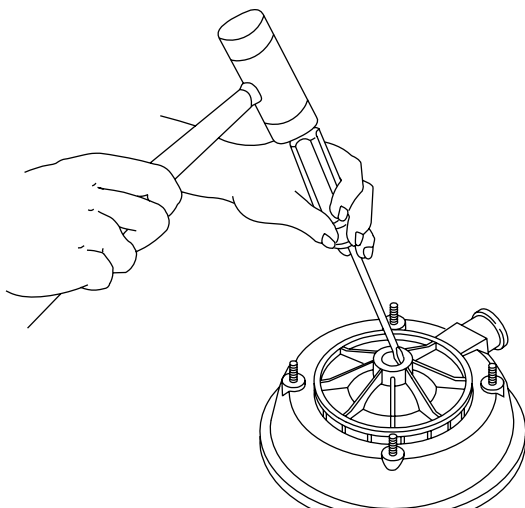
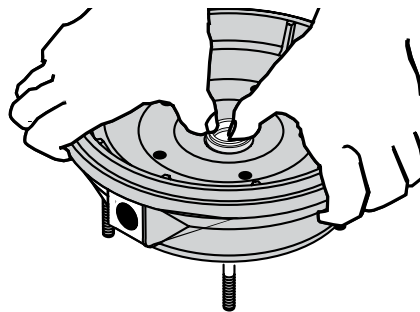


Figure 23 – Tap Out Seal

INSTALLING NEW SEAL

1. Clean seal cavity in seal plate.
2. Wet outer edge of Rubber Cup on ceramic seat with liquid soap. Be sparing!
3. Put clean cardboard washer on seal face. With thumb pressure, press ceramic seal half firmly and squarely into seal cavity (See Figure 24). Polished face of ceramic seat is up. If seal will not seat correctly, remove, placing seal **face up** on bench. Reclean cavity. Seal should now seat correctly.



477 0194

Figure 24 – Press in New Seal

4. If seal does not seat correctly after recleaning cavity, place a cardboard washer over polished seal face and **carefully** press into place using a piece of standard 3/4" pipe as a press.

NOTICE: Be sure you do not scratch seal face.

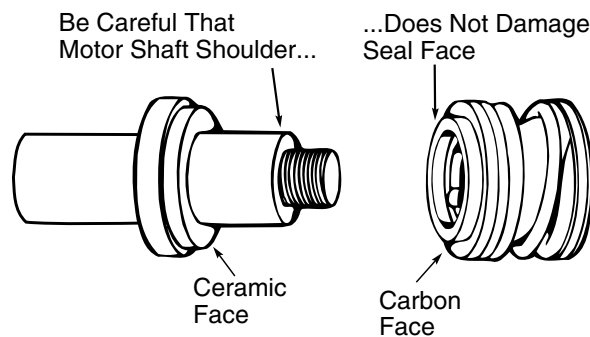


Figure 25 – Protect Seal Faces

5. Dispose of cardboard washer and recheck seal face to be sure it is free of dirt, foreign particles, scratches and grease.
6. Inspect shaft to be sure it is free of nicks and scratches.
7. Reassemble pump body half to motor flange. **BE SURE** it is right side up.
8. Apply liquid soap sparingly (one drop is sufficient) to inside diameter of rotating seal member.
9. Slide rotating seal member (carbon face first) onto shaft until rubber drive ring hits shaft shoulder.

NOTICE: Be sure not to nick or scratch carbon face of seal when passing it over threaded shaft end or shaft shoulder. The carbon surface must remain clean or short seal life will result.

Maintenance (Continued)

10. Hold motor shaft with 7/16" open end wrench on shaft flats and screw impeller onto shaft. **Be sure you do not touch capacitor terminals with body or any metal object.** Tightening impeller will automatically locate seal in correct position.

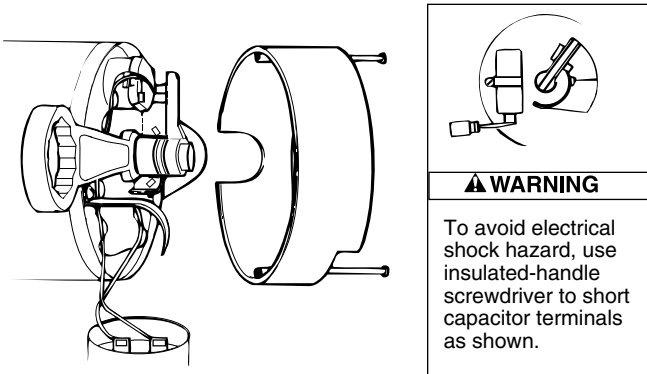


Figure 26 – Hold Shaft

11. Remount diffuser on pump body half with five screws.
12. Follow instructions under “Pump Reassembly”.

PUMP REASSEMBLY

1. Clean O-ring and O-ring groove.
2. Put O-ring in groove on face of flange; put pump halves together (see Figure 27).

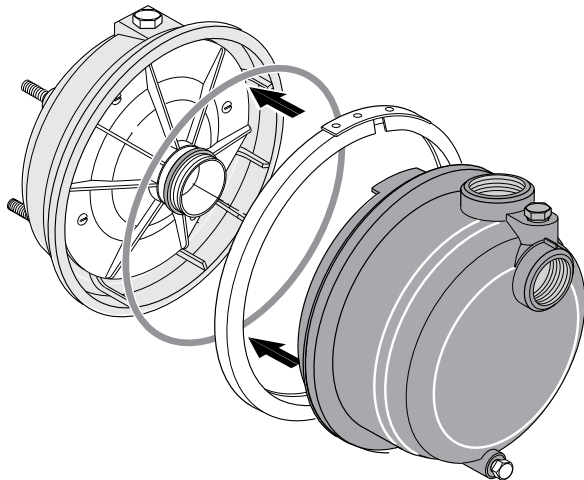
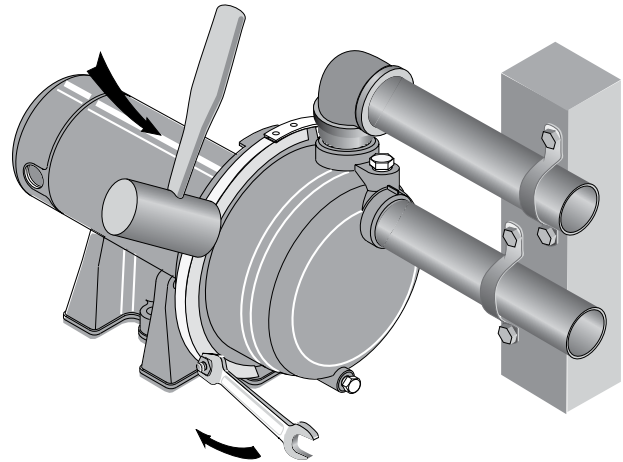


Figure 27 – Assemble Pump

3. **BE SURE** inside of clamp is clean. Place clamp on pump halves; snug up. Alternately tighten nut and tap clamp with mallet to seat O-ring (see Figure 28).



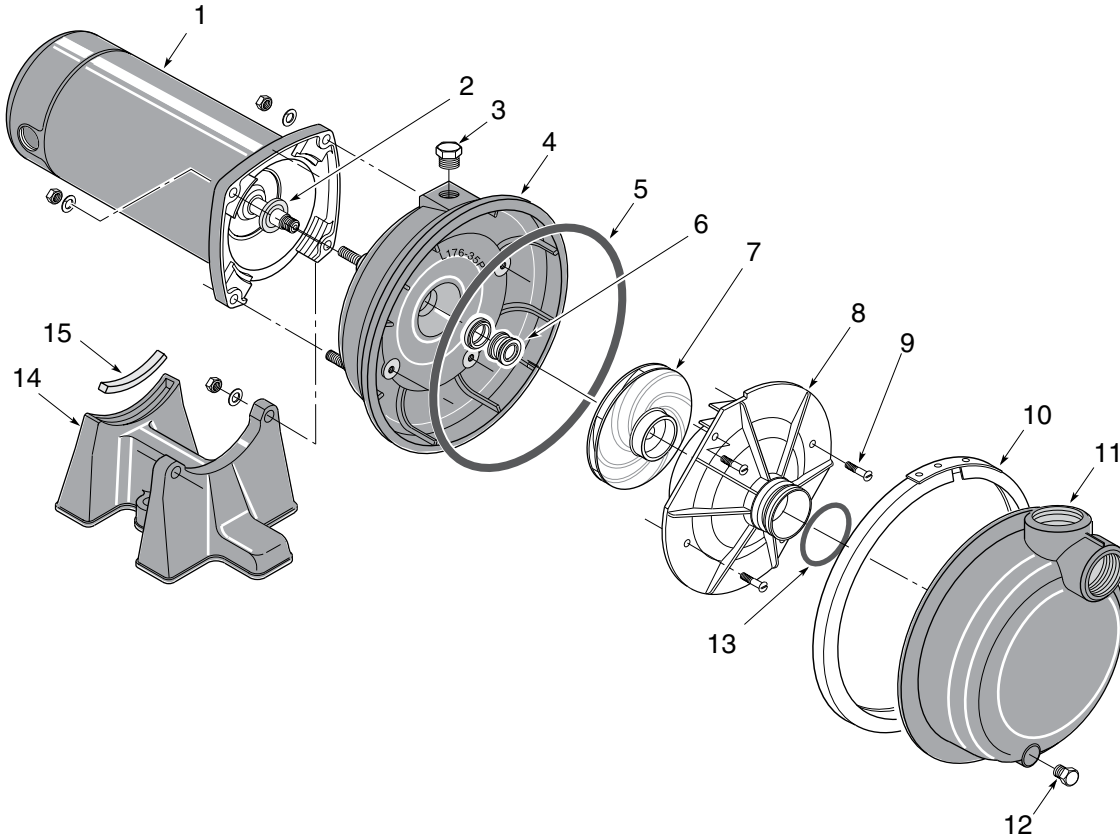
621 0405 MY

Figure 28 – Tap Clamp While Tightening

4. Replace base mounting bolts.
5. Replace pressure switch tubing and motor wiring; close draincock.
6. Prime pump according to instructions. See “Operation.”
7. Check for leaks.

CORROSION RESISTANT CENTRIFUGAL PUMPS

MODELS PQP10 and PQP15



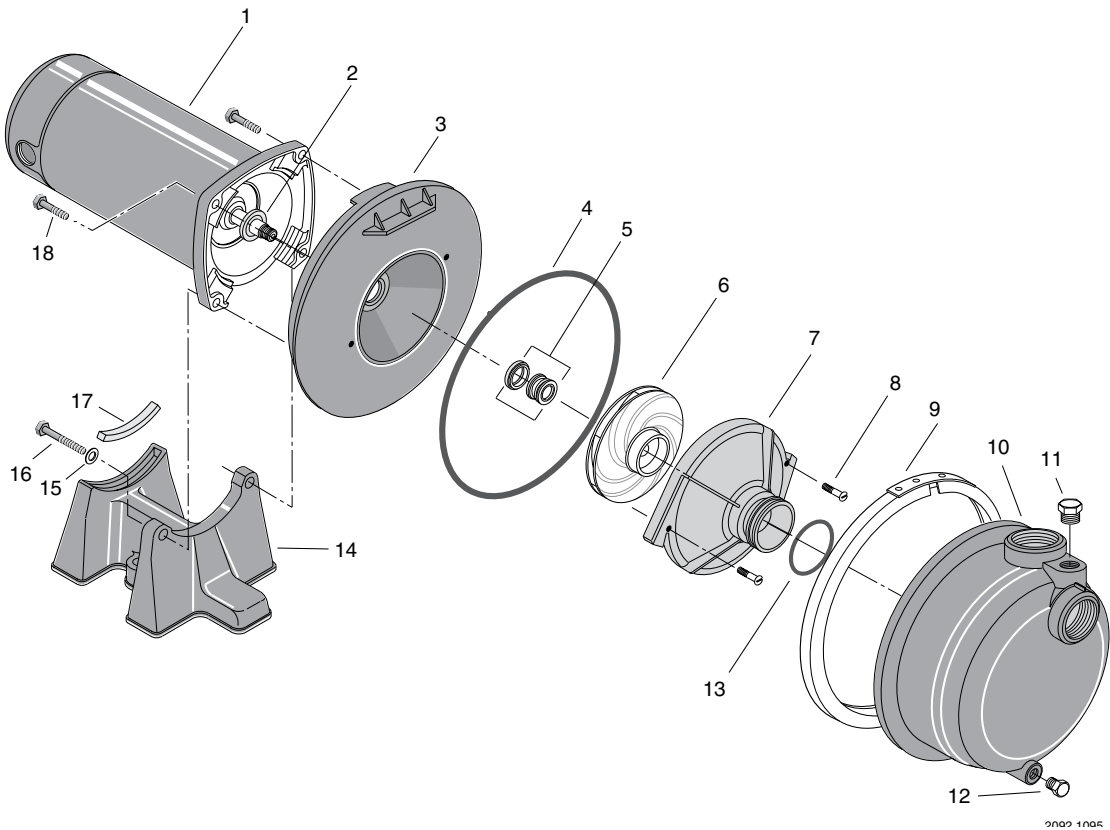
527 0405 MY

Key No.	Part Description	PQP10 115/230V 60 Hz/1 Ph 1 HP	PQP15 115/230V 60 Hz/1 Ph 1-1/2 HP
1	Motor	J218-596PKG	J218-601PKG
2	Slinger	17351-0009	17351-0009
3	Priming Plug	WC78-39T	WC78-39T
4	Tank Body Back Half (Complete)	L176-47P1	L176-47P1
5	O Ring	U9-399	U9-399
6	Shaft Seal for 5/8" Shaft	U109-6A	U109-6A
7	Impeller	C105-92PVB	C105-92PBBB
8	Diffuser	C1-258PCA	C1-258PCA
9	Screw - #8 - 32 RH	U30-997SS	U30-997SS
10	"V" Clamp	C19-54SS	C19-54SS
11	Pump Body Front Half (Complete)	C176-53P	C176-53P
12	Drain Plug - 1/4 NPT	WC78-40T	WC78-40T
13	O Ring	U9-226	U9-226
14	Base	C4-42P	C4-42P
15	Washer - 5/16	U43-11ZP(4)	U43-11ZP(4)
16	Nut - 5/16 - 18	U36-37ZP(4)	U36-37ZP(4)
17	Rubber Pad	C35-11	C35-11

NOTE: Quantity is one unless otherwise noted ().

CORROSION RESISTANT CENTRIFUGAL PUMPS

MODELS PQP20 and PQP25



Key No.	Part Description	PQP20 230V 60 Hz/1 Ph 2 HP	PQP25 230V 60 Hz/1 Ph 2-1/2 HP
1	Motor	J218-883APKG	J218-628APKG
2	Slinger	17351-0009	17351-0009
3	Tank Body Back Half	C3-189P1	C3-189P1
4	O Ring	U9-228A	U9-228A
5	Shaft Seal for 5/8" Shaft	U109-6A	U109-6A
6	Impeller	C105-214PFA	C105-214PGA
•	Impeller screw	C30-51SS	C30-51SS
7	Diffuser	C1-274P	C1-274P
8	Screw - #8 - 32 RH	U30-542SS(2)	U30-542SS(2)
9	"V" Clamp	C19-37A	C19-37A
10	Tank Body Front Half (Complete) (Includes Key Nos. 12 and 13)	C176-62P	C176-62P
11	Priming Plug	WC78-39T	WC78-39T
12	Drain Plug - 1/4 NPT	WC78-40T	WC78-40T
13	O Ring	U9-393	U9-393
14	Base	C4-42P	C4-41P
15	Washer - 5/16	U43-42SS(2)	U43-42SS(2)
16	Capscrew	U30-77SS(2)	U30-104ZP(2)
17	Rubber Pad	C35-11	C35-15
18	Capscrew	U30-74SS(2)	U30-104ZP(2)

• Not illustrated. **NOTE:** Quantity is one unless otherwise noted ().

Troubleshooting Chart

SYMPTOM	POSSIBLE CAUSE(S)	CORRECTIVE ACTION
Motor will not run	Disconnect switch is off Fuse is blown Starting switch is defective Wires at motor are loose, disconnected, or wired incorrectly	Be sure switch is on Replace fuse Replace starting switch Refer to instructions on wiring. Check and tighten all wiring. ⚠ WARNING Capacitor voltage may be hazardous. To discharge capacitor, hold insulated handle screwdriver BY THE HANDLE and short capacitor terminals together. Do not touch metal screwdriver blade or capacitor terminals. If in doubt, consult a qualified electrician.
Motor runs hot and overload kicks off	Motor is wired incorrectly Voltage is too low	Refer to instructions on wiring Check with power company. Install heavier wiring if wire size is too small (See Electrical, Page 6)
Motor runs but no water is delivered *(Note: Check prime before looking for other causes. Unscrew priming plug and see if there is water in priming hole.)	*Pump in new installation did not pick up prime through: 1. Improper priming 2. Air leaks 3. Leaking foot valve *Pump has lost prime through: 1. Air leaks 2. Water level below suction of pump Impeller is plugged Check valve or foot valve is stuck in closed position Pipes are frozen Foot valve and/or strainer are buried in sand or mud	In new installation: 1. Re-prime according to instructions 2. Check all connections on suction line 3. Replace foot valve In installation already in use: 1. Check all connections on suction line and shaft seal 2. Lower suction line into water and re-prime. If receding water level in well exceeds suction lift, a deep well pump is needed Clean impeller; see Maintenance Replace check valve or foot valve Thaw pipes. Bury pipes below frost line. Heat pit or pump house. Raise foot valve and/or strainer above well bottom
Pump does not deliver water to full capacity (Also check point 3 immediately above)	Water level in well is lower than estimated Steel piping (if used) is corroded or limed, causing excess friction Offset piping is too small in size	A deep well jet pump may be needed (over 20 ft. to water) Replace with plastic pipe where possible, otherwise with new steel pipe Use larger offset piping
Pump leaks around clamp	Clamp loose	STOP PUMP, tighten clamp nut 1-2 turns. Alternately tighten and tap on clamp with mallet to seat O-Ring. Do not overtighten

Limited Warranty

F.E. MYERS warrants to the original consumer purchaser ("Purchaser" or "You") of the products listed below, that they will be free from defects in material and workmanship for the Warranty Period shown below.

Product	Warranty Period
Jet pumps, small centrifugal pumps, submersible pumps and related accessories	whichever occurs first: 12 months from date of original installation, or 18 months from date of manufacture
Fibrewound Tanks	5 years from date of original installation
Steel Pressure Tanks	5 years from date of original installation
Sump/Sewage/Effluent Products	12 months from date of original installation, or 24 months from date of manufacture

Our warranty will not apply to any product that, in our sole judgement, has been subject to negligence, misapplication, improper installation, or improper maintenance. Without limiting the foregoing, operating a three phase motor with single phase power through a phase converter will void the warranty. Note also that three phase motors must be protected by three-leg, ambient compensated, extra-quick trip overload relays of the recommended size or the warranty is void.

Your only remedy, and F.E. MYERS's only duty, is that F.E. MYERS repair or replace defective products (at F.E. MYERS's choice). You must pay all labor and shipping charges associated with this warranty and must request warranty service through the installing dealer as soon as a problem is discovered. No request for service will be accepted if received after the Warranty Period has expired. This warranty is not transferable.

F.E. MYERS SHALL NOT BE LIABLE FOR ANY CONSEQUENTIAL, INCIDENTAL, OR CONTINGENT DAMAGES WHATSOEVER.

THE FOREGOING LIMITED WARRANTIES ARE EXCLUSIVE AND IN LIEU OF ALL OTHER EXPRESS AND IMPLIED WARRANTIES, INCLUDING BUT NOT LIMITED TO IMPLIED WARRANTIES OF MERCHANTABILITY AND FITNESS FOR A PARTICULAR PURPOSE. THE FOREGOING LIMITED WARRANTIES SHALL NOT EXTEND BEYOND THE DURATION PROVIDED HEREIN.

Some states do not allow the exclusion or limitation of incidental or consequential damages or limitations on the duration of an implied warranty, so the above limitations or exclusions may not apply to You. This warranty gives You specific legal rights and You may also have other rights which vary from state to state.

This Limited Warranty is effective June 1, 2011 and replaces all undated warranties and warranties dated before June 1, 2011.

F.E. MYERS

293 Wright Street, Delavan, WI 53115

Phone: 888-987-8677 • Fax: 800-426-9446 • www.femyers.com

In Canada: P. O. Box 9138, 269 Trillium Dr., Kitchener, Ontario N2G 4W5

Phone: 519-748-5470 • Fax: 888-606-5484



⚠ DANGER

⚠ AVERTISSEMENT

⚠ ATTENTION

CONSIGNES DE SÉCURITÉ ÉLECTRIQUES

⚠ AVERTISSEMENT



**Tension dangereuse.
Risque de secousses
électriques, de brûlures,
voire mortelles.**
Mettre la pompe à la terre
avant de la brancher sur le
courant électrique.

⚠ Câbler le moteur en fonction de la bonne tension. Se reporter à la rubrique « Électricité » de cette Notice et à la plaque signalétique du moteur.

⚠ Mettre le moteur à la terre avant de le brancher sur le courant électrique.

⚠ Pour procéder aux câblages, se conformer au Code canadien de l'électricité, au National Electrical Code et aux codes de la municipalité.

⚠ Pour brancher le moteur sur une installation électrique, respecter les

instructions de câblage figurant dans cette Notice.

Empêcher les enfants d'accéder à l'atelier en posant des cadenas, un interrupteur général et en déposant la clé des démarreurs.

⚠ ATTENTION Ne pas toucher à un moteur qui fonctionne.

Les moteurs modernes sont conçus pour fonctionner par des températures élevées. Pour ne pas se brûler si on doit intervenir sur la pompe, et avant de la toucher, la laisser refroidir pendant 20 minutes après l'avoir arrêtée.

LIRE ET OBSERVER TOUTES CES CONSIGNES DE SÉCURITÉ!

Ce symbole indique qu'il faut être prudent. Lorsque ce symbole apparaît sur la pompe ou dans cette notice, rechercher une des mises en garde qui suivent, car elles indiquent un potentiel possible de blessures corporelles.

DANGER avertit d'un danger qui **causera** des blessures corporelles, la mort ou des dommages matériels importants si on l'ignore.

AVERTISSEMENT avertit d'un danger qui **risque** de causer des blessures corporelles, la mort ou des dommages matériels important si on l'ignore.

ATTENTION avertit d'un danger qui **causera** ou qui risquera de causer des blessures corporelles, la mort ou des dommages matériels importants si on l'ignore.

Le mot **REMARQUE** indique des instructions spéciales et importantes n'ayant aucun rapport avec les dangers.

Lire et observer attentivement toutes les consignes de sécurité contenues dans cette Notice et collées sur la pompe.

Garder les autocollants de sécurité en bon état. Remplacer ceux manquants ou endommagés.

CONSIGNES DE SÉCURITÉ GÉNÉRALES

	⚠ AVERTISSEMENT
	Pression dangereuse! Ne pas faire fonctionner la pompe si le refoulement est fermé. Dissiper toute la pression du système avant d'intervenir sur un de ses composants.

Cette pompe est conçue pour alimenter un système d'arrosage de pelouse. Pour éviter toute accumulation de chaleur, risque de surpression et des blessures possibles, ne pas utiliser cette pompe sur un système à réservoir sous pression (eau domestique). Ne pas l'utiliser non plus en tant que pompe de surpression; l'aspiration sous pression peut causer l'explosion du corps de la pompe.

Ne pas laisser geler la pompe ni les tuyauteries. Le gel risque d'endommager la pompe et les tuyauteries, ce qui pourrait causer des blessures. De plus, cette pratique annulera la garantie.

Ne pomper que de l'eau avec cette pompe.

Inspecter périodiquement la pompe et les composants du système.

Toujours porter des lunettes de sécurité pour intervenir sur une pompe.

Garder la zone de travail propre, non encombrée et bien éclairée. Ranger adéquatement tous les outils et tout l'équipement si on ne les utilise pas.

Ne laisser personne s'approcher de la zone de travail.

Avertissement lié à la Proposition 65 de la Californie

⚠ AVERTISSEMENT Ce produit et les accessoires connexes contiennent des produits chimiques reconnus dans l'État de la Californie comme pouvant provoquer des cancers, des anomalies congénitales ou d'autres dangers relatifs à la reproduction.

Avant d'installer la pompe

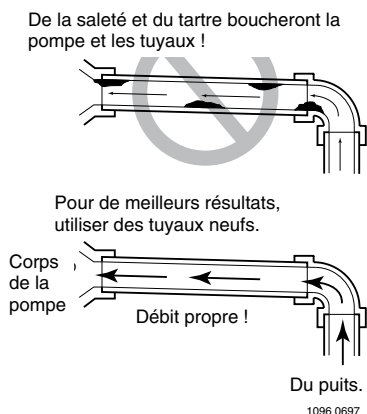


Figure 1 – Pas de saleté ni de tartre dans le tuyau d'aspiration

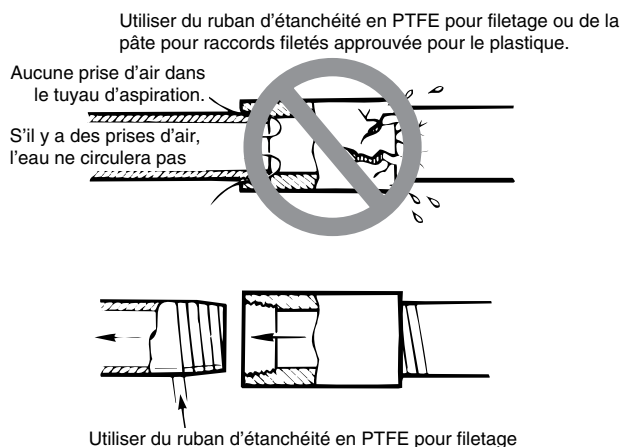


Figure 4 – Il ne doit pas y avoir de prise d'air dans le tuyau d'aspiration

REMARQUE : Dans le puits, le niveau supérieur jusqu'à l'eau ne doit pas chuter sous 6 mètres (20 pieds).

1. De grandes longueurs de tuyaux et de nombreux raccords augmentent le frottement et réduisent le débit. Positionner la pompe aussi près que possible du puits. Dans la mesure du possible, utiliser le moins possible de coudes et de raccords.

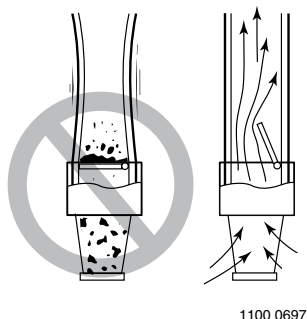


Figure 2 – Le clapet de pied doit fonctionner librement

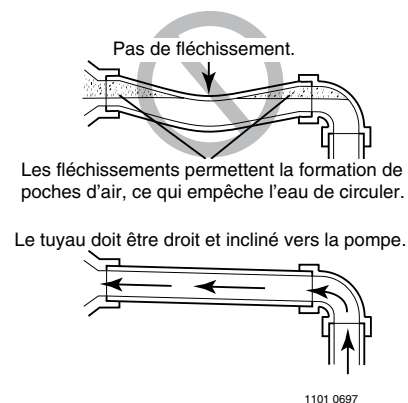


Figure 3 – Pas de poches d'air dans le tuyau d'aspiration

2. S'assurer que le puits ne contient pas de sable. Le sable bouchera la pompe et, dans ce cas, la garantie sera annulée.
3. Protéger la pompe et les tuyauteries contre le gel. Le gel fera éclater les tuyauteries, endommagera la pompe, et la garantie sera annulée. Vérifier les conditions locales requises pour protéger contre le gel (habituellement, les tuyaux doivent être enterrés 12 pouces (30 cm) plus profond que la profondeur maximum de gélivation et la pompe doit être isolée).
4. S'assurer que toutes les tuyauteries et que le clapet de pied sont propres et en bon état.
5. Il ne doit y avoir aucune poche d'air dans le tuyau d'aspiration.
6. Il ne doit y avoir aucune prise d'air dans le tuyau d'aspiration. Rendre étanches les joints du tuyau d'aspiration avec du ruban d'étanchéité en PTFE pour filetage.
7. Des raccords unions installés près de la pompe et du puits faciliteront l'entretien. Prévoir suffisamment d'espace pour pouvoir utiliser des clés à tuyau.
8. **⚠ Avertissement** Le corps de la pompe pourrait exploser si celle-ci était utilisée comme pompe de surpression.

**TABLEAU DES DÉBITS (gallons par minute)
Hauteurs de refoulement**

Pression de refoulement en lb/po ²	PQP10				PQP15				PQP20				PQP25			
	Distances au-dessus de l'eau															
	1,5 m	3 m	4,6 m	6,1 m	1,5 m	3 m	4,6 m	6,1 m	1,5 m	3 m	4,6 m	6,1 m	1,5 m	3 m	4,6 m	6,1 m
	Débit en gallons par minute															
10	208	185	182	170	254	231	212	174	261	254	246	235	348	314	307	295
15	193	174	170	167	250	220	208	170	246	238	227	220	326	299	295	288
20	170	159	148	140	231	212	204	167	223	212	204	197	303	288	284	280
25	143	132	121	110	208	197	193	163	197	189	182	170	276	269	265	261
30	117	106	91	76	182	170	167	144	178	170	159	151	250	250	246	242
35	87	72	61	42	148	140	129	106	159	144	132	121	227	227	223	220
40	64	49	30		125	102	76	42	129	114	102	87	208	204	201	197
45					68	53	30		95	64	38		178	174	174	170
50									53	26			151	144	140	136

Les modèles PQP10 et PQP15 ont un refoulement de 1 1/2 pouce NPT et une aspiration de 2 pouces NPT.

Les modèles PQP20 et PQP25 ont un refoulement et une aspiration de 2 pouces NPT.

Installation du tuyau de puits

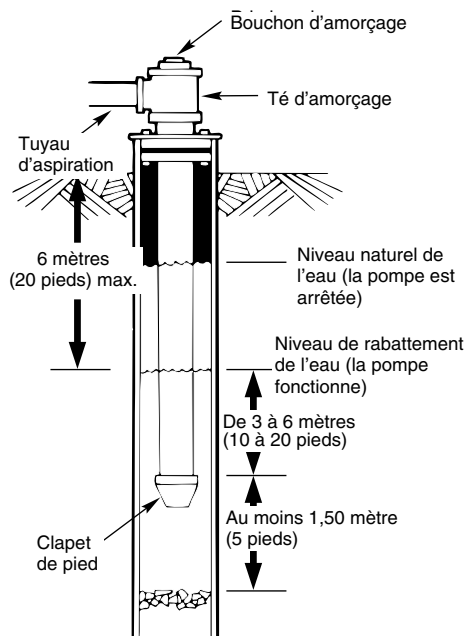


Figure 5 – Installation sur un puits tubé ou creusé

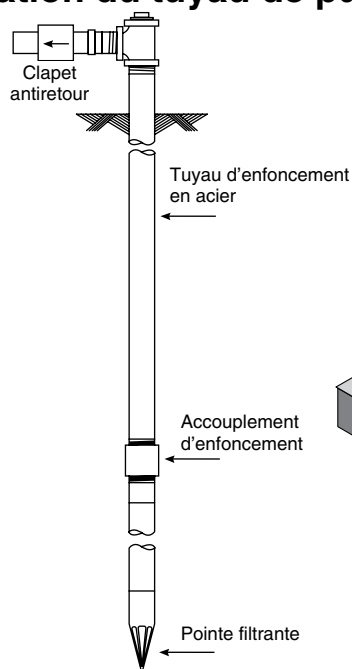


Figure 6 – Installation sur une pointe filtrante

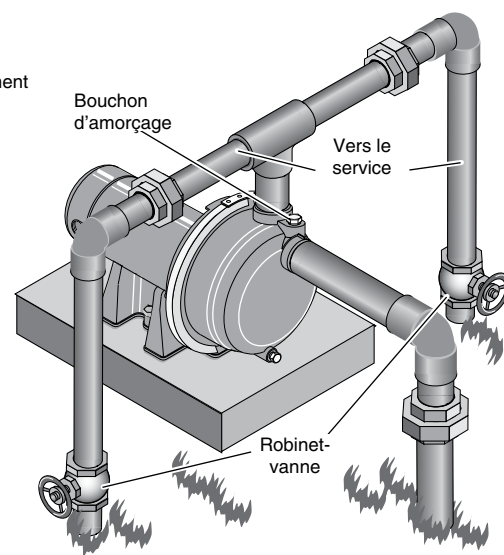


Figure 7 – Refoulements multiples

REMARQUE : En fonction du type de puits, utiliser une des méthodes d'installation suivantes :

INSTALLATION SUR UN PUIT TUBÉ

1. Inspecter le clapet de pied pour s'assurer qu'il fonctionne librement. Inspecter la crépine pour s'assurer qu'elle est propre.
2. Brancher le clapet de pied et la crépine sur la première longueur de tuyau d'aspiration, puis abaisser le tuyau dans le puits. Ajouter des longueurs de tuyau selon le besoin, en utilisant du ruban d'étanchéité en PTFE pour filetage sur tous les filets mâles. S'assurer qu'aucune des sections du tuyau d'aspiration n'aspire de l'air, sinon la pompe se désamorçera et tombera en panne. Installer le clapet de pied entre 3 à 6 mètres (10 et 20 pieds) sous le niveau le plus bas où chutera l'eau pendant que la pompe fonctionnera (niveau d'eau pendant le pompage). Le foreur du puits pourra fournir cette information.
3. Pour que le sable et les sédiments ne pénètrent pas dans le système de pompage, le clapet de pied et la crépine doivent être à au moins 1,50 mètre (5 pieds) du fond du puits.
4. Lorsque la bonne profondeur sera atteinte, poser un joint de puits sanitaire sur le tuyau et le tubage du puits. Serrer tous les boulons de fixation de façon à rendre le tubage bien étanche.
5. Si on utilise un clapet de pied, il est recommandé de poser un té et un bouchon d'amorçage, comme il est illustré à la Figure 5.

INSTALLATION SUR UN PUIT CREUSÉ

Suivre les mêmes instructions que pour un puits tubé.

INSTALLATION SUR UNE POINTE FILTRANTE

1. Raccorder le tuyau d'aspiration sur la pointe filtrante, comme il est illustré à la Figure 6. Garder le tuyau horizontal aussi court que possible. Utiliser du ruban d'étanchéité en PTFE pour filetage sur tous les filets mâles. Il faudra peut-être utiliser plusieurs pointes filtrantes pour que la pompe soit suffisamment alimentée en eau.
2. Installer un clapet antiretour sur le tuyau horizontal. La flèche du clapet doit être orientée vers la pompe.

TUYAU HORIZONTAL ENTRE LE PUIT ET LA POMPE

1. Ne jamais utiliser un tuyau d'aspiration dont le diamètre est plus petit que celui de l'orifice d'aspiration de la pompe.
2. Dans le cas d'une pointe filtrante, et pour faciliter l'amorçage de la pompe, poser un clapet antiretour en ligne, comme il est illustré à la Figure 6. S'assurer que la flèche du clapet est orientée vers la pompe.

DIAMÈTRE DES TUYAUX DE REFOULEMENT

1. Si on augmente le diamètre du ou des tuyaux de refoulement, poser un réducteur dans l'orifice de refoulement de la pompe. Ne pas augmenter le diamètre du ou des tuyaux par sections progressives.
2. Si la pompe est installée loin des points d'utilisation de l'eau, le diamètre du ou des tuyaux de refoulement devra être augmenté de façon à réduire les pertes de pression causées par le frottement.
 - Jusqu'à une longueur de 30 mètres (100 pieds) : Même diamètre que l'orifice de refoulement de la pompe.
 - De 30 à 90 mètres (de 100 à 300 pieds) : Le diamètre du tuyau de refoulement devra être immédiatement supérieur à celui de l'orifice de refoulement de la pompe.
 - De 90 à 180 mètres (300 à 600 pieds) : Le diamètre du tuyau de refoulement devra être de deux diamètres immédiatement supérieurs à celui de l'orifice de refoulement de la pompe.

UTILISATION DE LA POMPE SUR UN SYSTÈME D'ARRASAGE DE PELOUSE

Cette pompe, qui est conçue pour être utilisée sur un système d'arrosage de pelouse, peut pomper l'eau d'un étang, d'une citerne ou de pointes filtrantes. Elle débitera suffisamment d'eau à la pression maximale du système d'arrosage.

Le refoulement de la pompe peut être séparé de façon à alimenter deux (2) systèmes d'arrosage ou plus. Le branchement suggéré de tuyaux de refoulement multiples est illustré à la Figure 7.

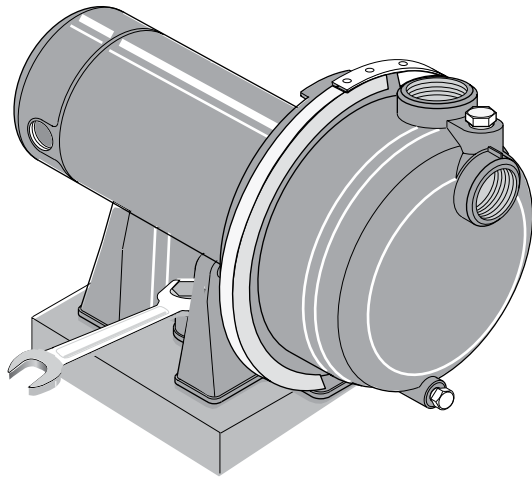
Ne pas utiliser cette pompe sur un réservoir sous pression ou en tant que pompe de surpression.

Installation de la pompe et des tuyauteries

INSTALLATION DE LA POMPE

REMARQUE : Effectuer tous les raccordements filetés à la pompe seulement avec du ruban d'étanchéité en PTFE pour filetage. Ne pas utiliser de pâte pour raccords filetés sur une pompe en plastique : **Cette pâte risque de réagir avec le plastique composant la pompe.** S'assurer que tous les raccords du tuyau d'aspiration sont étanches à l'eau de même qu'à l'air. *Si le tuyau d'aspiration aspire de l'air, la pompe n'aspire pas l'eau du puits.*

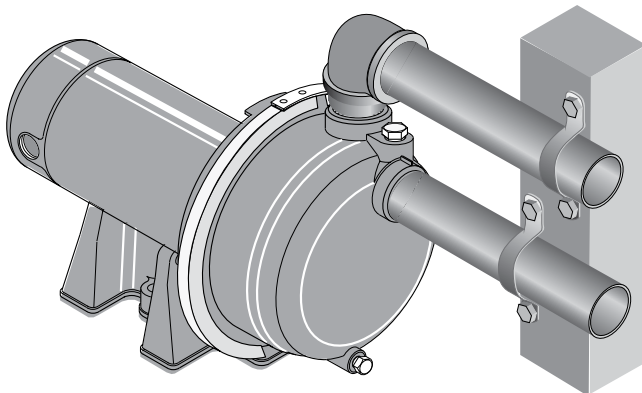
1. Boulonner la pompe sur une fondation solide et de niveau.



532 0405

Figure 8 – Boulonner la pompe

2. Supporter toutes les tuyauteries branchées sur la pompe.

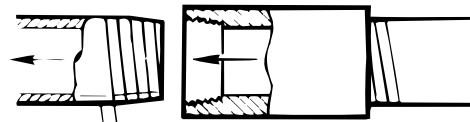
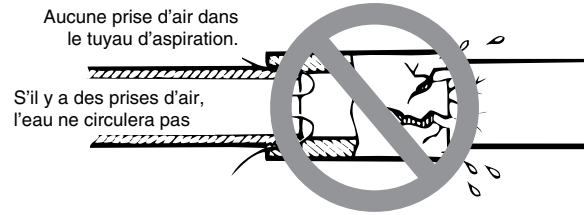


530 0405

Figure 9 – Supporter indépendamment toutes les tuyauteries branchées sur la pompe

3. Enrouler, en tournant à droite (en faisant face au bout du tuyau), entre 1 1/2 à 2 tours du ruban d'étanchéité en PTFE pour filetage, tous les filets mâles des tuyaux à brancher sur la pompe.

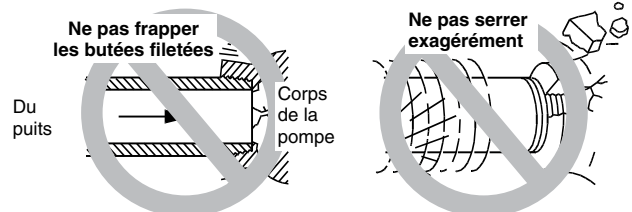
Utiliser du ruban d'étanchéité en PTFE pour filetage ou de la pâte pour raccords filetés approuvée pour le plastique.



Utiliser du ruban d'étanchéité en PTFE pour filetage.

Figure 10 – Utiliser du ruban d'étanchéité en PTFE pour filetage sur tous les raccords des tuyaux et sur tous les raccords effectués sur la pompe

4. Serrer à la main tous les raccords, puis de 1 1/2 tour de plus. **Ne pas les serrer exagérément.**



Serrer à la main, puis 1 1/2 tour de plus avec une clé à tuyau.

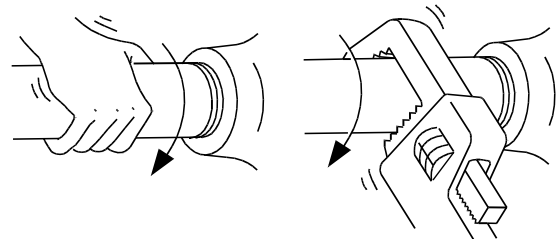


Figure 11 – Ne pas serrer exagérément

REMARQUE : Installer la pompe aussi près que possible de la tête du puits. Les grandes longueurs de tuyaux et de nombreux raccords causent des frottements qui réduisent le débit.

REMARQUE : Si on doit utiliser une grande longueur de tuyau horizontal, poser un té d'amorçage entre le clapet antiretour et la tête du puits, comme il est illustré à la Figure 6. Si l'installation est faite sur des pointes filtrantes, poser un clapet antiretour comme il est illustré à la Figure 6. S'assurer que la flèche indiquant le sens de circulation de l'eau et frappée sur le clapet antiretour est orientée vers la pompe.

Utiliser des tuyaux en fer ou de norme 80. Pour de plus amples renseignements, se reporter à « Installation de la tuyauterie du puits ».

Électricité

LE MOTEUR EST EXPÉDIÉ RÉGLÉ SUR LE COURANT DE 230 VOLTS.

Pour le faire fonctionner sur le courant de 115 volts :

1. Couper le courant
2. Déposer le couvercle arrière du moteur.
3. À l'aide d'un tournevis ou d'une clé de 1/2 pouce, tourner le sélecteur de tension à gauche jusqu'à ce que « 115 » apparaisse dans la fenêtre du cadran.
4. Reposer le couvercle du moteur.



Figure 12 – Pour modifier le réglage de la tension



Figure 13 – Moteur réglé pour fonctionner sur le courant de 115 volts

⚠ AVERTISSEMENT **Tension dangereuse.** Risque de secousses électriques, de brûlures, voire de mort. Couper le courant alimentant le moteur avant d'intervenir sur le moteur ou la pompe. Toujours mettre le moteur à la terre avant de le brancher sur le courant.

CÂBLAGE

⚠ Mettre le moteur à la terre avant de le brancher sur le courant. Ne pas mettre le moteur à la terre risque de causer des secousses électriques graves, voire mortelles.

⚠ Ne pas mettre à la terre sur une conduite d'alimentation en gaz.

⚠ Pour éviter des secousses électriques dangereuses, voire mortelles, COUPER le courant alimentant le moteur avant d'intervenir sur les connexions électriques.

⚠ La tension d'alimentation doit correspondre à $\pm 10\%$ de la tension indiquée sur la plaque signalétique. Une mauvaise tension risque de causer un incendie ou d'endommager le moteur, ce qui annulera la garantie. Si on n'est pas sûr comment procéder, s'adresser à un électricien qualifié.

⚠ Utiliser des fils dont le calibre (diamètre) correspond à ceux spécifiés sous Tableau de câblage (page 7). Dans la mesure du possible, brancher la pompe sur un circuit séparé sur lequel aucun autre appareil électrique ne sera branché.

⚠ Câbler le moteur conformément au schéma de la plaque signalétique du moteur. Si le schéma de la plaque signalétique du moteur diffère de ceux ci-contre, suivre celui de la plaque signalétique du moteur.

1. Installer, mettre à la terre, câbler et entretenir la pompe conformément au Code canadien de l'électricité, au National Electrical Code (selon le cas) et à ceux de la municipalité en vigueur. Pour de plus amples renseignements au sujet de ces codes, s'adresser à l'inspecteur des bâtiments de la municipalité.
2. Prévoir un sectionneur adéquatement protégé par un fusible pour se protéger si on devait intervenir sur le moteur. Pour toutes les conditions et caractéristiques du sectionneur, consulter le Code canadien de l'électricité, le National Electrical Code (selon le cas) ou les codes de la municipalité.
3. Couper le courant avant d'intervenir sur le moteur ou sur la pompe. Si le sectionneur n'est pas visible de la pompe, le verrouiller et l'étiqueter pour empêcher qu'une personne rétablisse le courant par mégarde.
4. Mettre la pompe en permanence à la terre avec un fil du même diamètre que ceux spécifiés sous Tableau de câblage (page 7). Brancher le fil de mise à la terre sur la borne de mise à la terre verte qui se trouve sous le carter du moteur et repérée GRD. ou ⏏ .

Électricité

5. Brancher le fil de mise à la terre sur un fil mis à la terre, sur un tuyau d'eau métallique enterré ou sur le tubage métallique d'un puits dont la longueur sera d'au moins 3 mètres (10 pieds). Ne pas brancher ce fil sur un tuyau en plastique ou des raccords isolés.
6. Protéger les conducteurs électriques et de mise à la terre contre les coupures, la graisse, la chaleur et les produits chimiques.
7. Brancher les conducteurs électriques sur les bornes L1 et L2 qui se trouvent sous le carter du moteur. Si le moteur doit être remplacé, comparer le schéma de câblage de la plaque signalétique du moteur avec ceux des Figures 12 et 13. Si le schéma de câblage du moteur ne correspond pas à un des schémas de câblage des Figures 12 et 13, utiliser le schéma indiqué sur le moteur.

IMPORTANT : Les moteurs monophasés fonctionnant sur le courant 115/230 volts sont expédiés de l'usine pour fonctionner sur le 230 volts. Si le courant d'alimentation est de 115 volts, déposer le carter du moteur, puis modifier le câblage du moteur comme il est illustré aux Figures 12 et 13. Ne pas essayer de faire fonctionner le moteur tel qu'il a été reçu sur le courant de 115 volts.

8. Le moteur est protégé par un interrupteur automatique interne de surcharge. Si le moteur s'arrête pour une cause inconnue, cet interrupteur peut redémarrer le moteur sans avertissement, ce qui risque de causer des blessures ou des dommages matériels. Avant d'intervenir sur un moteur, toujours couper le courant.
9. Si cette méthode ou si les schémas de câblage portent à confusion, s'adresser à un électricien qualifié.

TABLEAU DE CÂBLAGE (Calibre (diamètre) des fils et fusibles recommandés)

Modèles de pompe	Puissance des moteurs en ch		Charge maximale en ampères	Intensités* en ampères des fusibles* de dérivation	DISTANCE EN PIEDS (MÈTRES) ENTRE LE MOTOR ET LE COMPTEUR ÉLECTRIQUE					
					0 - 50	51 - 100	101 - 200	201 - 300	301 - 400	401 - 500
	CALIBRE AWG/DIAMÈTRE (en mm ²) DES FILS									
PQP10	1	115/230	14,8/7,4	20/15	12/14	12/14	8/14	6/14	6/12	4/10
PQP15	1-1/2	115/230	19,2/9,6	25/15	10/14	10/14	8/14	6/12	4/10	4/10
PQP20	2	115/230	24,0/12,0	30/15	10/14	10/14	8/14	6/12	4/10	4/10
PQP25	2-1/2	115/230	26,0/13,0	30/15	10/14	10/14	8/14	6/12	4/10	4/10

(*) Il est recommandé d'utiliser des fusibles ou des disjoncteurs temporisés sur le circuit d'un moteur.

Fonctionnement

AMORÇAGE DE LA POMPE

REMARQUE : Le terme « Amorçage » signifie que la pompe chasse tout l'air du système et qu'elle aspire l'eau de la source pour l'envoyer dans le système. Ce terme ne signifie pas qu'il suffit tout simplement de verser de l'eau dans la pompe (bien que cette opération soit la première à effectuer).

REMARQUE : **NE JAMAIS faire fonctionner la pompe à sec**, sinon ses joints seront endommager et l'impulseur et le diffuseur risquent de fondre. Pour ne pas endommager la pompe, **toujours la remplir d'eau avant de la démarrer**.

1. Déposer le bouchon d'amorçage (Figure 14).

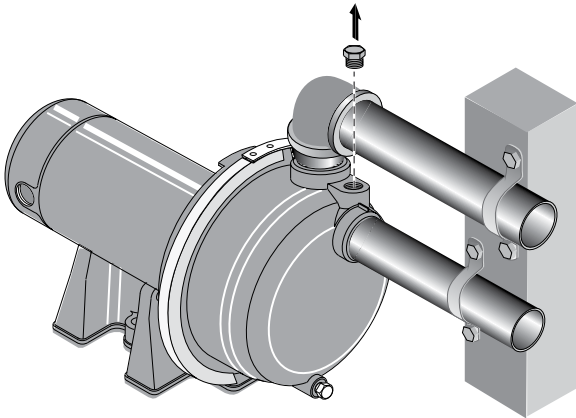


Figure 14 – Déposer le bouchon d'amorçage

2. S'assurer que les robinets des tuyaux d'aspiration et de refoulement, ainsi que tous les tuyaux souples branchés sur le refoulement de la pompe, sont ouverts.
3. Remplir d'eau la pompe et le tuyau d'aspiration.
4. Reposer le bouchon d'amorçage en enveloppant ses filets du ruban d'étanchéité en PTFE pour filetage. Serrer le bouchon.

REMARQUE : Si, dans le cas d'une grande longueur horizontale, un té et un bouchon d'amorçage ont été prévus, s'assurer de remplir le tuyau d'aspiration par ce té et de reposer le bouchon. (Toujours utiliser du ruban d'étanchéité en PTFE pour filetage sur les filets du bouchon.)

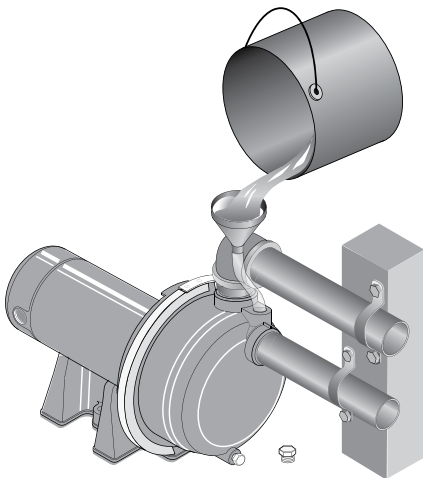


Figure 15 - Remplir la pompe d'eau avant de la démarrer

5. Démarrer la pompe. L'eau doit être refoulée dans un maximum de 10 minutes. Cette durée dépend de la profondeur jusqu'à l'eau (laquelle ne doit pas dépasser 6

mètres [20 pieds]) et de la longueur du tuyau horizontal (tuyau d'aspiration horizontal de 3 mètres (10 pieds) = 25 cm (1 pied) de hauteur de refoulement verticale à cause de la perte de pression causée par le frottement dans les tuyaux).

Si l'eau n'est pas refoulée dans les 10 minutes, arrêter la pompe, dissiper toute la pression, déposer le bouchon d'amorçage, refaire le plein de la pompe et du tuyau d'aspiration, puis essayer de nouveau.

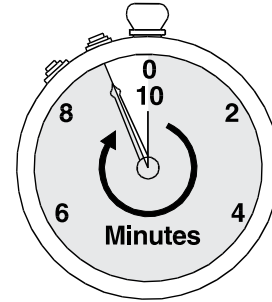


Figure 16 – Laisser fonctionner la pompe pendant dix minutes maximum

⚠ AVERTISSEMENT Pression dangereuse. Risque d'explosion et d'être ébouillanté. Si la pompe fonctionne continuellement et qu'elle ne débite pas (c'est-à-dire si le refoulement est fermé ou si elle n'a pas été amorcée), l'eau risque de bouillir dans son corps et dans les tuyaux. Sous la pression de la vapeur, les tuyaux risquent d'éclater, de se détacher des raccords ou d'exploser des orifices de la pompe et d'ébouillanter toute personne se trouvant à proximité.

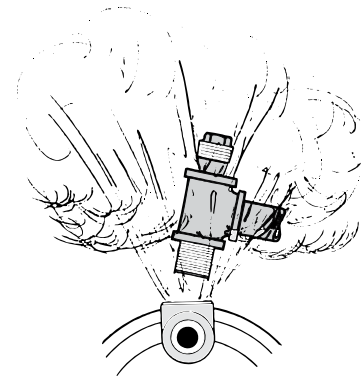


Figure 17 – Ne pas faire fonctionner la pompe si le refoulement est fermé.

Pour empêcher une explosion, procéder comme suit :

- A. Chaque fois que la pompe fonctionne, s'assurer que le refoulement (les robinets, la lance du tuyau souple, etc.) est ouvert.
- B. Si la pompe ne débite pas d'eau, dissiper toute la pression, vider la pompe, puis en refaire le plein avec de l'eau froide après deux essais.
- C. Pendant l'amorçage, surveiller la température de la pompe et des tuyauteries. Si la pompe ou les tuyauteries deviennent chaudes au toucher, arrêter la pompe et laisser refroidir le système. Dissiper toute la pression du système, puis refaire le plein de la pompe et des tuyaux avec de l'eau froide.

Entretien

ENTRETIEN

Il n'est pas nécessaire de débrancher la pompe ni les tuyaux pour réparer ou remplacer le moteur ou son joint. (Figure 19). Si le moteur doit être remplacé, remplacer également le joint de son arbre. Toujours garder un joint de rechange d'avance.

Ne pas oublier d'amorcer la pompe avant de la démarrer.

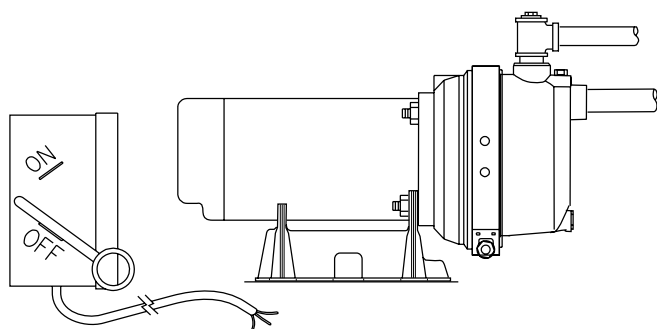
REMARQUE : Se reporter à l'étiquette collée sur le moteur pour connaître les instructions de lubrification. Le joint mécanique de l'arbre de la pompe est lubrifié par l'eau. Son réglage est automatique.

REMARQUE : Vider la pompe si on doit la débrancher du service ou si elle risque de geler.

DÉMONTAGE DE LA POMPE

1. Couper le courant alimentant le moteur.

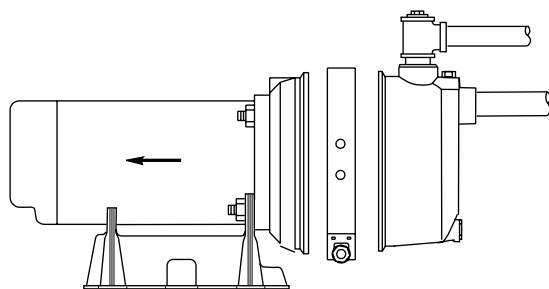
REMARQUE : Repérer tous les fils pour les rebrancher comme il faut.



548 0405

Figure 18 – Couper le courant

2. Déposer le collier. (Figure 19)
3. Déposer les boulons de fixation du socle de la pompe. Le moteur et la moitié arrière de la pompe peuvent maintenant être séparés de la moitié avant. (Figure 19). Déposer PRUDEMMENT le joint torique.



542 0405

Figure 19 – Glisser le moteur vers l'arrière

NETTOYAGE ET REMPLACEMENT DE L'IMPULSEUR

REMARQUE : Suivre tout d'abord les instructions figurant sous « Démontage de la pompe ».

1. Déposer les quatre (4) vis de fixation du diffuseur sur la plaque d'étanchéité, puis déposer le diffuseur. (Figure 20). L'impulseur exposé peut maintenant être nettoyé.

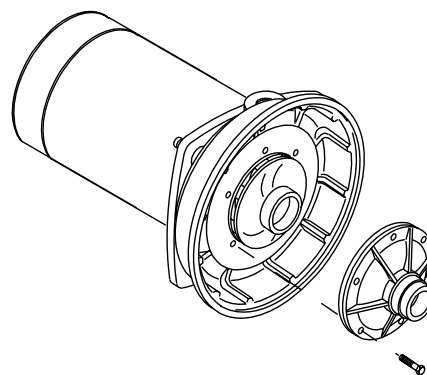
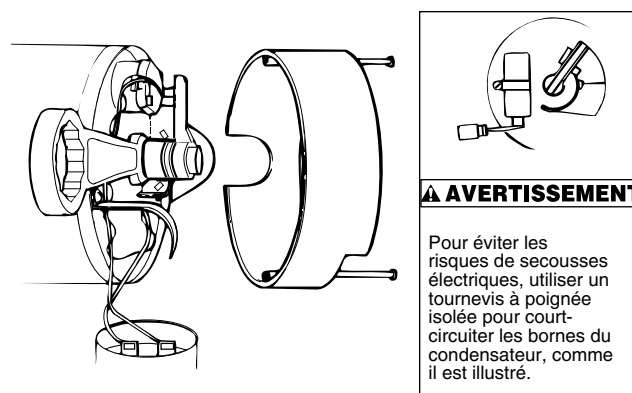


Figure 20 – Dépose du diffuseur

2. Si l'impulseur doit être remplacé, desserrer les deux vis à métaux, puis déposer le carter du moteur. (Figure 21).



⚠ AVERTISSEMENT

Pour éviter les risques de secousses électriques, utiliser un tournevis à poignée isolée pour court-circuiter les bornes du condensateur, comme il est illustré.

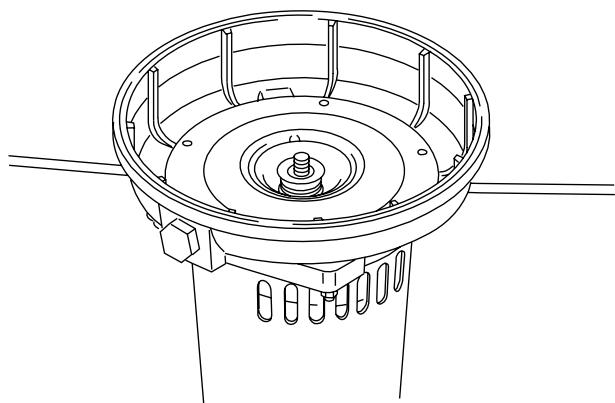
Figure 21 – Immobilisation de l'arbre

3. **⚠ AVERTISSEMENT** La tension du condensateur peut être dangereuse. Pour décharger le condensateur, tenir un tournevis à poignée isolée **PAR LE MANCHE**, puis court-circuiter les bornes du condensateur (Figure 21). Ne pas toucher la lame métallique du tournevis ni les bornes du condensateur. En cas de doute, s'adresser à un électricien qualifié.
4. Dévisser le collier du condensateur, puis déposer le condensateur. Ne pas débrancher les fils du condensateur branchés sur le moteur.
5. Glisser une clé à fourche de 7/16 de pouce derrière le contacteur à ressort côté moteur de l'arbre; immobiliser l'arbre du moteur avec la clé posée sur les méplats de l'arbre, puis dévisser l'impulseur en le tournant à gauche en faisant surface à l'œil de l'impulseur.
6. Pour la repose, procéder à l'inverse des opérations 1. à 5.
7. Se reporter à « Remontage de la pompe », page 11.

Entretien – (Suite)

DÉPOSE DE L'ANCIEN JOINT

1. Suivre les instructions sous « Démontage de la pompe ».
2. Suivre les opérations 2. à 5. sous « Nettoyage et remplacement de l'impulseur ».
3. Dévisser les quatre écrous de fixation de la moitié arrière de la pompe sur le moteur. Déposer la moitié rotative du joint à l'aide de deux tournevis placés sous la moitié arrière du corps de la pompe en forçant **prudemment** (Figure 22). La moitié arrière du corps de la pompe sortira de l'arbre, ainsi que le joint.

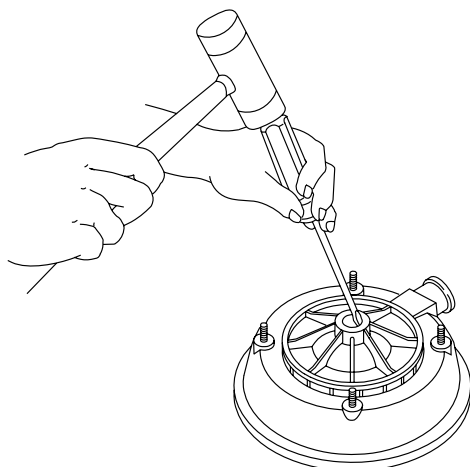


754 0993

Figure 22 – Dépose de la plaque d'étanchéité

REMARQUE : Faire bien attention de ne pas rayer ni de faire de marque sur l'arbre. Si l'arbre est rayé, il devra être poli avec de la toile émeri ou du papier abrasif fin avant de poser le joint neuf. **NE PAS** réduire le diamètre de l'arbre!

4. Mettre la moitié du corps de la pompe sur une surface plane en l'orientant vers le bas, puis chasser la moitié fixe du joint (Figure 23).

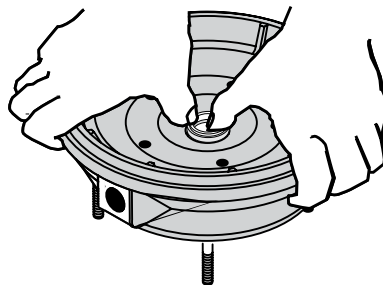


755 0993

Figure 23 – Pour chasser le joint

POSE DU JOINT NEUF

1. Nettoyer la cavité de la plaque d'étanchéité.
2. Enduire d'un peu de savon liquide le bord extérieur de la coupelle en caoutchouc du siège en céramique. N'utiliser que très peu de savon liquide!
3. Poser une rondelle en carton propre sur le joint. Avec la pression des pouces, pousser fermement et d'équerre la moitié du joint en céramique dans sa cavité (Figure 24). La face polie du siège en céramique doit être orientée vers le haut. Si le joint ne repose pas adéquatement, le déposer, et le poser sur un établi en orientant sa **face vers le haut**. Nettoyer la cavité de nouveau. Le joint doit maintenant reposer adéquatement.



477 0194

Figure 24 – Pousser le joint neuf en place.

4. Si le joint ne repose toujours pas correctement après avoir nettoyé de nouveau la cavité, mettre une rondelle en carton sur la surface polie du joint puis, **prudemment**, pousser le joint en place avec un morceau de tuyau rigide de 2 de pouce qui servira de presse.

REMARQUE : Faire bien attention de ne pas rayer la surface du joint.

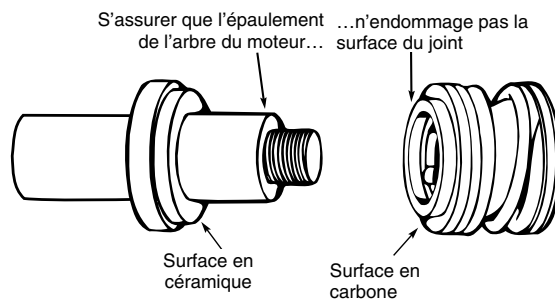


Figure 25 – Protéger les surfaces du joint

5. Jeter la rondelle en carton, puis revérifier la surface du joint pour s'assurer qu'elle ne comporte pas de saleté, de corps étrangers, de rayures ni de graisse.
6. Inspecter l'arbre pour s'assurer qu'il n'est pas éraflé ni rayé.
7. Remonter la moitié du corps de la pompe sur le flasque du moteur. **S'ASSURER** qu'elle est posée à l'endroit.
8. Appliquer un peu de savon liquide (une goutte suffit) sur le diamètre intérieur du joint rotatif.
9. Glisser le joint rotatif (sa surface en carbone en premier) sur l'arbre, jusqu'à ce que la bague d'entraînement en caoutchouc vienne en butée avec l'épaulement de l'arbre.

REMARQUE : Faire bien attention de ne pas entailler ni rayer la surface en carbone du joint lorsqu'on le glisse sur l'extrémité filetée de l'arbre ou l'épaulement de l'arbre. Sa surface en carbone doit toujours être propre, sinon il durera moins longtemps.

Entretien – (Suite)

10. Immobiliser l'arbre du moteur avec une clé à fourche de 7/16 de pouce qu'on aura posée sur les méplats du moteur, puis visser l'impulseur sur l'arbre. Faire bien attention de ne pas toucher les bornes du condensateur avec le corps ou tout autre objet métallique. Le serrage de l'impulseur positionnera automatiquement le joint dans la bonne position.

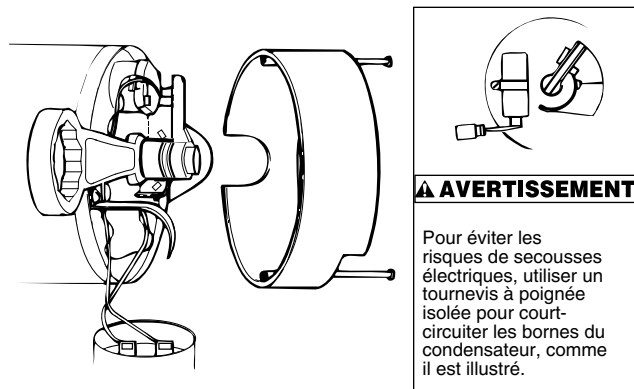


Figure 26 – Immobilisation de l'arbre

11. Remonter le diffuseur sur le corps de la pompe avec cinq (5) vis.
12. Suivre les instructions sous « Remontage de la pompe ».

REMONTAGE DE LA POMPE

1. Nettoyer le joint torique et sa gorge.
2. Poser le joint torique dans la gorge du flasque. Remonter les moitiés de la pompe. (Figure 27).

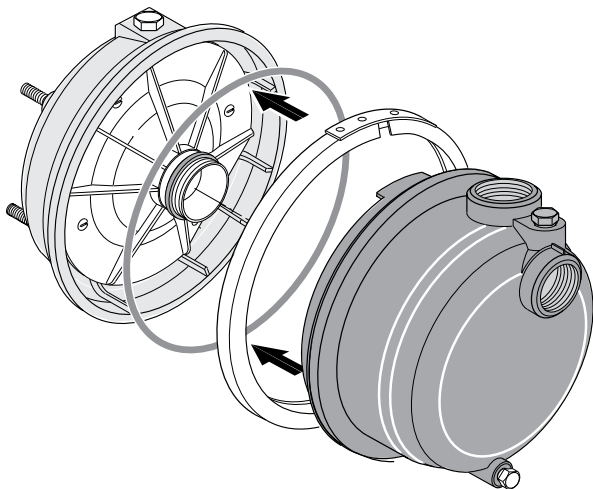


Figure 27 – Remontage de la pompe

3. **S'ASSURER QUE** l'intérieur du collier est propre. Poser le collier sur les deux moitiés de la pompe. Bien le serrer. Alternativement, serrer l'écrou et taper sur le collier avec une massette pour faire réposer le joint torique. (Figure 28).

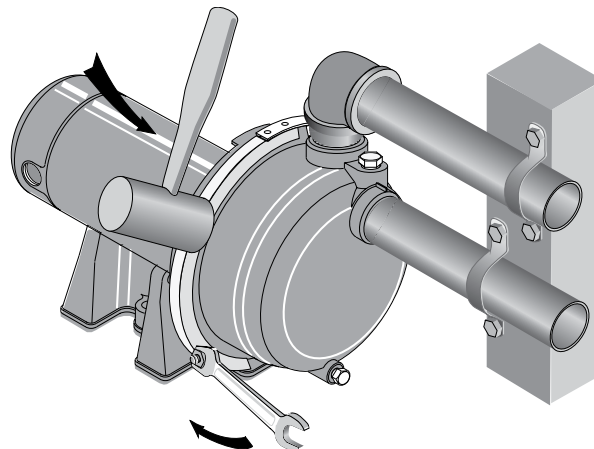
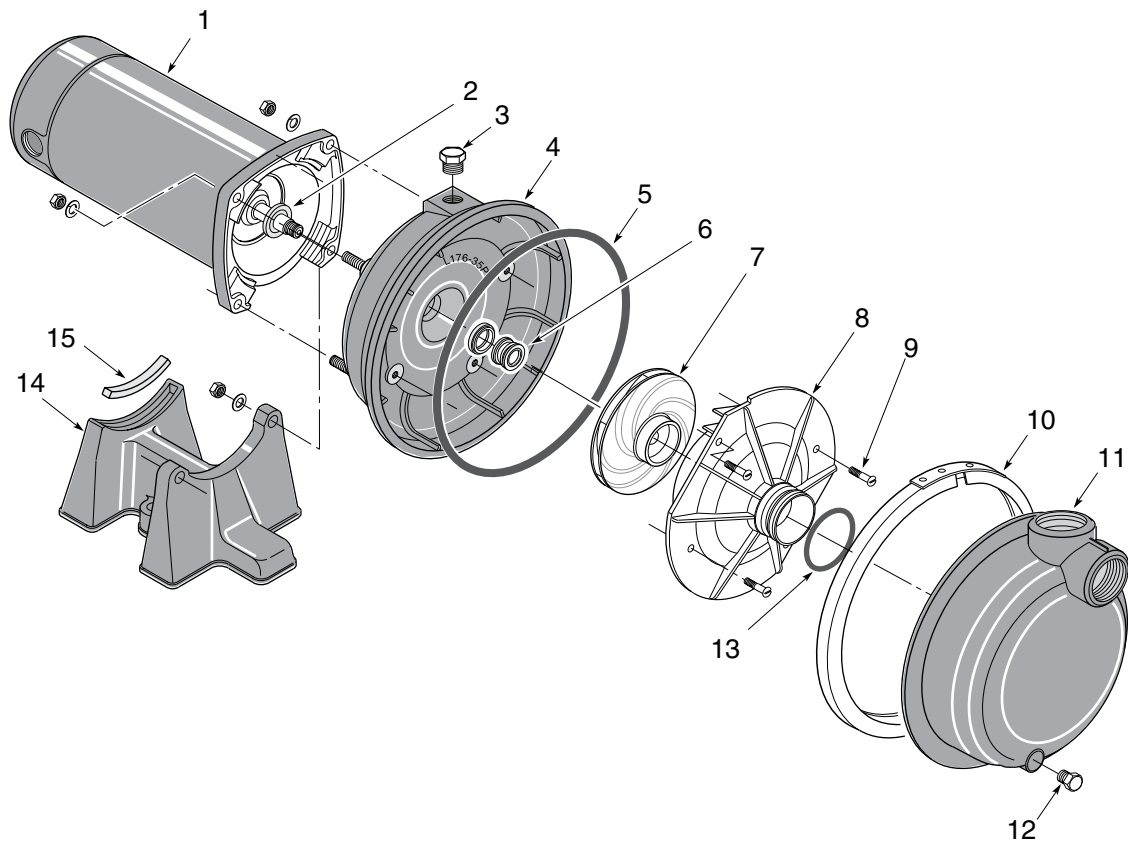


Figure 28 – Taper sur le collier tout en serrant la vis

4. Reposer les boulons de fixation du socle.
5. Rebrancher le tube du pressostat et le câblage du moteur; fermer le robinet de purge.
6. Amorcer la pompe conformément aux instructions. Se reporter à « Fonctionnement ».
7. S'assurer qu'il n'y a pas de fuite ni de prise d'air.

POMPES CENTRIFUGES RÉSISTANT À LA CORROSION

MODÈLES PQP10 et PQP15

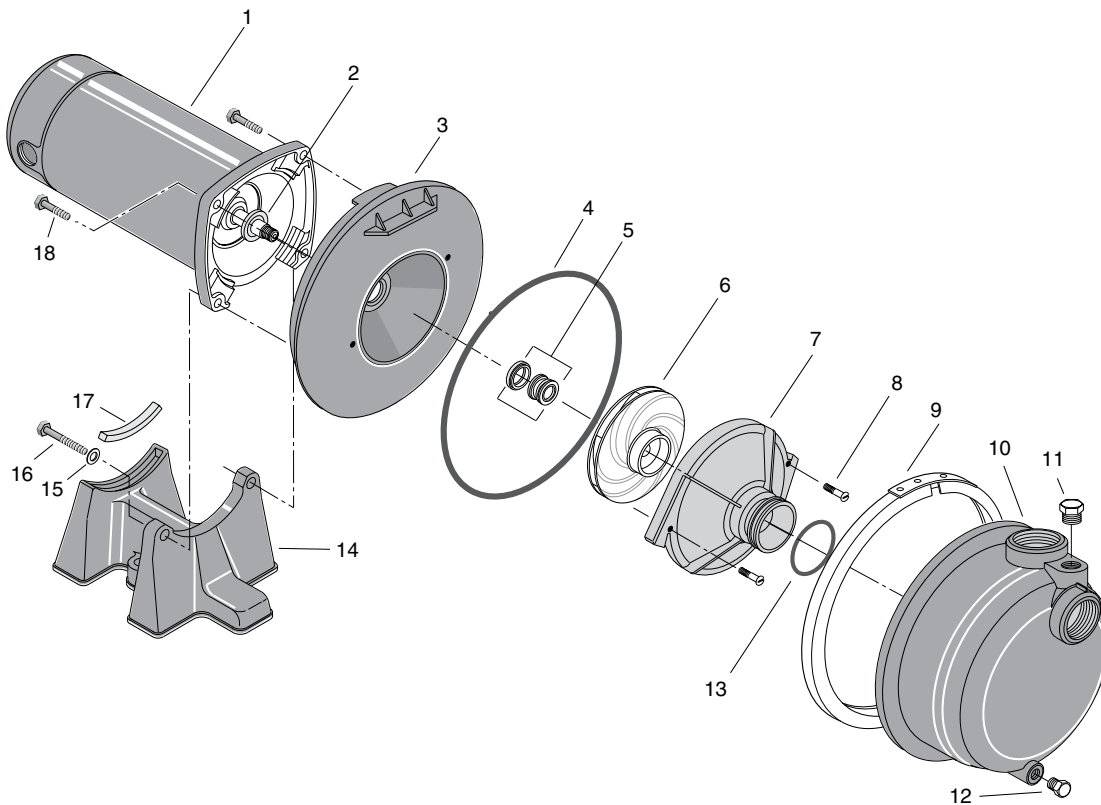


Réf.	Désignation	PQP10 115/230 V 60 Hz/1 phase 1 chevaux	PQP15 115/230 V 60 Hz/1 phase 1 1/2 chevaux
1	Moteur	J218-596PKG	J218-601PKG
2	Défecteur	17351-0009	17351-0009
3	Bouchon d'amorçage	WC78-39T	WC78-39T
4	Moitié arrière du ceps de la pompe (complète)	L176-47P1	L176-47P1
5	Joint torique	U9-399	U9-399
6	Joint d'arbre de 5/8 de pouce	U109-6A	U109-6A
7	Impulseur	C105-92PVB	C105-92PBBB
8	Diffuseur	C1-258PCA	C1-258PCA
9	Vis n° 8 - 32 à tête ronde	U30-997SS	U30-997SS
10	Collier en « V »	C19-54SS	C19-54SS
11	Moitié avant du ceps de la pompe (complète)	C176-53P	C176-53P
12	Bouchon de vidange de 1/4 NPT	WC78-40T	WC78-40T
13	Joint torique	U9-226	U9-226
14	Socle	C4-42P	C4-42P
15	Rondelle de 5/16	U43-11ZP(4)	U43-11ZP(4)
16	Écrou de 5/16-18	U36-37ZP(4)	U36-37ZP(4)
17	Support en caoutchouc	C35-11	C35-11

REMARQUE : La quantité est de un, à moins d'indication contraire ().

POMPES CENTRIFUGES RÉSIDANT À LA CORROSION

MODÈLES PQP20 et PQP25



Réf.	Désignation	PQP20 230 V 60 Hz/1 phase 2 chevaux	PQP25 230 V 60 Hz/1 phase 2 1/2 chevaux
1	Moteur	J218-883APKG	J218-628APKG
2	Défecteur	17351-0009	17351-0009
3	Moitié arrière du ceps de la pompe	C3-189P1	C3-189P1
4	Joint torique	U9-228A	U9-228A
5	Joint d'arbre de 5/8 de pouce	U109-6A	U109-6A
6	Impulseur	C105-214PFA	C105-214PGA
•	Vis d'impulseur	C30-51SS	C30-51SS
7	Diffuseur	C1-274P	C1-274P
8	Vis n° 8 - 32 à tête ronde	U30-542SS(2)	U30-542SS(2)
9	Collier en « V »	C19-37A	C19-37A
10	Moitié avant du ceps de la pompe (complète) (Comprend Réf. 12 et 13)	C176-62P	C176-62P
11	Bouchon d'amorçage	WC78-39T	WC78-39T
12	Bouchon fileté de 1/4 de pouce NPT	WC78-40T	WC78-40T
13	Joint torique	U9-393	U9-393
14	Socle	C4-42P	C4-41P
15	Rondelle de 5/16	U43-42SS(2)	U43-42SS(2)
16	Vis à chapeau	U30-77SS(2)	U30-104ZP(2)
17	Support en caoutchouc	C35-11	C35-15
18	Vis à chapeau	U30-74SS(2)	U30-104ZP(2)

•Pas illustrée.

REMARQUE : La quantité est de un, à moins d'indication contraire ().

Recherche des pannes

INCIDENTS	CAUSES POSSIBLES	REMÈDES
Le moteur ne fonctionne pas	<p>Le sectionneur est sur arrêt.</p> <p>Le fusible est sauté</p> <p>Le contacteur de démarrage est défectueux</p> <p>Les fils côté moteur sont desserrés, débranchés ou bien le moteur est mal câblé</p>	<p>S'assurer qu'il est sur la position marche</p> <p>Remplacer le fusible</p> <p>Remplacer le contacteur de démarrage</p> <p>Se reporter aux instructions de câblage. Vérifier tout le câblage. Le resserrer au besoin</p> <p>⚠ AVERTISSEMENT La tension du condensateur peut être dangereuse. Pour décharger le condensateur, immobiliser un tournevis à poignée isolée PAR LE MANCHE, puis court-circuiter les bornes du condensateur. Ne pas toucher la lame métallique du tournevis ni les bornes du condensateur. En cas de doute, s'adresser à un électricien qualifié.</p>
Le moteur chauffe pendant qu'il fonctionne et l'interrupteur de surcharge se déclenche	<p>Le moteur est mal câblé</p> <p>La tension est trop basse</p>	<p>Se reporter aux instructions de câblage</p> <p>S'adresser à la compagnie qui fournit l'électricité. Poser un câblage de plus gros diamètre si celui des fils est trop petit. (Se reporter à « Électricité » de la page 6)</p>
<p>Le moteur fonctionne mais la pompe ne débite pas d'eau</p> <p>*(REMARQUE : Vérifier l'amorçage avant de rechercher toute autre cause. Dévisser le bouchon d'amorçage et s'assurer qu'il y a de l'eau dans le trou.)</p>	<p>*La pompe d'une installation neuve ne s'est pas amorcée à cause :</p> <ol style="list-style-type: none"> 1. D'un mauvais amorçage 2. De prises d'air. 3. Du clapet de pied qui fuit <p>*La pompe s'est désamorcée :</p> <ol style="list-style-type: none"> 1. À cause de prises d'air 2. Parce que le niveau de l'eau est plus bas que le tuyau d'aspiration <p>L'impulseur est bouché</p> <p>Le clapet antiretour ou le clapet de pied est grippé en position fermée</p> <p>Les tuyaux sont gelés</p> <p>Le clapet de pied et/ou la crépine sont enfouis dans le sable ou la boue</p>	<p>Dans le cas d'une installation neuve :</p> <ol style="list-style-type: none"> 1. Réamorcer la pompe conformément aux instructions 2. Vérifier tous les raccords de la conduite d'aspiration 3. Le remplacer <p>Dans le cas d'une installation déjà en service :</p> <ol style="list-style-type: none"> 1. Vérifier tous les raccords de la conduite d'aspiration et le joint de l'arbre 2. Abaisser la conduite d'aspiration dans l'eau, puis réamorcer la pompe. Si le niveau de l'eau dans le puits baisse sous la hauteur géométrique d'aspiration, utiliser une pompe pour puits profond <p>Le nettoyer. Se reporter à « Entretien »</p> <p>Remplacer le clapet antiretour ou le clapet de pied</p> <p>Les dégeler. Enterrer les tuyaux plus profond que la profondeur maximale de pénétration du gel. Chauffer la fosse ou le bâtiment de la pompe</p> <p>Le relever du fond du puits</p>
La pompe ne débite pas au maximum. (Vérifier également les 3 incidents précédents.)	<p>Le niveau de l'eau dans le puits est plus bas que celui estimé</p> <p>Les tuyaux en acier (le cas échéant) sont corrodés ou entartés, ce qui cause un frottement excessif</p> <p>Le diamètre des tuyaux d'aspiration est trop petit</p>	<p>Une pompe à éjecteur pour puits profonds devra peut être utilisée (profondeur jusqu'à l'eau supérieure à 6 mètres [20 pieds])</p> <p>Si possible, les remplacer par des tuyaux en plastique. Sinon poser des tuyaux en acier neuf</p> <p>En utiliser un de plus gros diamètre</p>
La pompe fuit autour du collier	Le collier est desserré	<p>ARRTER LA POMPE. Resserrer l'écrou du collier de 1 à 2 tours. Alternativement, serrer et taper avec une massette sur le collier pour faire reposer le joint torique. Ne pas serrer exagérément</p>

Garantie limitée

F.E. MYERS garantit au consommateur initial (ci-après appelé l'« Acheteur ») que les produits énumérés dans les présentes sont exempts de défaut de matériau et de fabrication pendant la durée de la garantie à compter de la durée des garanties indiquées ci-dessous.

Produits	Durée des garanties
Pompes à éjecteur, petites pompes centrifuges, pompes submersibles et tous les accessoires connexes	Selon le premier terme atteint : 12 mois à compter de la date de la première installation ou 18 mois à compter de la date de fabrication
Réservoirs en fibre de verre	5 ans à compter de la date de la première installation
Réservoirs sous pression en acier	5 ans à compter de la date de la première installation
Produits de puisard/d'égout/d'effluents	12 mois à compter de la date de la première installation ou 24 mois à compter de la date de fabrication

Nos garanties ne s'appliquent pas aux produits ayant fait l'objet de négligence, d'une mauvaise utilisation, d'une mauvaise installation ou d'un manque d'entretien adéquat. Sans aucune limitation des présentes, la garantie des moteurs triphasés submersibles sera nulle et non avenue si ces moteurs sont branchés et fonctionnent sur le courant monophasé par l'intermédiaire d'un déphaseur. Il faut également noter que les moteurs triphasés doivent être protégés par un relais de surcharge tripolaire thermocompensé à déclenchement extrêmement rapide du calibre recommandé, sinon la garantie sera nulle et non avenue.

Le seul recours de l'Acheteur et la seule responsabilité de F.E. MYERS consistent à réparer ou à remplacer (au choix de F.E. MYERS) les produits qui se révéleraient défectueux. L'Acheteur s'engage à payer tous les frais de main d'œuvre et d'expédition du produit couvert par sa garantie et de s'adresser au concessionnaire-installateur ayant procédé à l'installation dès qu'un problème est découvert pour obtenir un service sous garantie. Aucune demande de service en vertu de sa garantie ne sera acceptée après expiration de la durée de sa garantie. Ces garanties ne sont pas transférables.

F.E. MYERS DÉCLINE TOUTE RESPONSABILITÉ POUR TOUT DOMMAGE INDIRECT OU FORTUIT QUEL QU'IL SOIT. LA GARANTIE LIMITÉE SUSMENTIONNÉE EST EXCLUSIVE ET REMPLACE TOUTES LES AUTRES GARANTIES EXPRESSES ET TACITES, Y COMPRIS, MAIS SANS S'Y LIMITER, LES GARANTIES DE QUALITÉ MARCHANDE ET D'ADAPTATION À UN USAGE PARTICULIER. LA GARANTIE LIMITÉE SUSMENTIONNÉE NE DOIT PAS ÊTRE PROLONGÉE AU-DELÀ DE LA DURÉE PRÉVUE AUX PRÉSENTES.

Certains états, territoires et certaines provinces ne permettent pas l'exclusion ou la limitation des dommages indirects ou fortuits, ni les limitations relatives à la durée des garanties tacites. Par conséquent, il se peut que les limitations ou les exclusions stipulées dans les présentes ne s'appliquent pas dans ce cas. Ces garanties accordent des droits juridiques précis, bien que l'on puisse bénéficier d'autres droits, selon la province, le territoire ou l'état dans lequel on réside.

La présente garantie limitée est entrée en vigueur le 1er juin 2011 et remplace toute garantie non datée ou antérieure à cette date.

F.E. MYERS
293 Wright Street, Delavan, WI 53115
Tél. : 888-987-8677 • Téléc. : 800-426-9446 • www.femyers.com
Au Canada : P. O. Box 9138, 269 Trillium Dr., Kitchener, Ontario N2G 4W5
Tél.: 519-748-5470 • Téléc.: 888-606-5484



! PELIGRO

! ADVERTENCIA

! PRECAUCIÓN

¡LEA Y SIGA LAS INSTRUCCIONES DE SEGURIDAD!

Este es el símbolo de alerta de seguridad. Cuando vea este símbolo en su bomba o en este manual, busque alguna de las siguientes palabras de advertencia y esté alerta a la posibilidad de lesiones personales:

PELIGRO advierte acerca de los peligros que **provocarán** lesiones personales graves, muerte o daños materiales considerables si se ignoran.

ADVERTENCIA advierte acerca de los peligros que **pueden** provocar lesiones personales graves, muerte o daños materiales considerables si se ignoran.

PRECAUCIÓN advierte acerca de los peligros que **provocarán** o **podrán** provocar lesiones personales o daños materiales menores si se ignoran.

La etiqueta **AVISO** indica instrucciones especiales que son importantes pero que no están relacionadas con los peligros.

Lea y siga cuidadosamente todas las instrucciones de seguridad en este manual y en la bomba.

Mantenga las etiquetas de seguridad en buen estado. Reemplace las etiquetas de seguridad que falten o que estén dañadas.

SEGURIDAD ELÉCTRICA

! ADVERTENCIA



Tensión peligrosa. Puede provocar choque eléctrico, quemaduras o muerte.

Conecte la bomba a tierra antes de conectar la fuente de alimentación.

! Es necesario cablear el motor para la tensión correcta. Consulte la sección de “Información Eléctrica” en este manual y en la placa del motor.

! Conecte el motor a tierra antes de conectar la fuente de alimentación.

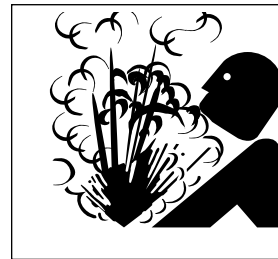
! Cumpla con el Código Nacional de Electricidad, el Código Canadiense de Electricidad y los normas locales para todo el cableado.

! Siga las instrucciones de cableado en este manual cuando conecte el motor a las líneas de corriente eléctrica.

Asegúrese de que su taller sea a prueba de niños; use candados e interruptores maestros; retire las llaves de ignición.

! PRECAUCIÓN **No toque un motor en funcionamiento.** Los motores modernos están diseñados para funcionar a alta temperatura. Para evitar quemaduras cuando realice trabajos de reparación en la bomba, deje que se enfríe por 20 minutos después de apagarla y antes de manipularla.

INFORMACIÓN GENERAL SOBRE LA SEGURIDAD



! ADVERTENCIA

¡Presión peligrosa! No haga marchar la bomba contra una descarga cerrada.

Descargue toda la presión en el sistema antes de trabajar con cualquier componente.

La bomba ha sido diseñada solamente como rociador/regador de césped. Para evitar un recalentamiento, peligros de presión y posibles lesiones, no la use en un sistema de tanque a presión (agua doméstica). No la use como bomba de refuerzo, ya que la aspiración bajo presión puede hacer que la bomba explote.

No permita que la bomba ni el sistema de tuberías se congelen. El congelamiento puede dañar la bomba y las tuberías, provocar lesiones debido a fallas del equipo, e invalidará la garantía.

Bombee agua solamente con esta bomba.

Inspeccione la bomba y los componentes del sistema periódicamente.

Use gafas de seguridad siempre que trabaje en las bombas.

Mantenga el área de trabajo, limpia, ordenada y debidamente iluminada; guarde debidamente toda herramienta y equipo que no se esté usando.

Mantenga a los visitantes a una distancia segura de las áreas de trabajo.

Advertencia de la Proposición 65 de California

! ADVERTENCIA Este producto y accesorios relacionados contienen sustancias químicas reconocidas en el Estado de California como causantes de cáncer, malformaciones congénitas y otros daños al sistema reproductivo.

Antes de instalar la bomba

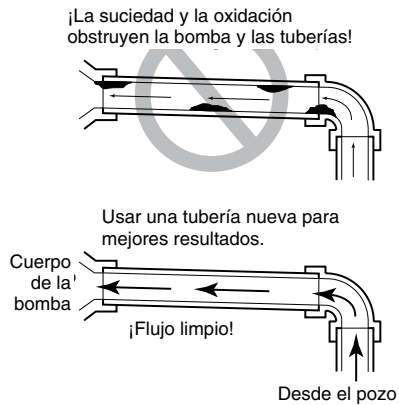


Figura 1 – Tubería de aspiración sin suciedad ni oxidación

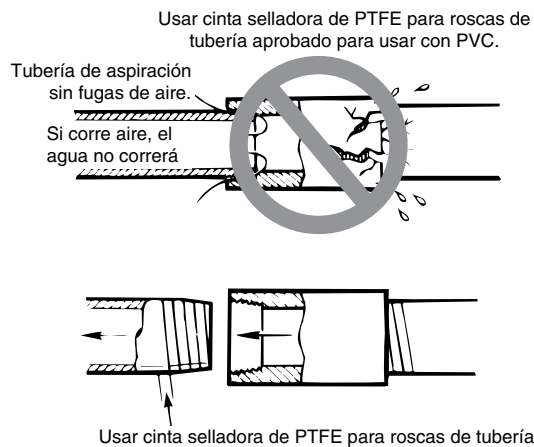


Figura 4 – No debe haber fugas en la tubería de aspiración

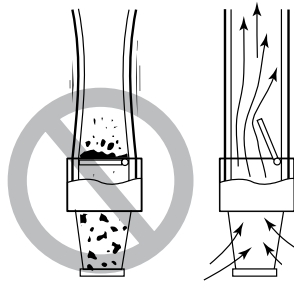


Figura 2 – La válvula de pie debe funcionar libremente

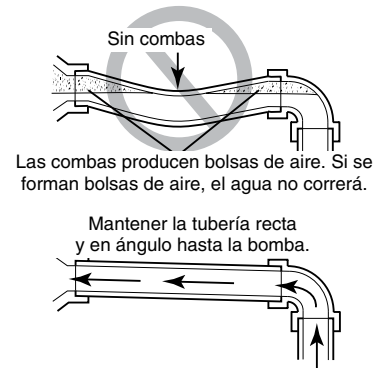


Figura 3 – Tubería de aspiración sin bolsas de aire

AVISO: El pozo no debe tener más de 20 pies de profundidad al agua.

1. Trayectos largos y muchos accesorios aumentan la fricción y reducen el flujo. Coloque la bomba tan cerca del pozo como sea posible; use la menor cantidad posible de codos y accesorios.
2. Verifique que el pozo no tenga arena. La arena obstruirá la bomba e invalidará la garantía.
3. Proteja la bomba y todas las tuberías contra heladas. El congelamiento rajará la tubería, dañará la bomba e invalidará la garantía. Verifique los requerimientos locales de protección contra heladas (generalmente las tuberías deben estar 12" por debajo del nivel de penetración de la helada y la bomba debe tener aislamiento).
4. Verifique que todas las tuberías y la válvula de pie estén limpias y en buen estado.
5. No debe haber bolsas de aire en la tubería de aspiración.
6. Sellar las juntas de la tubería de aspiración con cinta selladora de PTFE para roscas de tubería.
7. Las uniones que se instalen cerca de la bomba y del pozo ayudarán en las reparaciones y el mantenimiento. Deje un espacio para usar llaves de tuercas.
8. **⚠ ADVERTENCIA** El cuerpo de la bomba puede explotar si se usa como bomba de refuerzo. NO la use en aplicaciones de refuerzo.

CUADRO DE DESEMPEÑO (en galones por minuto) Gran altura

Presión de descarga PSI	PQP10				PQP15				PQP20				PQP25			
	Distancia sobre el agua															
	5'	10'	15'	20'	5'	10'	15'	20'	5'	10'	15'	20'	5'	10'	15'	20'
	Capacidad – Galones por minuto															
10	55	49	48	45	67	61	56	46	69	67	65	62	92	83	81	78
15	51	46	45	44	66	58	55	45	65	63	60	58	86	79	78	76
20	45	42	39	37	61	56	54	44	59	56	54	52	80	76	75	74
25	38	35	32	29	55	52	51	43	52	50	48	45	73	71	70	69
30	31	28	24	20	48	45	44	38	47	45	42	40	66	66	65	64
35	23	19	16	11	39	37	34	28	42	38	35	32	60	60	59	58
40	17	13	8		33	27	20	11	34	30	27	23	55	54	53	52
45					18	14	8		25	17	10		47	46	46	45
50									14	7			40	38	37	36

Los modelos PQP10 y PQP15 tienen una descarga de 1-1/2" NPT y una aspiración de 2" NPT.

Los modelos PQP20 y PQP25 tienen aspiración y descarga de 2" NPT.

Instalación de la tubería en el pozo

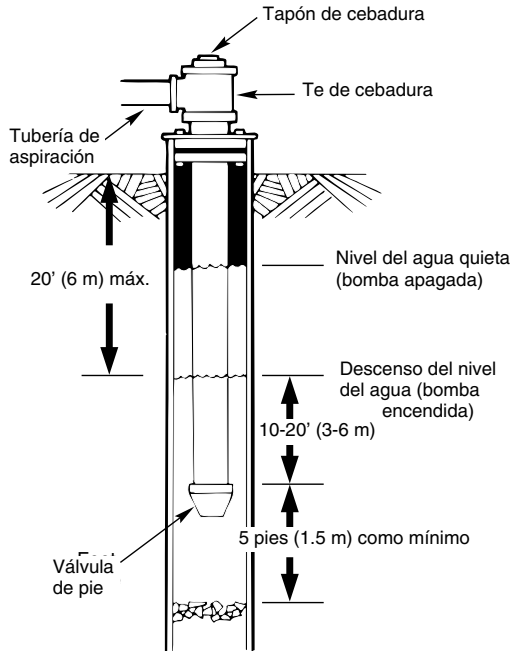


Figura 5 – Instalación en pozo entubado / excavado

AVISO: Use el método de instalación indicado abajo que mejor se adapte a su tipo de pozo.

INSTALACIÓN EN POZO ENTUBADO

1. Verifique que la válvula de pie funcione libremente. Verifique que la criba esté limpia.
2. Conecte la válvula de pie y la criba al primer largo de la tubería de aspiración y baje la tubería por el pozo. Agregue secciones de tubo según se requiera, usando cinta de selladora de PTFE para roscas de tubería en las roscas macho. Verifique que toda la tubería de aspiración no tenga fugas, de lo contrario la bomba perderá cebadura y no bombeará. Instale una válvula de pie entre 10 y 20 pies debajo del nivel más bajo al que descenderá el agua mientras la bomba está funcionando (nivel de agua de bombeo). La persona que haya perforado el pozo le podrá proporcionar esta información.
3. Para impedir que entre arena y sedimentos en el sistema de bombeo, la válvula de pie/criba deberá estar al menos 5 pies por encima del fondo del pozo.
4. Cuando haya alcanzado la profundidad correcta, instale una junta sanitaria de pozo por encima de la tubería en el entubado del pozo. Apriete los pernos para sellar el entubado.
5. Cuando se use una válvula de pie, se recomienda usar un te y un tapón de cebadura según se ilustra en la Figura 5.

INSTALACIÓN EN POZO EXCAVADO

Similar a la instalación en pozo entubado.

INSTALACIÓN EN PUNTO FILTRANTE

1. Conecte la tubería de aspiración al punto filtrante según se ilustra en la Figura 6. Mantenga el trayecto de la tubería horizontal lo más corto posible. Utilizar cinta selladora de PTFE para roscas de tubería. Es posible que se requieran múltiples puntos filtrantes para suministrar suficiente agua a la bomba.
2. Instale una válvula de retención en la tubería horizontal. La flecha de flujo en la válvula de retención debe apuntar hacia la bomba.

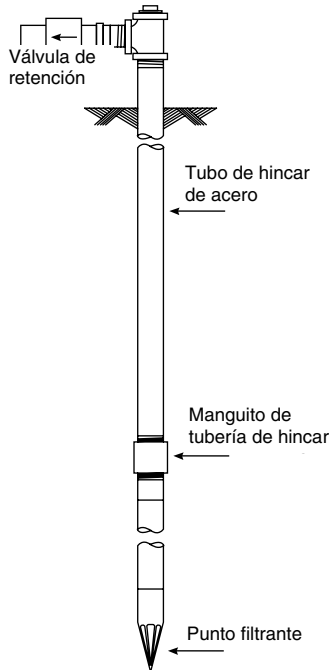


Figura 6 – Instalación del punto filtrante

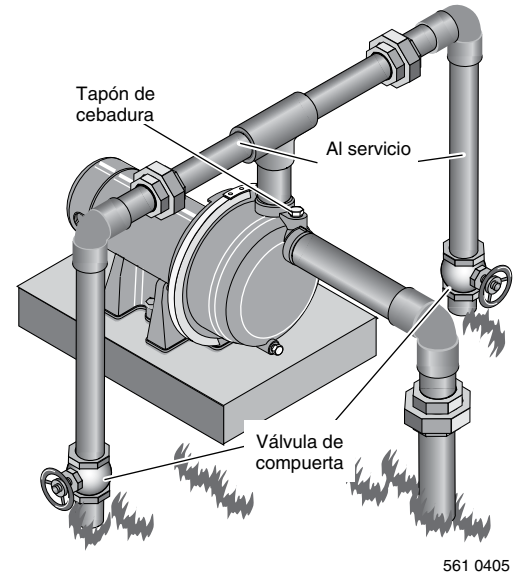


Figura 7 – Descarga múltiple

TUBERÍA HORIZONTAL DESDE EL POZO A LA BOMBA

1. Nunca instale una tubería de aspiración menor que el orificio de aspiración de la bomba.
2. Para ayudar con la cebadura en instalaciones de punto filtrante, instale una válvula de retención en línea según se ilustra en la Figura 6. Verifique que la flecha de flujo de la válvula de retención apunte hacia la bomba.

TAMAÑOS DE LA TUBERÍA DE DESCARGA

1. Si aumenta el tamaño de la tubería de descarga, instale un reductor en el orificio de descarga de la bomba. No aumente el tamaño de la tubería en etapas.
2. Cuando la bomba se coloque alejada de los puntos de uso de agua, será necesario aumentar el tamaño de la tubería de descarga para reducir las pérdidas de presión provocadas por la fricción.
 - Hasta un trayecto de 100': El mismo tamaño que el orificio de descarga de la bomba.
 - Trayecto de 100' a 300': Aumentar un tamaño de la tubería.
 - Trayecto de 300' a 600': Aumentar dos tamaños de la tubería.

USO PARA REGAR CÉSPED

Esta bomba ha sido diseñada para regar el césped. Su diseño permite la entrega de una gran cantidad de agua a la presión máxima del rociador. Puede bombear desde estanques, cisternas o puntos filtrantes.

La descarga de la bomba se puede dividir para alimentar dos (2) o más sistemas de regado. La Figura 7 ilustra una descarga de servicio múltiple.

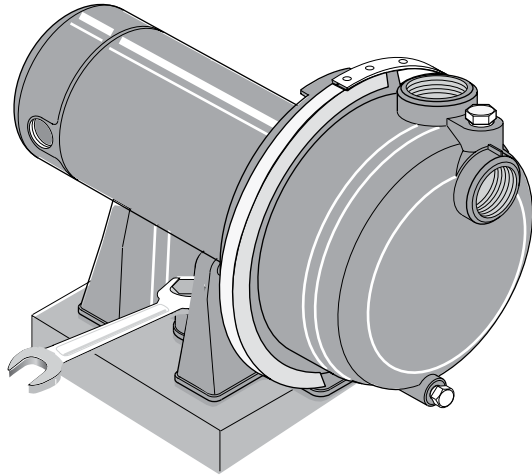
No se debe usar en un tanque a presión o como bomba de refuerzo.

Instalación de la bomba/ de la tubería

INSTALACIÓN DE LA BOMBA

AVISO: Llevar a cabo todas las conexiones roscadas a la bomba utilizando solamente cinta selladora de PTFE para roscas de tubería. **No use compuestos para uniones de tuberías en bombas de plástico:** éstas pueden reaccionar con el plástico en los componentes de la bomba. Asegúrese de que todas las uniones de tubería en la tubería de aspiración sean herméticas y estancas. *Si la tubería de aspiración puede aspirar aire, la bomba no podrá extraer agua del pozo.*

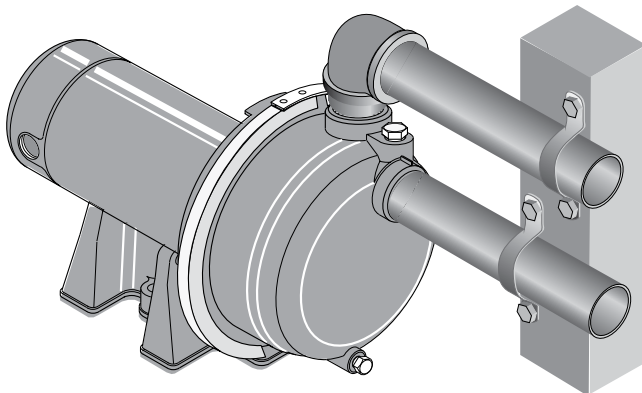
1. Atornille la bomba a cimientos firmes y nivelados.



532 0405

Figura 8 – Atornillar la bomba

2. Soporte toda la tubería que esté conectada a la bomba.

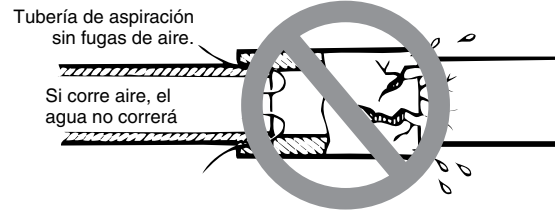


530 0405

Figura 9 – Soportar toda la tubería conectada a la bomba en forma independiente

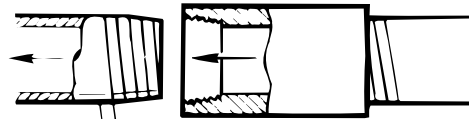
3. Envuelva entre 1-1/2 y dos capas de cinta selladora de PTFE para roscas de tubería enrollándola en la dirección de las agujas del reloj (mirando hacia el extremo de la tubería) en todas las roscas macho que se conecten a la bomba.

Usar cinta selladora de PTFE para roscas de tubería aprobado para usar con PVC.



Tubería de aspiración sin fugas de aire.

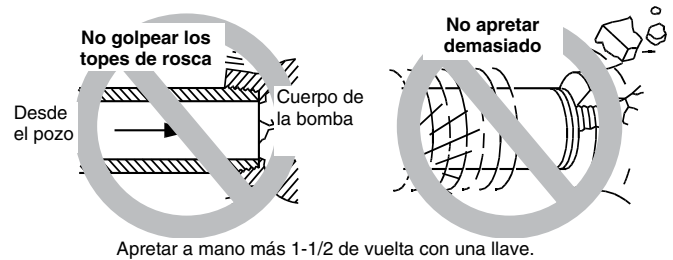
Si corre aire, el agua no correrá



Usar cinta selladora de PTFE para roscas de tubería.

Figura 10 – Usar cinta selladora de PTFE para roscas de tubería y en las conexiones a la bomba

4. Apriete las uniones a mano más 1-1/2 de vuelta. **No apriete demasiado.**



Apriete a mano más 1-1/2 de vuelta con una llave.

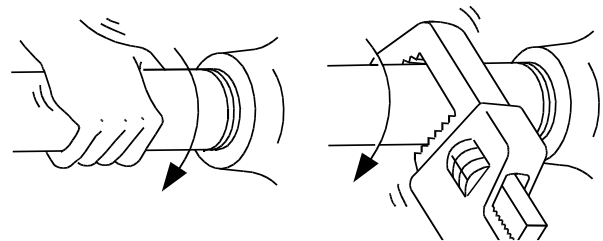


Figura 11 – No apretar demasiado

AVISO: Instale la bomba tan cerca del cabezal del pozo como sea posible. Trayectos de bomba largos y demasiados accesorios producen fricción y reducen el flujo.

AVISO: Para largos trayectos de tubería horizontal, instale un te de cebadura entre la válvula de retención y el cabezal del pozo según se ilustra en la Figura 6. Para instalaciones con punto filtrante, instale una válvula de retención según se ilustra en la Figura 6. Verifique que la flecha de flujo de la válvula de retención apunte **hacia** la bomba.

Use un tubo de hierro o de nomenclatura 80. Consulte la sección de "Instalación de la Tubería del Pozo" para obtener más información.

Información eléctrica

EL MOTOR SE DESPACHA CONFIGURADO PARA 230 VOLTIOS.

Para cambiar la tensión del motor a 115 voltios:

1. Desconecte la corriente eléctrica
2. Saque la cubierta posterior del motor.
3. Use un destornillador o una llave de 1/2" y gire el cuadrante selector de tensión en la dirección contraria a las agujas del reloj hasta que se vea 115 en la abertura del cuadrante.
4. Vuelva a colocar la cubierta del motor.



Figura 12: Cambio de la configuración de tensión



Figura 13: Motor configurado para una operación a 115 Voltios

⚠ ADVERTENCIA

Tensión peligrosa. Puede provocar choques, quemaduras o muerte. Desconecte la corriente eléctrica al motor antes de trabajar en la bomba o en el motor. Conecte el motor a tierra antes de conectarlo a la fuente de alimentación.

CABLEADO

⚠ Conecte el motor a tierra antes de conectarlo a la fuente de suministro de corriente eléctrica, de lo contrario existe el peligro de choque eléctrico grave o fatal.

⚠ No haga la conexión a tierra mediante una línea de suministro de gas.

⚠ Para evitar choques eléctricos peligrosos o fatales, DESCONECTE el suministro de corriente eléctrica al motor antes de trabajar con las conexiones eléctricas.

⚠ La tensión de suministro debe estar entre $\pm 10\%$ de la tensión indicada en la placa de fábrica. Una tensión incorrecta puede provocar incendios o dañar el motor e invalidará la garantía. En caso de duda, consulte a un electricista certificado.

⚠ Use el cable del tamaño especificado en el Cuadro de Cableado (Página 7). De ser posible, conecte la bomba a un ramal separado sin otros aparatos conectados al mismo.

⚠ El motor se debe cablear según el diagrama que aparece en la placa de fábrica del motor. Si el diagrama en la placa de fábrica difiere de los diagramas que aparecen arriba, guíese por el diagrama de la placa de fábrica.

1. Instale, conecte a tierra, cablee y mantenga esta bomba conforme a los requerimientos de las normas eléctricas. Consulte a su inspector local de la construcción para obtener información sobre las normas.
2. Proporcione un interruptor de desconexión con el fusible correcto para protección mientras trabaja en el motor. Consulte los requerimientos para interruptores de las normas de electricidad locales y nacionales.
3. Desconecte la corriente eléctrica antes de realizar reparaciones en el motor o en la bomba. Si el interruptor de desconexión no está a la vista desde la bomba, trábelo en la posición abierta y coloque una etiqueta para impedir una reconexión inesperada de la corriente eléctrica.
4. Conecte la bomba a tierra en forma permanente usando un cable del mismo tamaño que el especificado en el cuadro de cableado (Página 7). La conexión a tierra se debe realizar por medio del borne verde de puesta a tierra debajo del techo del motor, marcado con las letras GRD. o con el símbolo [⊖].

Información eléctrica

5. Conecte el cable a tierra a un conductor puesto a tierra en el tablero de servicio o a un tubo metálico subterráneo de agua o al entubado del pozo de 10 pies de largo como mínimo. No lo conecte a un tubo de plástico o a accesorios aislados.
6. Proteja los conductores de corriente y puesta a tierra contra cortes, grasa, calor, aceite y sustancias químicas.
7. Conecte los conductores de corriente a los bornes L1 y L2 debajo del techo del motor. Cuando reemplace el motor, compare el diagrama de cableado en la placa de fábrica del motor con las Figuras 12-13. Si el diagrama de cableado del motor no corresponde a ninguno de los diagramas en las Figuras 12-13, guíese por el diagrama en el motor.

IMPORTANTE: Los modelos monofásicos de 115/230 se despachan de fábrica con el motor cableado para 230 voltios.

Si la fuente de alimentación es de 115 voltios, retire el techo del motor y reconéctelo según se ilustra en las Figuras 12-13. No trate de hacer marchar un motor con la configuración recibida en una fuente de alimentación de 115 voltios.

8. El motor tiene una protección interna automática contra sobrecarga térmica. Si el motor se ha detenido por razones desconocidas, es posible que el dispositivo de protección contra sobrecarga lo vuelva a encender inesperadamente, lo que podría provocar lesiones personales o daños materiales. Desconecte la fuente de suministro de corriente eléctrica antes de realizar reparaciones en el motor.
9. Si este procedimiento o los diagramas de cableado son difíciles de comprender, consulte a un electricista certificado.

CUADRO DE CABLEADO (Tamaños recomendados para cables y fusibles)

Modelo de bomba	HP	Voltios	Carga Máx. Amp.	Clasificación Nominal* del fusible* Amperios	DISTANCIA EN PIES DEL MOTOR AL CONTADOR					
					0 - 50	51 - 100	101 - 200	201 - 300	301 - 400	401 - 500
					TAMAÑO DEL CABLE (AWG)					
PQP10	1	115/230	14.8/7.4	20/15	12/14	12/14	8/14	6/14	6/12	4/10
PQP15	1-1/2	115/230	19.2/9.6	25/15	10/14	10/14	8/14	6/12	4/10	4/10
PQP20	2	115/230	24.0/12.0	30/15	10/14	10/14	8/14	6/12	4/10	4/10
PQP25	2-1/2	115/230	26.0/13.0	30/15	10/14	10/14	8/14	6/12	4/10	4/10

(*) Se recomienda usar fusibles temporizados o disyuntores en todos los circuitos del motor.

Operación

CEBADURA DE LA BOMBA

AVISO: “Cebadura” se refiere a la expulsión de la bomba de todo el aire en el sistema y el comienzo del movimiento de agua desde su origen hacia el sistema. No se refiere sólo a verter agua en la bomba (aunque el vertido de agua es generalmente el primer paso).

AVISO: NUNCA permita que la bomba marche en seco. El funcionamiento de la bomba sin agua en su interior puede dañar las juntas y fundir el impulsor y el difusor. Para evitar daños, llene la bomba con agua antes de encenderla.

1. Retire el tapón de cebadura (Figura 14).

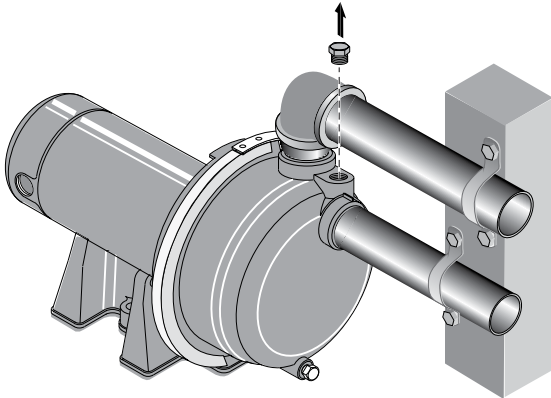


Figura 14 – Remover el tapón de cebadura

2. Verifique que las válvulas de aspiración y de descarga y todas las mangueras del lado de descarga de la bomba estén abiertas.
3. Llene la bomba y la tubería de aspiración con agua.
4. Vuelva a colocar el tapón de cebadura, usando cinta selladora de PTFE para roscas de tubería en la rosca y apriételo.

AVISO: Si se ha suministrado un te y un tapón de cebadura para un trayecto horizontal largo, asegúrese de que la tubería de aspiración esté llena hasta ese Te y vuelva a colocar el tapón. (No se olvide de adherir el tapón con cinta selladora de PTFE para roscas de tubería)

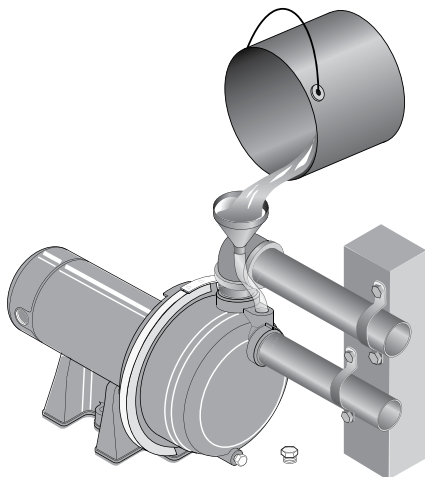


Figura 15 – Llenar la bomba antes de encenderla

5. Encienda la bomba: se deberá producir agua en 10 minutos o menos; el tiempo dependerá de la profundidad al agua (no más de 20') y del largo del trayecto horizontal (10' de tubería horizontal de aspiración = 1' de altura vertical debido a pérdidas por fricción en la tubería).

Si no se produce agua en 10 minutos, detenga la bomba, descargue toda la presión, retire el tapón de cebadura, vuelva a llenar y pruebe nuevamente.

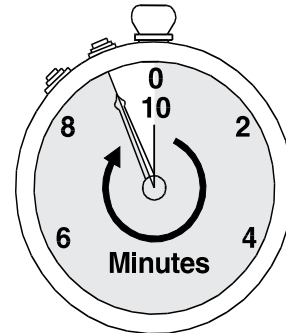


Figura 16 – Dejar marchar por diez minutos o menos

⚠ ADVERTENCIA Presión peligrosa y peligro de explosión y escaldaduras. Si la bomba se hace marchar continuamente sin flujo (es decir, con la descarga cerrada y sin cebar), el agua puede hervir dentro de la bomba y del sistema de tuberías. Con la presión del vapor, las tuberías se pueden romper, los accesorios pueden saltar y los orificios de la bomba pueden explotar escaldando a quien esté cerca.

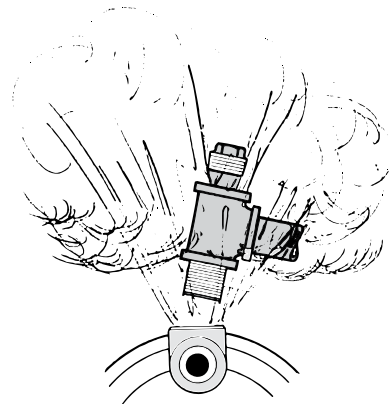


Figura 17 – No permitir que la bomba marche con la descarga cerrada

Para evitar explosiones, es necesario hacer lo siguiente:

- A. Verifique que la descarga (válvula, la tobera de la manguera con mango de pistola, etc.) esté abierta siempre que la bomba esté funcionando.
- B. Si la bomba no produce agua, descargue toda la presión, drene la bomba y vuelva a llenar con agua fría cada dos tentativas.
- C. Cuando cebe, controle la temperatura de la bomba y de la tubería. Si la bomba o la tubería se sienten calientes al tacto, apague la bomba y deje que el sistema se enfríe. Descargue toda la presión en el sistema y vuelva a llenar la bomba y la tubería con agua fría.

Mantenimiento

MANTENIMIENTO

No es necesario que la bomba y la tubería estén desconectadas para reparar o reemplazar el motor o el sello (consulte la Figura 19). Si reemplaza el motor, reemplace el sello de eje. Guarde uno a mano para uso futuro.

Asegúrese de cebar la bomba antes de encenderla.

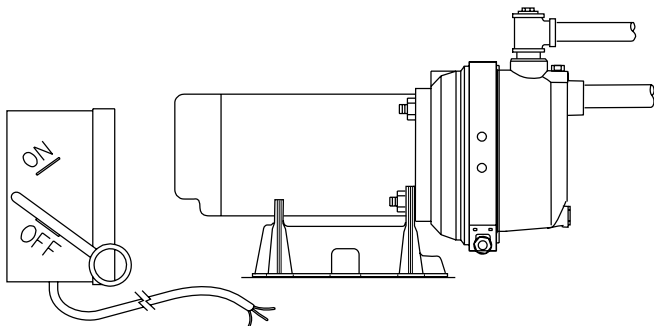
AVISO: Verifique las instrucciones de lubricación en la etiqueta del motor. El sello mecánico del eje en la bomba se lubrica con agua y se ajusta por sí solo.

AVISO: Drene la bomba cuando la desconecte del servicio o cuando haya la posibilidad de heladas.

DESENSAMBLAJE DE LA BOMBA

1. Desconecte la fuente de alimentación al motor.

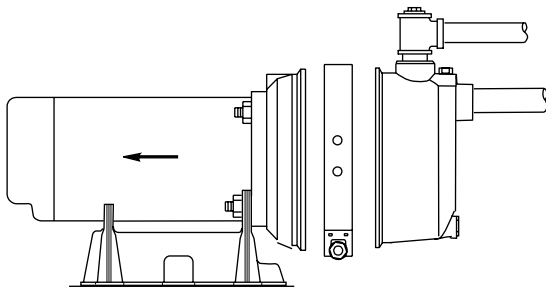
AVISO: Marque los cables para un ensamblaje correcto.



548 0405

Figura 18 – Desconectar la fuente de alimentación

2. Retire la abrazadera (consulte la Figura 19).
3. Retire los pernos de montaje de la base de la bomba. Ahora se puede retirar la unidad del motor y la mitad posterior de la bomba de la mitad delantera de la misma (Figura 19). Retire el aro tórico CUIDADOSAMENTE.



542 0405

Figura 19 – Deslizar el motor hacia atrás

LIMPIEZA / REEMPLAZO DEL IMPULSOR

AVISO: Primero siga las instrucciones en la sección de “Desensamblaje de la bomba”.

1. Retire los cuatro tornillos que sujetan el difusor a la placa de estanqueidad; retire el difusor (consulte la Figura 20). Ahora se puede limpiar el impulsor que ha quedado expuesto.

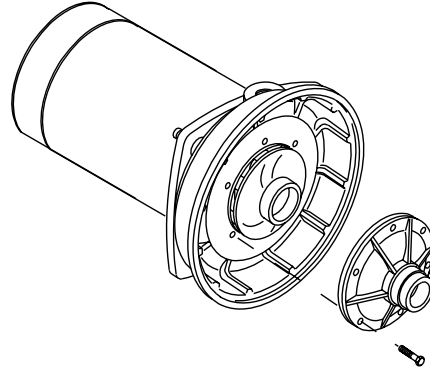


Figura 20 – Retirar el difusor

2. Si es necesario reemplazar el impulsor, afloje los dos tornillos para metales y retire el techo del motor (consulte la Figura 21).

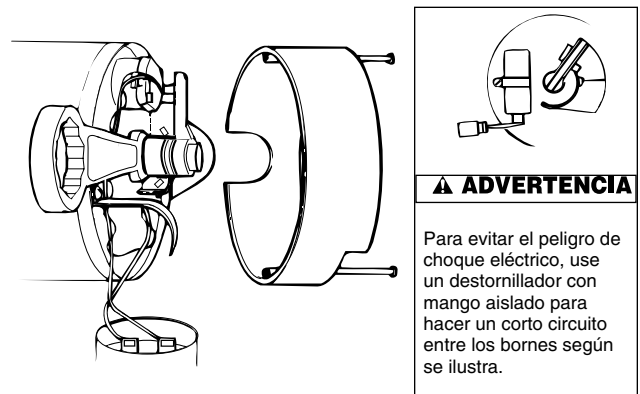


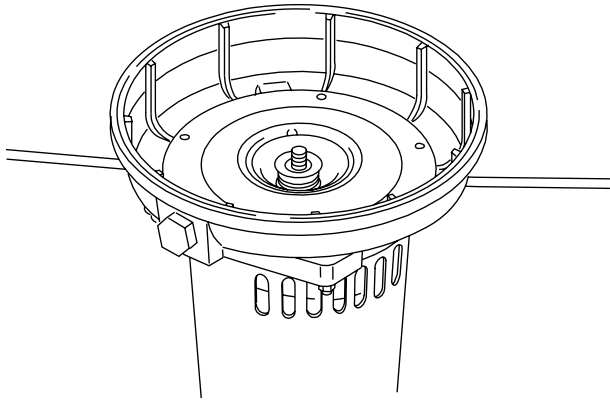
Figura 21 – Sostener el eje

3. **ADVERTENCIA** La tensión del capacitor puede ser peligrosa. Para descargar el capacitor, sostenga el destornillador con mango aislado **POR EL MANGO** y una los bornes del capacitor para provocar un corto circuito (consulte la Figura 21). No toque la hoja metálica del destornillador ni los bornes del capacitor. En caso de duda, consulte a un electricista certificado.
4. Destornille la abrazadera del capacitor y retire el capacitor. No desconecte los cables del capacitor al motor.
5. Deslice una llave de boca de 7/16" por detrás del interruptor a resorte en el extremo del motor del eje, sostenga el eje del motor con la llave sobre los planos del eje y destornille el impulsor haciéndolo girar en la dirección contraria a las agujas del reloj cuando mira hacia el ojo del impulsor.
6. Para volver a instalar, invierta los pasos 1 al 5.
7. Consulte las instrucciones en la sección “Reensamblaje de la bomba,” Página 11.

Mantenimiento (continúa)

REMOCIÓN DEL SELLO USADO

1. Siga las instrucciones en la sección de “Desensamblaje de la bomba”.
2. Siga los pasos 2 al 5 en la sección de “Limpieza / Reemplazo del Impulsor”.
3. Destornille las cuatro tuercas que sujetan la mitad posterior de la bomba al motor. Retire la mitad giratoria del sello, colocando dos destornilladores debajo de la mitad posterior del cuerpo de la bomba y empujando **cuidadosamente** hacia arriba (Figura 22). La mitad posterior del cuerpo de la bomba se deslizará hacia afuera del eje, trayendo el sello consigo.



754 0993

Figura 22 – Retirar la placa de estanqueidad

AVISO: Asegúrese de no rayar ni estropear el eje, ya que si éste se estropea, se deberá alisar con una lima fina o un paño de esmeril antes de volver a instalar el nuevo sello. ¡NO reduzca el diámetro del eje!

4. Coloque la mitad del cuerpo de la bomba boca abajo sobre una superficie plana y golpetee para sacar la mitad estacionaria del sello (consulte la Figura 23).

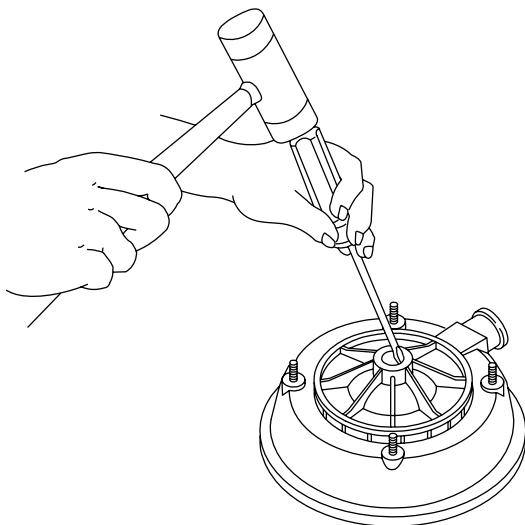


Figura 23 – Golpetear y sacar el sello

INSTALACIÓN DEL NUEVO SELLO

1. Limpie la cavidad del sello en la placa de estanqueidad.
2. Humedezca el borde exterior de la Copa de Caucho en el asiento de cerámica con jabón líquido. ¡Con moderación!
3. Coloque una arandela limpia de cartón en la cara del sello. Haciendo presión con el dedo pulgar, oprima la mitad del sello de cerámica firme y debidamente en la cavidad del sello (Consulte la Figura 24). La cara pulida del asiento de cerámica queda hacia arriba. Si el sello no queda correctamente asentado, sáquelo y colóquelo **con la cara hacia arriba** sobre un banco. Vuelva a limpiar la cavidad. Ahora el sello deberá quedar correctamente asentado.

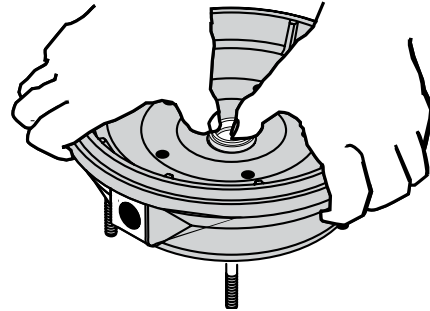


Figura 24 – Oprimir el nuevo sello

4. Si el sello no queda correctamente asentado después de haber limpiado la cavidad nuevamente, coloque una arandela de cartón sobre la cara pulida del sello y oprímala **cuidadosamente** en posición usando un trozo de tubo estándar de 3/4" como prensa.

AVISO: Asegúrese de no rayar la cara del sello.

Asegurarse de que el hombro del eje del motor.... no dañe la cara del sello

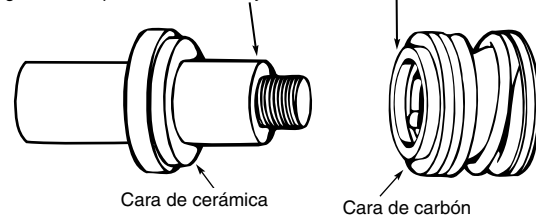


Figura 25 – Proteger las caras de sello

5. Elimine la arandela de cartón y verifique nuevamente que la cara del sello no tenga suciedad, partículas extrañas, rayones ni grasa.
6. Inspeccione el eje y verifique que no tenga muescas ni rayones.
7. Vuelva a ensamblar la mitad del cuerpo de la bomba a la brida del motor. **VERIFIQUE** que esté con el lado correcto hacia arriba.
8. Aplique jabón líquido con moderación (una gota es suficiente) en el diámetro interior de la unidad del sello giratorio.
9. Deslice la unidad del sello giratorio (con la cara de carbón primero) en la mitad hasta que el aro de caucho toque el hombro del eje.

AVISO: Asegúrese de no hacer una muesca ni rayar la cara de carbón del sello cuando la pase sobre el extremo roscado del eje o el hombro del mismo. La superficie de carbón deben permanecer limpia o se acortará la vida útil del sello.

Mantenimiento (continúa)

10. Sujete el eje del motor con una llave de boca de 7/16" sobre los planos del eje y atornille el impulsor en el eje. **Asegúrese de no tocar los bornes del capacitor con su cuerpo o con un objeto metálico.** Cuando apriete el impulsor, el sello se colocará automáticamente en la posición correcta.

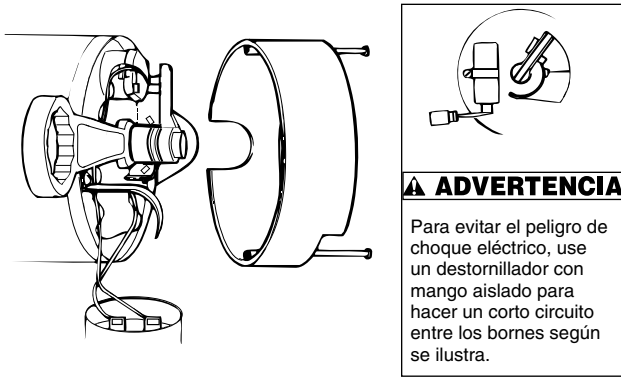


Figura 26 – Sostener el eje

11. Vuelva a instalar el difusor en la mitad del cuerpo de la bomba con cinco tornillos.
12. Siga las instrucciones de la sección "Reensamblaje de la bomba".

REENSAMBLAJE DE LA BOMBA

1. Limpie el aro tórico y la ranura del aro tórico.
2. Coloque el aro tórico en la ranura en la cara de la brida; una las mitades de la bomba (consulte la Figura 27).

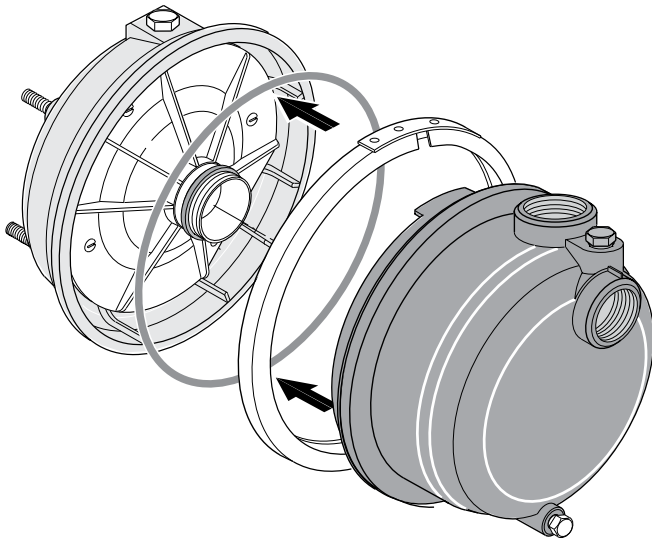


Figura 27 – Ensamblar la Bomba

3. **VERIFIQUE** que el interior de la abrazadera esté limpio. Coloque la abrazadera en las mitades de la bomba; ajústelas. Alternadamente, apriete la tuerca y golpee la abrazadera con un mazo para asentar el aro tórico (consulte la Figura 28).

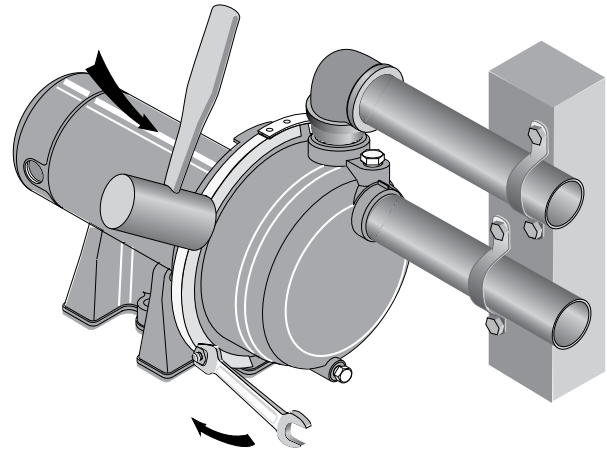
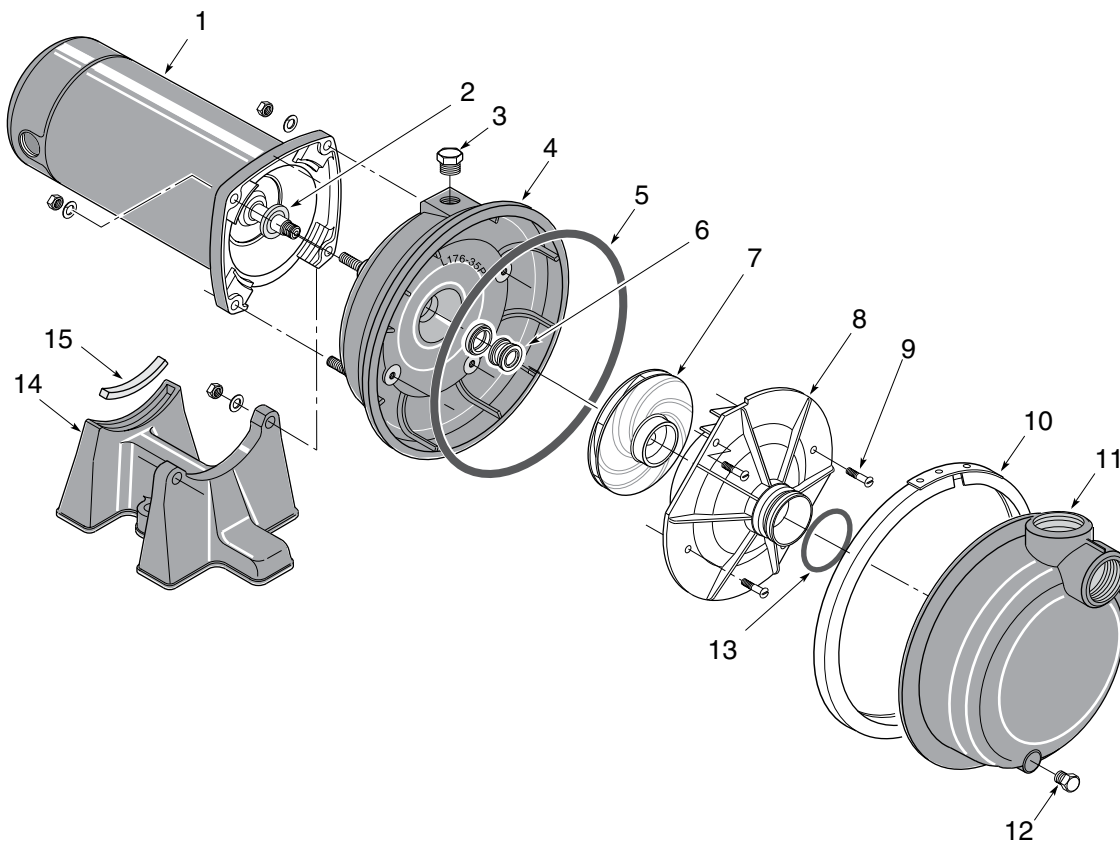


Figura 28 – Golpetear la abrazadera al ajustarla

4. Vuelva a colocar los pernos de montaje de la base.
5. Vuelva a colocar los tubos del manóstato y los cables del motor; cerrar la llave de purga.
6. Cebe la bomba según las instrucciones. Consulte la sección de "Operación".
7. Verifique que no haya fugas.

BOMBAS CENTRÍFUGAS RESISTENTES A LA CORROSIÓN

MODELOS PQP10 y PQP15



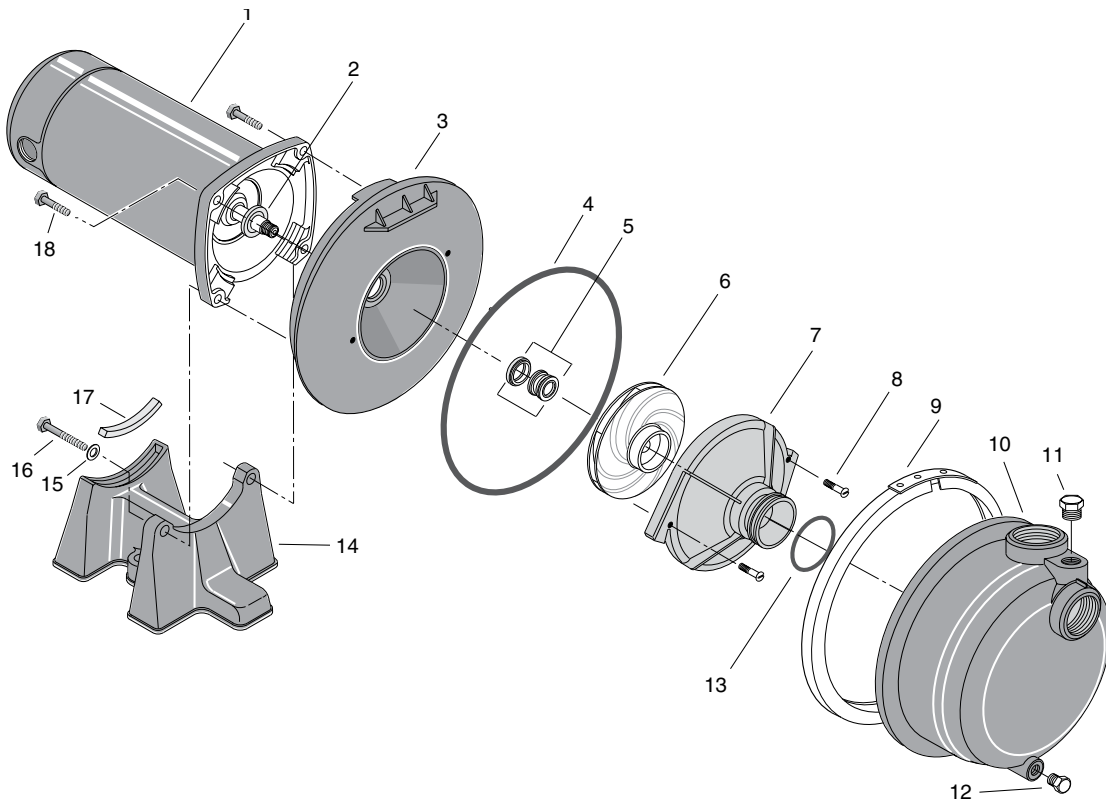
527 0405 MY

Clave No.	Descripción de la pieza	PQP10 115/230V 60 Hz/1 Fase 1 HP	PQP15 115/230V 60 Hz/1 Fase 1-1/2 HP
1	Motor	J218-596PKG	J218-601PKG
2	Deflector	17351-0009	17351-0009
3	Tapón de cebadura	WC78-39T	WC78-39T
4	Mitad posterior del cuerpo del tanque (Completo)	L176-47P1	L176-47P1
5	Aro tórico	U9-399	U9-399
6	Sello de eje para eje de 5/8"	U109-6A	U109-6A
7	Impulsor	C105-92PVB	C105-92PBBB
8	Difusor	C1-258PCA	C1-258PCA
9	Tornillo - #8 - 32 RH	U30-997SS	U30-997SS
10	Abrazadera en "V"	C19-54SS	C19-54SS
11	Mitad delantera del cuerpo del tanque (Completo)	C176-53P	C176-53P
12	Tapón de desagüe - 1/4 NPT	WC78-40T	WC78-40T
13	Aro tórico	U9-226	U9-226
14	Base	C4-42P	C4-42P
15	Arandela - 5/16	U43-11ZP(4)	U43-11ZP(4)
16	Tuerca - 5/16 - 18	U36-37ZP(4)	U36-37ZP(4)
17	Cojinete de caucho	C35-11	C35-11

NOTA: La cantidad es uno a menos que se indique lo contrario ().

BOMBAS CENTRÍFUGAS RESISTENTES A LA CORROSIÓN

MODELOS PQP20 y PQP25



2092 1095

Clave No.	Descripción de la pieza	PQP20 230V 60 Hz/1 Fase 2 HP	PQP25 230V 60 Hz/1 Fase 2-1/2 HP
1	Motor	J218-883APKG	J218-628APKG
2	Deflector	17351-0009	17351-0009
3	Mitad posterior del cuerpo del tanque	C3-189P1	C3-189P1
4	Aro tórico	U9-228A	U9-228A
5	Sello de eje para eje de 5/8"	U109-6A	U109-6A
6	Impulsor	C105-214PFA	C105-214PGA
•	Tornillo del Impulsor	C30-51SS	C30-51SS
7	Difusor	C1-274P	C1-274P
8	Tornillo - #8 - 32 RH	U30-542SS(2)	U30-542SS(2)
9	Abrazadera en "V"	C19-37A	C19-37A
10	Mitad delantera del cuerpo del tanque (Completo) (incluye Claves Nos. 12 y 13)	C176-62P	C176-62P
11	Tapón de cebadura	WC78-39T	WC78-39T
12	Tapón de desagüe - 1/4 NPT	WC78-40T	WC78-40T
13	Aro tórico	U9-393	U9-393
14	Base	C4-42P	C4-41P
15	Arandela - 5/16	U43-42SS(2)	U43-42SS(2)
16	Tornillo prisionero	U30-77SS(2)	U30-104ZP(2)
17	Cojinete de caucho	C35-11	C35-15
18	Tornillo prisionero	U30-74SS(2)	U30-104ZP(2)

• No se ilustra.

NOTA: La cantidad es uno a menos que se indique lo contrario ().

Cuadro de localización de fallas

SÍNTOMA	POSIBLE(S) CAUSA(S)	MEDIDA CORRECTIVA
El motor no marcha	<p>El interruptor de desconexión está en la posición apagada</p> <p>El fusible está quemado</p> <p>El interruptor de encendido es defectuoso</p> <p>Los cables al motor están flojos, desconectados, o conectados incorrectamente</p>	<p>Verificar que el interruptor esté encendido</p> <p>Reemplazar el fusible</p> <p>Reemplazar el interruptor de encendido</p> <p>Consultar las instrucciones sobre el cableado</p> <p>Verificar y ajustar todos los cables</p> <p>⚠ ADVERTENCIA La tensión del capacitor puede ser peligrosa. Para descargar el capacitor, sostener el destornillador con mango aislado POR EL MANGO y unir los bornes del capacitor para provocar un corto circuito. No tocar la hoja metálica del destornillador ni los bornes del capacitor. En caso de duda, consultar a un electricista certificado</p>
El motor marcha en caliente y activa el dispositivo de sobrecarga	<p>El cableado del motor es incorrecto</p> <p>La tensión es demasiado baja</p>	<p>Consultar las instrucciones de cableado</p> <p>Consultar con la empresa de energía eléctrica. Instalar cables más pesados si el tamaño del cable es demasiado pequeño. (Consultar la sección de Información Eléctrica en la página 6)</p>
<p>El motor marcha pero no entrega agua</p> <p>*(Nota: Inspeccionar la cebadura antes de tratar de encontrar otras causas. Destornillar el tapón de cebadura y verificar que haya agua en el orificio de cebadura.)</p>	<p>*La bomba en una nueva instalación no cebó debido a:</p> <ol style="list-style-type: none"> 1. Cebadura inadecuada 2. Fugas de aire 3. Fugas en la válvula de pie <p>*La bomba perdió cebadura debido a:</p> <ol style="list-style-type: none"> 1. Fugas de aire 2. Nivel del agua por debajo de la aspiración de la bomba <p>Impulsor obstruido</p> <p>La Válvula de retención o la válvula de pie está atascada en la posición cerrada</p> <p>Las tuberías están congeladas</p> <p>La válvula de pie y/o la criba están enterradas en arena o lodo</p>	<p>En una nueva instalación:</p> <ol style="list-style-type: none"> 1. Volver a cebar según las instrucciones 2. Inspeccionar todas las conexiones en la línea de aspiración 3. Reemplazar la válvula de pie <p>En instalaciones ya en uso:</p> <ol style="list-style-type: none"> 1. Inspeccionar todas las conexiones en la línea de aspiración y el sello del eje 2. Bajar la línea de aspiración al agua y volver a cebar. Si el nivel descendente del agua sobrepasa la altura de aspiración, se necesitará una bomba para pozos profundos <p>Limpiar el impulsor, consultar la sección de Mantenimiento</p> <p>Reemplazar la válvula de retención o la válvula de pie</p> <p>Descongelar las tuberías. Enterrar las tuberías debajo del nivel de penetración de la helada. Calentar el foso o el recinto de la bomba</p> <p>Elevar la válvula de pie y/o la criba por encima del fondo del pozo</p>
La bomba no entrega agua a toda su capacidad (Consultar también el punto 3 inmediatamente precedente)	<p>El nivel del agua en el pozo es más bajo de lo estimado</p> <p>Hay corrosión u oxidación en la tubería de acero (si se usa), lo que provoca excesiva fricción</p> <p>El tamaño de la tubería acodada es demasiado pequeño</p>	<p>Es posible que se necesite una bomba de chorro para pozos profundos (para más de 20 pies al agua)</p> <p>Reemplazar por una tubería de plástico en donde sea posible, de lo contrario por una nueva tubería de acero</p> <p>Usar una tubería acodada más grande</p>
Hay fugas alrededor de la abrazadera de la bomba	La abrazadera está floja	<p>DETENER LA BOMBA, apretar la tuerca de la abrazadera entre 1-2 vueltas. Apretar y golpetear alternadamente alrededor de la abrazadera con un mazo para asentar el aro tórico. No apretar demasiado</p>

Garantía limitada

F.E. MYERS le garantiza al comprador/consumidor original ("Comprador" o "Usted") de los productos enumerados abajo, que estos estarán libres de defectos en material y mano de obra durante el Período de Garantía indicado a continuación.

Producto	Período de garantía
Bombas de chorro, pequeñas bombas centrífugas, bombas sumergibles y accesorios asociados	lo que ocurra primero: 12 meses desde la fecha de la instalación inicial, o 18 meses desde la fecha de fabricación
Tanques de devanado de fibra de vidrio	5 años desde la fecha de la instalación inicial
Tanques a presión de acero	5 años desde la fecha de la instalación inicial
Productos para sumideros/aguas residuales/efluente	12 meses desde la fecha de la instalación inicial, o 24 meses desde la fecha de fabricación

Nuestra garantía no se aplicará a ningún producto que, a nuestro sólo juicio, haya sido sometido a negligencia, mal uso, instalación inadecuada o mal mantenimiento. Sin perjuicio a lo que antecede, la garantía quedará anulada en el caso en que un motor trifásico se haya usado con una fuente de alimentación monofásica, a través de un convertidor de fase. Es importante indicar que los motores trifásicos deben estar protegidos por relés de sobrecarga de disparo extra-rápido, con compensación ambiental de tres etapas, del tamaño recomendado, de lo contrario, la garantía quedará anulada.

Su único recurso, y la única obligación de F.E. MYERS es que F.E. MYERS repare o reemplace los productos defectuosos (a juicio de F.E. MYERS). Usted deberá pagar todos los cargos de mano de obra y de envío asociados con esta garantía y deberá solicitar el servicio bajo garantía a través del concesionario instalador tan pronto como se descubra un problema. No se aceptará ninguna solicitud de servicio bajo garantía que se reciba después del vencimiento del Período de Garantía. Esta garantía no se puede transferir.

F.E. MYERS NO SE HARÁ RESPONSABLE DE NINGÚN DAÑO—O CONSECUENTE, INCIDENTAL O CONTINGENTE.

LAS GARANTÍAS LIMITADAS QUE ANTECEDEN SON EXCLUSIVAS Y EN LUGAR DE TODA OTRA GARANTÍA EXPLÍCITA E IMPLÍCITA, INCLUYENDO, PERO SIN LIMITARSE A LAS GARANTÍAS IMPLÍCITAS DE COMERCIALIZACIÓN E IDONEIDAD PARA UN FIN ESPECÍFICO. LAS GARANTÍAS LIMITADAS QUE ANTECEDEN NO SE EXTENDERÁN MÁS ALLÁ DEL PERÍODO DE DURACIÓN INDICADO EN LA PRESENTE.

Algunos estados no permiten la exclusión o limitación de daños incidentales o consecuentes o de limitaciones de tiempo sobre garantías implícitas, de modo que es posible que las limitaciones o exclusiones que preceden no correspondan en su caso. Esta garantía le otorga derechos legales específicos y es posible que usted también tenga otros derechos que pueden variar de un estado al otro.

Esta Garantía Limitada entra en vigor el 1 de junio de 2011 y sustituye toda garantía sin fecha o garantía con fecha anterior al 1 de junio de 2011.

F.E. MYERS
293 Wright Street, Delavan, WI 53115
Teléfono: 888-987-8677 • Fax: 800-426-9446 • www.femyers.com
En Canadá: P. O. Box 9138, 269 Trillium Dr., Kitchener, Ontario N2G 4W5
Teléfono: 519-748-5470 • Fax: 888-606-5484

