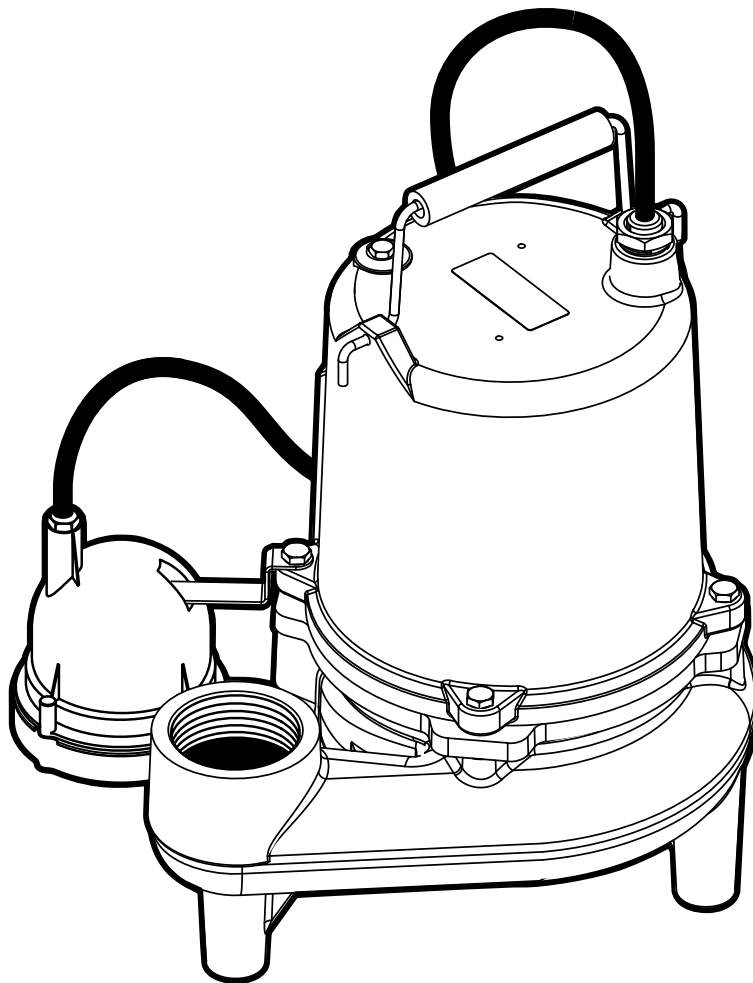




INSTALLATION AND SERVICE MANUAL
**SKV50 Submersible Sewage
Ejector Pump**

HYDROMATIC®



NOTE! TO THE INSTALLER: Please make sure you provide this manual to the owner of the pumping equipment or to the responsible party who maintains the system.

293 WRIGHT STREET, DELAVAN, WI 53115 WWW.HYDROMATIC.COM
PH: 888-957-8677

269 TRILLIUM DRIVE, KITCHENER, ONTARIO, CANADA N2G 4W5
PH: 519-896-2163

General Information

Thank you for purchasing your HYDROMATIC® pump. To help ensure years of trouble-free operation, please read the following manual carefully.

Before Operation:

Read the following instructions carefully. Reasonable care and safe methods should be practiced. Check local codes and requirements before installation.

Attention:

This manual contains important information for the safe use of this product. Read this manual completely before using this product and refer to it often for continued safe product use. **DO NOT THROW AWAY OR LOSE THIS MANUAL.** Keep it in a safe place so that you may refer to it often.

WARNING: Before handling these pumps and controls, always disconnect the power first. Do not smoke or use sparkable electrical devices or flames in a septic (gaseous) or possible septic sump.

California Proposition 65

Warning

▲WARNING This product and related accessories contain chemicals known to the State of California to cause cancer, birth defects or other reproductive harm.

Pump Warning

To reduce risk of electrical shock:

1. Risk of Electrical Shock:

This pump has not been investigated for use in swimming pool areas.

2. Risk of Electrical Shock:

Connect only to a properly grounded receptacle.

Septic tank to be vented in accordance with local plumbing codes.

Do not smoke or use sparkable electrical devices or flame in a septic (gaseous) or possible septic sump.

If a septic sump condition exists and if entry into sump is necessary, then (1) provide proper safety precautions per OSHA requirements and (2) do not enter sump until these precautions are strictly adhered to.

Do not install pump in location classified as hazardous per N.E.C., ANSI/NFPA 70 - 2001.

Failure to heed above cautions could result in injury or death.

Pump Installation

These important instructions must be followed for satisfactory performance of your pump. Before installation, check your local electrical and plumbing codes.

1. Provide proper sump size to allow the pump to operate without restrictions. A two- to five-minute run time is recommended. Also, minimum 24" diameter recommended.
2. Make sure sump is free of string, cloth, nails, gravel, etc. before installing pump.
3. Do not set pump directly on the bottom of sump pit if it is not solid. Raise the pump by placing bricks or concrete blocks underneath it.

4. Use steel or plastic pipe for all connecting lines between pump and sewer outlet.

NOTE: Some city regulations do not allow installing a pump with plastic pipe. Check local regulations.

5. In applications where the pump may sit idle for months at a time, it is recommended that the pump(s) be cycled every month to ensure the pumping system is working properly when needed.
6. A check valve should be installed in discharge pipe, at least 12" above the discharge outlet of the pump.
7. An audible alarm system, such as the Q Alert, for high water conditions should be installed in every pump for greater protection.

NOTE: Q Alert alarm is for indoor use only. Contact your Hydromatic distributor for other panel applications.

WARNING: When using the automatic diaphragm switch the vent tube in the plug must be clear of obstructions.

Do not bend cord. This will cause a crimp in the vent tube and switch failure will occur. Pump should be plugged into a single outlet, where vent tube can "breathe." Blocking tube or bending cord will void the warranty.

8. Connect to power source using 3-prong grounded AC receptacle. Do not remove ground pin from electrical plug. Do not use an extension cord.

9. For proper automatic operation (SKV50AD and SKV50AW) make sure the pump power cord is plugged into the back of the piggyback receptacle on the diaphragm switch cord.

10. Use pump partially or completely submerged for pumping (temperature to 140° F). The SKV50 will pump solid materials up to 2" (spherical) in diameter.

CAUTION: Do not pump flammable liquids, strong chemicals or salt water.



**SKV50
Typical Installation**

Pump Servicing

Servicing should be performed only by knowledgeable pump service contractors or authorized service stations.

1. *Remove pump from sump.* Before removing pump from sump pit for repair, check if the trouble could simply be a blown fuse, tripped circuit breaker, or a power cord not completely inserted into the receptacle.
2. *Check diaphragm switch.* If the unit is being operated by the automatic diaphragm switch, unplug the pump from the piggyback receptacle and plug the pump directly into the power source. If the pump starts each time it is plugged directly into the receptacle and does not start each time when plugged into the piggyback switch with the diaphragm switch pressed into a start position, replace the complete piggyback switch assembly and retest with new assembly.
3. *Check for impeller blockage.* Disconnect pump and switch from power source. Check for an obstruction in the impeller cavity by laying the pump on its side and inserting a screwdriver into impeller. Impeller should turn freely. If impeller is stuck, then turn the pump on its side, DRAIN THE OIL through the oil fill plug on top of the pump. Drain oil into a clean, dry container. A milky appearance to the oil indicates that water has entered through

either worn out or damaged seals (7) or seal ring. Remove the 4 screws (6) to remove the volute (9). If the impeller (10) does not rotate freely, clear the impeller and cavity walls before reassembling the base. Repeat Step 2.

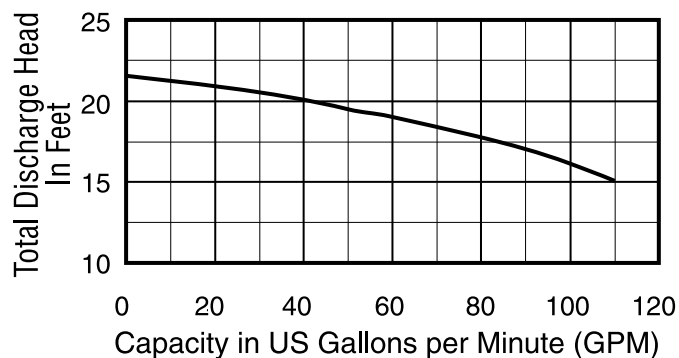
4. *Check power cord.* If the above tests have not resolved the problem, it may be in the electrical components of the pump. Starting with the power cord (2), inspect for cuts or nicks in the insulation. If the cord is damaged – replace it!
5. *Remove the motor cover.* Use a screwdriver to pry the motor cover (3) from the seal plate (8) at the fastening ears, being careful not to cut the seal ring with the screwdriver or crack the motor cover. Lift the motor cover until it clears the stator (4).
6. *Check for short.* Disconnect the stator leads from the connector. Use an ohmmeter to check the continuity of the stator. If stator fails to pass the

continuity test, it must be replaced.

Ground check. Set ohmmeter scale pointer to R X 100K scale and check meter by putting both meter leads together and adjusting the needle knob until meter reads zero. If meter cannot be adjusted to zero it will indicate that batteries in meter must be replaced.

Always make this test with the meter when scale pointer is set to a new scale before making any checks on motor.

Now connect one meter lead to one blade terminal of stator and touch other meter lead to motor stator shell (4). If needle reads below 5 (500,000 ohms) stator must be dried out before reusing. To dry out, bake in 220° oven for 4 hours. Recheck after motor cools. If motor is new or thoroughly dry, needle of ohmmeter will not move on the ground test. This indicates a reading of 50 megohms or higher. One megohm is one million ohms.



6187 1009

When making the ground test, if the needle goes clear to zero the motor probably has a wire touching the stator at some point and the stator will have to be replaced.

Winding resistance test. If motor shows a satisfactory ground test, then the winding resistance must be checked. Use ohmmeter with scale pointer set on R X 1 scale. On this scale meter reads directly on ohms. Always check the meter with leads together as described above under ground test before making a reading of the winding.

Connect one meter lead to each of the black terminal leads. Meter should read about 1.35 ohms. This is the resistance of the main winding for a 115 volt stator. This reading for a 230 volt stator should be about 6.22 ohms.

Now remove the capacitor and connect one meter lead to each of the brown wire terminals. The meter should read about 11.35 ohms for a 115 volt stator. For a 230 volt stator this reading should be 32.4 ohms. This is the resistance of the start winding.

7. *Remove the stator.* To remove the stator, remove the four hex head screws and disconnect the brown capacitor leads from the capacitor and remove the stator plate with the capacitor. Lift the stator off the seal plate (8) and set aside.

8. *Remove the impeller.* To remove the impeller (10), hold the motorshaft (5) with a screwdriver at the center of the impeller and tap the impeller with a plastic or rubber mallet so as to turn the impeller counterclockwise.

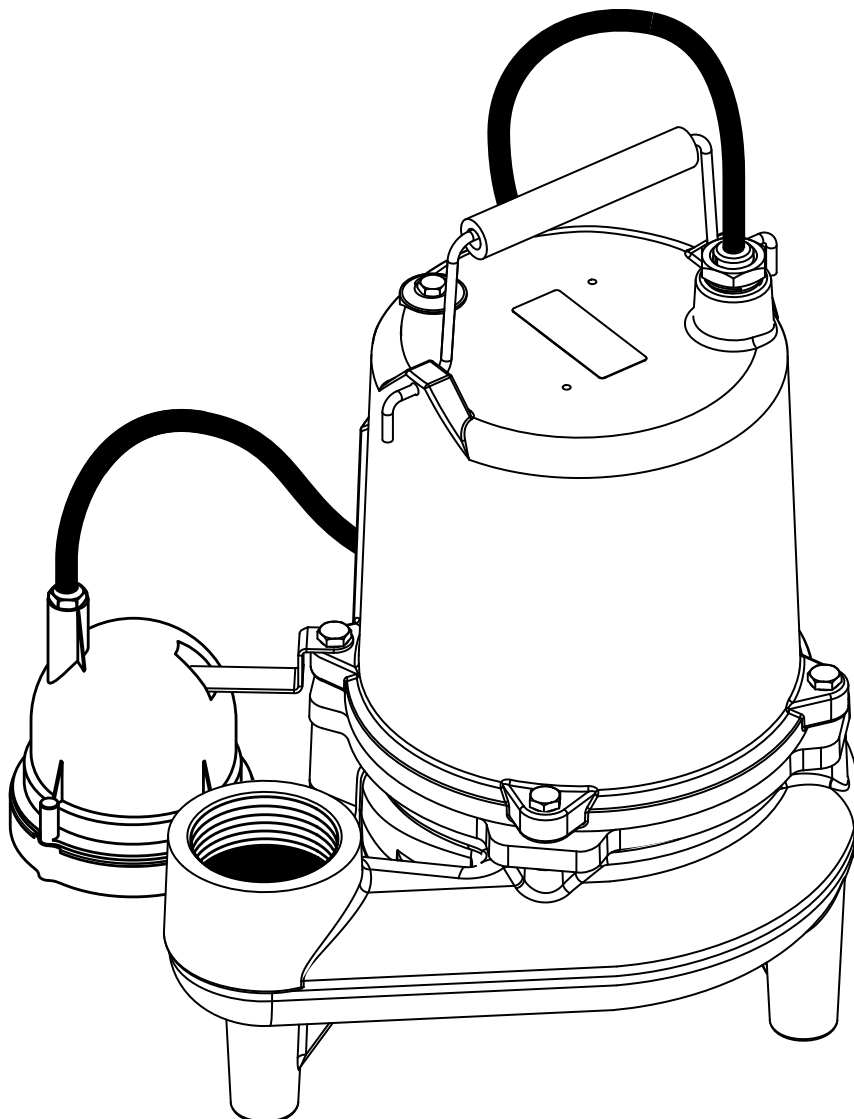
9. *Check the seal.* Remove the rotating portion of seal (6) from shaft by inserting a screwdriver under the edge of the seal and lifting it off. Inspect the seal face for any nicks or an uneven seating of seal face. If any are present, replace the seal.

(See Step 14.)

Full Load Amps:

115 Volt 11 Amps

230 Volt 7.5 Amps



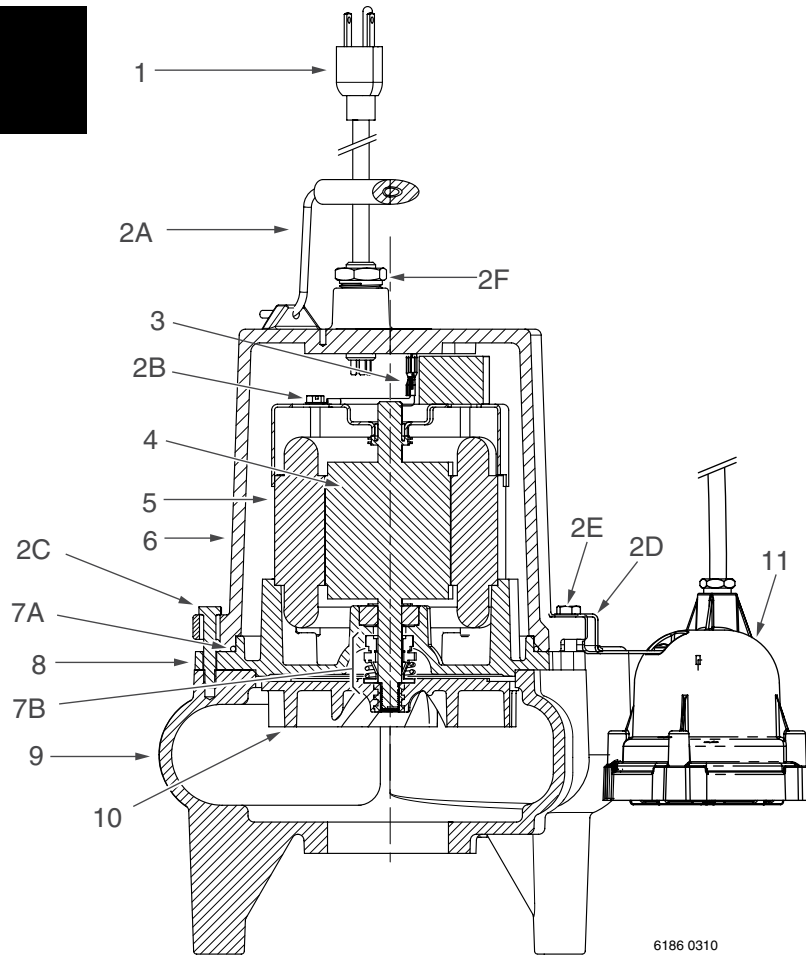
Pump Servicing

10. *Remove rotor and shaft.* Tap the rotor shaft (5) at the impeller end of the shaft with a plastic mallet to remove the rotor and shaft. Inspect the bearings. If they do not rotate freely and smoothly, they should be replaced.
11. *Remove seal.* Remove the old stationary portion of the seal (7) from the seal plate by inserting a screwdriver into the seal housing of the seal plate from the top of the case and tapping lightly with a hammer. Clean the seal area of the seal plate (8) with a clean cloth.
12. *Reinstall the rotor and shaft assembly.* Push on outer face to seat bearing in seal plate.
13. *Reinstall seal.* Apply a good lubricant to the new stationary portion of the seal (7) and press into the seal plate. Coat the new rotating portion of seal with lubricant and press into place on the rotor shaft with the rubber ring facing the impeller.
14. *Reinstall impeller.* Add a drop of Loctite 222 to the shaft and screw the impeller on hand tight. The impeller will force the rotating portion of seal into position.
15. *Replace seal ring.* Remove the old square seal ring from the seal plate and stretch on a new ring coated with O-ring lube.
Do not roll the ring onto the seal plate or improper seating and water leakage into the motor housing will result.
16. *Reinstall the stator.* Place the stator (4) in the seal plate (8) so the stator bolt holes line up. Lay the stator plate on the stator (4) and line up with stator bolt holes. Put in the stator bolts and tighten evenly to prevent cocking of the stator. Connect the capacitor to the capacitor leads. Push the connectors of the two black stator leads onto the power cord spade terminals.
17. *Reassemble pump.* Replace the motor cover (3) on the seal plate (8). Place the assembly on the volute (9). Insert the four cap screws (6) through the motor housing ears, into the tapped holes in the volute. Tighten them evenly to prevent cocking the motor housing and causing an uneven seal on the seal ring.
18. *Oil.* Fill the motor cap with high grade transformer oil just covering over stator end cap (.45 gallon).
Do not fill the motor housing completely – allow airspace for oil expansion. Make sure the stator and capacitor are fully immersed. You will have to peer through the oil plug hole to be sure of the correct oil level.
19. *Reinstall oil pipe plug.* Coat pipe threads with thread sealant before installing. Plug into housing (3).
20. *Check pump.* Plug the power cord into a grounded outlet and start pump by applying pressure to the switch diaphragm (automatic only – manual should start when power is applied). Motor should run smoothly, be free of vibration and stop when pressure is removed from diaphragm switch.
21. *Check for air lock.* Hydromatic pumps have a small air vent hole in the impeller cavity to let out trapped air. If this hole becomes plugged, pump may air lock. To break the air lock, use a small screwdriver to clear hole in the impeller cavity.

As a secondary precaution in installations of this type – 1/16" hole should be drilled in the discharge pipe below the check valve. The check valve should be 12 to 18 inches above pump discharge. Do not put check valve directly into pump discharge opening.

NOTE: In sumps where the pump is operating daily, air locking rarely occurs.

SKV50 Parts List



6186 0310

MODEL – SKV50

Ref. No.	Description	Qty.	Part No.
1	115V Power Cord 10'	1	146230101
1	115V Power Cord 20'	1	146230201
1	230V Power Cord 20'	1	146232201
•	Hardware Kit (Includes Key Nos. 2A through 2F and pipe plug)	1	U30-1024REP
2A	Handle	1	
2B	Stator bolt	4	
2C	1/4-20x1-3/4 Hex Head Cap Screw	4	
2D	Diaphragm Switch Bracket	1	
2E	1/4-20x5/8 Diaphragm Switch Screw	1	
2F	Cord Nut	1	
•	1/4NPTx1/2" Hex Head Pipe plug	1	
3	Ground Wire	1	60000711
4	115V Rotor	1	PS118-1609
4	230V Rotor	1	PS118-1605
5	115V Stator	1	PS118-1603
5	230V Stator	1	PS118-1604
6	Motor Housing	1	PS18-1650
•	Seal Kit (Includes Key Nos 7A, 7B, and Cord Ring Seal)	1	U9-474REP
7A	Motor Cover O-Ring	1	
7B	Mechanical Shaft Seal	1	
•	Cord Ring Seal	1	
8	Seal Plate	1	PS3-1190
9	Volute	1	27612B000
10	Impeller	1	PS5-273P
11	115V 10' Diaphragm Switch*	1	DPS81 10
11	115V 20' Diaphragm Switch*	1	DPS81 20

• Not illustrated

* 230 Volt SKV50 is manual only (no switch available).

Limited Warranty

HYDROMATIC warrants to the original consumer purchaser ("Purchaser" or "You") of HYDROMATIC Sump Pumps, Effluent Pumps, Sewage Pumps (other than 2-1/2"), and Package Systems, that they will be free from defects in material and workmanship for the Warranty Period of 36 months from date of manufacture.

Our warranty will not apply to any product that, in our sole judgement, has been subject to negligence, misapplication, improper installation, or improper maintenance. Without limiting the foregoing, operating a three phase motor with single phase power through a phase converter will void the warranty. Note also that three phase motors must be protected by three-leg, ambient compensated, extra-quick trip overload relays of the recommended size or the warranty is void.

Your only remedy, and HYDROMATIC's only duty, is that HYDROMATIC repair or replace defective products (at HYDROMATIC's choice). You must pay all labor and shipping charges associated with this warranty and must request warranty service through the installing dealer as soon as a problem is discovered. No request for service will be accepted if received after the Warranty Period has expired. This warranty is not transferable.

EXCEPTIONS: Hydromatic Special Application Pumps, Battery Back-Up Sump Pumps, Filtered Effluent Pumps, Grinder Pumps, and 2-1/2" Sewage Pumps are warranted for a period of 12 months from date of purchase or 18 months from date of manufacture, whichever comes first.

HYDROMATIC SHALL NOT BE LIABLE FOR ANY CONSEQUENTIAL, INCIDENTAL, OR CONTINGENT DAMAGES WHATSOEVER.

THE FOREGOING LIMITED WARRANTIES ARE EXCLUSIVE AND IN LIEU OF ALL OTHER EXPRESS AND IMPLIED WARRANTIES, INCLUDING BUT NOT LIMITED TO IMPLIED WARRANTIES OF MERCHANTABILITY AND FITNESS FOR A PARTICULAR PURPOSE. THE FOREGOING LIMITED WARRANTIES SHALL NOT EXTEND BEYOND THE DURATION PROVIDED HEREIN.

Some states do not allow the exclusion or limitation of incidental or consequential damages or limitations on the duration of an implied warranty, so the above limitations or exclusions may not apply to You. This warranty gives You specific legal rights and You may also have other rights which vary from state to state.

This Limited Warranty is effective June 1, 2011 and replaces all undated warranties and warranties dated before June 1, 2011.

HYDROMATIC

293 Wright Street, Delavan, WI 53115

Phone: 888-957-8677 • Fax: 800-426-9446 • Web Site: hydromatic.com