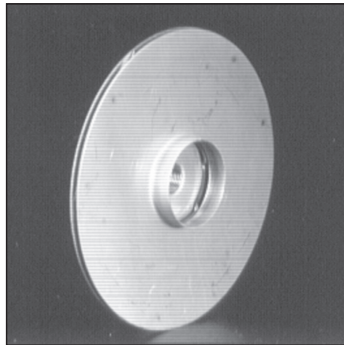
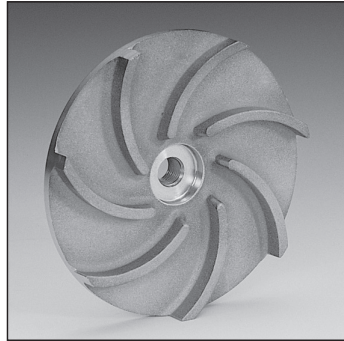


REPAIR PARTS

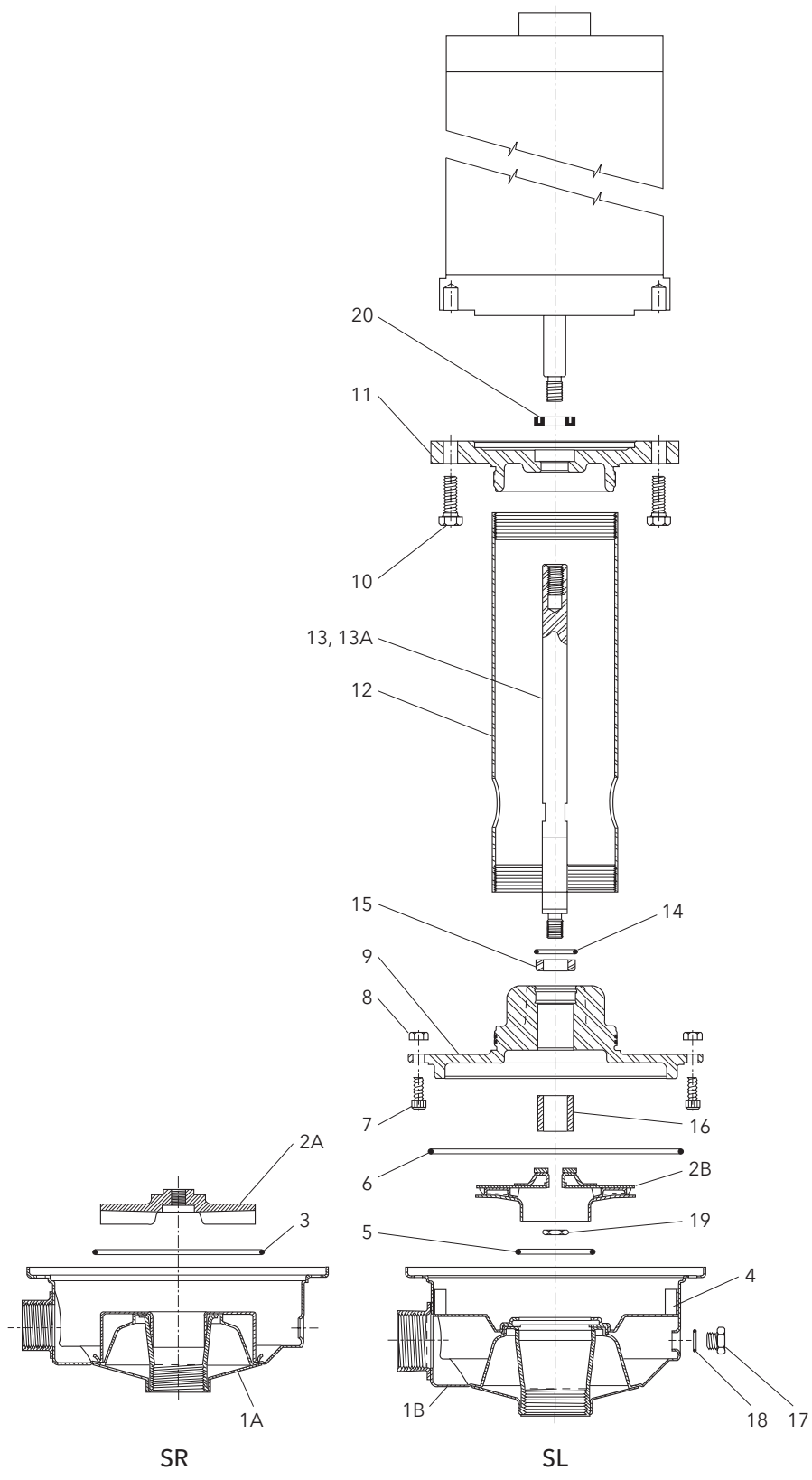
RNPV R3



NPV

VERTICALLY IMMERSSED STAINLESS STEEL END SUCTION PUMP





BILL OF MATERIAL

Item	Description	Material	Quantity	Repair Parts Order No.						
SR ONLY	1A	Casing, pump SR	AISI 304 SS	1	100SR		125SR		150SR	
	2A	Impeller (open)	AISI 316 SS	1	1L499		1L440		1L441	
					2K562 (3.00)		2L710 (3.44)		2L717 (3.75)	
					2K561 (3.25)		2L709 (3.75)		2L716 (4.19)	
					2K560 (3.50)		2L708 (4.06)		2L715 (4.44)	
					2K559 (3.75)		2L707 (4.31)		2L714 (4.62)	
					2K558 (4.00)		2L706 (4.62)		2L713 (4.94)	
					2K557 (4.31)		2L705 (5.06)		2L712 (5.25)	
3A	O-ring, internal casing	Viton	1	5L109		-		-		
3B	O-ring, internal casing	EPR		5K252		-		-		
SL ONLY	1B	Casing, pump SL	AISI 304 SS	1	100SL		125SL		150SL	
	2B	Impeller Kit (closed) includes imp locknut	AISI 304 SS	1	1L81		1L82		1L83	
					Diameter	Part No.	Diameter	Part No.	Diameter	Part No.
					6.12	2K1203	6.12	2K1391	5.12	2K1401
					5.75	2K1202	5.94	2K1392	5	2K1402
					5.19	2K1201	5.75	2K1393	4.75	2K1403
					4.75	2K1200	5.34	2K1394	4.5	2K1404
					4.44	2K1199	5.06	2K1395	4.38	2K1405
					4.06	2K1211	4.88	2K1396	4	2K1406
							4.63	2K1397	3.63	2K1407
		4.25	2K1398							
		4	2K1399							
4	Guidevane	AISI 304 SS	1	3L23		3L24		3L25		
5A	O-ring, impeller	Viton	1	5L75		5L76		5L76		
5B	O-ring, impeller	EPR		5L81		5L82		5L82		
6A	O-ring, casing	Viton	1			5K206				
6B	O-ring, casing	EPR				5K193				
7	¼ - 20NC - 2A x .50 long socket head cap screw	AISI 304 SS	8			13K268				
8	¼ - 20NC hex nut	AISI 304 SS	8			13K269				
9	Pump mounting plate	AISI 303 SS	1			1L502				
10	⅜ - 16NC - 2A x 1.0 long hex head bolt	Plated Steel	4			13K80				
11	Motor mounting plate	Cast Iron	1			1L503				
12	Tube, support, 14 inch	AISI 304 SS	1			6K117				
	Tube, support, 24 inch					6K123				
13	Shaft, 14 inch	AISI 304 SS	1			4K417				
	Shaft, 24 inch					4K428				
13A	Shaft, 14 inch	AISI 304 SS	1			4K441				
	Shaft, 24 inch	Ceramic Coated				4K443				
14	Snap ring	Stainless Steel	1			4K419				
15	Bushing	Nitronic 60 Stainless	1			4K416				
16	Bearing	Viton	1			7K474				
		Carbon (CTI 25)				4K418				
		EPR				7K1743				
17	Plug, drain and vent	AISI 304 SS	2			6L3				
18A	O-ring, drain and vent plug	Viton	1			5L99				
18B	O-ring, drain and vent plug	EPR				5L80				
19	Impeller locknut	300 Series SS	1	13K286 for SR models, 13K415 for SL models						
20	Seal, u-cup	Teflon	1	10K73						

Xylem |'zīləm|

- 1) The tissue in plants that brings water upward from the roots;
- 2) a leading global water technology company.

We're a global team unified in a common purpose: creating advanced technology solutions to the world's water challenges. Developing new technologies that will improve the way water is used, conserved, and re-used in the future is central to our work. Our products and services move, treat, analyze, monitor and return water to the environment, in public utility, industrial, residential and commercial building services settings. Xylem also provides a leading portfolio of smart metering, network technologies and advanced analytics solutions for water, electric and gas utilities. In more than 150 countries, we have strong, long-standing relationships with customers who know us for our powerful combination of leading product brands and applications expertise with a strong focus on developing comprehensive, sustainable solutions.

For more information on how Xylem can help you, go to www.xylem.com



Xylem Inc.
2881 East Bayard Street Ext., Suite A
Seneca Falls, NY 13148
Phone: (866) 673-0445
Fax: (888) 322-5877
www.xylem.com/goulds

Goulds is a registered trademark of Goulds Pumps, Inc. and is used under license.
© 2021 Xylem Inc. RNPV R3 June 2021