

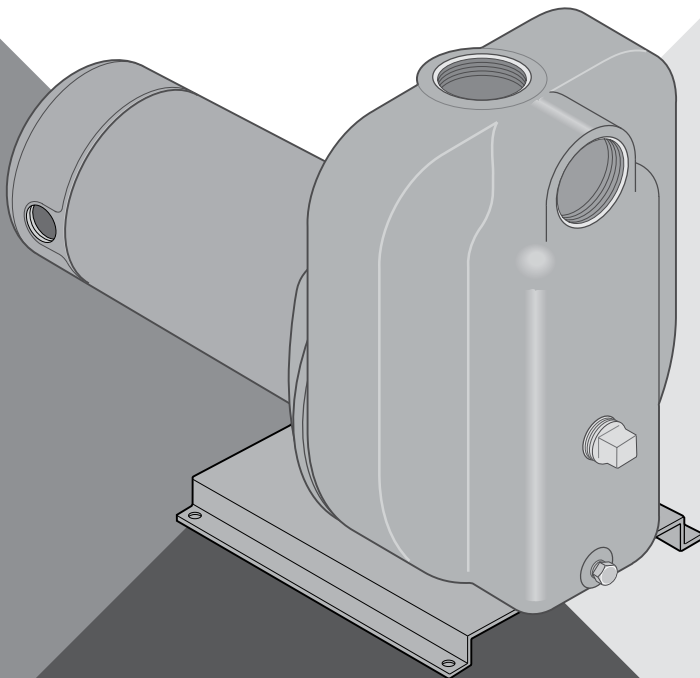


PENTAIR STA-RITE

DS2 SERIES SELF-PRIMING CENTRIFUGAL PUMP

DS2HE ♦ DS2HF ♦ DS2HG ♦ DS2HHG

ENGLISH: 1-13 ♦ ESPAÑOL: 14-27 ♦ FRANÇAIS: 28-40



INSTALLATION AND OPERATION MANUAL

pentair.com

TABLE OF CONTENTS:

SECTION.....	PAGE
Safety Infomation.....	3
Installation.....	4-5
Electrical Installation.....	6
Operations.....	7
Maintenance.....	8-9
Repair Parts.....	10-11
Troubleshooting.....	12
Warrenty.....	13

SECCIÓN.....	PÁGINA
Información de seguridad	15
Instalación	16-18
Instalación eléctrica.....	19
Operaciones	20
Mantenimiento	21-22
Piezas de repuesto	23-24
Solución de problemas	25
Garantía.....	26

SECTION.....	PAGE
Consignes de sécurité.....	29
Installation.....	30-31
Installation électrique.....	32
Opérations.....	33
Entretien.....	34-35
Pièces de rechange.....	36-37
Résolution des problèmes.....	38
Garantie.....	39

SAFETY INFORMATION

Carefully read and follow all safety instructions in this manual or on pump. Keep safety labels in good condition. Replace missing or damaged safety labels.

⚠ This is the safety alert symbol. When you see this symbol on your pump or in this manual, look for one of the following signal words and be alert to the potential for personal injury.

⚠ DANGER warns about hazards that will cause serious personal injury, death or major property damage if ignored.

⚠ WARNING warns about hazards that can cause serious personal injury, death or major property damage if ignored.

NOTICE indicates special instructions which are important but not related to hazards.

CALIFORNIA PROPOSITION 65 WARNING

⚠ WARNING This product and related accessories contain chemicals known to the State of California to cause cancer, birth defects or other reproductive harm.


ELECTRICAL SAFETY

⚠ Wire motor for correct voltage. See “Electrical” section of this manual and motor nameplate.


⚠ Ground motor before connecting to power supply.

⚠ Meet National Electrical Code, Canadian Electrical Code, and local codes for all wiring.

⚠ Follow wiring instructions in this manual when connecting motor to power lines.

⚠ WARNING	
	Hazardous voltage. Can shock, burn, or cause death. Ground pump before connecting to power supply.

GENERAL SAFETY

⚠ WARNING	
	Hazardous pressure! Install pressure relief valve in discharge pipe. Release all pressure on system before working on any component.

⚠ WARNING Do not touch an operating motor. Modern motors can operate at high temperatures. To avoid burns when servicing pump, allow it to cool for 20 minutes after shut-down before handling.

- Pump is designed as a lawn sprinkler only. To avoid heat buildup, over-pressure hazard, and possible injury, do not use in a pressure tank (domestic water) system. Do not use as a booster pump; pressurized suction may cause pump body to explode.
- Do not allow pump or piping system to freeze. Freezing can damage pump and pipe, may lead to injury from equipment failure, and will void warranty.
- Pump only water with this unit.
- Periodically inspect pump and system components.
- Wear safety glasses at all times when working on pumps.
- Keep work area clean, uncluttered and properly lighted; properly store all unused tools and equipment.
- Keep visitors at a safe distance from the work areas.
- Make workshops childproof; use padlocks and master switches; remove starter keys.

INSTALLATION

PRIOR TO PUMP INSTALLATION

- The well must not be more than 20 foot depth to water.
- Long runs and many fittings increase friction and reduce flow. Locate pump as close to the well as possible, using use as few elbows and fittings as possible.
- Ensure the well is clear of sand. Sand will clog the pump and void the warranty.
- Protect pump and all piping from freezing. Freezing will split pipe, damage pump and void the warranty. Check local frost protection requirement. Usually piping must be 12" below frost line and the pump must be insulated.
- Be sure all pipes and the foot valve are clean and in good shape.
- Ensure there are no air pockets or leaks in suction pipe. Use PTEE pipe thread sealant tape to seal pipe joints.
- Unions installed near the well and pump aid in servicing. Make sure to leave room for use of wrenches.

⚠ WARNING Pump body may explode if used as a booster pump. DO NOT use in a booster application.

WELL PIPE INSTALLATION

Use the installation method below that matches your well type.

CASED WELL INSTALLATION

1. Inspect foot valve to be sure it works freely. Inspect strainer to be sure it is clean.
2. Connect foot valve and strainer to the first length of suction pipe and lower pipe into well. Add sections of pipe as needed, using PTFE pipe thread sealant tape on male threads. Be sure that all suction pipe is leakproof or pump will lose prime and fail to pump.
3. Install foot valve 10 to 20 feet below the lowest level to which water will drop while pump is operating (pumping water level). Your well driller can furnish this information.
 - To prevent sand and sediment from entering the pumping system, the foot valve/strainer should be at least 5 feet above the bottom of the well.
4. When the proper depth is reached, install a sanitary well seal over the pipe and in the well casing. Tighten the bolts to seal the casing.
5. When using a foot valve, a priming tee and plug are recommended (Figure 1).

DUG WELL INSTALLATION

Follow the same instructions as outlined in Cased Well Installation.

DRIVEN WELL POINT INSTALLATION

1. Connect the suction pipe to the drive point (Figure 2). Keep horizontal pipe run as short as possible. Use PTFE pipe thread sealant tape on male pipe threads. Multiple well points may be necessary to provide sufficient water to pump.
2. Install a check valve in horizontal pipe. Ensure the check valve's flow arrow point toward the pump.

HORIZONTAL PIPING FROM WELL TO PUMP INSTALLATION

1. Never install a suction pipe that is smaller than the suction port of the pump.
2. To aid priming with well point installations, install a check valve as shown in Figure 2. Ensure the check valve's flow arrow point toward the pump.

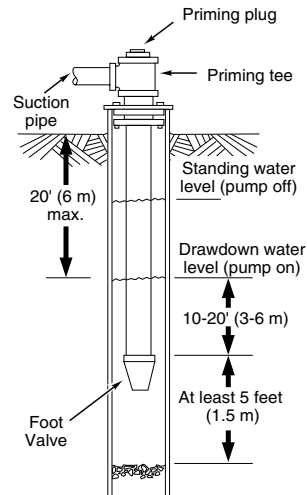


Figure 1 – Cased/Dug Well Installation

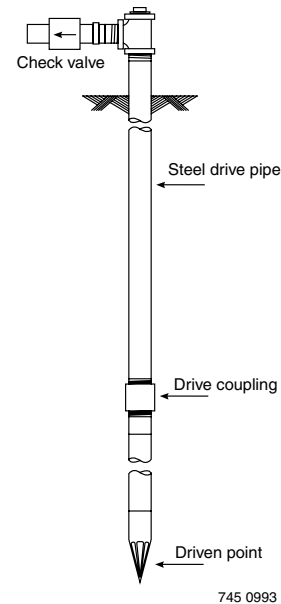


Figure 2 – Driven Point Installation

DISCHARGE PIPE SIZES

1. If increasing discharge pipe size, install reducer in pump discharge port. Do not increase pipe size by stages.
2. When the pump is set away from the points of water use, the discharge pipe size should be increased to reduce pressure losses caused by friction.
 - Up to 100' run: Same size as pump discharge port.
 - 100' to 300' run: Increase one pipe size.
 - 300' to 600' run: Increase two pipe sizes.

INSTALLATION

LAWN SPRINKLING APPLICATION

This pump is designed for a pond, cistern or well points. Pump discharge can be divided to supply two (2) or more sprinkler systems. A suggested multiple discharge to service is shown in Figure 3.

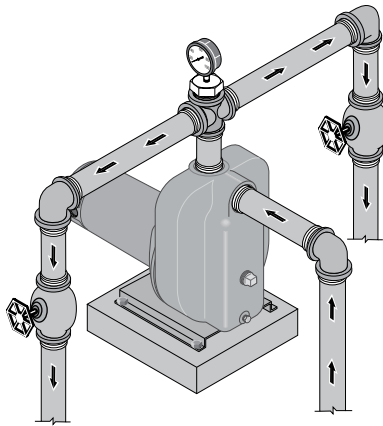


Figure 3 - Multiple Discharge

PUMP/PIPING INSTALLATION

Use only PTFE pipe thread sealant tape for making all threaded connections to the pump itself. Do not use pipe joint compounds on plastic pumps: they can react with the plastic in the pump components.

Make sure that all pipe joints in the suction pipe are air tight as well as water tight. If the suction pipe can suck air, the pump will not be able to pull water from the well.

1. Bolt pump to solid, level foundation.
2. Support all piping connected to the pump.
 - Install pump as close to well head as possible. Long piping runs and many fittings create friction and reduce flow.
3. Wrap 1-1/2 to 2 layers of PTFE pipe thread sealant tape clockwise (as you face end of pipe) on all male threads being attached to pump.

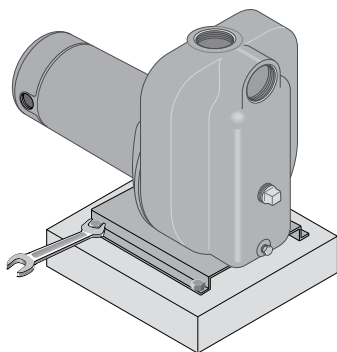


Figure 4 - Bolt Pump Down

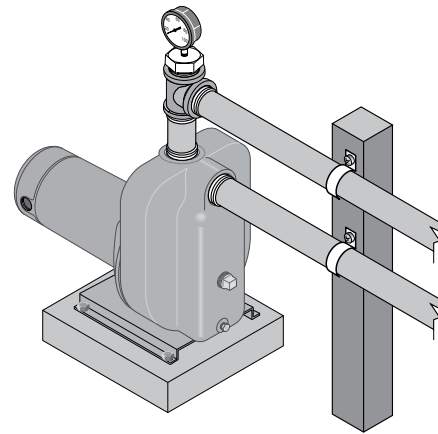
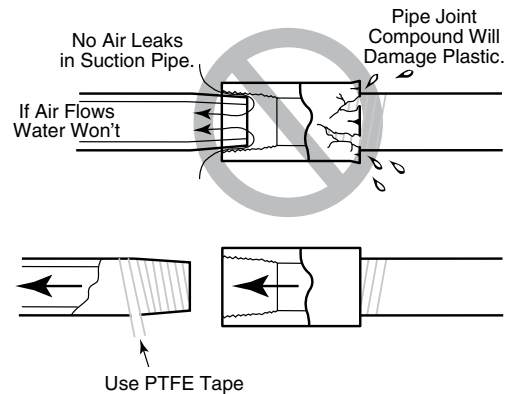
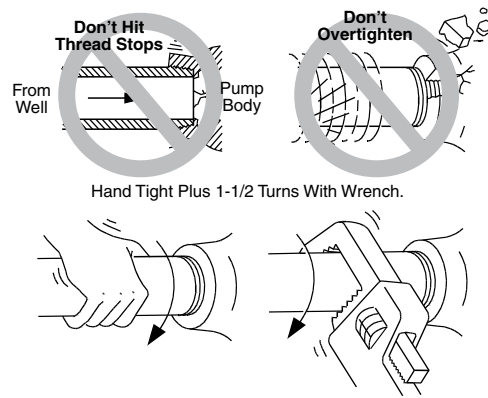


Figure 5 - Independently Support All Piping Attached to Pump

4. Tighten joints hand tight plus 1-1/2 turns. Do not overtighten.
5. If long, horizontal pipe runs have to be used, install a priming tee between the check valve and the well head (Figure 1). Use schedule 80 or iron pipe.



1102 0697



748 0993

ELECTRICAL INSTALLATION

WIRING

Install, ground, wire and maintain this pump in accordance with electrical code requirements. Consult your local building inspector for information about codes. Read and follow all warnings below.

- ⚠ WARNING** Hazardous voltage. Can shock, burn, or cause death. Disconnect power to motor before working on pump or motor. Ground motor before connecting to power supply.
- ⚠** To avoid dangerous or fatal electrical shock, turn OFF power to motor before working on electrical connections.
- ⚠** Supply voltage must be within $\pm 10\%$ of nameplate voltage. Incorrect voltage can cause fire or damage motor and voids warranty. If in doubt consult a licensed electrician.
- ⚠** Use wire size specified in this manual's Wiring Chart.
- ⚠** Wire motor according to diagram on motor nameplate. If nameplate diagram differs from this manual's diagrams, follow nameplate diagram.

1. Provide a correctly fused disconnect switch for protection while working on motor. Consult local or national electrical codes for switch requirements*.
2. Disconnect power before servicing motor or pump. If the disconnect switch is out of sight of pump, lock it open and tag it to prevent unexpected power application.
3. Ground the pump permanently using a wire of the same size as specified in this manual's Wiring Chart. Make ground connection to green grounding terminal under motor canopy marked GRD. or .
4. Connect ground wire to a grounded lead in the service panel or to a metal underground water pipe or well casing at least 10 feet long. Do not connect to plastic pipe or insulated fittings.
 - ⚠** Do not ground to a gas supply line
5. Protect current carrying and grounding conductors from cuts, grease, heat, oil, and chemicals.
6. Motor has automatic internal thermal overload protection. If motor has stopped for unknown reasons, thermal overload may restart it unexpectedly, which could cause

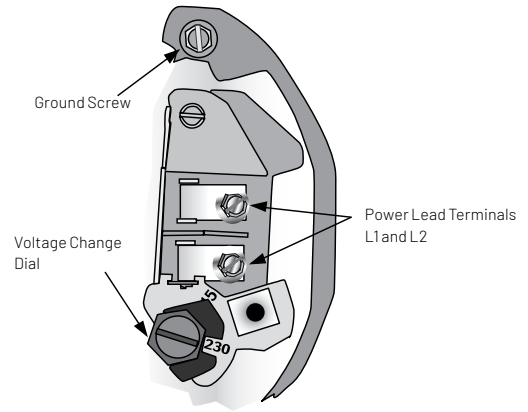


Figure 9: Voltage set to 230 volt current. Rotary selector

injury or property damage. Disconnect power before servicing motor.

7. If this procedure or the wiring diagram are confusing, consult a licensed electrician
 - Refer to Figure 9 for wiring configuration.
 - Connect current-carrying conductors to terminals L1 and L2. When replacing the motor, check wiring diagram on the motor nameplate. For 3-phase motors or motor's whose wiring diagram does not match Figure 9, follow the diagram on the motor.

115 VOLT USAGE CONFIGURATION

115/230 volt, single phase models are configured at the factory for 230 volt usage.

If power supply will be 115 volts:

1. Ensure power is off.
2. Remove motor cover.
3. Using a screwdriver or 1/2" wrench, turn the voltage selector dial counter-clockwise to the 115 volt setting.
4. Replace motor cover.

WIRING CHART RECOMMENDED WIRE AND FUSE SIZES

Pump Model	HP	Max. Load Amps	Volts/Ph	Hz	Branch Fuse* Rating* Amps	DISTANCE IN FEET (METERS) FROM MOTOR TO SUPPLY			
						0' - 50'	51' - 100'	101' - 200'	201' - 300'
						WIRE SIZE (AWG)			
DS2HE	1	14.8/7.4	115/230/1	60	20/15	12/14	12/14	8/14	6/14
DS2HE3	1	3.6/1.8	230/460/3	60	15/1	14/14	14/14	14/14	14/14
DS2HF3	1-1/2	4.7/2.35	230/460/3	60	15/15	10/14	10/14	8/14	6/12
DS2HF3	1-1/2	4.7/2.35	230/460/3	60	15/15	14/14	14/14	14/14	14/14
DS2HG	2	24.0/12.0	115/230/1	60	30/15	12/14	10/14	6/14	6/12
DS2HG3	2	5.8/2.9	230/460/3	60	15/15	14/14	14/14	14/14	14/14
DS2HHG	2-1/2	24/12	115/230/1	60	30/15	12/14	10/14	6/14	6/12
DS2HHG3	2-1/2	6.9/3.45	230/460/3	60	15/15	14/14	14/14	14/14	14/14

(*) Dual element or Fusetron time delay fuses recommended for all motor circuits.

OPERATIONS

PRIMING THE PUMP

Priming refers to the pump expelling all air in the system and beginning to move water from its source out into the system. It does not refer only to pouring water into the pump (although pouring water in is usually the first step).

1. Make sure suction and discharge valves and any hoses on discharge side of pump are open.
2. Remove priming plug. Fill pump and suction pipe with water (Figure 10). **NEVER** run pump dry. Running pump without water in it will damage seals and can melt impeller and diffuser. Be sure discharge (valve, pistol grip hose nozzle, etc.) is open whenever pump is running.
 - If a priming tee and plug have been provided for a long horizontal run, be sure to fill suction pipe through this tee and replace plug. Remember to tape the plug.
 - Replacing the existing priming plug with one that has a pressure gauge and reducer bushing mounted in it will make troubleshooting pump performance easier.
3. Start pump. Water should be produced in 10 minutes or less. The time depends on the well's depth to water and the length of horizontal run. If no water is produced within 10 mins., stop pump, release all pressure, remove priming plug, refill, and try again.

⚠ WARNING Hazardous pressure and risk of explosion and scalding. If pump is run continuously at no flow (that is, with discharge shut off or without priming), water may boil in pump and piping system. Under steam pressure, pipes may rupture, blow off of fittings or blow out of pump ports and scald anyone near.

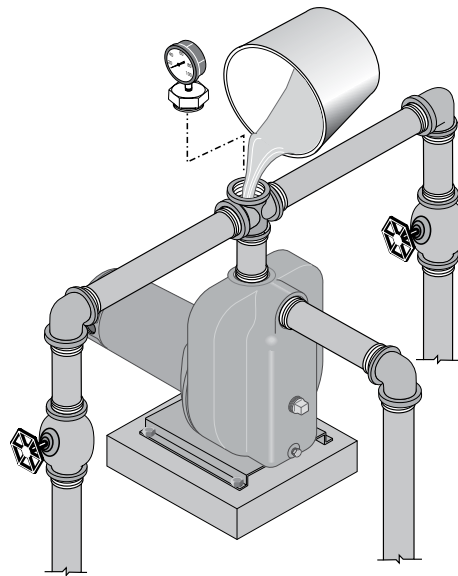


Figure 10 – Remove Priming Plug and Fill Pump Before Starting

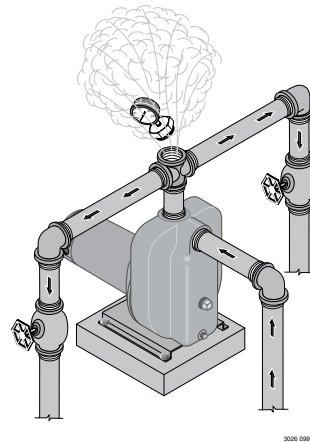


Figure 12 – Do Not Run Pump with Discharge Shut-off.

MAINTENANCE

The pump and piping do not need to be disconnected to repair or replace the motor or seal.

If motor is replaced, a new shaft seal must be installed. Keep an extra shaft seal on hand for future needs.

Check motor label for lubrication instructions. The mechanical shaft seal in the pump is water lubricated and self-adjusting.

PUMP DISASSEMBLY

Drain pump when disconnecting from service or when it might freeze.

1. Disconnect power to motor.
2. Mark wires for correct assembly.
3. Release all water pressure from system.
4. Remove drain plug and drain pump.
5. Remove capscrews holding seal plate to pump body. Motor assembly and seal plate can now be pulled away from pump body (Figure 14).
6. CAREFULLY remove gasket.

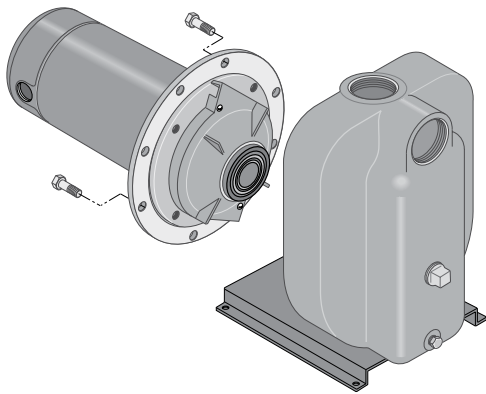


Figure 14 – Slide Motor Back

CLEANING/REPLACING IMPELLER

1. Follow instructions under "Pump Disassembly".
2. Remove screws fastening the diffuser to the seal plate.

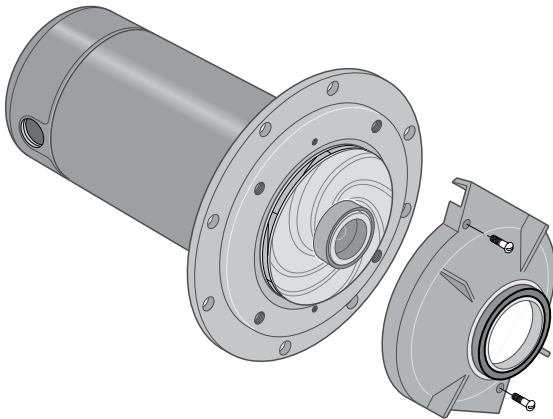


Figure 15 – Remove Diffuser

3028 0997

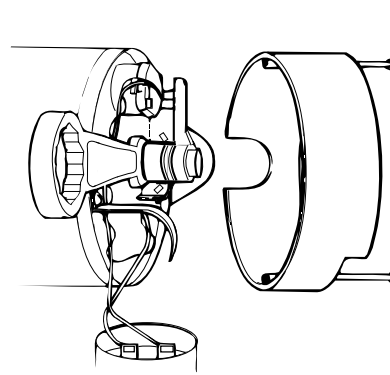
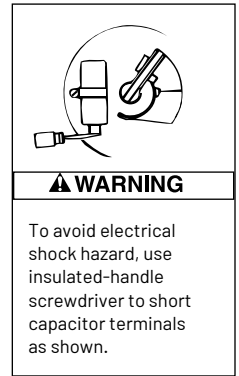


Figure 16 – Hold Shaft



739 0993

3. Remove diffuser (Figure 15). The exposed impeller can now be cleaned.
4. If impeller must be replaced, loosen two machine screws and remove motor canopy (Figure 16).
5. **⚠ WARNING Capacitor voltage may be hazardous.** To discharge capacitor, hold insulated handle screwdriver **BY THE HANDLE** and short capacitor terminals together (Figure 16). Do not touch metal screwdriver blade or capacitor terminals. If in doubt, consult a qualified electrician.
6. Unscrew capacitor clamp and remove capacitor. Do not disconnect capacitor wires to motor.
7. Slide a 7/16" open-end wrench behind the spring-loaded switch on the motor end of the shaft.

Hold motor shaft with wrench on shaft flats and unscrew impeller screw (if used) by turning clockwise (left hand thread) when looking into eye of impeller.

8. Unscrew impeller while holding shaft by turning counterclockwise while looking into eye of impeller.
9. To reinstall, reverse steps 1 through 6 and follow directions in the "Pump Reassembly" section below.

REMOVING OLD SEAL

1. Follow instructions under "Pump Disassembly".
2. Follow steps 2 through 5 under "Cleaning/Replacing Impeller".

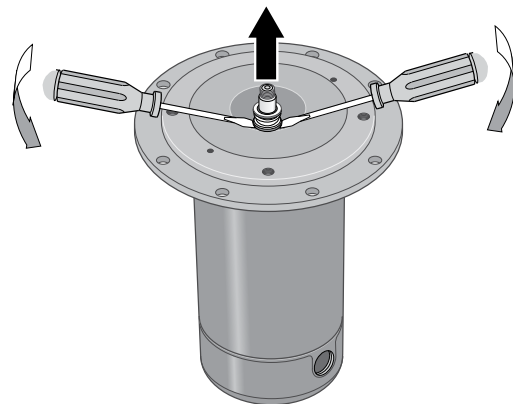


Figure 17 – Remove Seal plate

3029 0997

MAINTENANCE

3. Remove rotating half of seal by placing two screwdrivers under seal ring and **carefully** prying up (Figure 17).
4. Remove nuts from studs holding seal plate to motor. Carefully slide seal plate off of shaft.
NOTICE: Be sure you do not scratch or mar shaft. If shaft is marred, it must be dressed smooth with fine emery or crocus cloth before installing new seal. DO NOT reduce shaft diameter!
5. Place seal plate half face down on flat surface and tap out stationary half of seal (Figure 18).

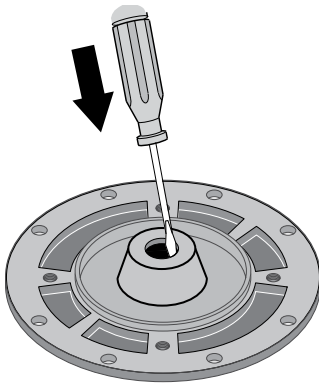


Figure 18 - Tap Out Seal

INSTALLING NEW SEAL

Gaskets and o-rings are not interchangeable per models. Make sure to install the type of gasket or o-ring you removed.

1. Clean seal cavity in seal plate.
2. Sparingly wet outer edge of rubber cup on ceramic seat with liquid soap.
3. Put clean cardboard washer on seal face. The ceramic seal's polished face should be facing up. Firmly and squarely, press ceramic seal into cavity using only hand pressure.
4. If seal will not seat correctly:
 - Remove seal, placing polished side up on bench. Re-clean cavity and install as outlined in previous step.
 - If seal still does not seat properly after re-cleaning the cavity, place a cardboard washer over polished seal face and carefully press into place using a piece of standard 3/4 inch pipe as a press being careful not to scratch seal face."
5. Dispose of cardboard washer and recheck seal face to be sure it is free of dirt, foreign particles, scratches and grease.
6. Inspect shaft to be sure it is free of nicks and scratches.
7. Reassemble pump body half to motor flange. **BE SURE** it is right side up.
8. Apply liquid soap sparingly (one drop is sufficient) to inside diameter of rotating seal member.
9. Slide rotating seal member (carbon face first) onto shaft until rubber drive ring hits shaft shoulder.

NOTICE: Be sure not to nick or scratch carbon face of seal when passing it over threaded shaft end or shaft shoulder. The carbon surface must remain clean or short seal life will result.

10. Hold motor shaft with 7/16" open end wrench on shaft flats and screw impeller onto shaft. **Be sure you do not touch capacitor terminals with body or any metal object.** Tightening impeller will automatically locate seal

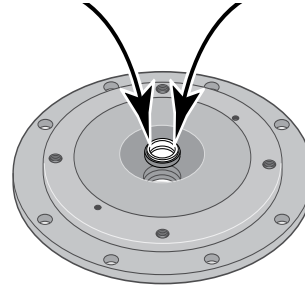


Figure 19 - Press in New Seal

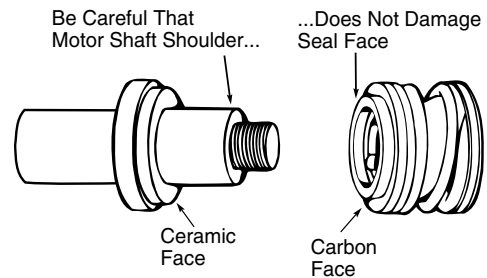


Figure 20 - Protect Seal Faces

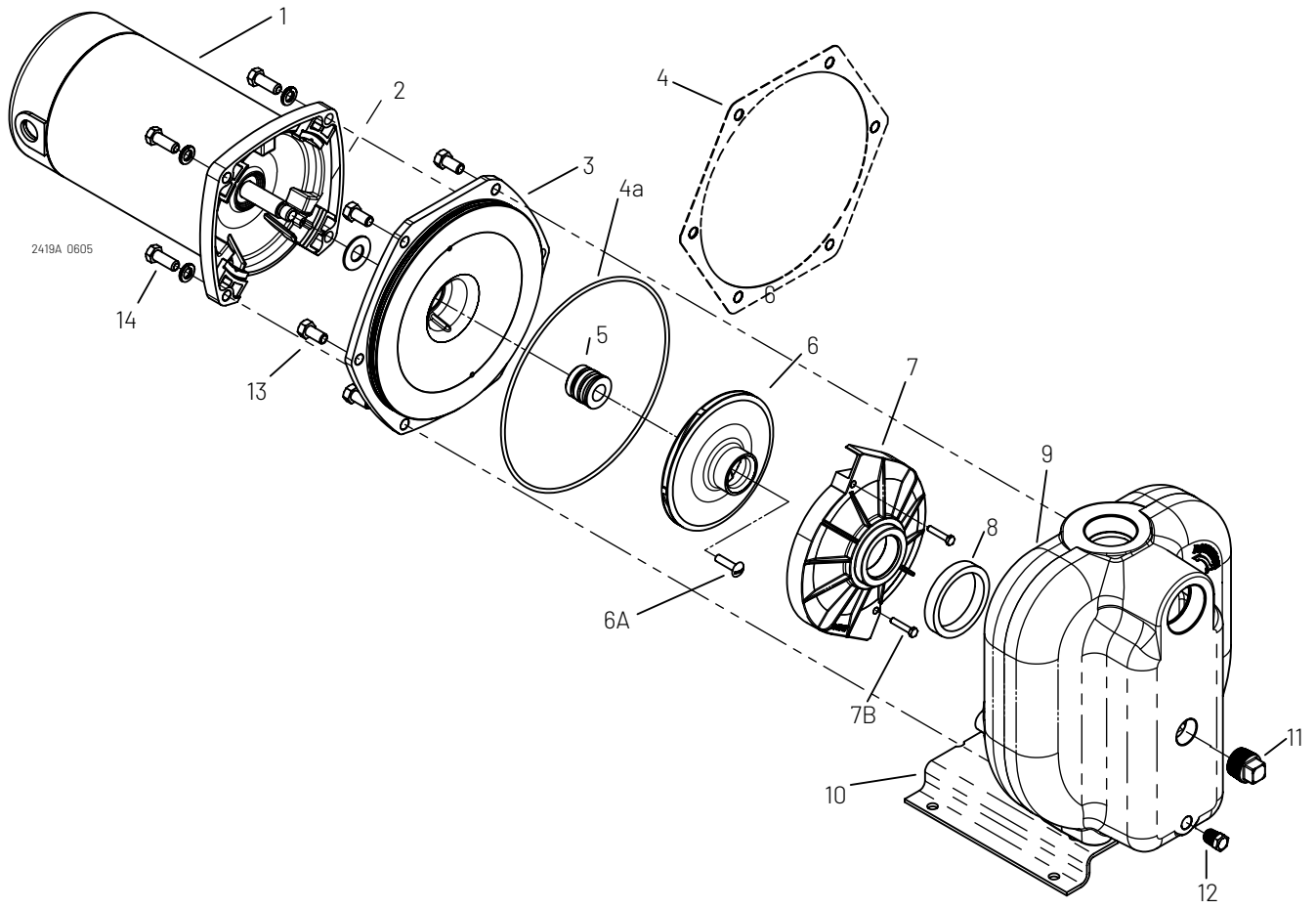
in correct position.

11. Replace impeller screw (if used) by turning counterclockwise (left-hand thread) into end of shaft.
12. Remount diffuser on seal plate with two screws.
13. Follow instructions under "Pump Reassembly".

PUMP REASSEMBLY

1. Clean gasket or o-ring surfaces on both the pump body and the seal plate. Install new gasket or o-ring per "Installing New Seal" instructions.
2. Slide motor/seal plate assembly into pump body. Secure with capscrews.
3. Replace base mounting bolts.
4. Replace motor wiring; close draincock.
5. Prime pump according to instructions. See "Operation."
6. Check for leaks.

REPAIR PARTS



2419A 0605

REPAIR PARTS

Key No.	Part Description	MODEL NUMBER			
		DS2HE-191PL DS2HE3-191P 1 HP	DS2HF-191PL DS2HE3-192P 1-1.2 HP	DS2HE-102L DS2HE3-102 2 HP	DS2HHG-53L DS2HHG3-53 2-1/2 HP
1	Motor, 115/230V, 1 Phase	A100ELL	A100FLL	–	–
1	Motor, 230V, 1 Phase	–	–	A100GSL	AE100G5LL
1	Motor, 230/460V, 3 Phase	AP100EL	AP100FL	AP100GL	AP100G5L
2	Water Slinger	17351-0009	17351-0009	17351-0009	17351-0009
3	Seal Plate	C3-155	C3-155	C3-117	C3-117
4	Gasket - Seal Plate	C20-86	C20-86	C20-87	C20-87
4A	O-Ring	-	25276	34516	-
5	Shaft Seal	U109-6A	U109-6A	U109-6A	U109-6A
6	Impeller	C105-92PKB	C105-92PCB	C105-214PDA	C105-214PA
6A	Impeller Screw (1 Phase)	–	–	C30-14SS	C30-14SS
6A	Impeller Screw (3 Phase)	C30-14SS	C30-14SS	C30-14SS	C30-14SS
7	Diffuser	C101-276P	C101-276P	C101-182	C101-182
7B	Screw 1/4-20 x1" Lg.(2)	U30-696SS	U30-696SS	–	–
7B	Machine screw 8-32x7/8" Lg. (2)	–	–	U30-53SS	U30-53SS
8	Diffuser Ring	C21-10	C21-10	C21-2	C21-2
9	Pump Body Assembly	C176-49B	C176-49B	C76-50	C76-50
10	Base	U4-5	U4-5	U4-5	U4-5
11	Pipe Plug 3/4" NPT - Sq. Hd.	U78-60ZPS	U78-60ZPS	U78-60ZPS	U78-60ZPS
12	Plug 1/4" NPT Hex. Hd.	U78-941ZPV	U78-941ZPV	U78-941ZPV	U78-941ZPV
13	Capscrew 3/8-16x3/4" Lg.(6)	U30-72ZP	U30-72ZP	–	–
13	Capscrew 5/16-18x3/4" Lg.(8)	–	–	U30-60ZP	U30-60ZP
14	3/8-16x1" Capscrew (4)	U30-74ZP	U30-74ZP	U30-74ZP	U30-74ZP**
•	Lockwasher 3/8" (4)	U43-12ZP	U43-12ZP	–	–
•	Lockwasher - 3/8" (2)	U43-12ZP	U43-12ZP	U43-12ZP	U43-12ZP
•	Capscrew 3/8-16x5/8" Lg (2)	U30-71ZP	U30-71ZP	U30-71ZP	U30-71ZP

• Not illustrated

** Model DSHHG-53L uses U30-99S.

NOTE: Quantity is one unless otherwise noted in parenthesis ().

TROUBLESHOOTING CHART

Symptom	Possible Cause(S)	Corrective Action
Motor will not run	Disconnect switch is off	Be sure switch is on
	Fuse is blown	Replace fuse
	Starting switch is defective	Replace starting switch
	Wires at motor are loose, disconnected, or wired incorrectly	Refer to instructions on wiring. Check and tighten all wiring. ⚠ WARNING Capacitor voltage may be hazardous. To discharge capacitor, hold insulated handle screwdriver BY THE HANDLE and short capacitor terminals together. Do not touch metal screwdriver blade or capacitor terminals. If in doubt, consult a qualified electrician.
Motor runs hot and overload kicks off	Motor is wired incorrectly	Refer to wiring instructions
	Voltage is too low	Check with power company. Install heavier wiring if wire size is too small (See Electrical section of this manual)
Motor runs but no water is delivered	Pump in new installation did not pick up prime through: 1. Check prime before looking for other causes. 2. Improper priming 3. Air leaks 4. Leaking foot valve	In new installation: 1. Unscrew priming plug and make sure there is water in pump case 2. Re-prime according to instructions 3. Check all connections on suction line 4. Replace foot valve
	Pump has lost prime through: 1. Check prime before looking for other causes. 2. Air leaks 3. Water level below suction of pump	In installation already in use: 1. Unscrew priming plug and make sure there is water in pump case 2. Check all connections on suction line and shaft seal 3. Lower suction line into water and re-prime. If receding water level in well exceeds suction lift, a deep well pump is needed
	Impeller is plugged	Clean impeller as per Cleaning/replacing Impeller procedures.
	Check valve or foot valve is stuck in closed position	Replace check valve or foot valve
	Pipes are frozen	Thaw pipes. Bury pipes below frost line. Heat pit or pump house
	Foot valve and/or strainer are buried in sand or mud	Raise foot valve and/or strainer above well bottom
Pump does not deliver water to full capacity	Leaking foot valve is causing lose of priming	Replace foot valve
	Water level in well is greater than 25 feet below suction of pump	A deep well jet pump may be needed
	Steel piping (if used) is corroded or limed, causing excess friction	Replace with plastic pipe where possible, otherwise with new steel pipe
	Offset piping is too small in size	Use larger offset piping

WARRANTY

STA-RITE* warrants to the original consumer purchaser ("Purchaser" or "You") of the products listed below, that they will be free from defects in material and workmanship for the Warranty Period shown below.

Product	Warranty Period
Water Systems Products – jet pumps, small centrifugal pumps, submersible pumps and related accessories	whichever occurs first: 12 months from date of original installation, or 18 months from date of manufacture
Pro-Source™ Composite Tanks	5 years from date of original installation
Pro-Source™ Steel Pressure Tanks	5 years from date of original installation
Pro-Source™ Epoxy-Lined Tanks	3 years from date of original installation
Sump/Sewage/Effluent Products	12 months from date of original installation, or 18 months from date of manufacture

Our warranty will not apply to any product that, in our sole judgement, has been subject to negligence, misapplication, improper installation, or improper maintenance. Without limiting the foregoing, operating a three phase motor with single phase power through a phase converter will void the warranty. Note also that three phase motors must be protected by three-leg, ambient compensated, extra-quick trip overload relays of the recommended size or the warranty is void.

Your only remedy, and STA-RITE's only duty, is that STA-RITE repair or replace defective products (at STA-RITE's choice). You must pay all labor and shipping charges associated with this warranty and must request warranty service through the installing dealer as soon as a problem is discovered. No request for service will be accepted if received after the Warranty Period has expired. This warranty is not transferable.

STA-RITE SHALL NOT BE LIABLE FOR ANY CONSEQUENTIAL, INCIDENTAL, OR CONTINGENT DAMAGES WHATSOEVER. THE FOREGOING WARRANTIES ARE EXCLUSIVE AND IN LIEU OF ALL OTHER EXPRESS AND IMPLIED WARRANTIES, INCLUDING BUT NOT LIMITED TO THE IMPLIED WARRANTIES OF MERCHANTABILITY AND FITNESS FOR A PARTICULAR PURPOSE. THE FOREGOING WARRANTIES SHALL NOT EXTEND BEYOND THE DURATION EXPRESSLY PROVIDED HEREIN.

Some states do not allow the exclusion or limitation of incidental or consequential damages or limitations on the duration of an implied warranty, so the above limitations or exclusions may not apply to You. This warranty gives You specific legal rights and You may also have other rights which vary from state to state.

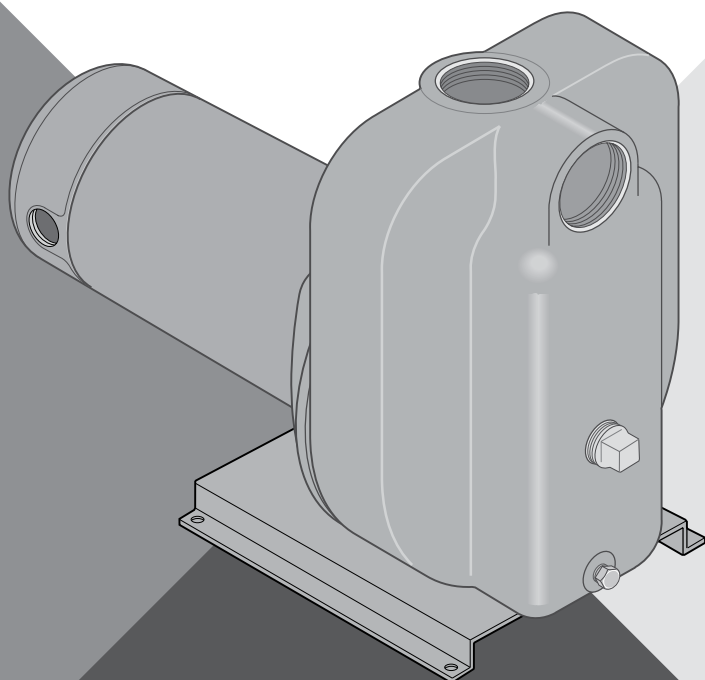
This Limited Warranty is effective June 1, 2011 and replaces all undated warranties and warranties dated before June 1, 2011.

STA-RITE INDUSTRIES
 293 Wright Street • Delavan, WI U.S.A. 53115
 Phone: 1-888-782-7483 • Fax: 1-800-426-9446 • Web Site: sta-rite.com



BOMBA CENTRÍFUGA CON CEBADO AUTOMÁTICO SERIE DS2

DS2HE ♦ DS2HF ♦ DS2HG ♦ DS2HHG



MANUAL DE INSTALACIÓN Y OPERACIÓN

pentair.com

INFORMACIÓN DE SEGURIDAD

Lea atentamente y siga todas las instrucciones de seguridad en la bomba o en este manual. Asegúrese de que las etiquetas de seguridad estén en buen estado. Reemplace las etiquetas de seguridad faltantes o dañadas.

⚠ Este es el símbolo de alerta de seguridad. Cuando vea este símbolo en su bomba o en este manual, busque una de las siguientes palabras de advertencia y esté atento a la posibilidad de sufrir lesiones personales.

⚠ PELIGRO advierte sobre peligros que pueden causar lesiones personales graves, la muerte o daños materiales importantes si se pasa por alto.

⚠ ADVERTENCIA advierte sobre peligros que pueden causar lesiones personales graves, la muerte o daños materiales importantes si se pasa por alto. La llamada **AVISO** indica instrucciones especiales que son importantes, pero que no están relacionadas con los peligros.

ADVERTENCIA SOBRE LA PROPOSICIÓN 65 DE CALIFORNIA

⚠ ADVERTENCIA Este producto, su embalaje y sus componentes contienen sustancias químicas que según el Estado de California provocan cáncer, defectos de nacimiento o afectan a la fecundidad.


SEGURIDAD ELÉCTRICA

⚠ Realice el cableado del motor para el voltaje adecuado. Consulte la sección "Instalación eléctrica" de este manual y la placa de identificación del motor.


⚠ Conecte a tierra el motor antes de conectarlo a la fuente de alimentación.

⚠ Realice el cableado conforme al Código Eléctrico Nacional, al Código Eléctrico Canadiense y a los códigos locales aplicables.

⚠ Siga las instrucciones de cableado que figuran en este manual antes de conectar el motor a las líneas de alimentación.

⚠ ADVERTENCIA	
	Tensión peligrosa. La electricidad puede producir descargas, quemaduras o la muerte. Conecte a tierra la bomba antes de conectarla a la fuente de alimentación.

SEGURIDAD GENERAL

⚠ ADVERTENCIA	
	Presión peligrosa. Instale válvulas de alivio de presión en la tubería de descarga. Libere toda la presión del sistema antes de trabajar en cualquier componente.

⚠ ADVERTENCIA No toque ningún motor en funcionamiento. Los motores modernos pueden funcionar a altas temperaturas. Para evitar quemaduras al realizar tareas de mantenimiento en la bomba, luego de apagarla, espere que se enfríe durante 20 minutos antes de manipularla.

- La bomba está diseñada para uso exclusivo en sistemas de aspersores para césped. Para evitar la acumulación de calor, el riesgo de exceso de presión y una posible lesión, no use la bomba en un sistema de tanque de presión (agua para uso doméstico). No la use como bomba auxiliar, ya que la succión presurizada puede causar la explosión del cuerpo de la bomba.
- Evite que la bomba o el sistema de tuberías se congelen. La congelación puede dañar la bomba y la tubería, además de provocar lesiones a causa del mal funcionamiento del equipo. Si esto sucede, la garantía quedará anulada.
- Use esta unidad para bombear solo agua.
- Inspeccione periódicamente la bomba y los componentes del sistema.
- Siempre que trabaje con cualquier bomba, use gafas de seguridad en todo momento.
- Mantenga el área de trabajo limpia, despejada y debidamente iluminada; guarde adecuadamente todas las herramientas y equipos que no vaya a utilizar.
- Mantenga a los visitantes a una distancia segura de las diferentes áreas de trabajo.
- Asegúrese de que los talleres estén libres de riesgos para niños, use candados e interruptores generales y quite las llaves de arranque.

INSTALACIÓN

PREVIO A LA INSTALACIÓN DE LA BOMBA

- El pozo no debe tener más de 6 metros de profundidad hasta alcanzar el nivel del agua.
- Los tendidos extensos y demasiados acoples aumentan la fricción y disminuyen el flujo. Ubique la bomba lo más cerca que pueda del pozo usando la menor cantidad de codos y acoples posible.
- Asegúrese de que no haya arena en el pozo. La arena obstruye la bomba y anula la garantía.
- Evite que la bomba y las tuberías se congelen. Si la tubería se congela, la bomba se daña y se anula la garantía. Revise los requisitos locales de protección contra heladas. Por lo general, las tuberías se deben colocar a 30,5 cm por debajo de la línea de congelamiento y la bomba debe estar aislada.
- Asegúrese de que todas las tuberías y la válvula de pie estén limpias y en buen estado.
- Asegúrese de que no haya burbujas de aire o fugas en la tubería de succión. Use cinta selladora para roscas de tubería de PTFE (politetrafluorotileno) para sellar las juntas de la tubería.
- Las uniones instaladas cerca del pozo y de la bomba pueden resultar convenientes en caso de realizar tareas de mantenimiento. Asegúrese de dejar suficiente espacio para trabajar con llaves de tuerca.

⚠ ADVERTENCIA Si usa la unidad como bomba auxiliar, el cuerpo de la bomba puede explotar. NO use esta bomba en aplicaciones auxiliares.

INSTALACIÓN DE LA TUBERÍA DEL POZO

Siga el método de instalación detallado a continuación que mejor se ajuste a su tipo de pozo.

INSTALACIÓN EN POZO ENCAMISADO

1. Inspeccione la válvula de pie para asegurarse de que trabaje libremente. Inspeccione el filtro para asegurarse de que esté limpio.
2. Conecte la válvula de pie y el filtro al primer tramo de la tubería de succión y descienda la tubería al interior del pozo. Agregue las secciones de tubería que sea necesario usando cinta selladora para roscas de tubería de PTFE (politetrafluorotileno) en las roscas macho. Asegúrese de que toda la tubería de succión sea a prueba de fugas; de lo contrario, la bomba perderá cebado y no bombeará.
3. Instale la válvula de pie entre 3 y 6 metros por debajo del nivel más bajo sobre el cual caerá el agua mientras funciona la bomba (nivel de bombeo del agua). El perforador de pozos puede brindarle esta información.
 - Para evitar el ingreso de arena y sedimentos al sistema de tuberías, la válvula de pie o el filtro se deben colocar al menos a 1,5 m por encima de la base del pozo.

4. Cuando alcanza la profundidad adecuada, instale un sello sanitario para pozos sobre la tubería y en la tubería del pozo. Ajuste los pernos para sellar la tubería.
5. En caso de usar una válvula de pie, se recomienda aplicar una conexión en T y un tapón de cebado (Figura 1).

INSTALACIÓN EN POZO CAVADO

Siga las mismas instrucciones descriptas anteriormente en Instalación en pozo encamisado.

INSTALACIÓN DEL PUNTO DE CONDUCCIÓN DEL POZO

1. Conecte la tubería de succión al punto de conducción (Figura 2). Procure que la tubería horizontal tenga un tendido lo más corto posible. Use cinta selladora para roscas de tubería de PTFE (politetrafluorotileno) en las roscas macho. Es posible que se necesiten varios pozos para obtener suficiente agua para bombear.
2. Instale una válvula de retención en la tubería horizontal. Asegúrese de revisar que el punto de la flecha de flujo de la válvula esté en dirección a la bomba.

INSTALACIÓN DE LA TUBERÍA HORIZONTAL DESDE EL POZO HASTA LA BOMBA

1. Nunca instale una tubería de succión con un diámetro menor que el puerto de succión de la bomba.
2. Para facilitar el cebado en las instalaciones de punto de pozo, instale una válvula de retención como se muestra en la Figura 2. Asegúrese de que el punto de la flecha de flujo de la válvula esté en dirección a la bomba.

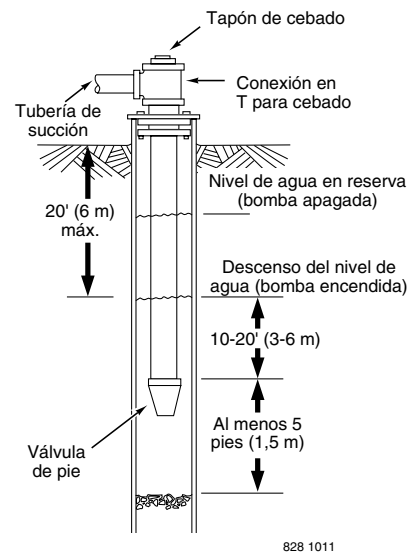


Figura 1: Instalación en pozo encamisado o cavado

INSTALACIÓN

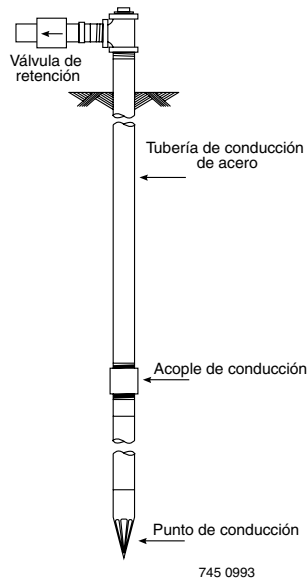


Figura 2: Instalación del punto de conducción

DIÁMETRO DE LA TUBERÍA DE DESCARGA

1. Si aumenta el diámetro de la tubería de descarga, instale un reductor en el puerto de descarga de la bomba. No aumente el diámetro de la tubería por etapas.
2. Si la bomba está alejada de los puntos de uso de agua, se debe aumentar el diámetro de la tubería de descarga para disminuir la pérdida de presión causada por la fricción.
 - Tendido de hasta 30,5 m: El mismo diámetro que el puerto de descarga de la bomba.
 - Tendido desde 30,5 m hasta 91 m: Aumente una vez el diámetro de la tubería.
 - Tendido desde 30,5 m hasta 182 m: Aumente dos veces el diámetro de la tubería.

APLICACIÓN PARA USO COMO SISTEMA ASPERSOR PARA CÉSPED

Esta bomba está diseñada para su uso en estanques, cisternas o pozos. La descarga de la bomba se puede dividir para suministrar dos (2) o más sistemas de aspersores. En la Figura 3, se muestra, a modo de sugerencia, una descarga múltiple al servicio.

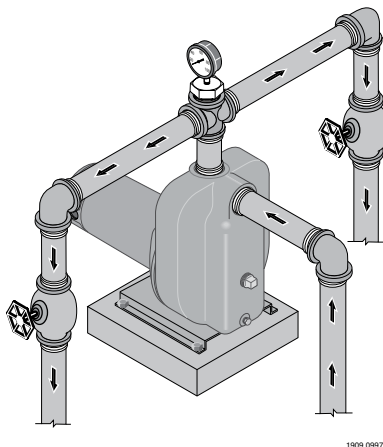


Figura 3: Descarga múltiple

INSTALACIÓN DE LA TUBERÍA O LA BOMBA

Use únicamente cinta selladora para roscas de tubería de PTFE (politetrafluoroetileno) para realizar todas las conexiones roscadas de la bomba. No use componentes para juntas de tuberías en bombas de plástico: pueden reaccionar con el plástico de los componentes de la bomba.

Asegúrese de que todas las juntas en la tubería de succión sean herméticas tanto para aire como para agua. Si la tubería de succión aspira aire, la bomba no podrá extraer agua del pozo.

1. Atornille la bomba sobre una base sólida y nivelada.
2. Sujete todas las tuberías conectadas a la bomba.
 - Instale la bomba lo más cerca posible de la boca del pozo. Los tendidos extensos de tuberías y el uso excesivo de acoples generan fricción y disminuyen el flujo.
3. Encinte con 1-1/2 a 2 capas de cinta selladora para roscas de tubería de PTFE (politetrafluoroetileno) en sentido horario (ubicado de frente en el extremo de la tubería) en todas las roscas macho que se fijen a la bomba.

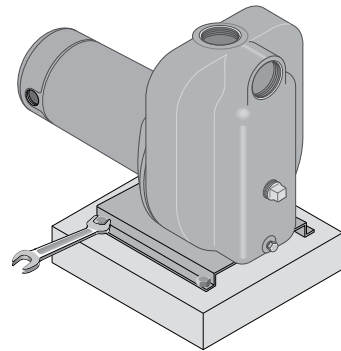


Figura 4: Fijación de la bomba con pernos

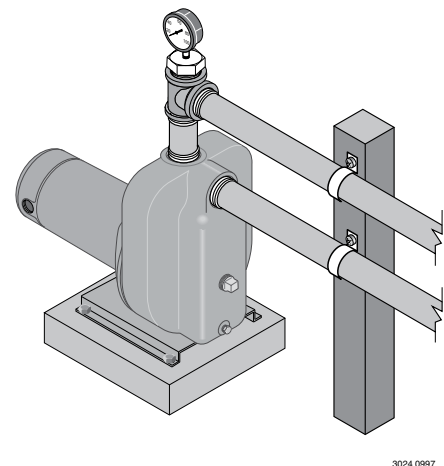
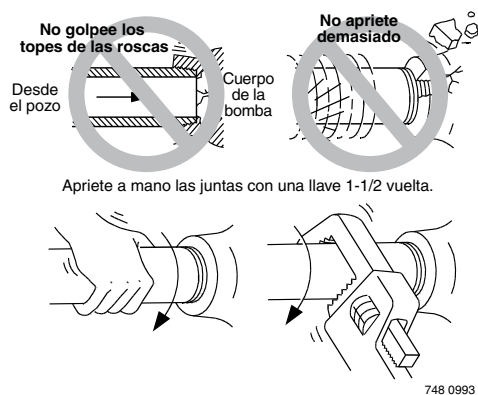
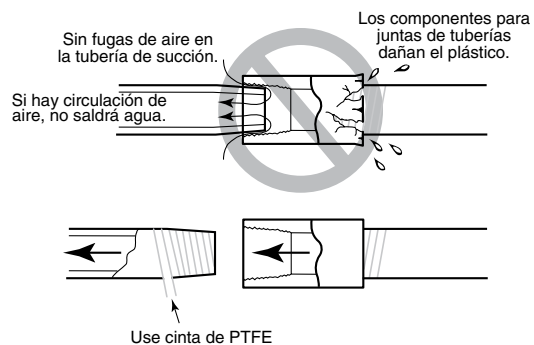


Figura 5: Sujeción independiente de todas las tuberías conectadas a la bomba

INSTALACIÓN

4. Apriete las juntas con la mano 1-1/2 vuelta. No apriete demasiado.
5. Si se deben usar tendidos extensos de tuberías horizontales, instale una conexión en T entre la válvula de retención y la boca del pozo (Figura 1). Use una tubería de calificación 80 o tubería de hierro.



INSTALACIÓN ELÉCTRICA

CABLEADO

Instale, conecte a tierra, cablee y haga el mantenimiento de esta bomba de acuerdo con los requisitos del código eléctrico. Para obtener información relacionada con estos códigos, consulte a su inspector local de construcción. Lea y siga todas las advertencias que se detallan a continuación.

⚠ ADVERTENCIA Tensión peligrosa. La electricidad puede producir descargas, quemaduras o la muerte. Desconecte la alimentación al motor antes de trabajar en una bomba o motor. Conecte a tierra el motor antes de conectarlo a la fuente de alimentación.

⚠ Para evitar descargas eléctricas peligrosas o fatales, APAGUE el motor antes de trabajar en las conexiones eléctricas.

⚠ La tensión de alimentación debe estar dentro de $\pm 10\%$ del valor que se indica en la placa de identificación. Tenga en cuenta que una tensión incorrecta puede provocar un incendio o dañar el motor y anula la garantía. En caso de duda, consulte a un electricista matriculado.

⚠ Use un calibre de cable que se encuentre dentro de las especificaciones que se detallan en la Tabla de cableado, la cual se incluye en este manual.

⚠ Cablee el motor siguiendo el diagrama que figura en la placa de identificación del motor. Si el diagrama que figura en la placa de identificación difiere de los diagramas incluidos en este manual, siga el diagrama que figura en la placa de identificación.

1. Asegúrese de incorporar un interruptor de desconexión mediante fusible de la capacidad suficiente para brindar protección mientras trabaja en el motor. Para conocer los requisitos del interruptor, consulte los códigos eléctricos locales y nacionales*.
 2. Antes de realizar tareas de mantenimiento en el motor o la bomba, desconecta la alimentación eléctrica. Si el interruptor de desconexión está fuera de la vista de la bomba, bloquéelo y etiquételo para evitar cualquier aplicación inesperada de energía.
 3. Conecte la bomba a tierra permanentemente con un cable del mismo calibre que el especificado en la Tabla de cableado, la cual se incluye en este manual. Realice la conexión a tierra al terminal de tierra color verde debajo de la cubierta del motor identificada con la leyenda GRD o el símbolo (⏚).
 4. Conecte el cable a tierra a un conductor con conexión a tierra en el panel de servicio, a una tubería de agua subterránea de metal, o bien a la tubería del pozo. Este conductor debe tener al menos 3 m de largo. No lo conecte a tuberías de plástico ni a acoples con aislación.
- ⚠** No lo conecte a una línea de suministro de gas.
5. Proteja los conductores de corriente energizados y de conexión a tierra de cortes, grasa, calor, aceite y productos químicos.

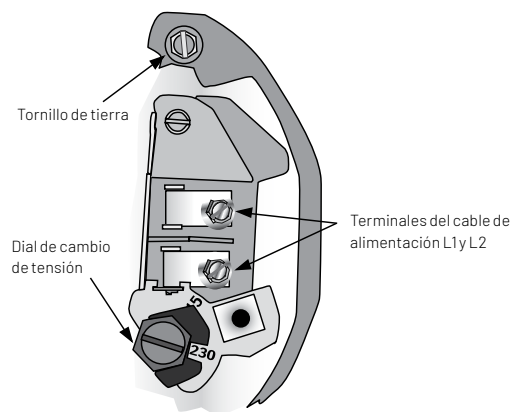


Figura 9: Tensión configurada para una corriente de 230 voltios. Selector rotativo

6. El motor cuenta con una protección automática interna contra sobrecarga térmica. Si el motor se detiene por razones desconocidas, la sobrecarga térmica puede volver a arrancarlo inesperadamente, lo cual podría causar lesiones o daños a la propiedad. Antes de realizar tareas de mantenimiento en el motor, desconecte la alimentación eléctrica.
7. Ante cualquier duda relacionada con este procedimiento o los diagramas de cableado, consulte a un electricista matriculado.
 - Para conocer la configuración de cableado, consulte la Figura 9.
 - Conecte los conductores de corriente energizados a los terminales L1 y L2. Si reemplaza el motor, revise el diagrama de cableado en la placa de identificación del motor. En el caso de motores trifásicos, o si el cableado del motor no coincide con la Figura 9, siga el diagrama que se indica en el motor.

CONFIGURACIÓN PARA USO A 115 VOLTIOS

Los modelos monofásicos de 115/230 voltios se configuran de fábrica para uso con 230 voltios.

Si la fuente de alimentación es de 115 voltios:

1. Asegúrese de que la alimentación esté apagada.
2. Retire la tapa del motor.
3. Con la ayuda de un destornillador o una llave de 1/2", gire el selector de tensión hacia la izquierda hasta la configuración de 115 voltios.
4. Reemplace la tapa del motor.

OPERACIONES

TABLA DE CABLEADO: DIÁMETRO RECOMENDADO DE CABLES Y CAPACIDADES DE FUSIBLES

Modelo de la bomba	HP	Carga máxima Amperios	Voltios/fase	Hz	Amperaje nominal* de los fusibles de derivación	DISTANCIA EN METROS DESDE EL MOTOR AL SUMINISTRO			
						De 0 a 15,24 m	De 15,5 a 30,5 m	De 31 a 60 m	De 61,25 a 91,5 m
						DIÁMETRO DEL CABLE (AWG)			
DS2HE	1	14,8/7,4	115/230/1	60	20/15	12/14	12/14	8/14	6/14
DS2HE3	1	3,6/1,8	230/460/3	60	15/1	14/14	14/14	14/14	14/14
DS2HF3	1-1/2	4,7/2,35	230/460/3	60	15/15	10/14	10/14	8/14	6/12
DS2HF3	1-1/2	4,7/2,35	230/460/3	60	15/15	14/14	14/14	14/14	14/14
DS2HG	2	24,0/12,0	115/230/1	60	30/15	12/14	10/14	6/14	6/12
DS2HG3	2	5,8/2,9	230/460/3	60	15/15	14/14	14/14	14/14	14/14
DS2HHG	2-1/2	24/12	115/230/1	60	30/15	12/14	10/14	6/14	6/12
DS2HHG3	2-1/2	6,9/3,45	230/460/3	60	15/15	14/14	14/14	14/14	14/14

(*) Se recomienda el uso de elemento dual o fusibles de retardo Fusetron para todos los circuitos de motor.

CEBADO DE LA BOMBA

El término "cebado" hace referencia al proceso por el cual la bomba expulsa todo el aire en el sistema y comienza extraer agua desde la fuente hacia el sistema. No se refiere únicamente a verter agua al interior de la bomba (aunque, por lo general, verter agua es el primer paso).

1. Asegúrese de que la válvula de succión, la válvula de descarga y cualquier manguera del lado de la descarga de la bomba estén abiertas.
2. Retire el tapón de cebado. Llene la bomba y la tubería de succión con agua (Figura 10). **NUNCA** haga funcionar la bomba en seco. Hacer funcionar la bomba sin agua en su interior daña las juntas y puede derretir el impulsor y el difusor. Asegúrese de que la descarga (válvula, empuñadura de pistola de la boquilla de la manguera, etc) esté abierta siempre que la bomba esté en funcionamiento.
 - Si un tendido horizontal extenso cuenta con una conexión en T y un tapón de cebado, asegúrese de llenar la tubería de succión a través de esta conexión en T y reemplace el tapón. Recuerde encintar el tapón.
 - Para facilitar la resolución de problemas de la bomba, se puede reemplazar el tapón de cebado por uno que tenga un manómetro y un buje reductor montado.
3. Inicie la bomba. La producción de agua debería iniciarse en 10 minutos o menos. El tiempo depende de la profundidad del pozo hasta el nivel del agua y de la longitud del tendido horizontal. Si no hay producción de agua dentro de los 10 minutos, detenga la bomba, libere toda la presión, quite el tapón de cebado, vuelva a llenar la bomba e intente nuevamente.

⚠ ADVERTENCIA Presión peligrosa y riesgo de explosión y quemaduras. Si la bomba funciona continuamente sin flujo (es decir, con la descarga cerrada o sin cebado), el agua puede hervir en la bomba y en el sistema de tuberías. Bajo condiciones de presión de vapor, las tuberías se pueden fracturar, los acoples se pueden soltar o los puertos de la bomba se pueden liberar y provocar quemaduras a cualquier persona que esté cerca.

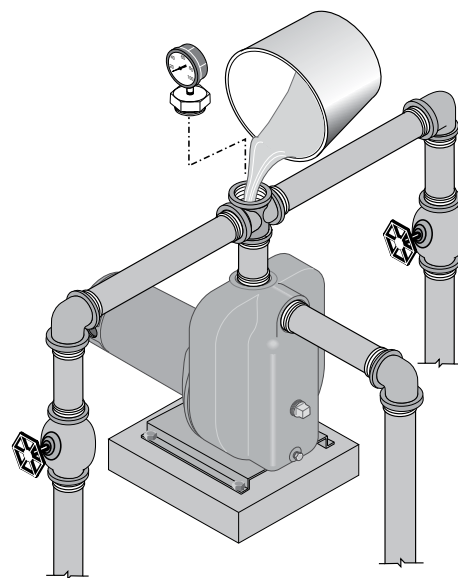


Figura 10: Saque el tapón de cebado y llene la bomba antes de iniciarla.

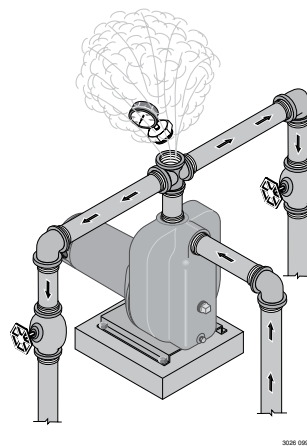


Figura 12: No inicie la bomba con la descarga cerrada.

MANTENIMIENTO

No es necesario desconectar la bomba ni la tubería para reparar o reemplazar el motor o la junta.

En caso de reemplazar el motor, se debe instalar una junta del eje nueva. Tenga una junta del eje adicional a mano en caso de que la necesite en el futuro.

Para conocer las instrucciones de lubricación, revise la etiqueta del motor. La junta mecánica del eje en la bomba está lubricada con agua y es autoajustable.

DESMONTAJE DE LA BOMBA

Drene la bomba cuando la desconecte del servicio o cuando pueda congelarse.

1. Desconecte la alimentación al motor.
2. Marque los cables para un montaje correcto.
3. Libere toda la presión del agua del sistema.
4. Retire el tapón de drenaje y la bomba de drenaje.
5. Retire los tornillos prisioneros que sujetan la placa de estanqueidad al cuerpo de la bomba. Ahora, puede retirar el ensamble del motor y la placa de estanqueidad del cuerpo de la bomba (Figura 14).
6. Retire la junta CUIDADOSAMENTE.

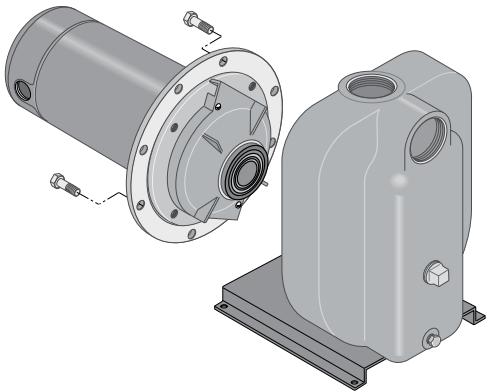


Figura 14: Recolocación del motor en su sitio

LIMPIEZA O REEMPLAZO DEL IMPULSOR

1. Siga las instrucciones detalladas en "Desmontaje de la bomba".
2. Retire los tornillos que sujetan el difusor a la placa de estanqueidad.
3. Retire el difusor (Figura 15). El impulsor queda al descubierto y se puede limpiar.

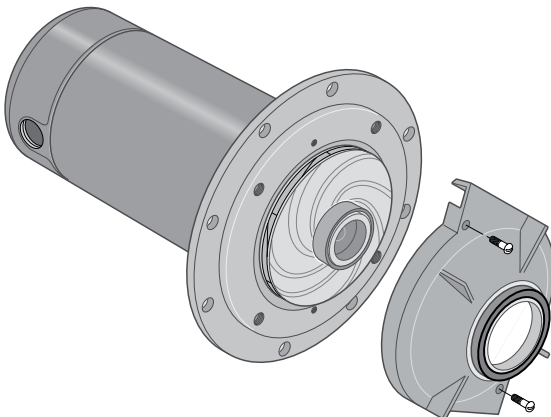
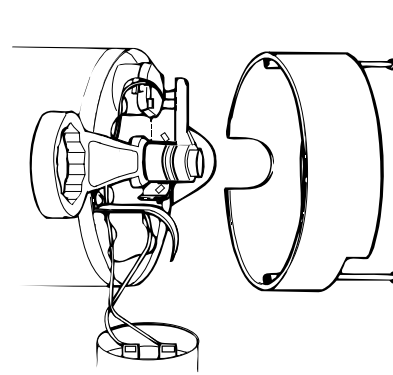


Figura 15: Retiro del difusor

3028 0997



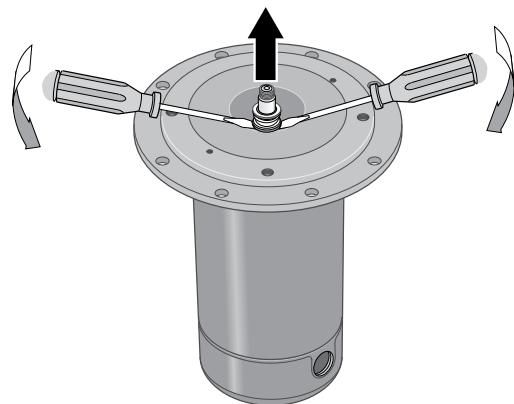
739 0993

Figura 16: Sujeción del eje

4. Si se debe reemplazar el impulsor, suelte dos tornillos para metales y retire la cubierta del motor (Figura 16).
5. **⚠ ADVERTENCIA La tensión del condensador puede ser peligrosa.** Para descargar el condensador, sujete al mismo tiempo un destornillador con aislación **DEL MANGO** y los terminales cortos del condensador (Figura 16). No toque la hoja de metal del destornillador ni los terminales del condensador. En caso de duda, consulte a un electricista calificado.
6. Desenrosque la abrazadera del condensador y retírelo. No desconecte los cables que conectan el condensador al motor.
7. Deslice una llave de boca de 7/16" por detrás del interruptor con muelle en el extremo del motor del eje. Sujete el eje del motor con la llave por los extremos planos del eje y desenrosque el tornillo del impulsor (si hubiera) girando a la derecha (rosca a la izquierda), si se mira de frente al impulsor.
8. Desenrosque el impulsor mientras sujeta el eje girando a la derecha, si se mira de frente al impulsor.
9. Para volver a instalar, invierta los pasos 1 al 6 y siga las instrucciones que se detallan más adelante en la sección "Reensamblado de la bomba".

CÓMO SACAR LA JUNTA VIEJA

1. Siga las instrucciones detalladas en "Desmontaje de la bomba".
2. Siga los pasos 2 al 5 en la sección "Limpieza o reemplazo del impulsor".



3029 0997

Figura 17: Retiro de la placa de estanqueidad

MANTENIMIENTO

- Saque la parte giratoria de la junta ubicando dos destornilladores por debajo de la arandela de estanqueidad y **con cuidado** haga palanca (Figura 17).
- Saque las tuercas de los pernos que sujetan la placa de estanqueidad al motor. Con cuidado, deslice la placa de estanqueidad fuera del eje.

AVISO: Asegúrese de no rayar o estropear el eje. Si el eje se daña, se debe alisar con tela fina esmeril o paño pulidor antes de instalar la junta nueva. ¡NO REDUZCA el diámetro del eje!

- Coloque media cara de la placa de estanqueidad hacia abajo y retire con un leve golpe la parte intermedia de la junta (Figura 18).

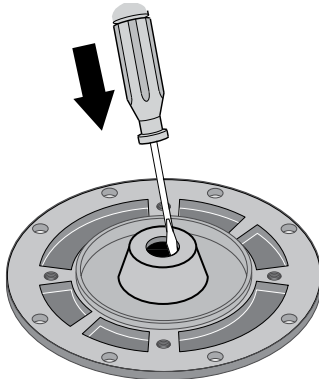


Figura 18: Retiro de la junta con un golpe leve

CÓMO INSTALAR UNA JUNTA NUEVA

Las empaquetaduras y O'Ring no son intercambiables entre los diferentes modelos. Asegúrese de instalar el mismo tipo de empaquetadura o O'Ring que sacó.

- Limpie la cavidad de la junta en la placa de estanqueidad.
- Humedezca con moderación el borde externo de la tapa de goma sobre el asiento de cerámica con jabón líquido.
- Coloque una arandela limpia de cartón sobre la cara de la junta. La cara de cerámica pulida de la junta se debe orientar hacia arriba. Con firmeza y seguridad, presione la junta de cerámica al interior de la cavidad. Para ello, aplique solo presión manual.
- En caso de que la junta no se asiente correctamente:
 - Saque la junta y coloque el lado pulido hacia arriba sobre el banco. Vuelva a limpiar la cavidad e instale como se detalla en el paso anterior.
 - Si aun así la junta no se asienta correctamente luego de volver a limpiar la cavidad, coloque una arandela de cartón sobre la cara pulida de la junta y presione cuidadosamente para fijarla en su sitio usando un trozo de tubería estándar de 3/4" como prensa; proceda con cuidado para no rayar la cara de la junta.
- Deseche la arandela de cartón y vuelva a revisar la cara de la junta para asegurarse de que esté libre de suciedad, partículas extrañas, raspaduras o grasa.
- Inspeccione el eje para asegurarse de que esté libre de mellas o raspaduras.
- Vuelva a ensamblar la parte del cuerpo de la bomba a la brida del motor. **ASEGÚRESE DE COLOCAR EL LADO DERECHO HACIA ARRIBA.**
- Aplique jabón líquido con moderación (una gota es suficiente) en el diámetro interior de la junta giratoria.

- Deslice la parte giratoria de la junta (la cara de carbono primero) sobre el eje hasta que el anillo impulsor de caucho toque el hombro del eje.

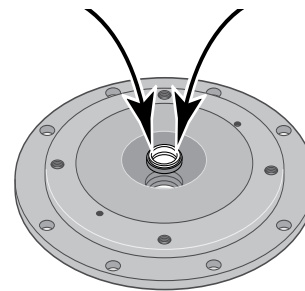
AVISO: Asegúrese de no hacer muescas ni rayar la cara de carbono de la junta cuando la desliza sobre el extremo roscado del eje o sobre el hombro del eje. La superficie de carbono debe permanecer limpia; de lo contrario, la junta tendrá poca duración.

- Sujete el eje del motor con una llave de boca de 7/16" por los extremos planos del eje y atornille el impulsor al eje.

Asegúrese de no tocar los terminales del condensador con ninguna parte del cuerpo ni con ningún objeto metálico.

Al ajustar el impulsor, la junta se ubicará automáticamente en la posición correcta.

- Reemplace el tornillo del impulsor (si se usa) girando a la derecha (rosca hacia la izquierda) hasta el extremo del eje.
- Vuelva a montar el difusor a la placa de estanqueidad con dos tornillos.
- Siga las instrucciones detalladas en "Reensamblado de la bomba".



3031 0997

Figura 19: Colocación a presión de la junta nueva

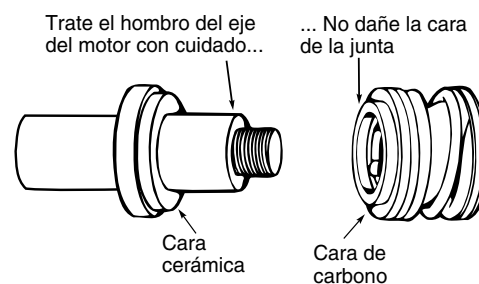
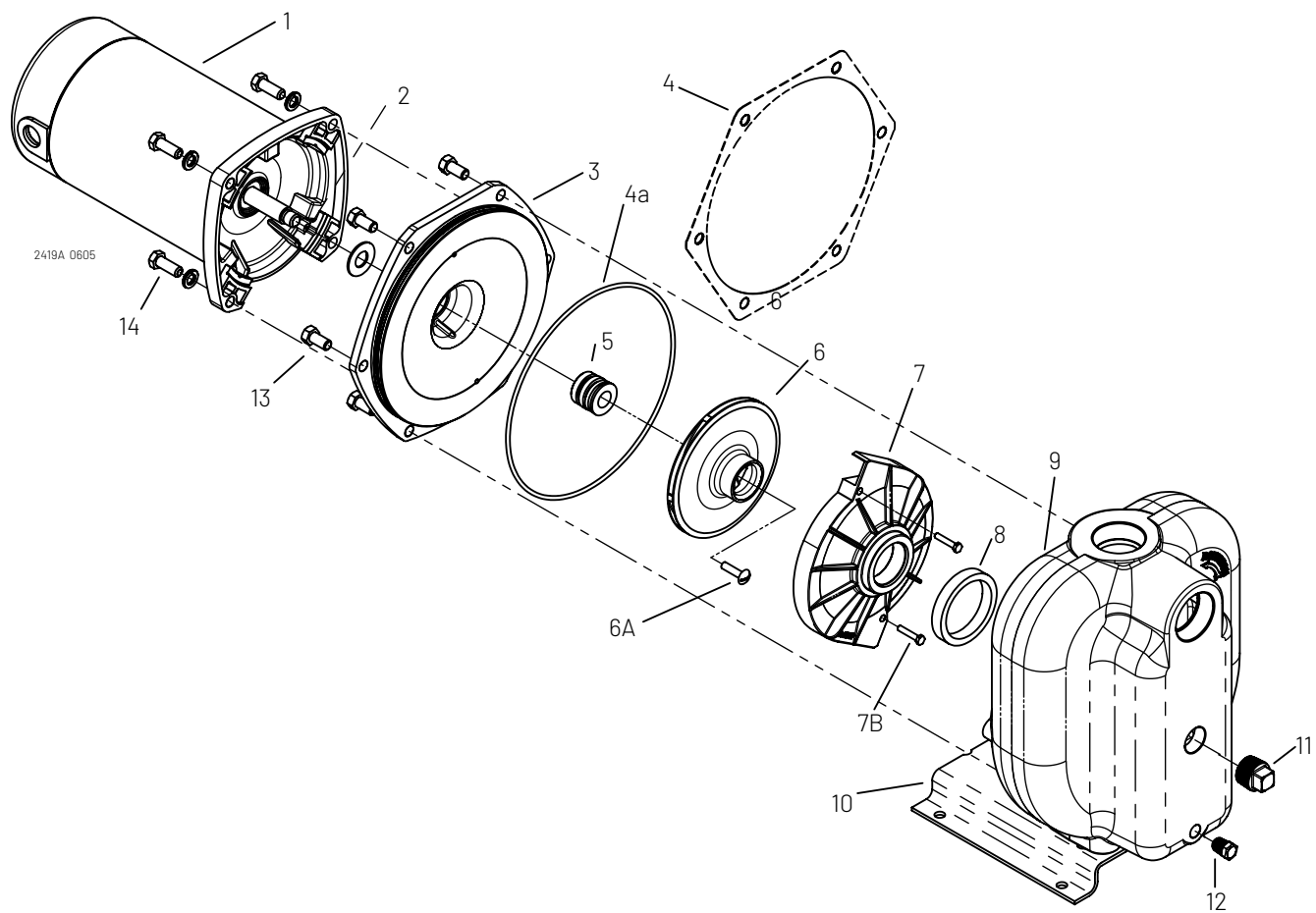


Figura 20: Protección de las caras de la junta

REENSAMBLADO DE LA BOMBA

- Limpie las superficies de empaquetadura y el O'Ring, tanto en el cuerpo de la bomba como en la placa de estanqueidad. Instale la empaquetadura o O'Ring nuevo siguiendo las instrucciones de la sección "Cómo instalar una junta nueva".
- Deslice el montaje del motor o de la placa de estanqueidad al interior del cuerpo de la bomba. Fije con tornillos prisioneros.
- Reemplace los pernos de montaje a la base.
- Reemplace el cableado del motor, cierre la llave de drenaje.
- Cebe la bomba de acuerdo con las instrucciones. Consulte la sección "Funcionamiento".
- Compruebe que no haya fugas.

PIEZAS DE REPUESTO



PIEZAS DE REPUESTO

Núm. de referencia	Descripción de la pieza	NÚMERO DE MODELO			
		DS2HE-191PL DS2HE3-191P 1 Hp	DS2HF-191PL DS2HE3-192P 1-1,2 Hp	DS2HE-102L DS2HE3-102 2 Hp	DS2HHG-53L DS2HHG3-53 2-1/2 Hp
1	Motor monofásico de 115/230 V	A100ELL	A100FLL	–	–
1	Motor monofásico de 230 V	–	–	A100GSLL	AE100G5LL
1	Motor trifásico de 230/460 V	AP100EL	AP100FL	AP100GL	AP100G5L
2	Deflector de agua	17351-0009	17351-0009	17351-0009	17351-0009
3	Placa de estanqueidad	C3-155	C3-155	C3-117	C3-117
4	Junta: placa de estanqueidad	C20-86	C20-86	C20-87	C20-87
4A	O'Ring	-	25276	34516	-
5	Junta del eje	U109-6A	U109-6A	U109-6A	U109-6A
6	Impulsor	C105-92PKB	C105-92PCB	C105-214PDA	C105-214PA
6A	Impulsor de tornillo (motores monofásicos)	–	–	C30-14SS	C30-14SS
6A	Impulsor de tornillo (motores trifásicos)	C30-14SS	C30-14SS	C30-14SS	C30-14SS
7	Difusor	C101-276P	C101-276P	C101-182	C101-182
7B	Tornillo (1/4 - 20 x 1" de largo, dos unidades)	U30-696SS	U30-696SS	–	–
7B	Tornillo para metales (8 - 32 x 7/8" de largo, 2 unidades)	–	–	U30-53SS	U30-53SS
8	Anillo del difusor	C21-10	C21-10	C21-2	C21-2
9	Montaje del cuerpo de la bomba	C176-49B	C176-49B	C76-50	C76-50
10	Base	U4-5	U4-5	U4-5	U4-5
11	Tapón de la tubería (3/4" NPT, cabezal cuadrado)	U78-60ZPS	U78-60ZPS	U78-60ZPS	U78-60ZPS
12	Tapón (1/4" NPT, hexagonal) Hd.	U78-941ZPV	U78-941ZPV	U78-941ZPV	U78-941ZPV
13	Tornillo prisionero (3/8 - 16 x 3/4" de largo, 6 unidades)	U30-72ZP	U30-72ZP	–	–
13	Tornillo prisionero (5/16 - 18 x 3/4" de largo, 8 unidades)	–	–	U30-60ZP	U30-60ZP
14	Tornillo prisionero (3/8 - 16 x 1" de largo, 4 unidades)	U30-74ZP	U30-74ZP	U30-74ZP	U30-74ZP**
•	Arandelas de seguridad (3/8", 4 unidades)	U43-12ZP	U43-12ZP	–	–
•	Arandelas de seguridad (3/8", 2 unidades)	U43-12ZP	U43-12ZP	U43-12ZP	U43-12ZP
•	Tornillo prisionero (3/8 - 16 x 5/8" de largo, 2 unidades)	U30-71ZP	U30-71ZP	U30-71ZP	U30-71ZP

• Sin ilustración

** Modelo DSHHG-53L usos U30-99S.

NOTA: Por una unidad, a menos que se indique lo contrario entre paréntesis ().

TABLA DE SOLUCIÓN DE PROBLEMAS

Síntoma	Causas posibles	Medida correctiva
El motor no funciona	El interruptor de desconexión está apagado	Asegúrese de que el interruptor esté encendido
	Fusible quemado	Reemplace el fusible
	Interruptor de arranque con fallas	Reemplace el interruptor de arranque
	Los cables del motor están sueltos, desconectados o cableados de forma incorrecta	Consulte las instrucciones de cableado. Revise y ajuste todos los cables. ⚠️ ADVERTENCIA La tensión del condensador puede ser peligrosa. Para descargar el condensador, sujete al mismo tiempo un destornillador con aislación DEL MANGO y los terminales cortos del condensador. No toque la hoja de metal del destornillador ni los terminales del condensador. En caso de duda, consulte a un electricista calificado.
El motor se calienta y se genera una sobrecarga	El motor está cableado de forma incorrecta	Consulte las instrucciones de cableado
	La tensión es demasiado baja	Consulte con la empresa de energía. Instale un cableado de mayor calibre si el diámetro del cable es demasiado pequeño (Consulte la sección Instalación eléctrica de este manual)
El motor funciona, pero no bombea agua	La bomba en la instalación nueva no retoma el cebado: 1. Controle el cebado antes de buscar otras causas 2. Cebado incorrecto 3. Fugas de aire 4. Fuga en la válvula de pie	En la nueva instalación: 1. Desenrosque el tapón de cebado y asegúrese de que haya agua en la carcasa de la bomba 2. Vuelva a cebar la bomba de acuerdo con las instrucciones 3. Revise todas las conexiones en la línea de succión 4. Reemplace la válvula de pie
	La bomba perdió cebado: 1. Revise el cebado antes de buscar otras causas 2. Fugas de aire 3. Nivel del agua por debajo del punto de succión de la bomba	En una instalación en uso: 1. Desenrosque el tapón de cebado y asegúrese de que haya agua en la carcasa de la bomba 2. Revise todas las conexiones en la línea de succión y la junta del eje 3. Descienda la línea de succión dentro del agua y vuelva a cebar. Si el nivel de agua que baja en el pozo supera la altura de succión, se necesita una bomba para pozos profundos
	El impulsor está obstruido	Limpie el impulsor según se indica en los procedimientos de la sección "Limpieza o reemplazo del impulsor"
	Válvula de retención o válvula de pie trabada en la posición de cierre	Reemplace la válvula de retención o la válvula de pie
	Las tuberías están congeladas	Descongele las tuberías. Entierre las tuberías por debajo de la línea de congelamiento. Calefaccione la fosa o el alojamiento de la bomba
	La válvula de pie o el filtro están enterrados en la arena o el barro	Eleve la válvula de pie o el filtro sobre la base del pozo
	La bomba no bombea agua hasta su capacidad máxima	Fuga en la válvula de pie causa pérdida de cebado
El nivel de agua en el pozo es superior a 7,60 m por debajo de la bomba de succión		Es posible que se necesite una bomba de chorro para pozos profundos
Tuberías de acero (si se usan) están oxidadas o cubiertas en cal, lo cual causa fricción excesiva		Reemplace por tuberías de plástico siempre que sea posible; de lo contrario, reemplace por una tubería de acero nueva
La tubería de desvío tiene un diámetro muy pequeño		Use tuberías de desvío de mayor diámetro

GARANTÍA

STA-RITE* le garantiza al comprador consumidor original ("Comprador" o "Usted") de los productos que se detallan a continuación que estos no tendrán defectos de materiales ni de mano de obra durante el Plazo de garantía que se menciona a continuación.

Producto	Plazo de garantía
Productos de sistemas de agua: bombas de chorro, bombas centrífugas pequeñas, bombas sumergibles y accesorios relacionados	lo que ocurra primero: 12 meses a partir de la fecha de la instalación original, o 18 meses a partir de fecha de fabricación
Tanques compuestos Pro-Source™	5 años desde la fecha de instalación original
Tanques de presión Pro-Source™ de acero	5 años desde la fecha de instalación original
Tanques Pro-Source™ línea epoxi	3 años desde la fecha de instalación original
Sumidero/desagüe/productos residuales	12 meses a partir de la fecha de instalación original, o 18 meses a partir de la fecha de fabricación

Nuestra garantía no se aplica a ningún producto que, según nuestro criterio exclusivo, se haya usado de manera descuidada, no se haya instalado debidamente, no haya recibido el mantenimiento adecuado, o bien se haya usado para cualquier otro fin que no es el previsto. Sin perjuicio de lo anterior, hacer funcionar un motor trifásico con una tensión monofásica mediante un convertidor de fase anulará la garantía. Tenga en cuenta que los motores trifásicos se deben proteger con relés de tres patas, de compensación ambiental y activación extrarrápida con la capacidad recomendada o la garantía se anulará.

Su único recurso de compensación, y la única obligación de STA-RITE, es que STA-RITE repare o reemplace los productos defectuosos (a elección de STA-RITE). Usted debe pagar todos los costos de mano de obra y envío asociados con esta garantía y debe solicitar el servicio de garantía mediante el proveedor de instalación tan pronto se descubra el problema. No se aceptará ninguna solicitud de servicio si se recibe después de que el Plazo de garantía haya caducado. Esta garantía no es transferible. STA-RITE NO ASUME NINGUNA RESPONSABILIDAD POR NINGÚN DAÑO CONSECUENTE, INCIDENTAL O CONTINGENTE DE NINGÚN TIPO.

LAS GARANTÍAS QUE ANTECEDEN SON DE CARÁCTER EXCLUSIVO Y REEMPLAZAN A CUALQUIER OTRA GARANTÍA, EXPRESA O IMPLÍCITA, INCLUIDAS, ENTRE OTRAS, LAS GARANTÍAS IMPLÍCITAS DE COMERCIALIZACIÓN Y ADECUACIÓN PARA UN FIN ESPECÍFICO. LAS GARANTÍAS QUE ANTECEDEN NO SE EXTIENDEN MÁS ALLÁ DEL PLAZO EXPRESAMENTE ESTABLECIDO EN ESTE DOCUMENTO.

Algunos estados no permiten la exclusión o limitación de daños incidentales o consecuentes o las limitaciones referidas al plazo de una garantía implícita, por lo cual es posible que las limitaciones o exclusiones que anteceden no se apliquen a su caso. Esta garantía le otorga derechos legales específicos y Usted también puede tener otros derechos que varían de estado a estado. Esta Garantía Limitada entra en vigor desde el 1 de junio de 2011 y reemplaza todas las garantías sin datar y las garantías anteriores al 1 de junio de 2011.

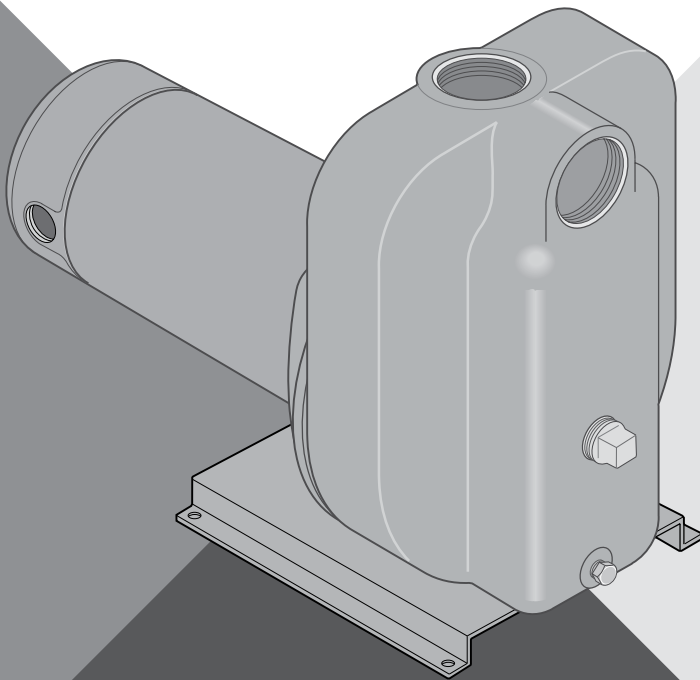
STA-RITE INDUSTRIES
293 Wright Street • Delavan, WI U.S.A. 53115
Teléfono: 1-888-782-7483 • Fax: 1-800-426-9446 • Sitio web: sta-rite.com

THIS PAGE IS LEFT BLANK INTENTIONALLY



POMPE CENTRIFUGE AUTO-AMORÇANTE DE LA SÉRIE DS2

DS2HE ♦ DS2HF ♦ DS2HG ♦ DS2HHG



MANUEL D'INSTALLATION ET D'UTILISATION

CONSIGNES DE SÉCURITÉ

Lire attentivement et suivre toutes les instructions de sécurité dans ce manuel ou sur la pompe. Garder les étiquettes de sécurité en bon état. Remplacez les étiquettes de sécurité manquantes ou endommagées.

⚠ Il s'agit du symbole d'alerte de sécurité. Lorsque vous voyez ce symbole sur votre pompe ou dans ce manuel, recherchez l'un des mots d'avertissement suivants et soyez attentif aux risques de blessures.

⚠ DANGER met en garde contre les dangers qui pourraient entraîner des blessures graves, la mort ou des dommages matériels importants s'ils étaient ignorés.

⚠ AVERTISSEMENT Met en garde contre les dangers qui peuvent causer des blessures graves, la mort, ou des dommages matériels importants si on ne tient pas compte de ces risques. **AVIS** dénote des instructions spéciales qui sont importantes mais non liées aux dangers.

AVERTISSEMENT PROPOSITION 65 DE LA CALIFORNIE

⚠ AVERTISSEMENT Ce produit et ses accessoires contiennent des produits chimiques connus dans l'État de Californie pour causer le cancer, des déficiences congénitales ou d'autres problèmes de reproduction.

SÉCURITÉ ÉLECTRIQUE

⚠ Câblez le moteur avec une tension correcte. Voir la section « Électricité » de ce manuel et la plaque signalétique du moteur.

⚠ Mettre le moteur à la terre avant de le connecter à l'alimentation.

Respectez le code national de l'électricité, le code canadien de

⚠ l'électricité et les codes locaux pour tout le câblage.

⚠ Suivez les instructions de câblage dans ce manuel lors de la connexion du moteur aux lignes électriques.

⚠ AVERTISSEMENT



Tension dangereuse. Peut choquer, brûler ou entraîner la mort.
Mettre la pompe à la terre avant de la connecter à l'alimentation.

SÉCURITÉ GÉNÉRALE

⚠ AVERTISSEMENT



Pression dangereuse! Installez la soupape de surpression dans la conduite de refoulement. Relâchez toute pression dans le système avant de travailler sur un composant.

⚠ AVERTISSEMENT Ne touchez pas un moteur en marche.

Les moteurs modernes peuvent fonctionner à des températures élevées. Pour éviter les brûlures lors de l'entretien de la pompe, la laisser refroidir pendant 20 minutes après son arrêt avant de manipuler.

- La pompe est conçue uniquement comme tourniquet d'arrosage. Pour éviter l'accumulation de chaleur, les risques de surpression et les blessures éventuelles, ne pas utiliser dans un système de réservoir sous pression (eau domestique). Ne pas utiliser comme pompe d'appoint; une aspiration sous pression peut faire exploser le corps de pompe.
- Ne laissez pas la pompe ou le système de tuyauterie geler. Le gel peut endommager la pompe et le tuyau, peut entraîner des blessures dues à une défaillance de l'équipement, et annulera la garantie.
- Ne pompez que de l'eau avec cet appareil.
- Inspectez périodiquement les composants de la pompe et du système.
- Portez toujours des lunettes de protection lorsque vous travaillez sur des pompes.
- Maintenez la zone de travail propre, dégagée et éclairée correctement; rangez tous les outils et équipements non utilisés correctement.
- Maintenir les visiteurs à une distance sécuritaire des zones de travail.
- Rendre les ateliers à l'épreuve des enfants; utiliser des cadenas et des interrupteurs principaux; retirer les clés de démarrage.

INSTALLATION

AVANT L'INSTALLATION DE LA POMPE

- Le puits ne doit pas avoir plus de 20 pieds (6 mètres) de profondeur jusqu'à l'eau.
- Les longs circuits et les nombreux raccords augmentent la friction et réduisent le débit. Placez la pompe le plus près possible du puits, en utilisant le moins de coudes et de raccords possible.
- Assurez-vous que le puits est exempt de sable. Le sable obstruera la pompe et annulera la garantie.
- Protégez la pompe et tous les tuyaux contre le gel. Le gel fendra le tuyau, endommagera la pompe et annulera la garantie. Vérifiez les exigences locales de protection contre le gel. Habituellement, la tuyauterie doit se trouver à 12 po (30 cm) sous la ligne de gel et la pompe doit être isolée.
- Assurez-vous que tous les tuyaux et le clapet de pied sont propres et en bon état.
- Assurez-vous qu'il n'y a pas de poches d'air ou de fuites dans la conduite d'aspiration. Utilisez du ruban d'étanchéité pour filetage de tuyau PTFE pour sceller les joints de tuyaux.
- Les raccords installés près du puits et de la pompe facilitent l'entretien. Assurez-vous de laisser de l'espace pour l'utilisation des clés.

AVERTISSEMENT Le corps de pompe peut exploser s'il est utilisé comme pompe d'appoint. NE PAS UTILISER dans une application d'appoint.

INSTALLATION DE TUYAUX DE Puits

Utilisez la méthode d'installation ci-dessous qui correspond à votre type de puits.

INSTALLATION D'UN Puits TUBÉ

1. Inspectez le clapet de pied pour vous assurer qu'il fonctionne librement. Inspectez la crépine pour vous assurer qu'elle est propre.
2. Connectez le clapet de pied et la crépine à la première longueur de la conduite d'aspiration et descendez le tuyau dans le puits. Ajoutez des sections de tuyau au besoin, en utilisant du ruban d'étanchéité pour filetage de tuyau PTFE sur les filetages mâles. Assurez-vous que toute la conduite d'aspiration est étanche, sinon la pompe perdra son amorçage et ne fonctionnera pas.
3. Installez le clapet de pied de 10 à 20 pieds (3 à 6 mètres) sous le niveau le plus bas auquel l'eau baissera pendant le fonctionnement de la pompe (niveau de pompage). Votre foreur de puits peut fournir ces informations.
 - Pour empêcher le sable et les sédiments de pénétrer dans le système de pompage, le clapet de pied/la crépine doivent être à au moins 5 pieds (1,5 mètres) au-dessus du fond du puits.
4. Lorsque la profondeur appropriée est atteinte, installez un joint d'étanchéité sanitaire sur le tuyau et dans le tubage de puits. Serrez les boulons pour sceller le tubage.
5. Lorsque vous utilisez un clapet de pied, un té d'amorçage et un bouchon sont recommandés (figure 1).

INSTALLATION D'UN Puits CREUSÉ

Suivez les mêmes instructions que celles décrites dans « Installation du puits tubé ».

INSTALLATION DE LA POINTE DE Puits INSTANTANÉ

1. Connectez la conduite d'aspiration à la pointe filtrante (figure 2). Gardez le circuit de tuyau horizontal aussi court que possible. Utilisez du ruban d'étanchéité pour filetage de tuyau PTFE sur les filetages mâles. Plusieurs pointes filtrantes peuvent être nécessaires pour fournir suffisamment d'eau à pomper.
2. Installez un clapet anti-retour dans le tuyau horizontal. Assurez-vous que la flèche de débit du clapet anti-retour est dirigée vers la pompe.

INSTALLATION DE LA TUYAUTERIE HORIZONTALE DU Puits À LA POMPE

1. N'installez jamais une conduite d'aspiration plus petite que l'orifice d'aspiration de la pompe.
2. Pour faciliter l'amorçage avec les installations de pointes filtrantes, installez un clapet anti-retour comme indiqué sur la figure 2. Assurez-vous que la flèche de débit du clapet anti-retour est dirigée vers la pompe.

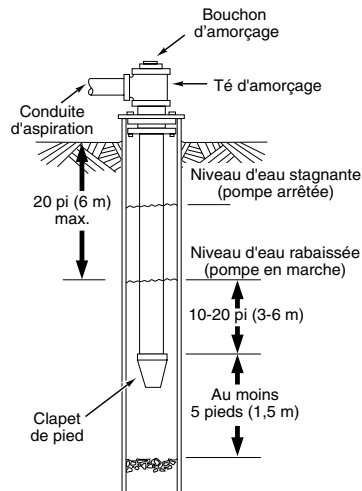


Figure 1 – Installation d'un puits tubé/creusé

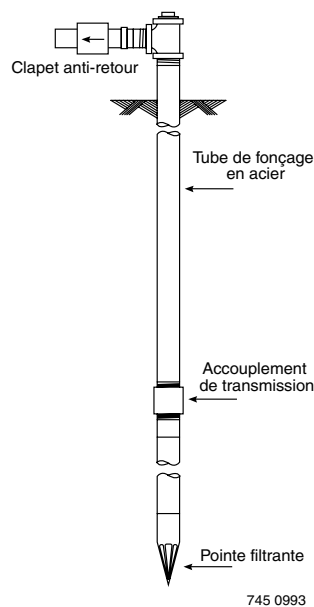


Figure 2 – Installation de la pointe filtrante

DIMENSIONS DU TUYAU DE REFOULEMENT

1. Si vous augmentez la taille du tuyau de refoulement, installez un raccord réducteur dans l'orifice de refoulement de la pompe. N'augmentez pas la taille du tuyau par étapes.
2. Lorsque la pompe est éloignée des points d'utilisation de l'eau, la taille du tuyau de refoulement doit être augmentée pour réduire les pertes de pression causées par la friction.
 - Circuit jusqu'à 100 pi (30 m) : même taille que l'orifice de refoulement de la pompe.
 - Circuit de 100 pi à 300 pi (30 m à 90 m) : augmentez d'une taille de tuyau.
 - Circuit de 300 pi à 600 pi (90 m à 182 m) : augmentez de deux tailles de tuyau.

INSTALLATION

APPLICATION D'ARROSAGE DE PELOUSE

Cette pompe est conçue pour un bassin, une citerne ou des pointes filtrantes. Le refoulement de la pompe peut être divisé pour alimenter deux (2) systèmes d'arrosage ou plus. Une suggestion de refoulement multiple pour la mise en service est illustrée à la figure 3.

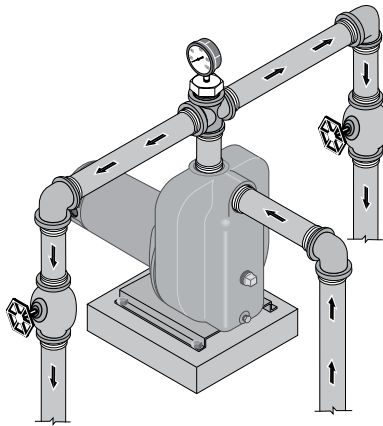


Figure 3 - Refoulement multiple

INSTALLATION DE POMPE/TUYAUTERIE

Utilisez uniquement du ruban d'étanchéité pour filetage de tuyau PTFE pour effectuer tous les raccords filetés à la pompe elle-même. N'utilisez pas de pâtes à joint pour tuyaux sur les pompes en plastique : elles peuvent réagir avec le plastique des composants de la pompe.

Assurez-vous que tous les raccords de la conduite d'aspiration sont étanches à l'air aussi bien qu'à l'eau. Si la conduite d'aspiration peut aspirer de l'air, la pompe ne pourra pas aspirer l'eau du puits.

1. Boulonnez la pompe sur une fondation solide et de niveau.
2. Soutenez toute la tuyauterie connectée à la pompe.
 - Installez la pompe aussi près que possible de la tête de puits. Les longs circuits et les nombreux raccords créent de la friction et réduisent le débit.
3. Enveloppez 1-1/2 à 2 couches de ruban d'étanchéité pour filetage de tuyau PTFE dans le sens des aiguilles d'une montre (lorsque vous faites face à l'extrémité du tuyau) sur tous les filetages mâles fixés à la pompe.

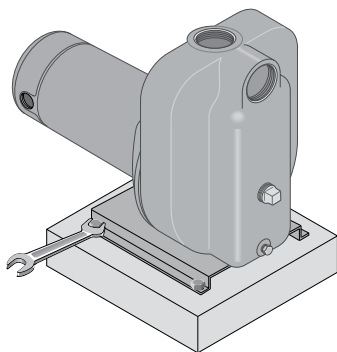


Figure 4 - Boulonnez la pompe vers le bas

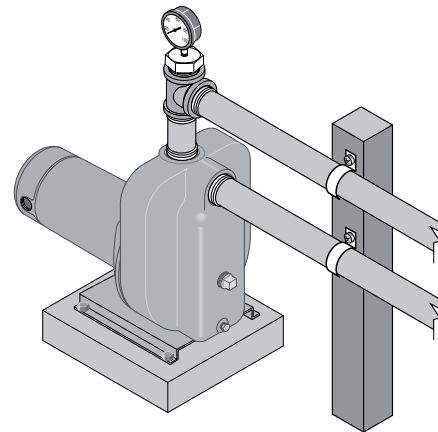
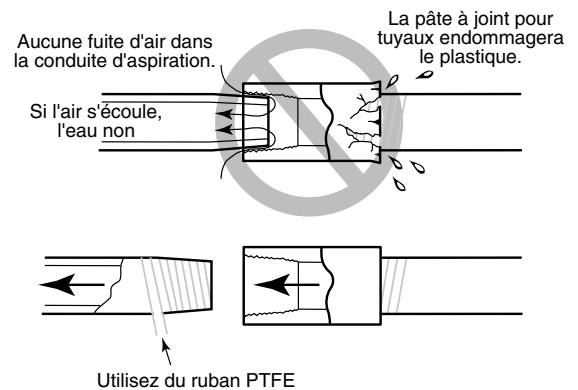
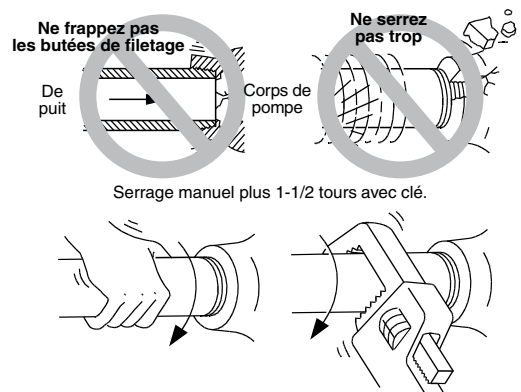


Figure 5 - Soutenez de façon indépendante toute la tuyauterie attachée à la pompe.

4. Serrez les joints à la main plus 1-1/2 tours. Ne serrez pas trop.
5. Si de longs circuits de tuyaux horizontaux doivent être utilisés, installez un té d'amorçage entre le clapet anti-retour et la tête de puits (figure 1). Utilisez un tuyau schedule 80 ou un tuyau en fer.



1102 0697



748 0993

INSTALLATION ÉLECTRIQUE

CÂBLAGE

Installer, mettre à la terre, câbler et entretenir cette pompe conformément aux exigences du code de l'électricité. Consultez votre inspecteur en bâtiment local pour plus d'informations à propos des codes. Lisez et suivez tous les avertissements ci-dessous.


⚠ AVERTISSEMENT Tension dangereuse. Peut choquer, brûler ou entraîner la mort. Débranchez l'alimentation électrique au moteur avant de travailler sur la pompe ou le moteur. Mettre le moteur à la terre avant de le connecter à l'alimentation.

⚠ Pour éviter un choc électrique dangereux ou mortel, coupez l'alimentation électrique au moteur avant de travailler sur les connexions électriques.

⚠ La tension d'alimentation doit se situer à $\pm 10\%$ de la tension indiquée sur la plaque signalétique. Une tension inappropriée peut provoquer un incendie ou endommager le moteur et annule la garantie. En cas de doute, consultez un électricien agréé.

⚠ Utilisez la taille de câble précisée dans le tableau de câblage de ce manuel.

⚠ Câblez le moteur conformément au diagramme sur la plaque signalétique du moteur. Si le diagramme de la plaque signalétique diffère des diagrammes de ce manuel, suivez le diagramme de la plaque signalétique.

1. Fournir un sectionneur correctement fusionné pour la protection lors de travaux sur le moteur. Consultez les codes d'électricités locaux ou nationaux pour les exigences relatives aux interrupteurs*.
 2. Débranchez l'alimentation électrique avant d'effectuer l'entretien du moteur ou de la pompe. Si le sectionneur est hors de vue de la pompe, verrouillez-le ouvert et étiquetez-le pour éviter une application inattendue de l'alimentation électrique.
 3. Mettez la pompe à la terre de façon permanente à l'aide d'un câble de la même taille que celle spécifiée dans le tableau de câblage de ce manuel. Effectuez la connexion de mise à la terre à la borne de mise à la terre verte sous le capot de moteur marqué GRD. ou .
 4. Connectez le fil de terre à un fil mis à la terre dans le panneau de service, ou à une conduite d'eau souterraine en métal, ou à un tubage de puits d'au moins 10 pieds (3 mètres) de long. Ne raccordez pas à un tuyau en plastique ou à des raccords isolés.
- ⚠** Ne mettez pas à la terre à une conduite d'alimentation de gaz
5. Protégez les conducteurs porteurs et de mise à la terre actuels contre les coupures, la graisse, la chaleur, l'huile et les produits chimiques.
 6. Le moteur a une protection thermique interne automatique contre les surcharges. Si le moteur s'est arrêté pour des

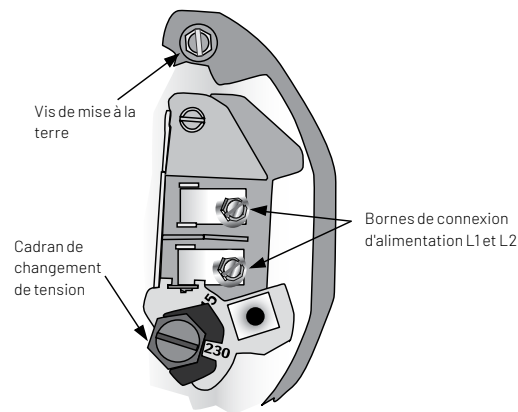


Figure 9 : Tension réglée sur un courant de 230 volts. Sélecteur rotatif

raisons inconnues, une surcharge thermique pourrait le redémarrer de manière inattendue, ce qui pourrait provoquer des blessures ou des dommages matériels. Débranchez l'alimentation électrique avant d'effectuer l'entretien du moteur.

7. Si cette procédure ou le diagramme de câblage prête à confusion, consultez un électricien agréé
 - Reportez-vous à la figure 9 pour la configuration du câblage.
 - Connectez les conducteurs porteurs de courant aux bornes L1 et L2. Lors du remplacement du moteur, vérifiez le diagramme de câblage sur la plaque signalétique du moteur. Pour les moteurs triphasés ou les moteurs dont le diagramme de câblage ne correspond pas à la figure 9, suivre le diagramme sur le moteur.

CONFIGURATION D'UTILISATION DE 115 VOLTS

Les modèles monophasés 115/230 volts sont configurés en usine pour une utilisation de 230 volts.

Si l'alimentation est de 115 volts :

1. Assurez-vous que l'alimentation est coupée.
2. Retirez le couvercle du moteur.
3. À l'aide d'un tournevis ou d'une clé 1/2 po, tournez le cadran sélecteur de tension dans le sens antihoraire sur le réglage de 115 volts.
4. Remettez le couvercle du moteur en place.

TABLEAU DE CÂBLAGE TAILLES DE FILS ET DE FUSIBLES RECOMMANDÉES

Modèle de la pompe	CV	Ampères de charge max.	Volts/ph	Hz	Intensité* d'ampères pour fusible de branchement*	DISTANCE EN PIEDS (MÈTRES) DU MOTEUR À L'ALIMENTATION			
						0 pi - 50 pi	51 pi - 100 pi	101 pi - 200 pi	201 pi - 300 pi
						TAILLE DU FIL (AWG)			
DS2HE	1	14,8/7,4	115/230/1	60	20/15	12/14	12/14	8/14	6/14
DS2HE3	1	3,6/1,8	230/460/3	60	15/1	14/14	14/14	14/14	14/14
DS2HF3	1-1/2	4,7/2,35	230/460/3	60	15/15	10/14	10/14	8/14	6/12
DS2HF3	1-1/2	4,7/2,35	230/460/3	60	15/15	14/14	14/14	14/14	14/14
DS2HG	2	24,0/12,0	115/230/1	60	30/15	12/14	10/14	6/14	6/12
DS2HG3	2	5,8/2,9	230/460/3	60	15/15	14/14	14/14	14/14	14/14
DS2HHG	2-1/2	24/12	115/230/1	60	30/15	12/14	10/14	6/14	6/12
DS2HHG3	2-1/2	6,9/3,45	230/460/3	60	15/15	14/14	14/14	14/14	14/14

(*) Fusibles à double élément ou fusibles temporisés à retardement recommandés pour tous les circuits de moteur.

OPÉRATIONS

AMORÇAGE DE LA POMPE

L'amorçage fait référence à la pompe expulsant tout l'air du système et commençant à déplacer l'eau de sa source vers le système. Il ne s'agit pas seulement de verser de l'eau dans la pompe (bien que verser de l'eau soit généralement la première étape).

1. Assurez-vous que les soupapes d'aspiration et de refoulement et tous les tuyaux du côté refoulement de la pompe sont ouverts.
2. Retirez le bouchon d'amorçage. Remplissez la pompe et la conduite d'aspiration d'eau (figure 10). **NE JAMAIS** faire fonctionner la pompe à sec. Faire fonctionner la pompe sans eau pourrait endommager les joints et faire fondre la turbine et le diffuseur. Assurez-vous que le refoulement (soupape, lance d'arrosage à poignée pistolet, etc.) est ouvert lorsque la pompe fonctionne.
 - Si un té d'amorçage et un bouchon ont été fournis pour un long circuit horizontal, assurez-vous de remplir la conduite d'aspiration à travers ce té et de remettre en place le bouchon. N'oubliez pas de coller le bouchon avec du ruban adhésif.
 - Remplacer le bouchon d'amorçage existant par un bouchon équipé d'un manomètre et d'un raccord de réduction facilitera le dépannage de la pompe.
3. Démarrez la pompe. L'eau devrait être produite en 10 minutes ou moins. Le temps dépend de la profondeur du puits jusqu'à l'eau et de la longueur du circuit horizontal. Si aucune eau n'est produite dans les 10 minutes, arrêtez la pompe, relâchez toute la pression, retirez le bouchon d'amorçage, remplissez et réessayez.

⚠ AVERTISSEMENT Pression dangereuse et risque d'explosion et de brûlure. Si la pompe fonctionne en continu sans débit (c'est-à-dire avec arrêt du refoulement ou sans amorçage), l'eau peut bouillir dans la pompe et le système de tuyauterie. Sous la pression de la vapeur, les tuyaux peuvent se rompre, se détacher des raccords ou éclater des orifices de la pompe et brûler quiconque à proximité.

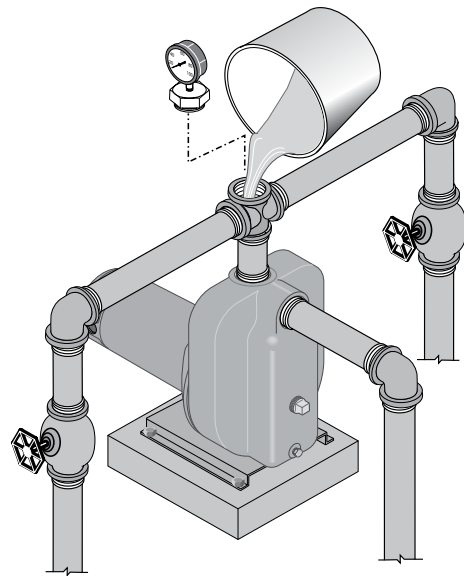


Figure 10 – Retirer le bouchon d'amorçage et remplir la pompe avant de démarrer

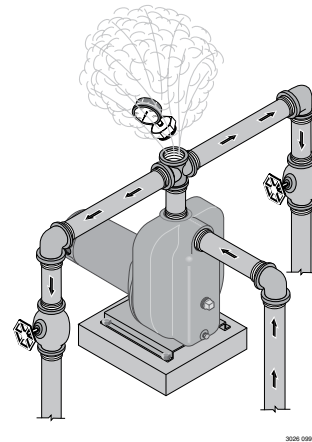


Figure 12 – Ne pas faire fonctionner la pompe avec un arrêt de refoulement.

ENTRETIEN

Il n'est pas nécessaire de déconnecter la pompe et la tuyauterie pour réparer ou remplacer le moteur ou le joint.

Si le moteur est remplacé, un nouveau joint d'arbre doit être installé. Gardez un joint d'arbre supplémentaire à portée de main pour les besoins futurs.

Vérifiez l'étiquette du moteur pour les instructions de lubrification. Le joint mécanique de l'arbre dans la pompe est lubrifié à l'eau et autoréglable.

DÉMONTAGE DE LA POMPE

Vidangez la pompe lors de la déconnexion du service ou lorsqu'elle peut geler.

1. Débranchez le courant au moteur.
2. Marquez les fils pour un assemblage correct.
3. Relâchez toute la pression d'eau du système.
4. Retirez le bouchon de vidange et vidangez la pompe.
5. Retirez les vis d'assemblage qui maintiennent la plaque d'étanchéité au corps de pompe. L'ensemble moteur et la plaque d'étanchéité peuvent maintenant être retirés du corps de pompe (figure 14).
6. Retirez DÉLICATEMENT le joint.

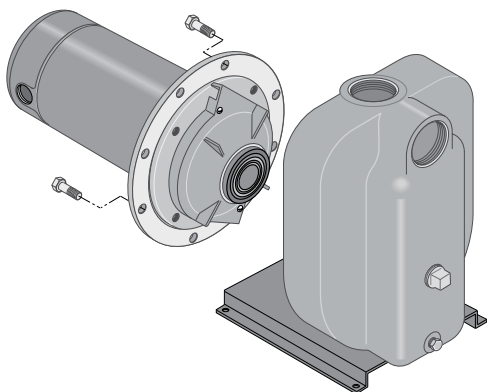
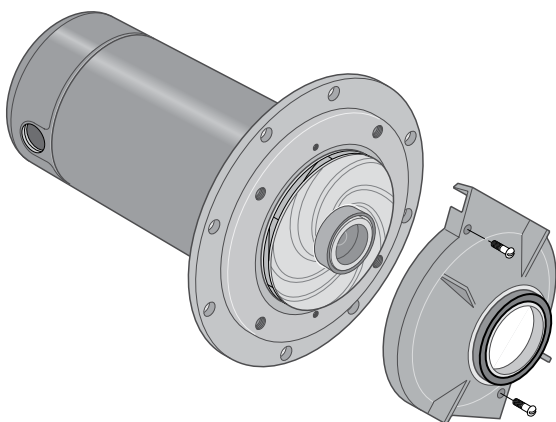


Figure 14 – Faites glisser l'arrière du moteur

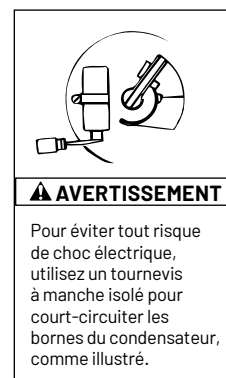
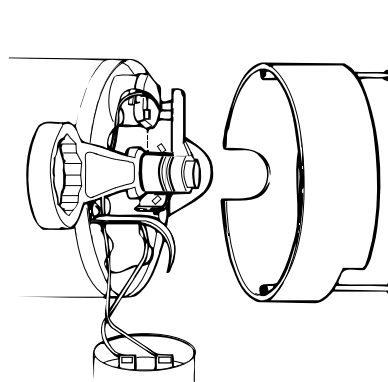
NETTOYAGE/REPLACEMENT DE LA TURBINE

1. Suivez les instructions sous « Démontage de la pompe ».
2. Retirez les vis fixant le diffuseur à la plaque d'étanchéité.



3028 0997

Figure 15 – Retirez le diffuseur



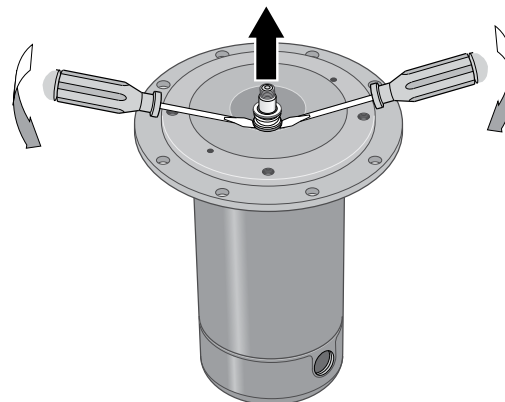
739 0993

Figure 16 – Tenez l'arbre

3. Retirez le diffuseur (figure 15). La turbine exposée peut maintenant être nettoyée.
4. Si la turbine doit être remplacée, desserrez deux vis à métaux et retirez le capot de moteur (figure 16).
5. **⚠ AVERTISSEMENT La tension du condensateur peut être dangereuse.** Pour décharger le condensateur, tenez le tournevis à manche isolé **PAR LE MANCHE** et court-circuitez les bornes de condensateur ensemble (figure 16). Ne touchez pas la lame de tournevis métallique ou les bornes du condensateur. En cas de doute, consultez un électricien qualifié.
6. Dévissez la pince du condensateur et retirez le condensateur. Ne déconnectez pas les fils du condensateur du moteur.
7. Glissez une clé à fourche de 7/16 po derrière l'interrupteur à rappel à l'extrémité du moteur de l'arbre. Tenez l'arbre du moteur avec une clé sur les méplats de l'arbre et dévissez la vis de la turbine (si usée) en tournant dans le sens horaire (filetage à gauche) en regardant dans l'œil de la turbine.
8. Dévissez la turbine tout en maintenant l'arbre en tournant dans le sens antihoraire tout en regardant dans l'œil de la turbine.
9. Pour réinstaller, inversez les étapes 1 à 6 et suivez les instructions de la section « Remontage de la pompe » ci-dessous.

RETRAIT DU VIEUX JOINT

1. Suivez les instructions sous « Démontage de la pompe ».
2. Suivez les étapes 2 à 5 sous « Nettoyage/remplacement de la turbine ».



3029 0997

Figure 17 – Retirez la plaque d'étanchéité

ENTRETIEN

- Retirez la moitié rotative du joint en plaçant deux tournevis sous la bague d'étanchéité et en poussant **délicatement** vers le haut (figure 17).
- Retirez les écrous des goujons maintenant la plaque d'étanchéité au moteur. Faites glisser délicatement la plaque d'étanchéité de l'arbre.
AVIS : assurez-vous de ne pas rayer ou abîmer l'arbre. Si l'arbre est abîmé, il doit être lissé avec une fine toile émeri ou à polir avant d'installer un nouveau joint. NE PAS réduire le diamètre de l'arbre!
- Placez la plaque d'étanchéité face à moitié vers le bas sur une surface plane et retirez la moitié fixe du joint (figure 18).

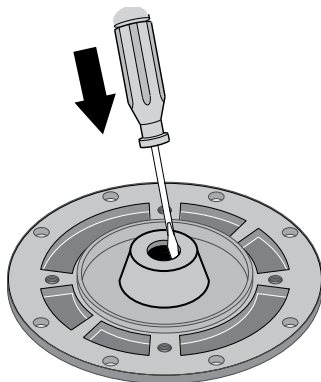


Figure 18 – Retirez le joint

INSTALLATION D'UN NOUVEAU JOINT

Les joints d'étanchéité et les joints toriques ne sont pas interchangeables selon les modèles. Assurez-vous d'installer le genre de joint d'étanchéité ou de joint torique que vous avez enlevé.

- Nettoyer la cavité du joint dans la plaque d'étanchéité.
- Mouiller légèrement le bord extérieur de la coupelle en caoutchouc sur le siège en céramique avec du savon liquide.
- Mettre une rondelle de carton propre sur la face du joint. La face polie du joint en céramique doit être tournée vers le haut. Presser fermement et carrément le joint en céramique dans la cavité en utilisant uniquement la pression de la main.
- Si le joint ne s'installe pas correctement :
 - Retirez le joint en plaçant le côté poli vers le haut sur le banc de travail. Nettoyez à nouveau la cavité et installez-la comme indiqué à l'étape précédente.
 - Si le joint ne s'installe toujours pas correctement après avoir nettoyé à nouveau la cavité, placez une rondelle de carton sur la face polie du joint et appuyez délicatement en utilisant un morceau de tuyau standard de 3/4 de pouce comme une presse, en faisant attention de ne pas rayer la face du joint.
- Jetez la rondelle de carton et vérifiez la face du joint pour vous assurer qu'elle est exempte de saleté, de particules étrangères, de rayures et de graisse.
- Inspectez l'arbre pour vous assurer qu'il est exempt d'entailles et de rayures.
- Remontez la moitié du corps de pompe sur la bride du moteur.
ASSUREZ-VOUS que c'est le bon côté vers le haut.
- Appliquez légèrement du savon liquide (une goutte suffit) au diamètre intérieur de l'élément d'étanchéité rotatif.
- Faites glisser l'élément d'étanchéité rotatif (face carbone en premier) sur l'arbre jusqu'à ce que la bague d'entraînement en caoutchouc heurte l'épaulement de l'arbre.

AVIS : veillez à ne pas entailler ni rayer la face en carbone du joint en le passant au-dessus de l'extrémité fileté de l'arbre ou de l'épaulement de l'arbre. La surface en carbone doit rester propre, sinon la durée de vie du joint sera courte.

- Tenez l'arbre du moteur avec une clé à fourche de 7/16 po sur les méplats de l'arbre et vissez la turbine sur l'arbre.

Assurez-vous de ne pas toucher les bornes du condensateur avec le corps ou tout autre objet métallique.

Le serrage de la turbine placera automatiquement le joint dans la bonne position.

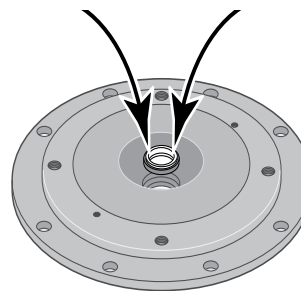


Figure 19 – Appuyez sur le nouveau joint

Veillez à ce que l'épaulement de l'arbre moteur... n'endommage pas la face du joint d'étanchéité

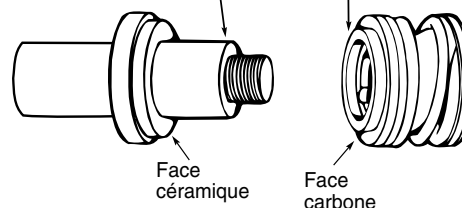


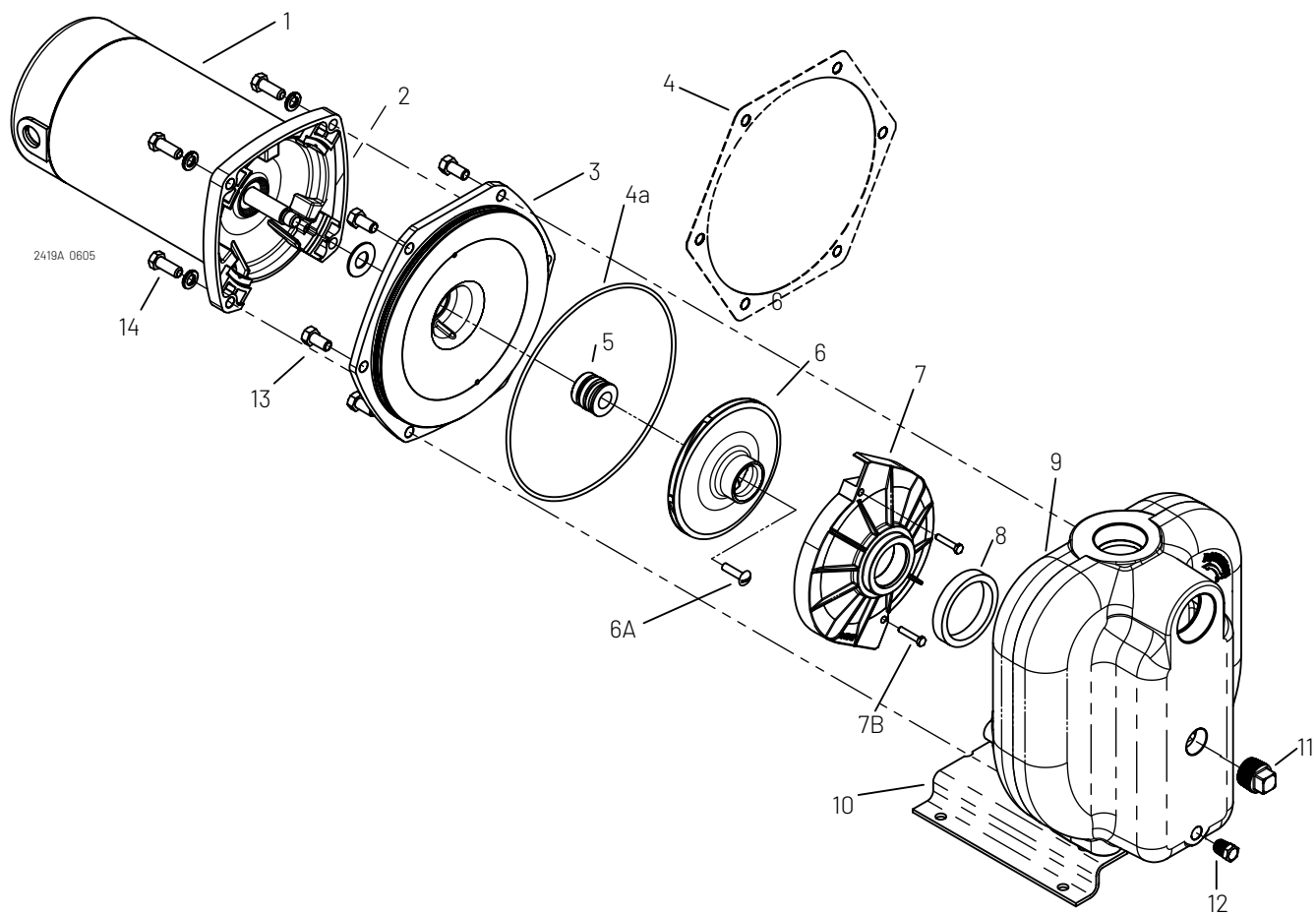
Figure 20 – Protégez les faces du sceau

- Remplacez la vis de la turbine (si usée) en tournant dans le sens antihoraire (filetage à gauche) dans l'extrémité de l'arbre.
- Remontez le diffuseur sur la plaque d'étanchéité avec deux vis.
- Suivez les instructions sous « Remontage de la pompe ».

REMONTAGE DE LA POMPE

- Nettoyez les surfaces du joint d'étanchéité ou du joint torique sur le corps de pompe et la plaque d'étanchéité. Installez un nouveau joint d'étanchéité ou joint torique conformément aux instructions d'« Installation d'un nouveau joint ».
- Glissez l'ensemble moteur/plaque d'étanchéité au corps de pompe. Fixez avec des vis d'assemblage.
- Remplacez les boulons de montage de la base.
- Remplacez le câblage du moteur; fermez le robinet de vidange.
- Amorcer la pompe conformément aux instructions. Voir « Opération ».
- Vérifiez les fuites.

PIÈCES DE RECHANGE



PIÈCES DE RECHANGE

Clé No.	Description de la pièce	NUMÉRO DE MODÈLE			
		DS2HE-191PL DS2HE3-191P 1 CV	DS2HF-191PL DS2HE3-192P 1-1,2 CV	DS2HE-102L DS2HE3-102 2 CV	DS2HHG-53L DS2HHG3-53 2-1/2 CV
1	Moteur, 115/230 V, monophasé	A100ELL	A100FLL	–	–
1	Moteur, 230 V, monophasé	–	–	A100GSL	AE100G5LL
1	Moteur, 230/460 V, triphasé	AP100EL	AP100FL	AP100GL	AP100G5L
2	Défecteur d'eau	17351 - 0009	17351 - 0009	17351 - 0009	17351 - 0009
3	Plaque d'étanchéité	C3-155	C3-155	C3-117	C3-117
4	Joint - Plaque d'étanchéité	C20-86	C20-86	C20-87	C20-87
4A	Joint torique	-	25276	34516	-
5	Joint d'arbre	U109-6A	U109-6A	U109-6A	U109-6A
6	Turbine	C105-92PKB	C105-92PCB	C105-214PDA	C105-214PA
6A	Vis de turbine (monophasée)	–	–	C30-14SS	C30-14SS
6A	Vis de turbine (triphasee)	C30-14SS	C30-14SS	C30-14SS	C30-14SS
7	Diffuseur	C101-276P	C101-276P	C101-182	C101-182
7B	Vis 1/4-20 x 1 po L. (2)	U30-696SS	U30-696SS	–	–
7B	Vis à métaux 8-32 x 7/8 po L. (2)	–	–	U30-53SS	U30-53SS
8	Bague de diffuseur	C21-10	C21-10	C21-2	C21-2
9	Ensemble de corps de pompe	C176-49B	C176-49B	C76-50	C76-50
10	Base	U4-5	U4-5	U4-5	U4-5
11	Bouchon de tuyau 3/4 po NPT - Tête carrée	U78-60ZPS	U78-60ZPS	U78-60ZPS	U78-60ZPS
12	Bouchon 1/4 po NPT à tête hexagonale	U78-941ZPV	U78-941ZPV	U78-941ZPV	U78-941ZPV
13	Vis d'assemblage 3/8-16 x 3/4 po L. (6)	U30-72ZP	U30-72ZP	–	–
13	Vis d'assemblage 5/16-18 x 3/4 po L. (8)	–	–	U30-60ZP	U30-60ZP
14	Vis d'assemblage 3/8-16 x 1 po (4)	U30-74ZP	U30-74ZP	U30-74ZP	U30-74ZP**
•	Rondelle de frein 3/8 po (4)	U43-12ZP	U43-12ZP	–	–
•	Rondelle de frein - 3/8 po (2)	U43-12ZP	U43-12ZP	U43-12ZP	U43-12ZP
•	Vis d'assemblage 3/8-16 x 5/8 po L. (2)	U30-71ZP	U30-71ZP	U30-71ZP	U30-71ZP

• Non illustré

** Le modèle DSHHG-53L utilise U30-99S.

NOTE : La quantité est de un, sauf indication contraire entre parenthèses ().

TABLEAU DE DÉPANNAGE

Symptôme	Cause(S) possible(S)	Mesure corrective
Le moteur ne fonctionne pas	Le sectionneur est éteint	Assurez-vous que l'interrupteur est allumé
	Le fusible est grillé	Remplacez le fusible
	Le commutateur de démarrage est défectueux	Remplacez le commutateur de démarrage
	Les câbles du moteur sont desserrés, débranchés ou mal câblés	Reportez-vous aux instructions de câblage. Vérifiez et serrez tout le câblage. ⚠ AVERTISSEMENT La tension du condensateur peut être dangereuse. Pour décharger le condensateur, tenez le tournevis à manche isolé PAR LE MANCHE et court-circuitez les bornes du condensateur ensemble. Ne touchez pas la lame de tournevis métallique ou les bornes du condensateur. En cas de doute, consultez un électricien qualifié.
Le moteur chauffe et la surcharge se déclenche	Le moteur est mal câblé	Reportez-vous aux instructions de câblage
	La tension est trop faible	Vérifiez auprès de la compagnie d'électricité. Installez un filage de plus fort calibre si la taille du fil est trop petite (voir la section sur l'électricité de ce manuel)
Le moteur fonctionne mais aucune eau n'est acheminée	La pompe dans une nouvelle installation ne s'est pas mise en marche : 1. Vérifiez l'amorce avant de chercher d'autres causes. 2. Amorçage incorrect 3. Fuites d'air 4. Clapet de pied qui fuit	Dans une nouvelle installation : 1. Dévissez le bouchon d'amorçage et assurez-vous qu'il y a de l'eau dans le corps de pompe 2. Réamorcez conformément aux instructions 3. Vérifiez toutes les connexions sur la conduite d'aspiration 4. Remplacez le clapet de pied
	La pompe a perdu son amorçage : 1. Vérifiez l'amorce avant de chercher d'autres causes. 2. Fuites d'air 3. Niveau d'eau sous l'aspiration de la pompe	Dans une installation déjà en service : 1. Dévissez le bouchon d'amorçage et assurez-vous qu'il y a de l'eau dans le corps de pompe 2. Vérifiez toutes les connexions sur la conduite d'aspiration et le joint d'arbre 3. Abaissez la conduite d'aspiration dans l'eau et réamorcez. Si le niveau d'eau abaissé dans le puits dépasse la hauteur d'aspiration, une pompe de puits profond est nécessaire
	La turbine est bouchée	Nettoyez la turbine selon les procédures de nettoyage/ remplacement de la turbine.
	Le clapet anti-retour ou le clapet de pied est coincé en position fermée	Remplacez le clapet anti-retour ou le clapet de pied
	Les tuyaux sont gelés	Dégelez les tuyaux. Enterrez les tuyaux sous la ligne de gel. Fosse de chaleur ou station de pompage
	Le clapet de pied et/ou la crépine sont ensevelis sous le sable ou la boue	Soulevez le clapet de pied et/ou la crépine au-dessus du fond du puits
La pompe ne fournit pas d'eau à pleine capacité	Un clapet de pied qui fuit provoque une perte d'amorçage	Remplacez le clapet de pied
	Le niveau d'eau dans le puits est supérieur à 25 pieds sous l'aspiration de la pompe	Une pompe à jet pour puits profond peut être nécessaire
	La tuyauterie en acier (si utilisée) est corrodée ou chaulée, provoquant une friction excessive	Remplacez par un tuyau en plastique si possible, sinon avec un nouveau tuyau en acier
	La tuyauterie décalée est trop petite	Utilisez une tuyauterie décalée plus grande

GARANTIE

STA-RITE* garantit à l'acheteur consommateur original (« Acheteur » ou « Vous »), les produits énumérés ci-dessous, qu'ils ne présenteront aucun défaut matériel ou de fabrication pour la période de garantie indiquée ci-dessous.

Produit	Période de garantie
Produits de systèmes d'eau – pompes à jet, petites pompes centrifuges, pompes immergées et accessoires associés	selon la première éventualité : 12 mois à compter de la date d'installation d'origine, ou 18 mois à compter de la date de fabrication
Pro-Source™ Composite Tanks	5 ans à compter de la date d'installation d'origine
Pro-Source™ Steel Pressure Tanks	5 ans à compter de la date d'installation d'origine
Pro-Source™ Epoxy-Lined Tanks	3 ans à compter de la date d'installation d'origine
Puisard/Eaux usées/Produits pour effluents	12 mois à compter de la date d'installation d'origine, ou 18 mois à compter de la date de fabrication

Notre garantie ne s'appliquera pas à tout produit qui, à notre seul jugement, a fait l'objet d'une négligence, d'une mauvaise application, d'une mauvaise installation ou d'un mauvais entretien. Sans limiter ce qui précède, l'utilisation d'un moteur triphasé avec une alimentation monophasée par un convertisseur de phase annulera la garantie. Notez également que les moteurs triphasés doivent être protégés par des relais de surcharge triphasés, à compensation ambiante et à déclenchement extra-rapide de la taille recommandée, sinon la garantie est nulle.

Votre seul recours, et le seul devoir de STA-RITE, est que STA-RITE répare ou remplace les produits défectueux (au choix de STA-RITE). Vous devez payer tous les frais de main-d'œuvre et d'expédition associés à cette garantie et demander le service de garantie auprès du concessionnaire installateur dès qu'un problème est découvert. Aucune demande de service ne sera acceptée si elle est reçue après l'expiration de la période de garantie. Cette garantie n'est pas transférable.

STA-RITE NE SERA PAS RESPONSABLE DES DOMMAGES CONSÉCUTIFS, ACCESSOIRES OU INDIRECTS QUELS QU'ILS SOIENT.

LES GARANTIES QUI PRÉCÈDENT SONT EXCLUSIVES ET REMPLACENT TOUTES LES AUTRES GARANTIES EXPRESSES ET IMPLICITES, Y COMPRIS, MAIS SANS S'Y LIMITER, LES GARANTIES IMPLICITES DE QUALITÉ MARCHANDE ET D'ADAPTATION À UN USAGE PARTICULIER. LES GARANTIES QUI PRÉCÈDENT NE S'ÉTENDENT PAS AU-DELÀ DE LA DURÉE EXPRESSÉMENT PRÉVUE AUX PRÉSENTES.

Certains États n'autorisent pas l'exclusion ou la limitation des dommages accessoires ou indirects ou la limitation de la durée d'une garantie implicite, de sorte que les limitations ou exclusions ci-dessus peuvent ne pas vous concerner. Cette garantie vous donne des droits légaux spécifiques et vous pouvez également avoir d'autres droits qui varient d'un état à l'autre.

La présente garantie limitée entre en vigueur le 1er juin 2011 et remplace toutes les garanties non datées et les garanties datées d'avant le 1er juin 2011.

STA-RITE INDUSTRIES

293 Wright Street • Delavan, WI U.S.A. 53115

Téléphone : 1-888-782-7483 • Télécopieur : 1-800-426-9446 • Site Web : sta-rite.com



293 WRIGHT STREET | DELAVAN, WI 53115 | PH: 866-973-6835 | ORDERS FAX: 800.321.8793 | PENTAIR.COM

*For a detailed list of where Pentair trademarks are registered, please visit www.pentair.com/en/registrations.html. Pentair trademarks and logos are owned by Pentair plc. or its affiliates. Third party registered and unregistered trademarks and logos are the property of their respective owners. Because we are continuously improving our products and services, Pentair reserves the right to change specifications without prior notice. Pentair is an equal opportunity employer.

S30, 11/21/19 ©2019 Pentair All Rights Reserved.