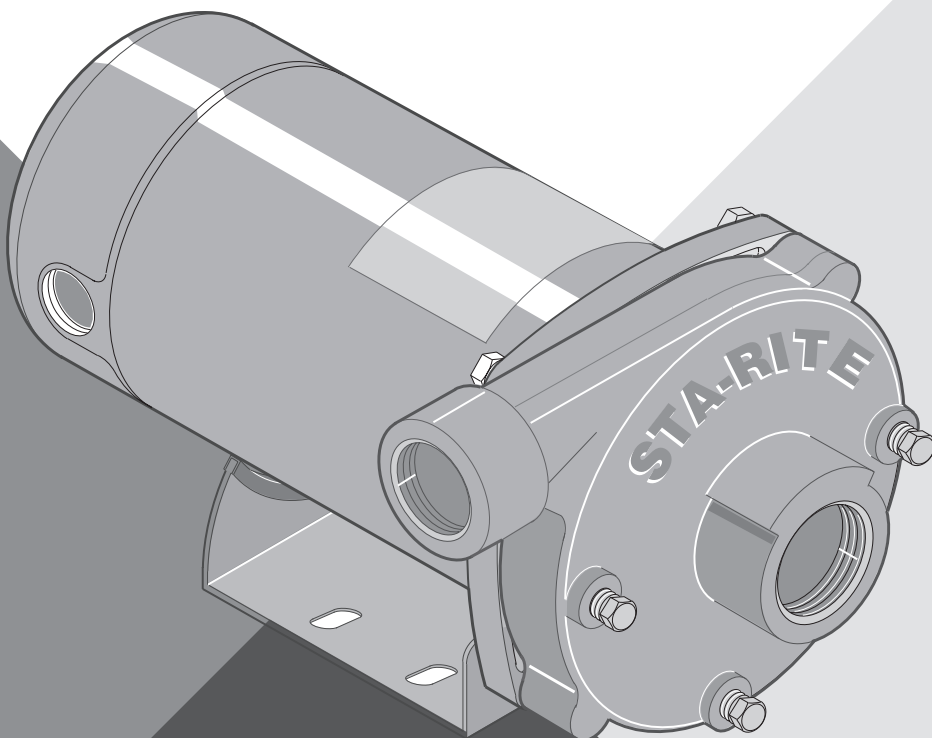




60 CYCLE CENTRIFUGAL PUMP

J SERIES-JB SERIES

ENGLISH: 1-16 ♦ ESPAÑOL: 17-32



INSTALLATION AND OPERATION MANUAL

pentair.com

TABLE OF CONTENTS:

Safety Information	3
Installation.....	4-6
Maintenance.....	7
Repair Partsist.....	8-13
Troubleshooting	14
Warranty.....	15

SAFETY INFORMATION

IMPORTANT SAFETY INSTRUCTIONS

SAVE THESE INSTRUCTIONS: For optimal performance and operation, read these instructions carefully before installing your new pump. This manual provides valuable guidance and instructions that should be followed to perform installation, operation and maintenance procedures for this product. It should be kept near the installation for immediate reference. Record nameplate data from your new pump on the blank template located in "Maintenance" on Page 7 for future reference.

⚠ This is the safety alert symbol. When you see this symbol on your pump or in this manual, look for one of the following signal words and be alert to the potential for personal injury.

⚠ DANGER warns about hazards that will cause serious personal injury, death or major property damage if ignored.

⚠ WARNING warns about hazards that can cause serious personal injury, death or major property damage if ignored.

⚠ CAUTION warns about hazards that will or can cause minor personal injury or property damage if ignored.

NOTICE indicates special instructions which are important but not related to hazards.

The hazards stated in this manual are not all-inclusive. To minimize the risk of hazard, it is strongly recommended that installation, operation and maintenance be performed by a qualified professional in accordance with local codes and standards for safe operation.

CALIFORNIA PROPOSITION 65 WARNING

⚠ WARNING This product and related accessories contain chemicals known to the State of California to cause cancer, birth defects or other reproductive harm.

ELECTRICAL SAFETY

⚠ WARNING Risk of electric shock. Can shock, burn or kill. All wiring should be done by a qualified electrician.

- ◆ Wire motor for correct voltage. See "Installation" section (refer to page 5) of this manual and motor nameplate.
- ◆ Ground motor before connecting to power supply.
- ◆ Follow wiring instructions in this manual when connecting motor to power lines.
- ◆ A complete power disconnect switch must be incorporated in the fixed wiring.
- ◆ Install, ground, wire and maintain your pump in compliance with all applicable national and local codes and ordinances. Consult your local building inspector for code information.

GENERAL SAFETY

⚠ WARNING Risk of explosion. The pump body may explode if used to boost pressure above the pressures noted on Page 3. Do not use this pump with inlet pressure greater than 70 psi (483 kPa) or less than 3 psi (20.7 kPa). If not already in the piping system, install a pressure relief valve in the pump discharge line capable of passing the full pump flow at maximum rated pressure. If local code requires installation of a pressure relief valve capable of handling the full pump flow at a pressure less than 100 psi (689 kPa), follow the code requirements.

⚠ WARNING Risk of fire or explosion. To avoid risk of fire and explosion, pump water only with this pump. Do not pump salt water, flammable liquids or chemicals. Do not use the pump near gas pilot lights or where chemical or gas fumes are present. Use of an electric pump with liquids other than water or in an atmosphere containing chemical or gas fumes may ignite those liquids or gases and cause injury or death due to an explosion and/or fire. Pump approved liquids only with this pump.

⚠ CAUTION Risk of burns. If water is trapped in the pump during operation it may turn to steam. Trapped steam may cause an explosion resulting in injury or property damage. Never run the pump with the outlet closed or obstructed.

⚠ CAUTION Risk of freezing. Do not allow pump, piping, or any other system component containing water to freeze. Freezing may damage system, leading to injury or flooding. Allowing pump or system components to freeze will void the warranty.

NOTICE only service agent or qualified person should replace power cord to avoid injury.

Periodically inspect pump and system components.

Wear safety glasses at all times when working on pumps.

Keep work area clean, uncluttered and properly lighted; store properly all unused tools and equipment.

ORDERING REPLACEMENT PARTS

Locate the Pentair Sta-Rite* nameplate on pump. This plate is normally on the pump case or bracket (seal plate). To ensure receipt of correct parts, provide all nameplate data when ordering. Catalog number is most important to reference. Write the nameplate information below, as nameplates can become worn or lost.

Model: _____

S.N. or Date: _____

Impeller Dia: _____

Catalog No: _____

INSTALLATION

PIPING - GENERAL

Support both suction and discharge piping independently at a point near the pump to avoid putting a strain on the pump housing. Start all piping **AT THE PUMP**.

Increase pipe diameter at both the suction and discharge by one (1) standard pipe size (minimum) to obtain desired performance and flow rate. Refer to Table I when sizing pipe for your pumping system.

NOTICE: Do not use pipe with **smaller** diameter on the suction side of pump.

PIPE TAPPING SIZE ON PUMP		RECOMMENDED PIPE SIZE	
Suction	Discharge	Suction	Discharge
1-1/4	1	1-1/2	1-1/4
1-1/2	1-1/4	2	1-1/2
2	1-1/2	3	2

Table I - Pipe Tapping and Recommended Pipe Size Data

SUCTION PIPE

Increase pipe size from pump tapping as shown in Table I shown above. Figure 1(Page 4) depicts a recommended run of pipe and fittings for the suction side of a centrifugal pump. Please refer to this illustration when choosing pipe and fittings for your suction connection.

IMPORTANT: All connections must be air tight! Figure 2(Page 4) depicts conditions that are **NOT DESIRABLE** on the suction side of a centrifugal pump and may cause problems in flow rate and priming. Please look this illustration over carefully before choosing pipe and fittings for your suction connection.

DISCHARGE PIPING

Increase pipe size from pump tapping as show in Table I. Figure 1(Page 4) depicts a recommended run of pipe and fittings for the discharge. Install tee with priming plug as close to pump as possible. Figure 2(Page 4) notes conditions that should be avoided. Please read over carefully before making discharge connection.

PRIMING THE PUMP

A pump is primed when all air in the suction line and pump volute has been evacuated and replaced with water.

To Prime:

1. Close valve in discharge line.
2. Remove priming plug from tee and fill pump and suction line with water until water is flowing back out of tee.
3. Replace priming plug.
4. Start pump and slowly open valve until desired water flow is achieved.

NOTICE: If water is not being pumped, turn off pump, close valve, and repeat steps 1 through 4.

If pump volute is rotated as shown in Figure 1(Page 4), loosen vent plug when priming to evacuate air trapped inside volute and tighten when volute is completely filled with water.

⚠ WARNING Risk of explosion and scalding. Never run pump against closed discharge. To do so can boil water inside pump, causing hazardous pressure buildup and possible explosion.

⚠ CAUTION Risk of flooding. Do not run the pump dry. This will damage mechanical seal and void warranty. It may cause burns to person handling pump.

⚠ CAUTION Motor normally operates at high temperature and will be too hot to touch. It is protected from heat damage during operation by an automatic internal cutoff switch. Before handling pump or motor, stop motor and allow it to cool for 20 minutes.

MOTOR HP	MAX. LOAD AMPERES	BRANCH FUSE † RATING AMPS	CIRCUIT BREAKER	DIAMETER IN FEET FROM MOTOR TO METER					
				0' TO 50'	51' TO 100'	101' TO 200'	201' TO 300'	301' TO 400'	401' TO 500'
				WIRE SIZE					
SINGLE PHASE - 115/230 VOLT									
1/3	9.4/4.7	15/15	30/30	14/14	14/14	10/14	10/14	6/14	6/12
1/2	9.4/4.7	15/15	30/30	14/14	14/14	10/14	10/14	6/14	6/12
3/4	12.2/6.1	20/15	40/30	12/14	12/14	10/14	8/14	6/12	6/12
1	14.8/7.4	20/15	40/30	12/14	12/14	8/14	6/14	6/12	4/10
1-1/2	19.2/9.6	25/15	50/30	10/14	10/14	8/14	6/12	4/10	4/10
2	24.0/12.0	30/15	60/30	12/14	10/14	6/14	6/12	4/10	4/10
2-1/2	/11.7	15/15	30/30	14/14	14/14	14/14	12/12	12/12	10/10
THREE PHASE - 230/460 VOLT									
1/2	2.3/1.15	15/15	30/30	14/14	14/14	14/14	14/14	14/14	14/14
3/4	3.1/1.55	15/15	30/30	14/14	14/14	14/14	14/14	14/14	14/14
1	3.6/1.8	15/15	30/30	14/14	14/14	14/14	14/14	14/14	14/14
1-1/2	4.7/2.35	15/15	30/30	14/14	14/14	14/14	14/14	14/14	14/14
2	6.8/3.4	15/15	30/30	14/14	14/14	14/14	14/14	12/14	12/14
2-1/2	8.5/4.25	15/15	30/30	14/14	14/14	14/14	14/14	12/14	10/14

† Time delay fuse or circuit breakers are recommended in any motor circuit.

Table II: Recommended Fusing and Wiring Data - 60 Cycle Motors

INSTALLATION

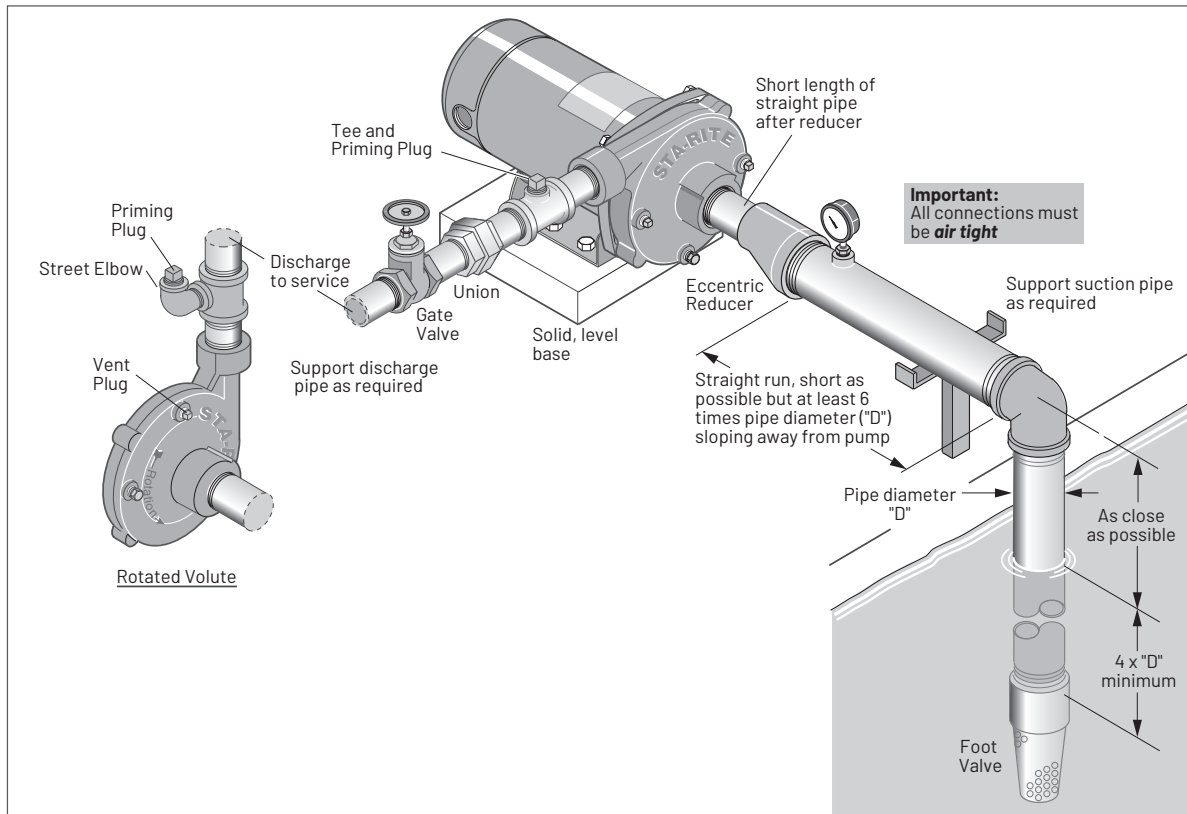


Figure 1 - Recommended Connections

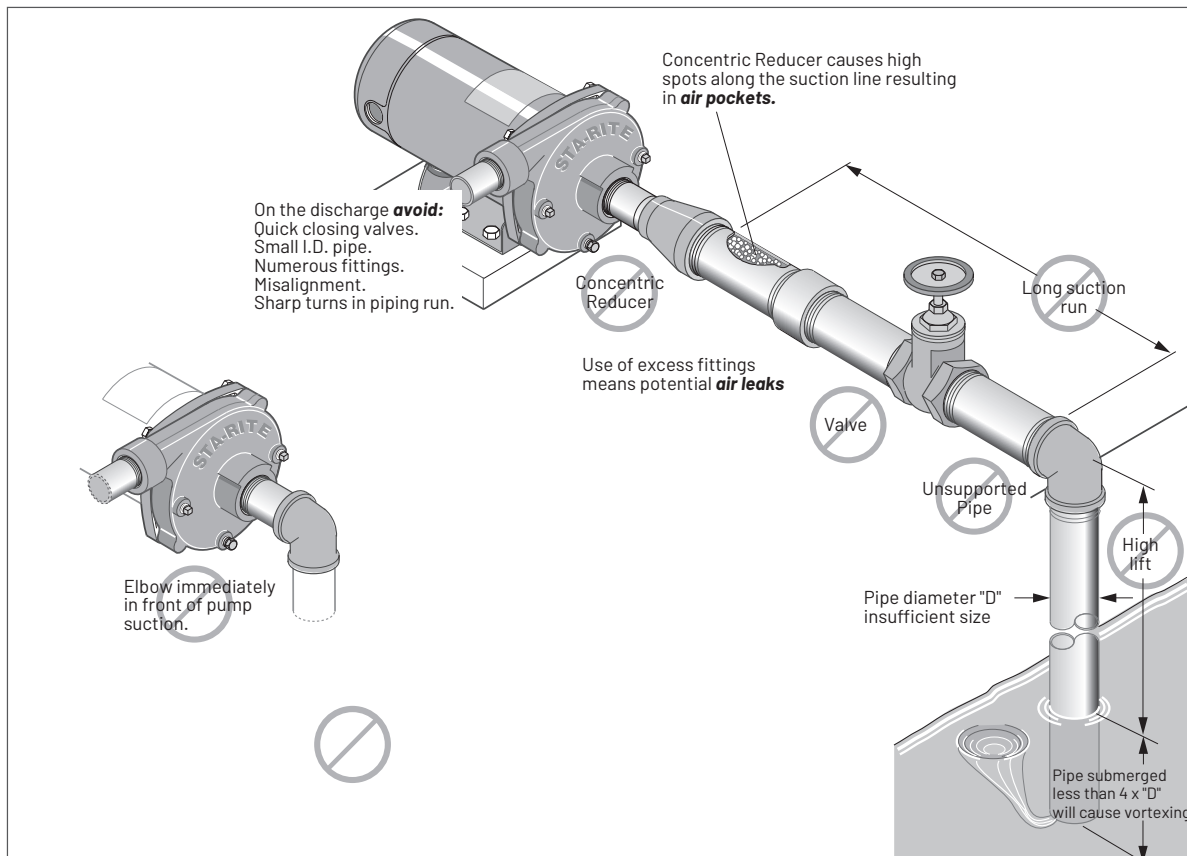


Figure 2 - Not Recommended Connections

INSTALLATION

CONNECTION DIAGRAM FOR DUAL VOLTAGE, SINGLE-PHASE MOTORS

Your dual-voltage motor's terminal board (under the motor end cover) will match one of the diagrams below. Follow that diagram if necessary to convert motor to 115 Volt power. Connect power supply wires to L1 and L2. For 3-phase motors, or if motor does not match these pictures, follow the connection diagram on the motor nameplate.

THE MOTOR IS SET FOR 230 VOLTS WHEN SHIPPED.

To change the motor to use 115 volts:

1. Turn off power
2. Remove the back motor cover.
3. Use a screwdriver or 1/2" wrench and turn the voltage selector dial counterclockwise until 115 shows in the dial opening.
4. Reinstall the motor cover.

⚠ WARNING Hazardous voltage. Can shock, burn, or cause death. Disconnect power to motor before working on pump or motor. Ground motor before connecting to power supply.



Figure 3: Changing the Voltage Setting

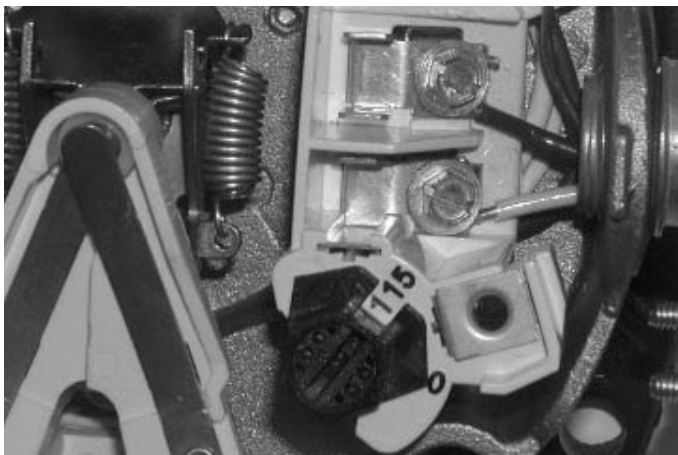


Figure 4: Motor Set for 115 Volt Operation

WIRING

- ⚠ Ground motor before connecting to electrical power supply. Failure to ground motor can cause severe or fatal electrical shock hazard.
- ⚠ Do not ground to a gas supply line.
- ⚠ To avoid dangerous or fatal electrical shock, turn OFF power to motor before working on electrical connections.
- ⚠ Supply voltage must be within $\pm 10\%$ of nameplate voltage. Incorrect voltage can cause fire or damage motor and voids warranty. If in doubt consult a licensed electrician.
- ⚠ Use wire size specified in Wiring Chart (Page 5). If possible, connect pump to a separate branch circuit with no other appliances on it.

WIRE MOTOR ACCORDING TO DIAGRAM ON MOTOR NAMEPLATE. IF NAMEPLATE DIAGRAM DIFFERS FROM DIAGRAMS ABOVE, FOLLOW NAMEPLATE DIAGRAM.

1. Install, ground, wire and maintain your pump in compliance with the National Electrical Code (NEC) in the U.S., or the Canadian Electrical Code (CEC), as applicable, and with all local codes and ordinances that apply. Consult your local building inspector for code information.
2. Provide a correctly fused disconnect switch for protection while working on motor. For switch requirements, consult your local building inspector for information about codes.
3. Disconnect power before servicing motor or pump. If the disconnect switch is out of sight of pump, lock it open and tag it to prevent unexpected power application.
4. Ground the pump permanently using a wire of the same size as that specified in Wiring Chart (Page 5). Make ground connection to green grounding terminal under motor canopy marked GRD. or ⏏ .
5. Connect ground wire to a grounded lead in the service panel or to a metal underground water pipe or well casing at least 10 feet long. Do not connect to plastic pipe or insulated fittings.
6. Protect current carrying and grounding conductors from cuts, grease, heat, oil, and chemicals.
7. Connect current carrying conductors to terminals L1 and L2 under motor canopy. When replacing motor, check wiring diagram on motor nameplate against Figure ##. If the motor wiring diagram does not match either diagram in Figure 3, follow the diagram on the motor. **IMPORTANT:** 115/230 Volt single phase models are shipped from factory with motor wired for 230 volts. If power supply is 115 volts, remove motor canopy and reconnect motor as shown in Figure 3. Do not try to run motor as received on 115 volt current.
8. Motor has automatic internal thermal overload protection. If motor has stopped for unknown reasons, thermal overload may restart it unexpectedly, which could cause injury or property damage. Disconnect power before servicing motor.
9. Always consult a licensed electrician for clarification of this procedure or the wiring diagrams.

MAINTENANCE

PUMP SERVICE

This centrifugal pump requires little or no service other than reasonable care and periodic cleaning. Follow the procedure outlined below for shaft seal replacement.

NOTICE: Pumps use mechanical seals with a rubber seat ring or a sealing O-Ring. **THESE SEALS ARE COMPLETELY INTERCHANGEABLE.**

NOTICE: The highly polished and lapped faces of this seal are easily damaged. Read instructions and handle the seal with care.

Some models are equipped with an impeller screw, which has a left-hand thread. Before unscrewing the impeller, remove the impeller screw.

REMOVAL OF OLD SEAL

1. After unscrewing impeller, carefully remove rotating part of seal by prying up on sealing washer, using two screwdrivers (see Figure 5-A shown below). Use care not to scratch motor shaft.
2. Remove seal plate from motor and place on flat surface, face down. Use a screwdriver to push ceramic seat out from seal cavity (see Figure 5-B shown below).

Installation of Floating Seat (See Figure 5-C shown below)

1. Clean polished surface of floating seat with clean cloth.
2. Turn seal plate over so seal cavity is up, clean cavity thoroughly.
3. Lubricate outside rubber surface of ceramic seat with soapy water and press firmly into seal cavity with finger pressure. If seat will not locate properly in this manner, place cardboard washer over polished face of seat and press into seal cavity using a 3/4" socket or 3/4" piece of standard pipe.
4. Dispose of cardboard washer. Be sure polished surface of seat is free of dirt and has not been damaged by insertion. Remove excess soapy water.

Installation of Rotating Part of Seal Unit (See Figure 5-D shown below)

1. Reinstall seal plate using extreme caution not to hit ceramic portion of seal on motor shaft.
2. Inspect shaft to make sure that it is clean.
3. Clean face of sealing washer with clean cloth.
4. Lubricate inside diameter and outer face of rubber drive ring with soapy water and slide assembly on motor shaft (sealing face first) until rubber drive ring hits shaft shoulder.
5. Screw impeller on shaft until impeller hub hits shaft shoulder. This will automatically locate seal in place and move the sealing washer face up against seat facing. Reinstall impeller screw (if used).

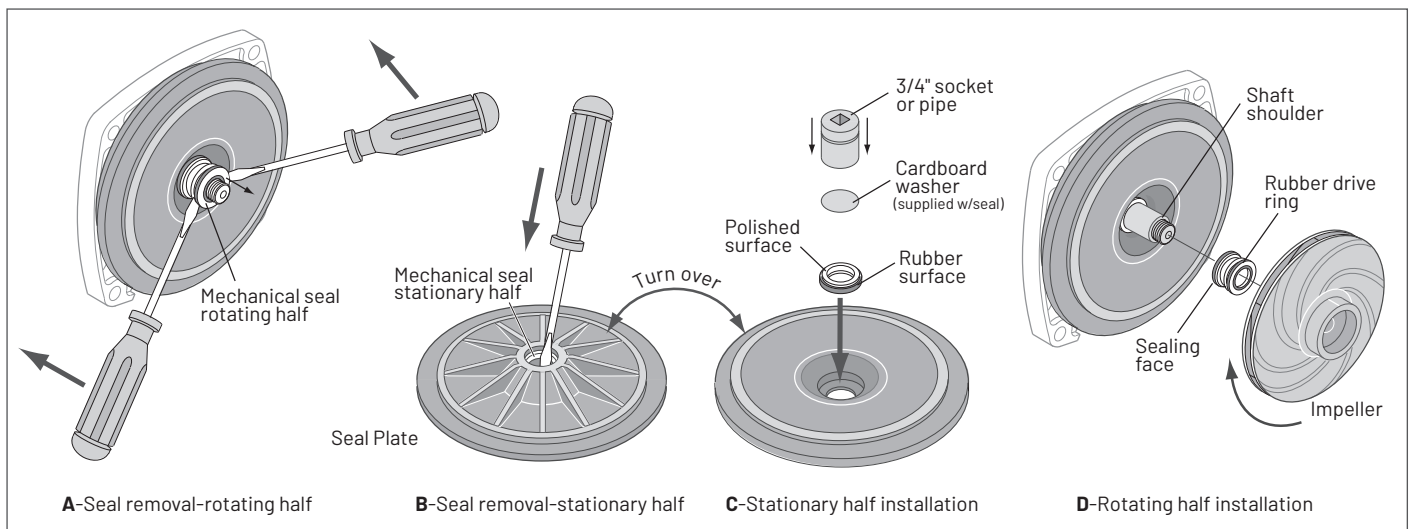
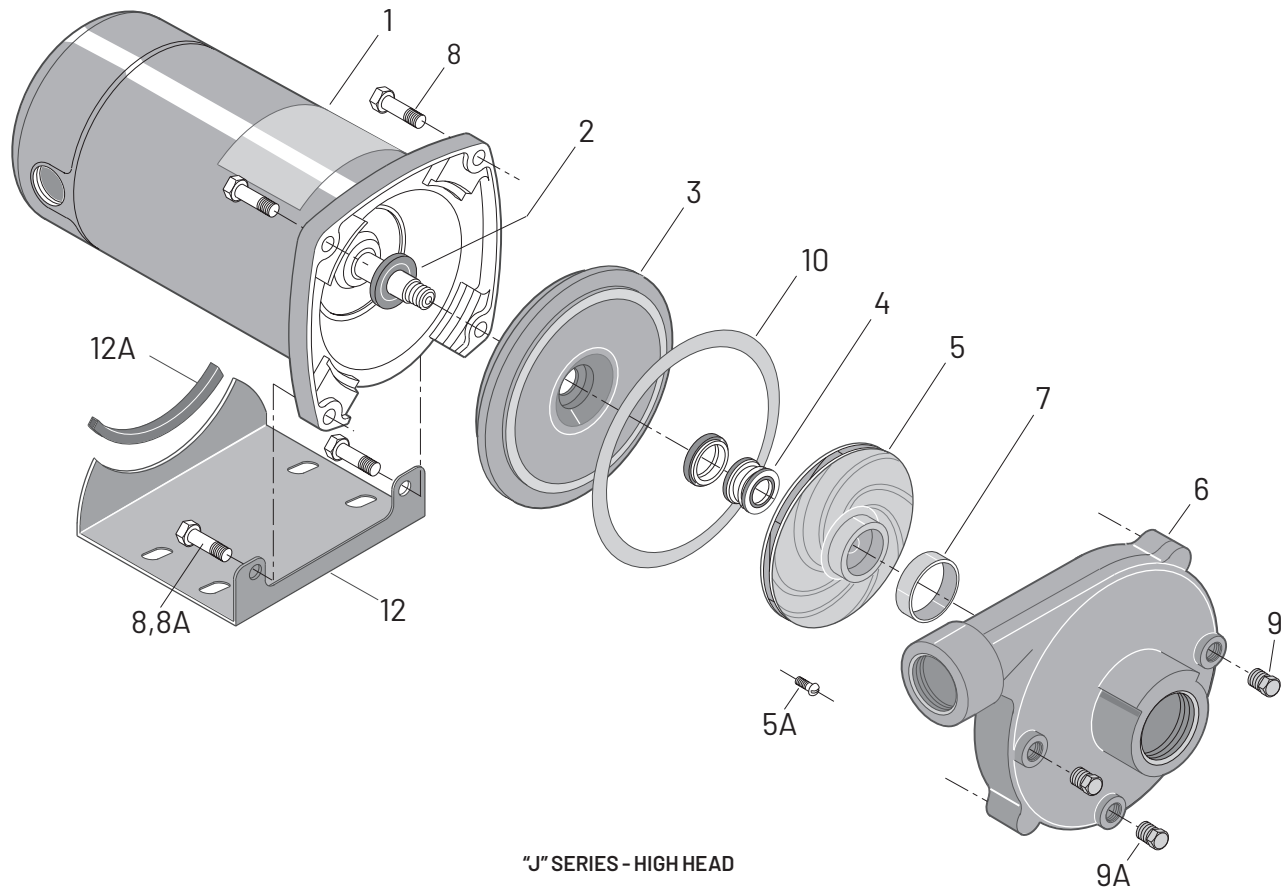


Figure 5: Seal Service

REPAIR PARTS LIST



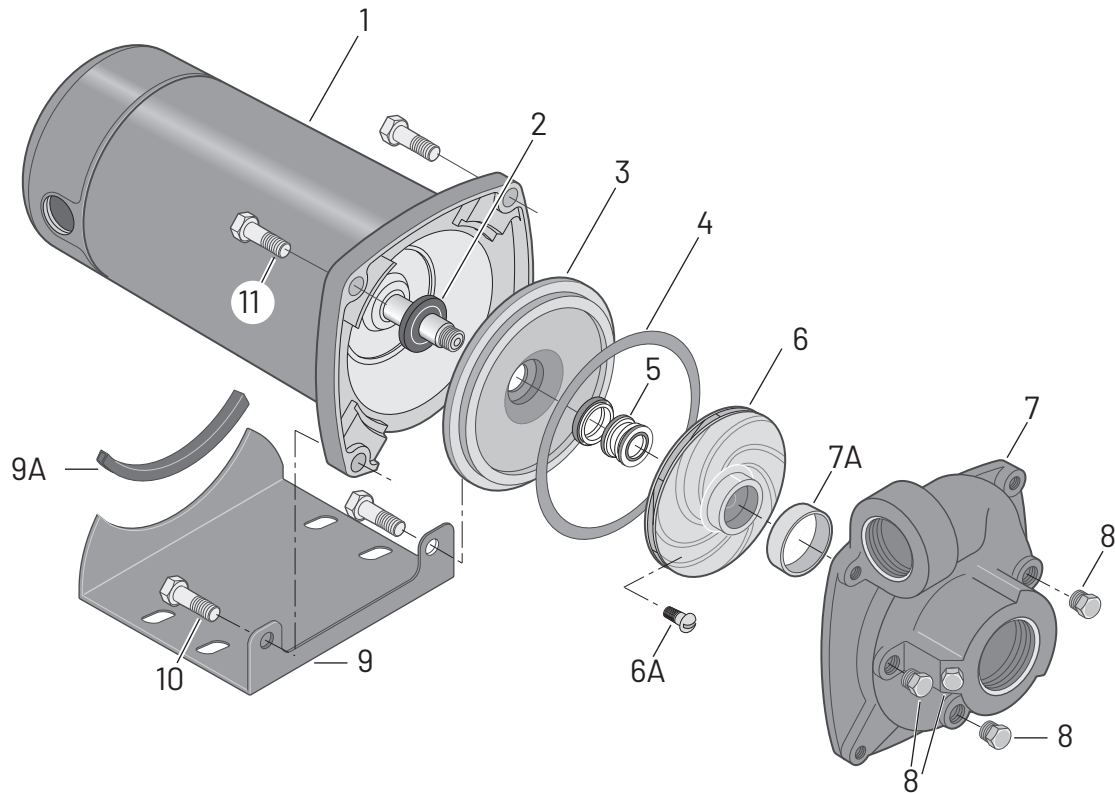
"J" SERIES - HIGH HEAD

KEY NO.	PART DESCRIPTION	NO. USED	MOTOR AND HORSEPOWER					
			JHC-61HL JHC3-61H 1/2 HP	JHD-62HL JHD3-62H 3/4 HP	JHE-63HL JHE3-63H 1 HP	JHF-51HL JHF3-51H 1-1/2 HP	JHG-52HL JHG3-52H 2 HP	JHHG-53HL JHHG3-53H 2-1/2 HP
1*	Motor, 115/230V, Single Phase	1	J218-582APKG	J218-590PKG	J218-596PKG	J218-601PKG	J218-883APKG	J218-628APKG
1	Motor, 230/460V Three Phase	1	AP100CL	AP100DL	AP100EL	AP100FL	AP100GL	AP100G5L
2†	Water Slinger	1	17351-0009	17351-0009	17351-0009	17351-0009	17351-0009	17351-0009
3	Seal Plate	1	C3-178	C3-178	C3-178	C3-178	C3-181	C3-181
4†	Shaft Seal	1	U9-469	U9-469	U9-469	U9-469	U9-469	U9-469
5	Impeller - Single Phase	1	C105-92PNX	C105-92PMX	C105-92PLX	C105-92PBX	C105-214PCA	C105-214PA
5	Impeller - Three Phase	1	C105-92PNXA	C105-92PMXA	C105-92PLXA	C105-92PBXA	C105-214PCA	C105-214PA
5A	Impeller Screw - Three Phase	1	C30-14SS	C30-14SS	C30-14SS	C30-14SS	C30-14SS	C30-47SS
6	Volute Assembly - Includes Wear Ring	1	C101-284A	C101-284A	C101-284A	C101-284A	C101-264	C101-264B
7	Wear Ring	(1)	C23-27	C23-27	C23-27	C23-27	C23-19	C23-19
8A	Capscrew - 3/8 - 16 x 1" Lg.	(2)	-	-	-	-	U30-74ZP	U30-99SS
8A	Capscrew - 3/8 - 16 x 1-1/4" Lg.	(2)	U30-75ZP	U30-75ZP	U30-75ZP	U30-75ZP	-	-
8B	Capscrew - 3/8 - 16 x 1-1/4" Lg.	(2)	U30-75ZP	U30-75ZP	U30-74ZP	U30-74ZP	U30-75ZP	U30-104ZP
9	Pipe Plug - 1/4" NPT	(3)	U78-941ZPV	U78-941ZPV	U78-941ZPV	U78-941ZPV	U78-941ZPV	U78-941ZPV
10†	Gasket - Volute	1	C20-121N	C20-121N	C20-121N	C20-121N	C20-122N	C20-122N
11	Base	1	J104-9F	J104-9F	J104-9F	J104-9F	J104-9F	J104-9F
11A	Motor Pad	1	C35-5S	C35-5S	C35-5S	C35-5S	C35-5S	C35-5S
SERVICE KIT								
	Seal and Gasket Kit	1	PP1700	PP1700	PP1700	PP1700	PP1700	PP1700

* For repair or service to motors, always give the motor Model Number and any other data found on the Motor Model Plate.

† Included in Seal and Gasket Kit.

REPAIR PARTS LIST



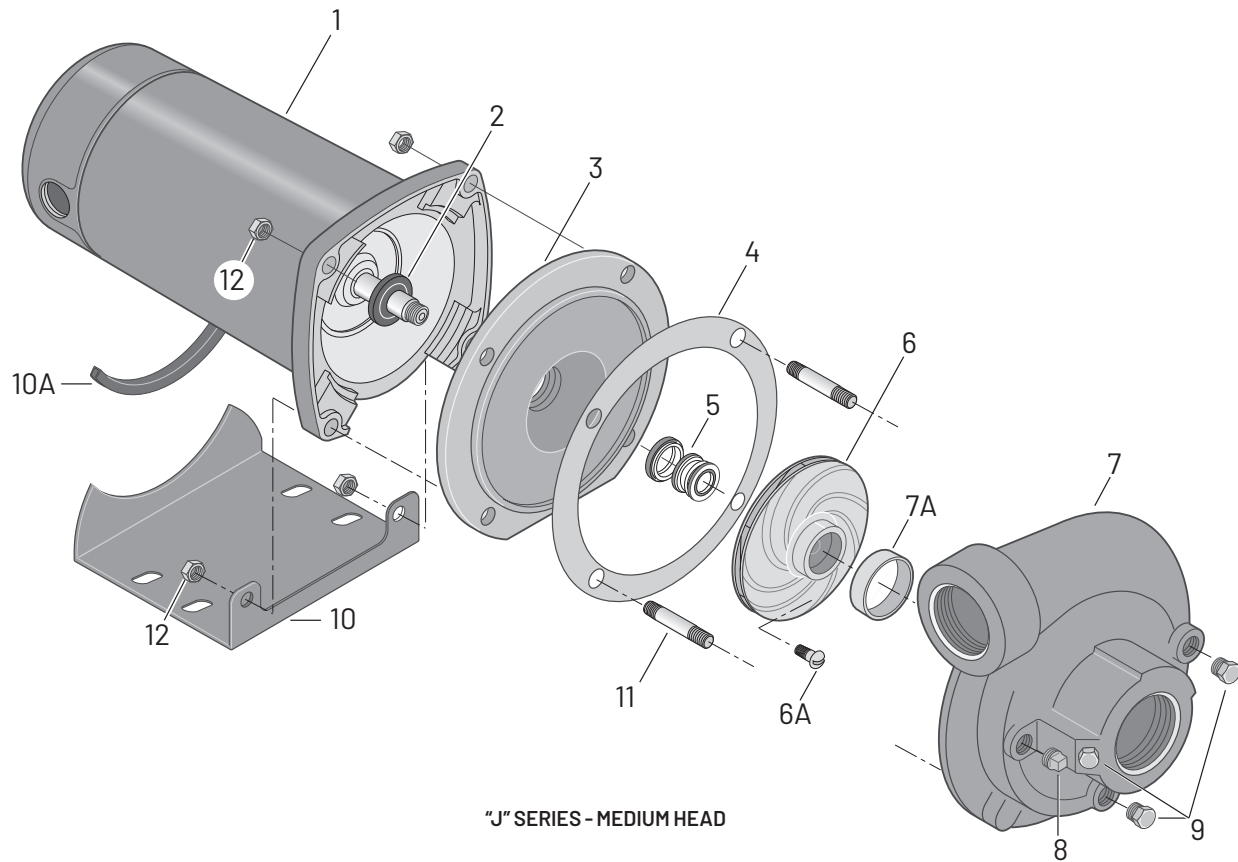
"J" SERIES - MEDIUM HEAD

KEY NO.	PART DESCRIPTION	NO. USED	MOTOR AND HORSEPOWER		
			JMC-56L JMC3-56 1/2 HP	JMD-57L JMD3-57 3/4 HP	JME-58L JME3-58 1 HP
1*	Motor, 115/230V, Single Phase	1	J218-582APKG	J218-590PKG	J218-596PKG
1*	Motor, 230/460V, Three Phase	1	AP100CL	AP100DL	AP100EL
2†	Water Slinger	1	17351-0009	17351-0009	17351-0009
3	Seal Plate	1	N3-8	N3-8	N3-8
4	Gasket, Seal Plate	1	N20-26N	N20-26N	N20-26N
5†	Shaft Seal	1	U9-469	U9-469	U9-469
6	Impeller - Single Phase	1	J105-42PHA	J105-42PJA	J105-42P
6	Impeller - Three Phase	1	J105-42PHA	J105-42PJA	J105-42PPA
6A	Impeller Screw - Three Phase	1	C30-6SS	C30-6SS	C30-6SS
7	Volute Assembly w/Wear Ring	1	C101-122E	C101-122E	C101-122
7A	Wear Ring (Only)	(1)	N23-7	N23-7	N23-7
8	Pipe Plug - 1/4" NPT	(4)	U78-941ZPV	U78-941ZPV	U78-941ZPV
9	Base	1	J104-9F	J104-9F	J104-9F
9A	Motor Pad	1	C35-5S	C35-5S	C35-5S
10	Capscrews - 3/8 - 16 x 1-1/4"	(2)	U30-75ZP	U30-75ZP	U30-75ZP
11	Capscrews - 3/8 - 16 x 1-1/2"	(2)	U30-76ZP	U30-76ZP	U30-76ZP
SERVICE KIT					
	Seal and Gasket Kit	1	PP1700	PP1700	PP1700

* For repair or service to motors, always give the motor Model Number and any other data found on the Motor Model Plate.

† Included in Seal and Gasket Kit.

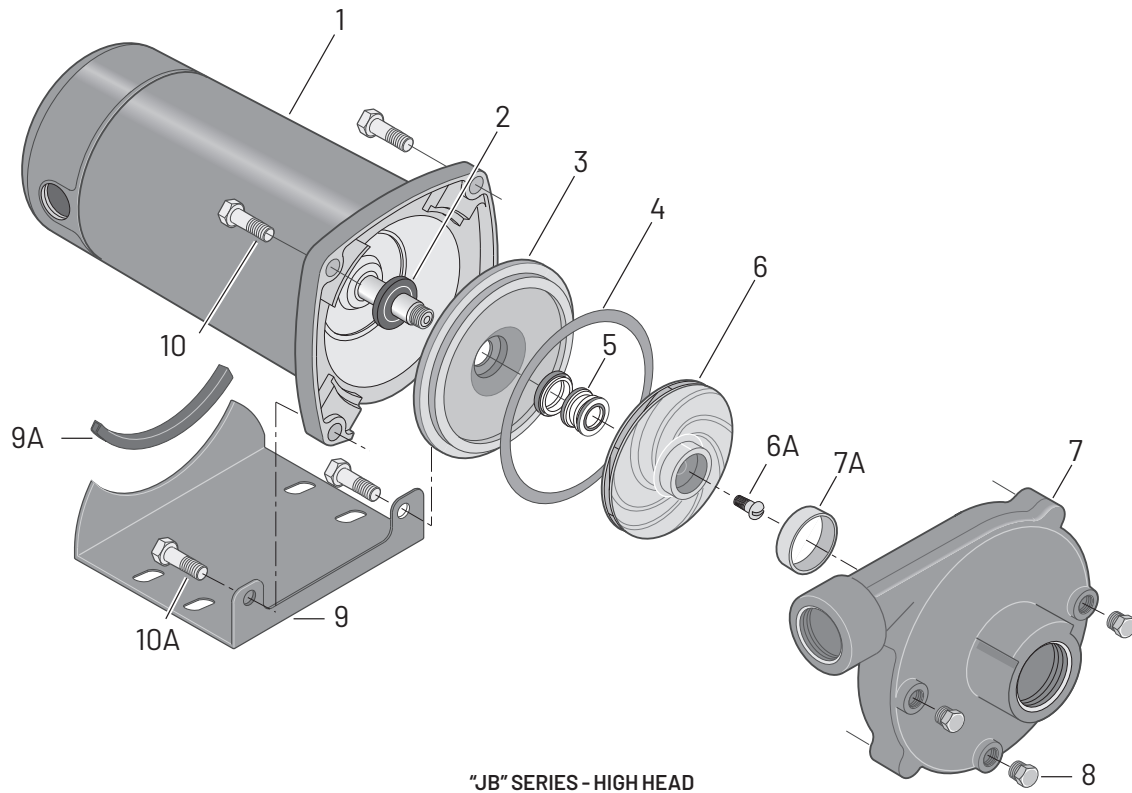
REPAIR PARTS LIST



KEY NO.	PART DESCRIPTION	NO. USED	MOTOR AND HORSEPOWER	
			JMF-40L JMF3-40 1-1/2 HP	JMG-41L JMG3-41 2 HP
1	Motor, 115/230V, 1 Phase	1	J218-601PKG	J218-883APKG
1	Motor, 230/460V, 3 Phase	1	AP100FL	AP100GL
2	Water Slinger	1	17351-0009	17351-0009
3	Seal Plate	1	C3-52	C3-52
4	Gasket, Seal Plate	1	C20-21N	C20-21N
5	Shaft Seal	1	U9-469	U9-469
6	Impeller, Single Phase	1	C105-114ND	C105-114PNA
6	Impeller, Three Phase	1	C105-114PNDA	C105-114PNA
6A	Impeller Screw	1	C30-14SS	C30-14SS
7	Volute Assembly with Wear Ring	1	C101-123	C101-123
7A	Wear Ring	1	C23-19	C23-19
8	Pipe Plug, 1/4" NPT Sq. Hd.	1	U78-57DT	U78-57DT
9	Pipe Plug, 1/4" NPT Hex Hd.	3	U78-941ZPV	U78-941ZPV
10	Base with Motor Pad	1	J104-9F	J104-9
10A	Motor Pad	1	C35-5S	C35-5S
11	Stud, 3/8 - 16 x 1-13/16"	4	U30-35SS	U30-29
12	Hex Nut, 3/8 - 16	4	U36-38ZP	U36-38ZP
SERVICE KIT				
	Seal and Gasket Kit	1	PP1700	PP1700

For repair or service to motors, always give the motor Model Number and any other data found on the Motor Model Plate.

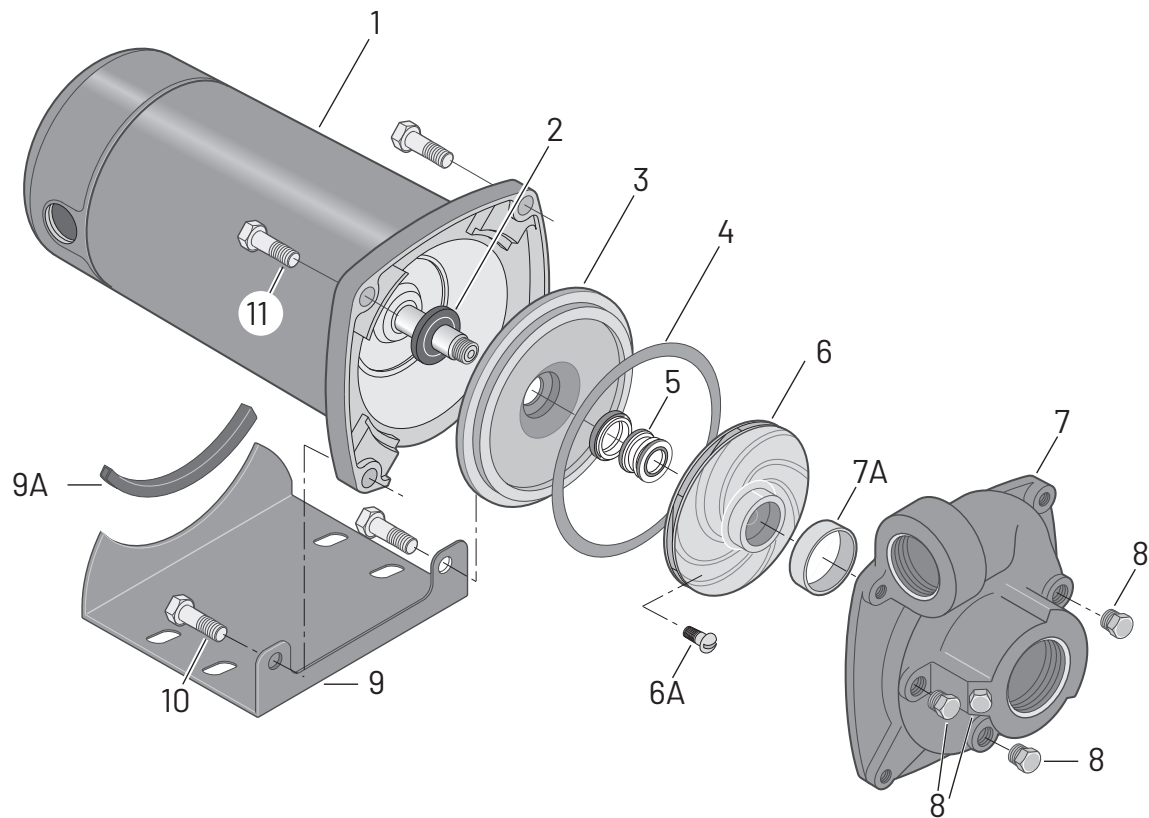
REPAIR PARTS LIST



KEY NO.	PART DESCRIPTION	NO. USED	MOTOR AND HORSEPOWER						
			JBHB-61S - 1/3 HP	JBHC-61S JBHC3-61S 1/2 HP	JBHD-62S JBHD3-62S 3/4 HP	JBHE-63S JBHE3-63S 1HP	JBHF-51S JBHF3-51S 1-1/2 HP	JBHG-52S JBHG3-52S 2HP	JBHHG-53S JBHHG3-53S 2-1/2 HP
1	Motor, 115/230V, 1Phase	1	J218-582APKG	J218-582APKG	J218-590PKG	J218-596PKG	J218-601PKG	J218-883APKG	J218-628APKG
1	Motor, , 230/460V, 3 Phase	1	-	AP100CL	AP100DL	AP100EL	AP100FL	AP100GL	AP100G5L
2†	Water Slinger	1	17351-0009	17351-0009	17351-0009	17351-0009	17351-0009	17351-0009	17351-0009
3	Seal Plate	1	C3-178	C3-178	C3-178	C3-178	C3-178	C3-181	C3-181
4†	Gasket, Seal Plate	1	C20-121N	C20-121N	C20-121N	C20-121N	C20-121N	C20-122N	C20-122N
5†	Shaft Seal	1	U9-469	U9-469	U9-469	U9-469	U9-469	U9-469	U9-469
6	Impeller, Single Phase	1	C5-256BA	C5-256BA	C5-256BAA	C5-254BA	C5-254BC	C5-257BB	C5-257B
6	Impeller, Three Phase	1	-	C5-256BA	C5-256BAA	C5-254BA	C5-254BC	C5-257BB	C5-257B
6A	Impeller Screw, Three Phase	1	C30-14SS	C30-14SS	C30-14SS	C30-14SS	C30-14SS	C30-14SS	C30-14SS
7	Volute Assembly with Wear Ring	1	C101-284A	C101-284A	C101-284A	C101-284A	C101-284A	C101-264	C101-264B
7A	Wear Ring	1	C23-27	C23-27	C23-27	C23-27	C23-27	C23-19	C23-19
8	Pipe Plug, 1/4" NPT Hex Hd.	3	U78-941ZPV	U78-941ZPV	U78-941ZPV	U78-941ZPV	U78-941ZPV	U78-941ZPV	U78-941ZPV
9	Base with Motor Pad	1	J104-9F	J104-9F	J104-9F	J104-9F	J104-9F	J104-9F	J104-9F
9A	Motor Pad	1	C35-5S	C35-5S	C35-5S	C35-5S	C35-5S	C35-5S	C35-5S
10	Hex Capscrew, 3/8" - 16 x 1" Lg.	2	U30-74ZP	U30-74ZP	U30-74ZP	U30-74ZP	U30-74ZP	U30-74ZP	U30-74ZP
11	Hex Capscrew, 3/8" - 16 x 1-1/4" Lg.	2	U30-75ZP	U30-75ZP	U30-75ZP	U30-75ZP	U30-75ZP	U30-75ZP	U30-75ZP

† For repair or service to motors, always give the motor Model Number and any other data found on the Motor Model Plate.

REPAIR PARTS LIST



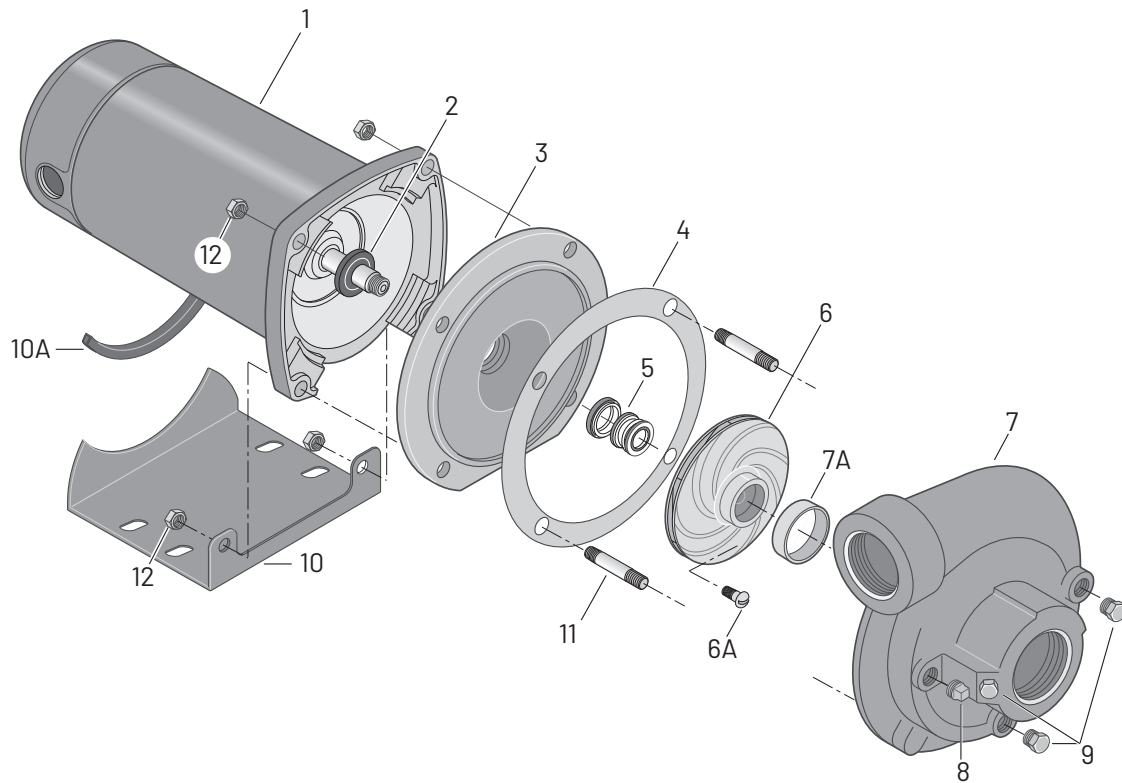
"J" SERIES - MEDIUM HEAD

KEY NO.	PART DESCRIPTION	NO. USED	MOTOR AND HORSEPOWER			
			JBMB-56S - 1/3 HP	JBMC-56S JBMC3-56S 1/2 HP	JBMD-57S JBMD3-57S 3/4 HP	JBME-58S JBME3-58S 1HP
1	Motor, 115/230V, 1 Phase	1	J218-582APKG	J218-582APKG	J218-590PKG	J218-596PKG
1	Motor, 230/460V, 3 Phase	1	-	AP100CL	AP100DL	AP100EL
2	Water Slinger	1	17351-0009	17351-0009	17351-0009	17351-0009
3	Seal Plate	1	N3-8	N3-8	N3-8	N3-8
4	Gasket, Seal Plate	1	N20-26N	N20-26N	N20-26N	N20-26N
5	Shaft Seal	1	U9-469	U9-469	U9-469	U9-469
6	Impeller, Single Phase	1	J105-42MA	J105-42MA	J105-42LA	J105-42NA
6	Impeller, Three Phase	1	-	J105-42MA	J105-42LA	J105-42NA
6A	Impeller Screw	1	-	C30-6SS	C30-6SS	C30-6SS
7	Volute Assembly with Wear Ring	1	C101-122E	C101-122E	C101-122E	C101-122
7A	Wear Ring	1	N23-7	N23-7	N23-7	N23-7
8	Pipe Plug, 1/4" NPT Hex Hd.	4	U78-941ZPV	U78-941ZPV	U78-941ZPV	U78-941ZPV
9	Base with Motor Pad	1	J104-9F	J104-9F	J104-9F	J104-9F
9A	Motor Pad	1	C35-5S	C35-5S	C35-5S	C35-5S
10	Hex Capscrew, 3/8" - 16 x 1-1/2" Lg.	2	U30-76ZP	U30-76ZP	U30-76ZP	U30-76ZP
11	Hex Capscrew, 3/8" - 16 x 1-1/4" Lg.	2	U30-75ZP	U30-75ZP	U30-75ZP	U30-75ZP
			SERVICE KIT			
	Seal and Gasket Kit	1	PP1700	PP1700	PP1700	PP1700

† For repair or service to motors, always give the motor Model Number and any other data found on the Motor Model Plate.

**Included in Seal and Gasket Kit.

REPAIR PARTS LIST



"J" SERIES - MEDIUM HEAD

KEY NO.	PART DESCRIPTION	NO. USED	MOTOR AND HORSEPOWER		
			JBMF-40S JBMF3-40S 1-1/2 HP	JBMG-41S JBMG3-41S 2 HP	JBMMG-59S JBMMG3-59S 2-1/2 HP
1*	Motor, 115/230V, 1 Phase	1	J218-601PKG	J218-883APKG	J218-628APKG
1*	Motor, 230/460V, 3 Phase	1	AP100FL	AP100GL	AP100G5L
2†	Water Slinger	1	17351-0009	17351-0009	17351-0009
3	Seal Plate	1	C3-52	C3-52	C3-52
4	Gasket, Seal Plate	1	C20-21N	C20-21N	C20-21N
5†	Shaft Seal	1	U9-469	U9-469	U9-469
6	Impeller, Single Phase	1	C105-79BA	C105-73BA	C105-80DA
6	Impeller, Three Phase	1	C105-79BA	C105-73BA	C105-80DA
6A	Impeller Screw	1	C30-14SS	C30-14SS	C30-14SS
7	Volute Assembly with Wear Ring	1	C101-123	C101-123	C101-123B
7A	Wear Ring	1	C23-19	C23-19	C23-19
8	Pipe Plug, 1/4" NPT Sq. Hd.	1	U78-57DT	U78-57DT	U78-57DT
9	Pipe Plug, 1/4" NPT Hex Hd.	3	U78-941ZPV	U78-941ZPV	U78-941ZPV
10	Base with Motor Pad	1	J104-9F	J104-9F	J104-9F
10A	Motor Pad	1	C35-5S	C35-5S	C35-5S
11	Stud, 3/8 - 16 x 1-13/16"	4	U30-35SS	U30-35SS	U30-35SS
12	Hex Nut, 3/8 - 16	4	U36-38ZP	U36-38ZP	U36-38ZP
SERVICE KIT					
	Seal and Gasket Kit	1	PP1700	PP1700	PP1700

* For repair or service to motors, always give the motor Model Number and any other data found on the Motor Model Plate.

† Included in Seal and Gasket Kit.

TROUBLESHOOTING

SYMPTOMS	PROBABLE CAUSE																	
	ELECTRICAL									MECHANICAL						SYSTEM		
	A	B	C	D	E	F	G	H	I	A	B	C	D	E	F	A	B	C
Pump runs, but no water delivered										X		X				X	X	
Not enough water delivered			X	X												X	X	
Not enough pressure			X	X												X	X	
Excessive vibration																	X	X
Abnormal Noise																	X	X
Pump stops	X	X	X	X	X	X	X	X										
Overheating		X	X	X					X	X			X	X	X			X

CAUSE	Corrective Action
ELECTRICAL	

A. No voltage in power system.	Check phase-to-phase on line side of starter contactor. Check circuit breaker or fuses
B. No voltage on one phase (Three Phase units).	Check phase voltage on line side of starter contactor. Isolate open circuit (circuit breaker, fuse, broken connections, etc.)
C. Low voltage at motor.	Running voltage across each leg of motor must be $\pm 10\%$ of nominal voltage shown on nameplate.
D. Motor leads improperly grouped for voltage.	Refer to lead grouping diagram on motor nameplate.
E. Control failure.	Check control device, starter contactor, H-0-A selector switch, etc., for malfunction.
F. Thermal overload switch open	Check phase-to-phase on line side of starter contactor.
G. Installation failure.	Check motor or windings to ground with megohmmeter.
H. Open windings.	Check leg-to-leg with ohmmeter.
I. Frequency variation.	Check frequency of power system. Must be less than 5% variation from motor nameplate rating.

MECHANICAL	
-------------------	--

A. Flow through pump completely or partially obstructed.	Locate and remove obstruction. Refer to repair instructions for disassembly.
B. Wrong direction of rotation.	Reverse rotation of three phase motor by interchanging any two leads. See manufacturer's instructions for reversing single phase motor.
C. Pump lost prime.	Reprime. Inspect suction system for air leaks.
D. Internal leakage.	Check impeller for wear of controlled clearances (See Repair Instructions).
E. Loose parts	Inspect. Repair.
F. Stuffing box not properly adjusted	Adjust gland.

SYSTEM	
---------------	--

A. Pressure required by system at design flow rate exceeds pressure rating of pump.	Compare pump pressure and flow rate against pump characteristic curve. Check for closed or partially closed valve in discharge piping system. Reduce system pressure requirement. Increase pressure capability of pump.
B. Obstruction in suction piping	Locate and remove obstruction.
C. Pressure rating of pump exceeds pressure requirement of system at design flow rate.	Compare pump pressure and flow rate against pump characteristic curve. Inspect discharge piping system for breaks, leaks, open by-pass valves, etc. If necessary, reduce flow rate by partially closing discharge valve.

WARRANTY

Limited Warranty

STA-RITE warrants to the original consumer purchaser ("Purchaser" or "You") of the products listed below, that they will be free from defects in material and workmanship for the Warranty Period shown below.

Product	Warranty Period
Water Systems Products – jet pumps, small centrifugal pumps, submersible pumps and related accessories	<i>whichever occurs first:</i> 12 months from date of original installation, or 18 months from date of manufacture
Pro-Source™ Composite Tanks	5 years from date of original installation
Pro-Source™ Steel Pressure Tanks	5 years from date of original installation
Pro-Source™ Epoxy-Lined Tanks	3 years from date of original installation
Sump/Sewage/Effluent Products	12 months from date of original installation, or 18 months from date of manufacture

Our warranty will not apply to any product that, in our sole judgement, has been subject to negligence, misapplication, improper installation, or improper maintenance. Without limiting the foregoing, operating a three phase motor with single phase power through a phase converter will void the warranty. Note also that three phase motors must be protected by three-leg, ambient compensated, extra-quick trip overload relays of the recommended size or the warranty is void.

Your only remedy, and STA-RITE's only duty, is that STA-RITE repair or replace defective products (at STA-RITE's choice). You must pay all labor and shipping charges associated with this warranty and must request warranty service through the installing dealer as soon as a problem is discovered. No request for service will be accepted if received after the Warranty Period has expired. This warranty is not transferable.

STA-RITE SHALL NOT BE LIABLE FOR ANY CONSEQUENTIAL, INCIDENTAL, OR CONTINGENT DAMAGES WHATSOEVER.

THE FOREGOING WARRANTIES ARE EXCLUSIVE AND IN LIEU OF ALL OTHER EXPRESS AND IMPLIED WARRANTIES, INCLUDING BUT NOT LIMITED TO THE IMPLIED WARRANTIES OF MERCHANTABILITY AND FITNESS FOR A PARTICULAR PURPOSE. THE FOREGOING WARRANTIES SHALL NOT EXTEND BEYOND THE DURATION EXPRESSLY PROVIDED HEREIN.

Some states do not allow the exclusion or limitation of incidental or consequential damages or limitations on the duration of an implied warranty, so the above limitations or exclusions may not apply to You. This warranty gives You specific legal rights and You may also have other rights which vary from state to state.

This Limited Warranty is effective June 1, 2011 and replaces all undated warranties and warranties dated before June 1, 2011.

STA-RITE INDUSTRIES
293 Wright Street • Delavan, WI U.S.A. 53115
Phone: 1-888-782-7483 • Fax: 1-800-426-9446 • Web Site: sta-rite.com



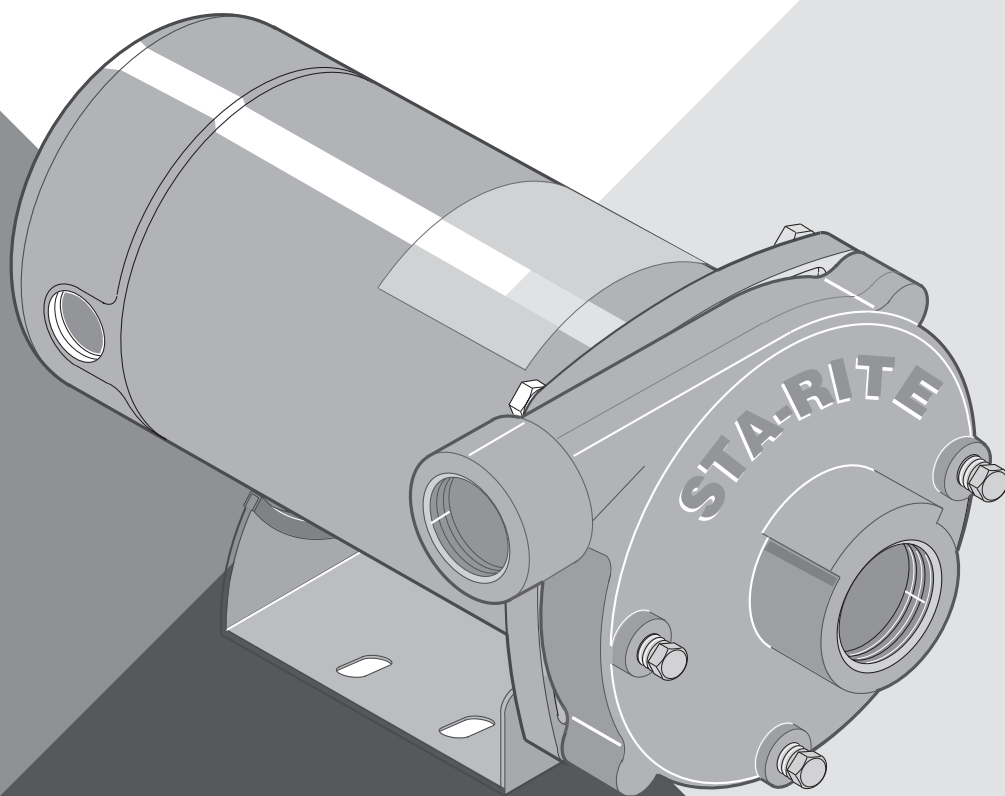
293 Wright Street | Delavan, WI 53115 | Ph: 866-973-6835 | Orders Fax: 800.321.8793 | pentair.com

Pentair trademarks and logos are owned by Pentair or its affiliates. Third party registered and unregistered trademarks and logos are the property of their respective owners. Because we are continuously improving our products and services, Pentair reserves the right to change specifications without prior notice. Pentair is an equal opportunity employer.

S873 (08-01-20) ©2020 Pentair. All Rights Reserved.



BOMBA CENTRÍFUGA DE 60 CICLOS
J SERIES ♦ JB SERIES



MANUAL DE INSTALACIÓN Y OPERACIÓN

pentair.com


ÍNDICE:


SECCIÓN.....	PÁGINA
Seguridad	19
Instalación	20-22
Mantenimiento	23-24
Especificaciones.....	25-30
Solución de problemas	31
Garantía.....	32


SEGURIDAD

INSTRUCCIONES IMPORTANTES DE SEGURIDAD

GUARDE ESTAS INSTRUCCIONES: Para alcanzar un rendimiento y funcionamiento óptimos, lea estas instrucciones detenidamente antes de instalar su bomba nueva. En este manual, se proporcionan instrucciones y orientación de valor que deben seguirse para realizar los procedimientos de instalación, operación y mantenimiento de este producto. Mantenga este manual cerca del lugar de instalación para referencia inmediata. Para referencia futura, anote los datos de la placa de identificación de su bomba nueva en la plantilla en blanco ubicada en la sección "Mantenimiento" en la página 7.

 Este es el símbolo de alerta de seguridad. Cuando vea este símbolo en su bomba o en este manual, busque una de las siguientes palabras de advertencia y esté atento a la posibilidad de sufrir lesiones personales.

 **PELIGRO** advierte sobre peligros que pueden causar lesiones personales graves, la muerte o daños materiales importantes si se pasa por alto.


 **ADVERTENCIA** advierte sobre peligros que pueden causar lesiones personales graves, la muerte o daños materiales importantes si se pasa por alto.

 **PRECAUCIÓN** advierte sobre peligros que pueden causar lesiones personales leves o daños materiales si se pasa por alto.


La llamada **AVISO** indica instrucciones especiales que son importantes, pero que no están relacionadas con los peligros.

Los peligros que se mencionan en este manual no son exhaustivos. Para reducir el riesgo de peligro, se recomienda encarecidamente que un profesional calificado realice la instalación, operación y mantenimiento de la bomba, de acuerdo con los códigos y normas locales para una operación segura.

Advertencia de propuesta 65 de California

 **ADVERTENCIA** Este producto, su embalaje y sus componentes contienen sustancias químicas que según el Estado de California provocan cáncer, defectos de nacimiento o afectan a la fecundidad.


SEGURIDAD ELÉCTRICA


 **ADVERTENCIA** **Riesgo de descarga eléctrica.** La electricidad del producto puede producir descargas eléctricas, quemaduras o la muerte. Todo el cableado debe estar a cargo de un electricista calificado.


- ◆ Realice el cableado del motor para el voltaje adecuado. Consulte la sección "Instalación" (consulte la página 5) de este manual y la placa de identificación del motor.
- ◆ Conecte a tierra el motor antes de conectarlo a la fuente de alimentación.
- ◆ Siga las instrucciones de cableado que figuran en este manual antes de conectar el motor a las líneas de alimentación.


- ◆ Se debe incorporar un interruptor de desconexión total de alimentación al cableado fijo.
- ◆ Instale, conecte a tierra, cablee y mantenga su bomba de acuerdo con todos los códigos y ordenanzas nacionales y locales aplicables. Para obtener información relacionada con estos códigos, consulte a su inspector local de construcción.

SEGURIDAD GENERAL

 **ADVERTENCIA** **Riesgo de explosión.** El cuerpo de la bomba puede explotar si se utiliza para aumentar la presión por encima de las presiones que se indican en la página 3. No use esta bomba con una presión de entrada superior a 70 psi (483 kPa) o inferior que 3 psi (20,7 kPa). En el caso que no haya una ya colocada, instale una válvula de alivio de presión en la línea de descarga de la bomba que tenga la capacidad suficiente para transformar el flujo total de la bomba a la presión nominal máxima. Si el código local requiere la instalación de una válvula de alivio de presión con capacidad suficiente para controlar el flujo total de la bomba a una presión inferior a 100 psi (689 kPa), siga los requisitos del código.

 **ADVERTENCIA** **Riesgo de incendio y explosión.** Para evitar el riesgo de incendio y explosión, bombee agua solo con esta bomba. No bombee agua salada, líquidos inflamables ni productos químicos. No use la bomba cerca de los pilotos de artefactos a gas ni donde haya vapores químicos o de gas. Use una bomba eléctrica siempre que tenga que bombear líquidos que no sean agua o que la operación se deba realizar en una atmósfera con presencia de vapores químicos o de gas, ya que esos líquidos o vapores pueden encenderse y causar lesiones o la muerte debido a una explosión o al fuego. Con esta bomba, bombee únicamente líquidos aprobados.

 **PRECAUCIÓN** **Riesgo de quemaduras.** Si queda agua atrapada en la bomba durante su operación, es posible que se convierta en vapor. El vapor atrapado puede explotar y causar lesiones o daños a la propiedad. Nunca encienda la bomba si la salida está obstruida o cerrada.

 **PRECAUCIÓN** **Riesgo de congelación.** No permita que la bomba, la tubería o cualquier otro componente del sistema que contenga agua se congele. La congelación puede dañar el sistema y provocar lesiones o inundaciones. Permitir que la bomba o los componentes del sistema se congelen anulará la garantía.

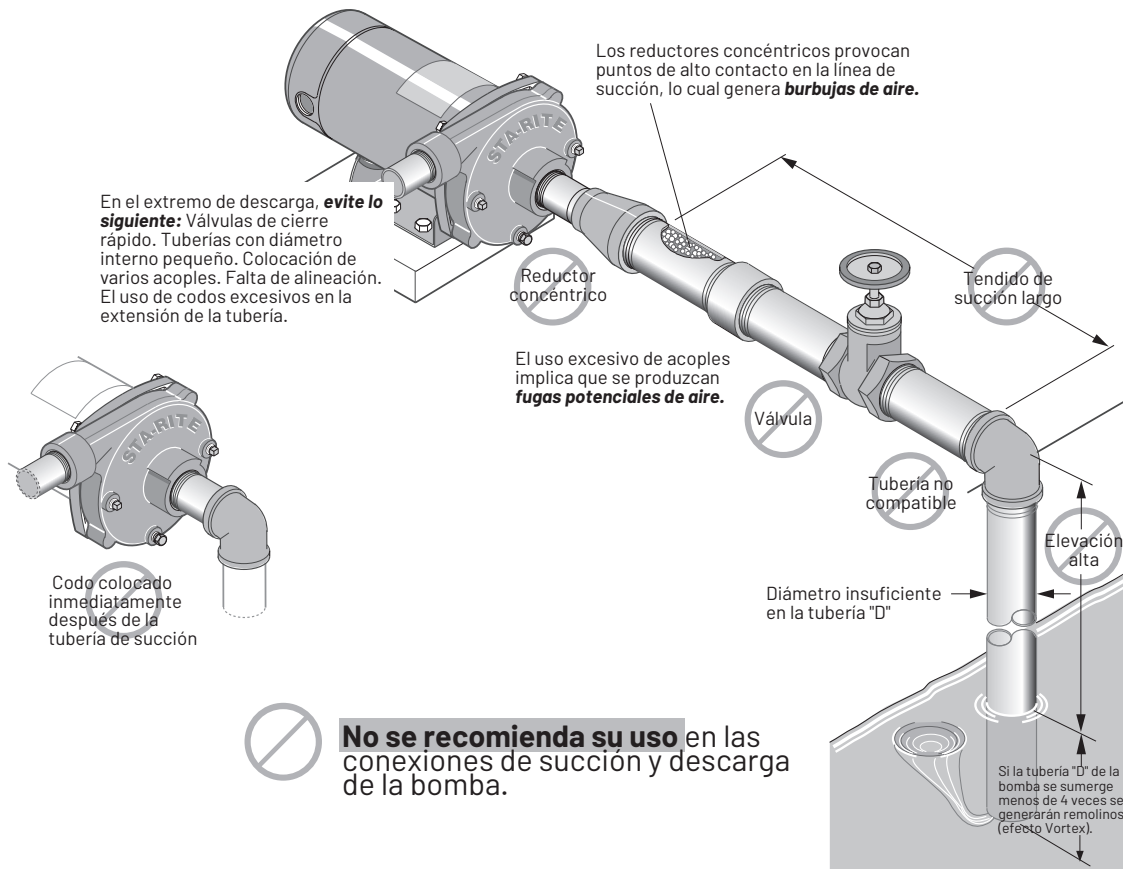
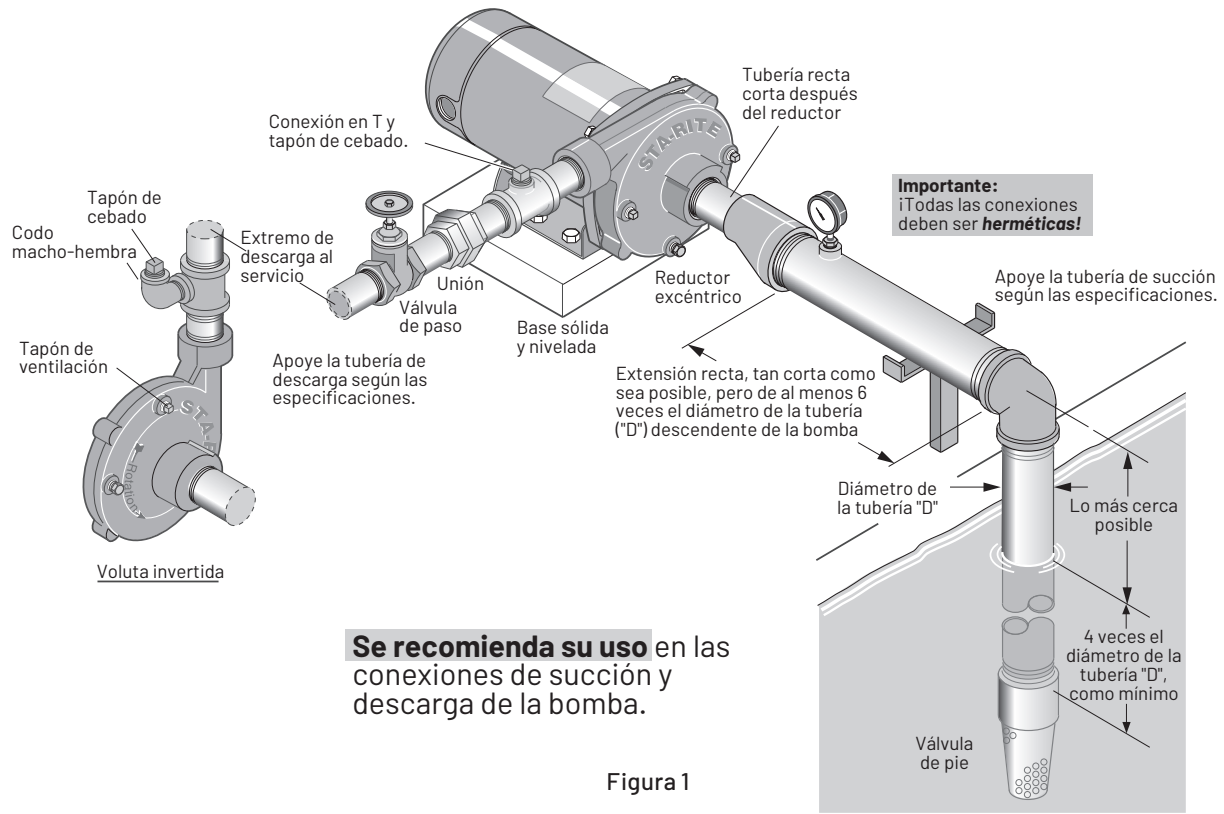
AVISO: Solo el agente de servicio o una persona calificada deben reemplazar el cable de alimentación para evitar el riesgo de sufrir lesiones.

Inspeccione periódicamente la bomba y los componentes del sistema.

Siempre que trabaje con cualquier bomba, use gafas de seguridad en todo momento.

Mantenga el área de trabajo limpia, despejada y debidamente iluminada; guarde adecuadamente todas las herramientas y equipos que no vaya a usar.

INSTALACIÓN



INSTALACIÓN

TUBERÍA: CONSIDERACIONES GENERALES

Para evitar presionar la carcasa de la bomba, apoye las tuberías de succión y descarga de forma independiente en un punto cerca de la bomba. Inicie la colocación de la tubería **DESDE LA MISMA BOMBA**.

Aumente el diámetro de la tubería tanto en la tubería de succión como en la de descarga en incrementos de un (1) tamaño de tubería estándar (mínimo) para obtener el rendimiento y el caudal deseados. Consulte la Tabla I para calcular el diámetro de la tubería para su sistema de bombeo.

AVISO: No use tuberías con un diámetro **menor** en el extremo de succión de la bomba.

TABLA I: DATOS SOBRE LA TOMA DE LA BOMBA Y EL DIÁMETRO DE TUBERÍA RECOMENDADO

Diámetro de la toma de la bomba en la bomba		Diámetro recomendado de tubería	
Succión	Descarga	Succión	Descarga
1-1/4	1	1-1/2	1-1/4
1-1/2	1-1/4	2	1-1/2
2	1-1/2	3	2

TUBERÍA DE SUCCIÓN

Aumente el diámetro de la tubería desde la toma de la bomba, como se indica en la Tabla I de arriba. En la Figura 1 (página 4), se muestra un recorrido de tubería y los acoples recomendados del extremo de succión de una bomba centrífuga. Consulte esta ilustración antes de elegir la tubería y los acoples para su conexión de succión.

IMPORTANTE: ¡Todas las conexiones deben ser herméticas!

En la Figura 2 (página 4), se muestran condiciones **NO DESEADAS** en los extremos de succión de una bomba centrífuga y que pueden causar problemas en el caudal y cebado. Revise esta ilustración detenidamente antes de elegir la tubería y los acoples para su conexión de succión.

TUBERÍA DE DESCARGA

Aumente el diámetro de la tubería desde la toma de la bomba, como se muestra en la Tabla I. En la Figura 1 (página 4), se muestra un recorrido de tubería y los acoples recomendados para la descarga. Instale la conexión en T con el tapón de cebado lo más cerca posible de la bomba. En la Figura 2 (página 4), se señalan las condiciones que se deben evitar. Lea esta información detenidamente antes de realizar la conexión de descarga.

CEBADO DE LA BOMBA

Una bomba se ceba cuando se expulsa todo el aire en la línea de succión y la voluta de la bomba y se reemplaza con agua.

Pasos para cebar la bomba:

1. Cierre la válvula en la línea de descarga.
2. Retire el tapón de cebado de la conexión en T y, luego, llene la bomba y la línea de succión con agua hasta que el agua vuelva a salir de la conexión en T.
3. Vuelva a colocar el tapón de cebado.
4. Encienda la bomba y abra lentamente la válvula hasta lograr el flujo de agua deseado.

AVISO: Si no se bombea agua, apague la bomba, cierre la válvula y repita los pasos del 1 al 4.

Si la voluta de la bomba gira como se muestra en la Figura 1 (página 4), afloje el tapón de ventilación durante el cebado para expulsar el aire atrapado dentro de la voluta y, luego, vuélvalo a ajustar cuando la voluta esté completamente llena de agua.

⚠️ ADVERTENCIA **Riesgo de explosión y quemaduras.** Nunca haga funcionar la bomba si la línea de descarga está cerrada, ya que el agua puede hervirse dentro de la bomba y causar una acumulación peligrosa de presión y una posible explosión.

⚠️ PRECAUCIÓN **Riesgo de inundación.** No haga funcionar la bomba en seco, ya que se dañará el sello mecánico y anulará la garantía. Además, puede causar quemaduras a la persona que opera la bomba.

⚠️ PRECAUCIÓN **Por lo general, el motor funciona a alta temperatura y estará demasiado caliente para tocarlo.** Cuenta con una protección contra daños por temperatura durante la operación que se activa mediante un interruptor interno de corte automático. Antes de manipular la bomba o el motor, pare el motor y deje que se enfríe durante 20 minutos.

TABLA II: DATOS SOBRE FUSIBLES Y CABLEADO RECOMENDADOS (MOTORES DE 60 CICLOS)

Hp del MOTOR	AMPERIOS MÁX. DE CARGA	AMPERAJE NOMINAL † DE LOS FUSIBLES DE DERIVACIÓN	Disyuntor	DIÁMETRO EN PIES DESDE EL MOTOR AL MEDIDOR					
				DE 0 A 50'	DE 51 A 100'	DE 101 A 200'	DE 201 A 300'	DE 301 A 400'	DE 401 A 500'
				DIÁMETRO DEL CABLE					
MONOFÁSICO - 115/230 VOLTIOS									
1/3	9,4/4,7	15/15	30/30	14/14	14/14	10/14	10/14	6/14	6/12
1/2	9,4/4,7	15/15	30/30	14/14	14/14	10/14	10/14	6/14	6/12
3/4	12,2/6,1	20/15	40/30	12/14	12/14	10/14	8/14	6/12	6/12
1	14,8/7,4	20/15	40/30	12/14	12/14	8/14	6/14	6/12	4/10
1-1/2	19,2/9,6	25/15	50/30	10/14	10/14	8/14	6/12	4/10	4/10
2	24,0/12,0	30/15	60/30	12/14	10/14	6/14	6/12	4/10	4/10
2-1/2	11,7	15/15	30/30	14/14	14/14	14/14	12/12	12/12	10/10
TRIFÁSICO - 230/460 VOLTIOS									
1/2	2,3/1,15	15/15	30/30	14/14	14/14	14/14	14/14	14/14	14/14
3/4	3,1/1,55	15/15	30/30	14/14	14/14	14/14	14/14	14/14	14/14
1	3,6/1,8	15/15	30/30	14/14	14/14	14/14	14/14	14/14	14/14
1-1/2	4,7/2,35	15/15	30/30	14/14	14/14	14/14	14/14	14/14	14/14
2	6,8/3,4	15/15	30/30	14/14	14/14	14/14	14/14	12/14	12/14
2-1/2	8,5/4,25	15/15	30/30	14/14	14/14	14/14	14/14	12/14	10/14

† Se recomienda el uso de fusibles de retardo y disyuntores en los circuitos de cualquier motor.

INSTALACIÓN

DIAGRAMA DE CONEXIÓN PARA MOTORES MONOFÁSICOS DE DOBLE TENSIÓN

El panel de terminales del motor de doble tensión (debajo de la tapa del extremo del motor) debe coincidir con uno de los diagramas a continuación. Siga ese diagrama si es necesario convertir el motor a una potencia de 115 voltios. Conecte los cables del suministro de alimentación eléctrica a los terminales L1 y L2. En el caso de motores trifásicos, o si el motor no coincide con estas imágenes, siga el diagrama de conexión que se indica en la placa de identificación del motor.

AL MOMENTO DEL ENVÍO, EL MOTOR ESTÁ CONFIGURADO PARA FUNCIONAR A 230 VOLTIOS.

Para cambiar la configuración del motor y que funcione a 115 voltios, siga estos pasos:

1. Desconecte la alimentación.
2. Retire la tapa posterior del motor.
3. Con la ayuda de un destornillador o una llave de 1/2", gire el selector de tensión hacia la izquierda hasta que se muestre 115 en la apertura del dial.
4. Vuelva a colocar la tapa del motor.

⚠ ADVERTENCIA Tensión peligrosa. La electricidad puede producir descargas, quemaduras o la muerte. Desconecte la alimentación al motor antes de trabajar en una bomba o motor. Conecte a tierra el motor antes de conectarlo a la fuente de alimentación.



Figura 3: Cómo cambiar la configuración de tensión

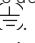


Figura 4: Motor configurado para funcionar a 115 V

CABLEADO

- ⚠ Conecte a tierra el motor antes de conectarlo a la fuente de alimentación. Si no se conecta a tierra el motor, se puede producir un riesgo de descarga eléctrica grave o mortal.
- ⚠ No realice la conexión a tierra cerca de una línea de suministro de gas.
- ⚠ Para evitar descargas eléctricas peligrosas o fatales, APAGUE el motor antes de trabajar en las conexiones eléctricas.
- ⚠ La tensión de alimentación debe estar dentro de $\pm 10\%$ del valor que se indica en la placa de identificación. Tenga en cuenta que una tensión incorrecta puede provocar un incendio o dañar el motor y anula la garantía. En caso de duda, consulte a un electricista autorizado.
- ⚠ Use un calibre de cable que se encuentre dentro de las especificaciones de la Tabla de cableado (página 5). Si es posible, conecte la bomba a un circuito derivado independiente sin otros artefactos conectados a él.

Cablee el motor siguiendo el diagrama que figura en la placa de identificación del motor. Si el diagrama que figura en la placa de identificación difiere de los diagramas anteriores, siga el diagrama que figura en la placa de identificación.

1. Si reside en EE. UU., instale, conecte a tierra, cablee y mantenga su bomba de conformidad con el Código Eléctrico Nacional (NEC), o bien según el Código Eléctrico Canadiense (CEC), según corresponda, así como con todos los códigos y ordenanzas locales aplicables. Para obtener información relacionada con estos códigos, consulte a su inspector local de construcción.
 2. Asegúrese de incorporar un interruptor de desconexión mediante fusible de la capacidad suficiente para brindar protección mientras trabaja en el motor. Para conocer los requisitos del interruptor, consulte a su inspector local de construcción y obtenga información sobre los códigos.
 3. Antes de realizar tareas de mantenimiento en el motor o la bomba, desconecte la alimentación eléctrica. Si el interruptor de desconexión está fuera de la vista de la bomba, bloquéelo y etiquételo para evitar cualquier aplicación inesperada de energía.
 4. Conecte a tierra la bomba permanentemente con un cable del mismo calibre que el especificado en la Tabla de cableado (página 5). Realice la conexión a tierra al terminal de tierra color verde debajo de la cubierta del motor identificada con la leyenda GRD o el símbolo .
 5. Conecte el cable a tierra a un conductor con conexión a tierra en el panel de servicio, a una tubería de agua subterránea de metal, o bien a la tubería del pozo. Este conductor debe tener al menos 3 m (10 ft) de largo. No lo conecte a tuberías de plástico ni a acoples con aislación.
 6. Proteja los conductores de corriente energizados y de conexión a tierra de cortes, grasa, calor, aceite y productos químicos.
 7. Conecte los conductores de corriente energizados a los terminales L1 y L2 que se encuentran debajo de la cubierta del motor. Al reemplazar el motor, controle el diagrama de cableado en la placa de identificación del motor comparándolo con la Figura ##. Si el diagrama de cableado del motor no coincide con ninguno de los diagramas de la Figura 3, siga el diagrama del motor.
- IMPORTANTE:** Los modelos monofásicos de 115/230 voltios se envían de fábrica con un motor cableado para 230 voltios. Si la fuente de alimentación es de 115 voltios, retire la cubierta del motor y vuelva a conectar el motor como se muestra en la Figura 3. No haga funcionar el motor como lo recibió, es decir, con una tensión de 115 voltios.
8. El motor cuenta con una protección automática interna contra sobrecarga térmica. Si el motor se detiene por razones desconocidas, la sobrecarga térmica puede volver a arrancarlo inesperadamente, lo cual podría causar lesiones o daños a la propiedad. Antes de realizar tareas de mantenimiento en el motor, desconecte la alimentación eléctrica.
 9. Siempre consulte a un electricista con licencia para aclarar cualquier duda relacionada con este procedimiento o los diagramas de cableado.

MANTENIMIENTO

TAREAS DE MANTENIMIENTO EN LA BOMBA

Esta bomba centrífuga requiere poco o ningún mantenimiento, aparte de un cuidado razonable y limpieza periódica. Para reemplazar el sello del eje, siga el procedimiento descrito a continuación.

AVISO: Las bombas cuentan con sellos mecánicos con un anillo de asiento de caucho o un sello de O'Ring. **ESTOS SELLOS SON COMPLETAMENTE INTERCAMBIABLES.**

AVISO: Las caras pulidas y traslapadas de estos sellos se dañan con facilidad. Lea las instrucciones y manipule el sello con cuidado.

Algunos modelos están equipados con un tornillo del impulsor, que tiene rosca izquierda. Antes de desenroscar el impulsor, retire el tornillo del impulsor.

REMOCIÓN DEL SELLO ANTIGUO

1. Después de desenroscar el impulsor, retire con cuidado la parte giratoria del sello haciendo palanca en la arandela de estanqueidad. Para ello, use dos destornilladores (consulte la Figura 5-A que se muestra a continuación). Tenga cuidado de no rayar el eje del motor.
2. Retire la placa de estanqueidad del motor y colóquela sobre una superficie plana, boca abajo. Use un destornillador para sacar el asiento de cerámica de la cavidad de estanqueidad (consulte la Figura 5-B que se muestra a continuación).

INSTALACIÓN DEL ASIENTO FLOTANTE (CONSULTE LA FIGURA 5-C QUE SE MUESTRA A CONTINUACIÓN).

1. Limpie la superficie pulida del asiento flotante con un paño limpio.
2. Voltee la placa de estanqueidad para que la cavidad de estanqueidad quede orientada hacia arriba y, luego, limpie la cavidad a fondo.
3. Lubrique la superficie de caucho exterior del asiento de cerámica con agua jabonosa y presione firmemente en la cavidad de estanqueidad, aplicando presión con los dedos. Si el asiento no se ubica correctamente de esta manera, coloque la arandela de cartón sobre la cara pulida del asiento y, luego, presione dentro de la cavidad de estanqueidad con una llave 3/4" o una pieza de tubería estándar de 3/4".
4. Deseche la arandela de cartón. Asegúrese de que la superficie pulida del asiento esté libre de suciedad y que no se haya dañado por la inserción. Elimine el exceso de agua jabonosa.

INSTALACIÓN DE LA PARTE GIRATORIA DEL SELLO (CONSULTE LA FIGURA 5-C QUE SE MUESTRA A CONTINUACIÓN)

1. Vuelva a colocar la placa de estanqueidad con extremo cuidado para no golpear la parte de cerámica del sello con el eje del motor.
2. Inspeccione el eje para asegurarse de que esté limpio.
3. Limpie la cara de la arandela de estanqueidad con un paño limpio.
4. Lubrique el diámetro interno y la cara externa del anillo impulsor de caucho con agua jabonosa y, luego, deslice el conjunto en el eje del motor (la cara del sello primero) hasta que el anillo impulsor de caucho toque el hombro del eje.
5. Atornille el impulsor al eje hasta que el centro del impulsor toque el hombro del eje. Esto hará que el sello se ubique automáticamente en su lugar y que la arandela de sellado quede orientada hacia arriba contra el asiento. Vuelva a colocar el tornillo del impulsor (si se usa).

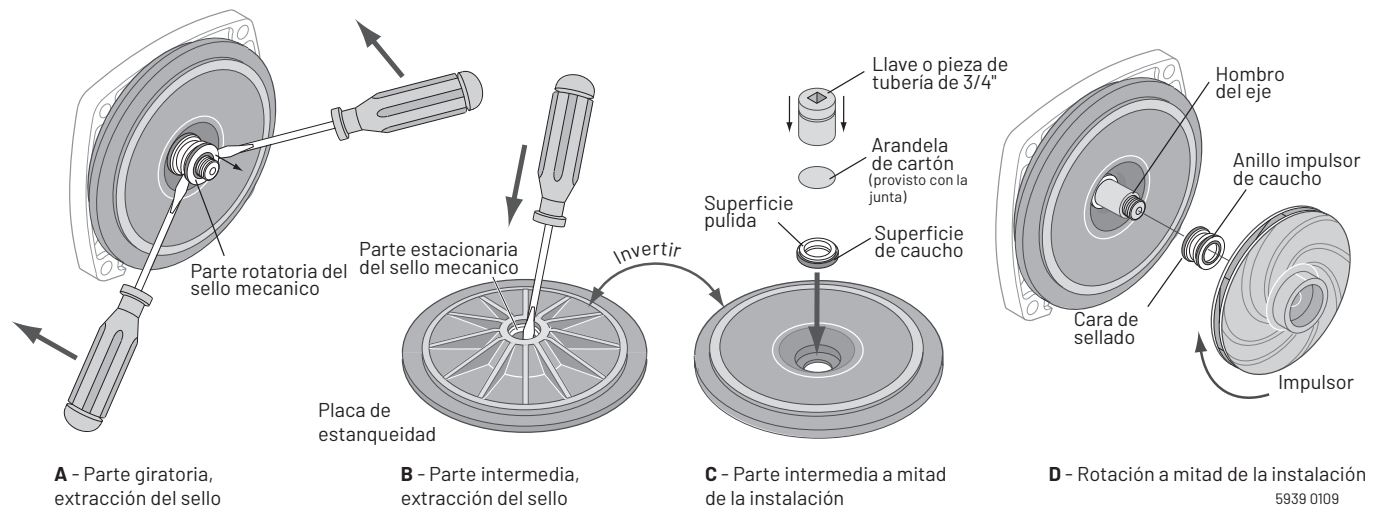


FIGURA 5

MANTENIMIENTO

PEDIDO DE PIEZAS DE REPUESTO

Ubique la placa de identificación en la bomba Pentair Sta-Rite*. Por lo general, esta placa se encuentra en la carcasa o soporte de la bomba (placa de estanqueidad).

A fin de garantizar que reciba las piezas correctas, proporcione toda la información que figura en la placa de identificación cuando realice el pedido. El Número de catálogo es de suma importancia a los fines de referencia.

Escriba la información que figura en la placa de identificación en los espacios proporcionados aquí abajo, ya que las placas de identificación se desgastan o pierden.

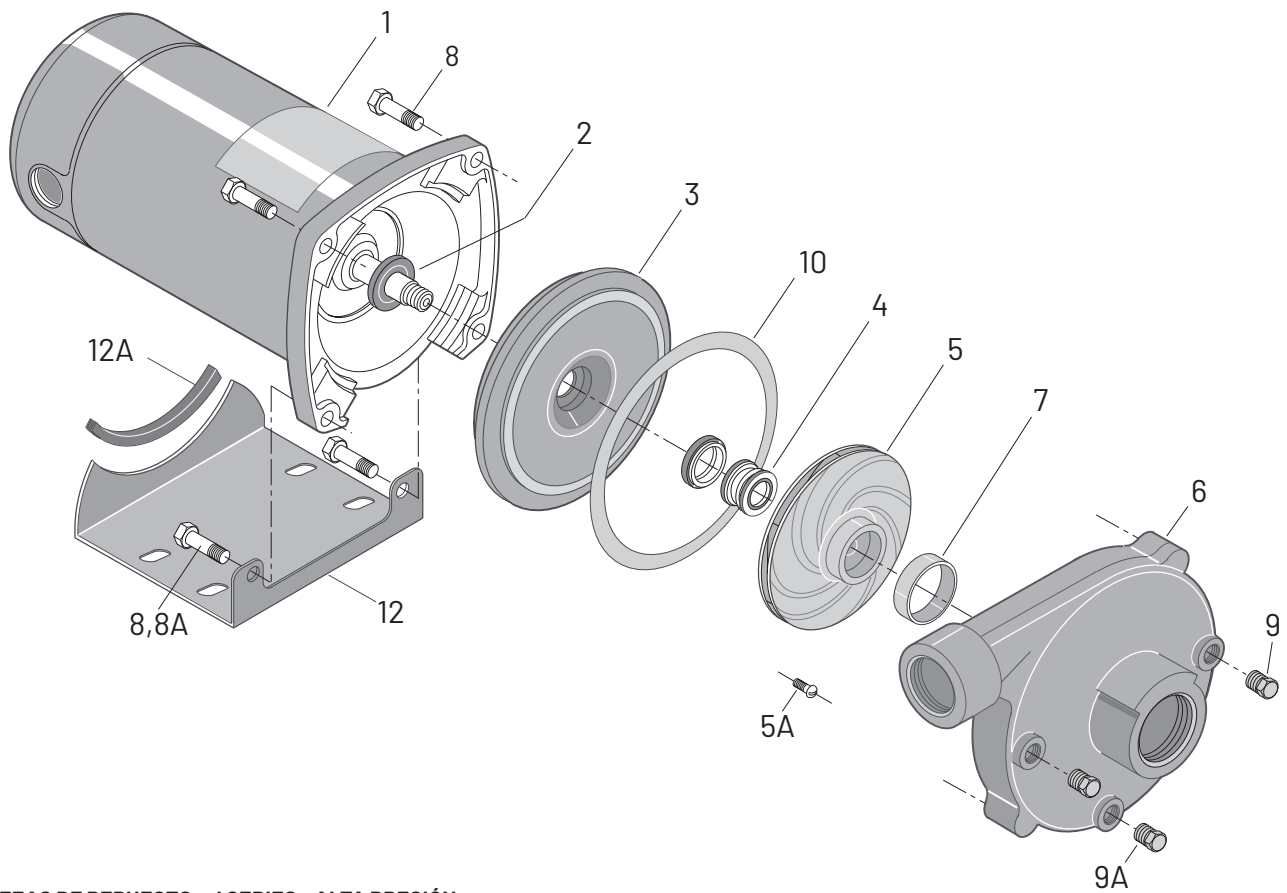
Modelo: _____

Núm. de serie o fecha: _____

Diám. del impulsor: _____

Núm. de catálogo: _____

ESPECIFICACIONES



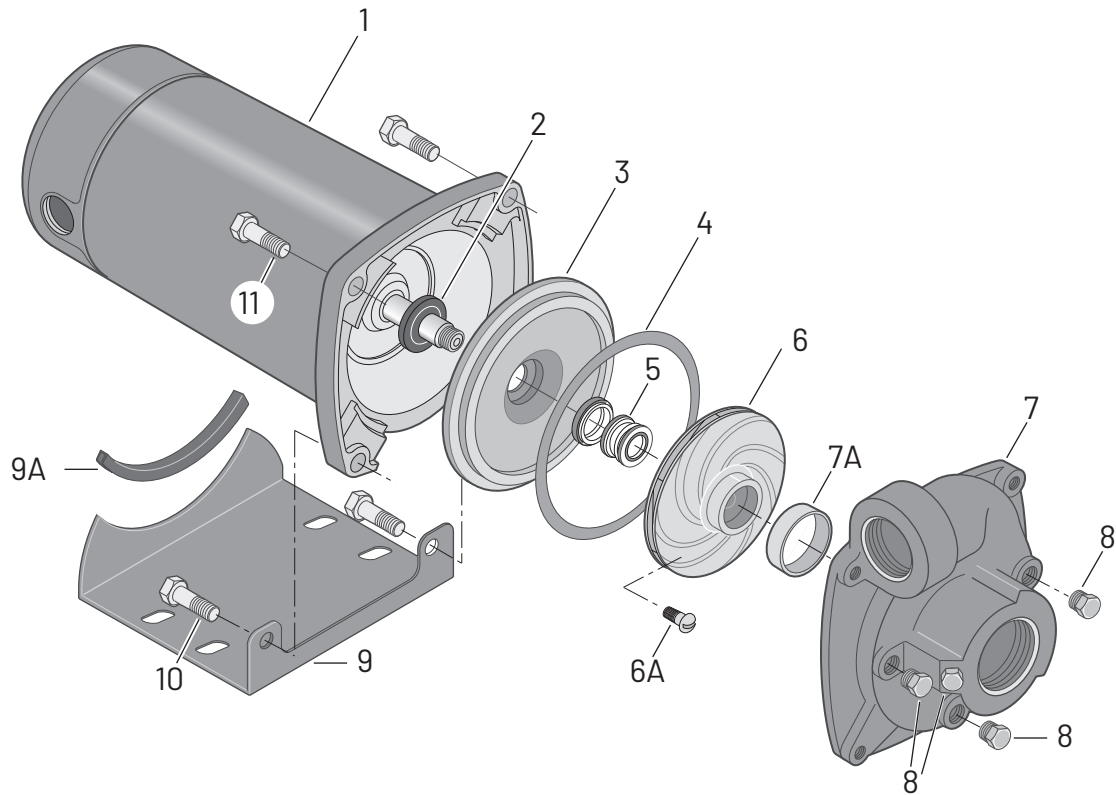
LISTA DE PIEZAS DE REPUESTO - J SERIES - ALTA PRESIÓN

Núm. de referencia	Descripción de la pieza	Cant. empleada	MOTOR Y POTENCIA						
			JHB-61HL - 1/3 Hp	JHC-61HL JHC3-61H 1/2 Hp	JHD-62HL JHD3-62H 3/4 Hp	JHE-63HL JHE3-63H 1Hp	JHF-51HL JHF3-51H 1-1/2 Hp	JHG-52HL JHG3-52H 2 Hp	JHHG-53HL JHHG3-53H 2-1/2 Hp
1†	Motor monofásico de 115/230 V	1	J218-582APKG	J218-582APKG	J218-590PKG	J218-596PKG	J218-601PKG	J218-883APKG	J218-628APKG
1	Motor trifásico de 230/460 V	1	-	AP100CL	AP100DL	AP100EL	AP100FL	AP100GL	AP100G5L
2**	Deflector de agua	1	17351-0009	17351-0009	17351-0009	17351-0009	17351-0009	17351-0009	17351-0009
3	Placa de estanqueidad	1	C3-178t	C3-178	C3-178	C3-178	C3-178	C3-181	C3-181
4**	Sello Mecanico	1	U109-6A	U109-6A	U109-6A	U109-6A	U109-6A	U109-6A	U109-6A
5	Impulsor (motores monofásicos)	1	C105-92PNX	C105-92PNX	C105-92PMX	C105-92PLX	C105-92PBX	C105-214PCA	C105-214PA
5	Impulsor (motores trifásicos)	1	-	C105-92PNXA	C105-92PMXA	C105-92PLXA	C105-92PBXA	C105-214PCA	C105-214PA
5A	Impulsor de tornillo (motores trifásicos)	1	-	C30-12	C30-14SS	C30-14SS	C30-14SS	C30-14SS	C30-47SS
6	Conjunto de la voluta (incluye anillo de desgaste)	1	C101-284A	C101-284A	C101-284A	C101-284A	C101-284A	C101-264	C101-264B
7	Anillo de desgaste	(1)	C23-27	C23-27	C23-27	C23-27	C23-27	C23-19	C23-19
8A	Tornillo prisionero (3/8 - 16 x 1" de largo)	(2)	-	-	-	-	-	U30-74ZP	U30-99SS
8A	Tornillo prisionero (3/8 - 16 x 1-1/4" de largo)	(2)	U30-75ZP	U30-75ZP	U30-75ZP	U30-75ZP	U30-75ZP	-	-
8B	Tornillo prisionero (3/8 - 16 x 1-1/4" de largo)	(2)	U30-75ZP	U30-75ZP	U30-75ZP	U30-75ZP	U30-75ZP	U30-75ZP	U30-104ZP
9	Tapón de la tubería (1/4" NPT)	(3)	U78-941ZPV	U78-941ZPV	U78-941ZPV	U78-941ZPV	U78-941ZPV	U78-941ZPV	U78-941ZPV
10**	Junta (voluta)	1	C20-121C	C20-121C	C20-121C	C20-121C	C20-121C	C20-122C	C20-122C
11	Base	1	J104-9F	J104-9F	J104-9F	J104-9F	J104-9F	J104-9F	J104-9F
11A	Almohadilla del motor	1	C35-5S	C35-5S	C35-5S	C35-5S	C35-5S	C35-5S	C35-5S
JUEGO PARA TAREAS DE MANTENIMIENTO									
	Juego de sellos y empaquetaduras	1	PP1700	PP1700	PP1700	PP1700	PP1700	PP1700	PP1700

NOTA: ** Se incluye en el juego de juntas y estanqueidad.

† Para obtener piezas de repuesto o al realizar tareas de mantenimiento, siempre proporcione el Número de modelo del motor y cualquier otra información que figure en la Placa de modelo del motor.

ESPECIFICACIONES

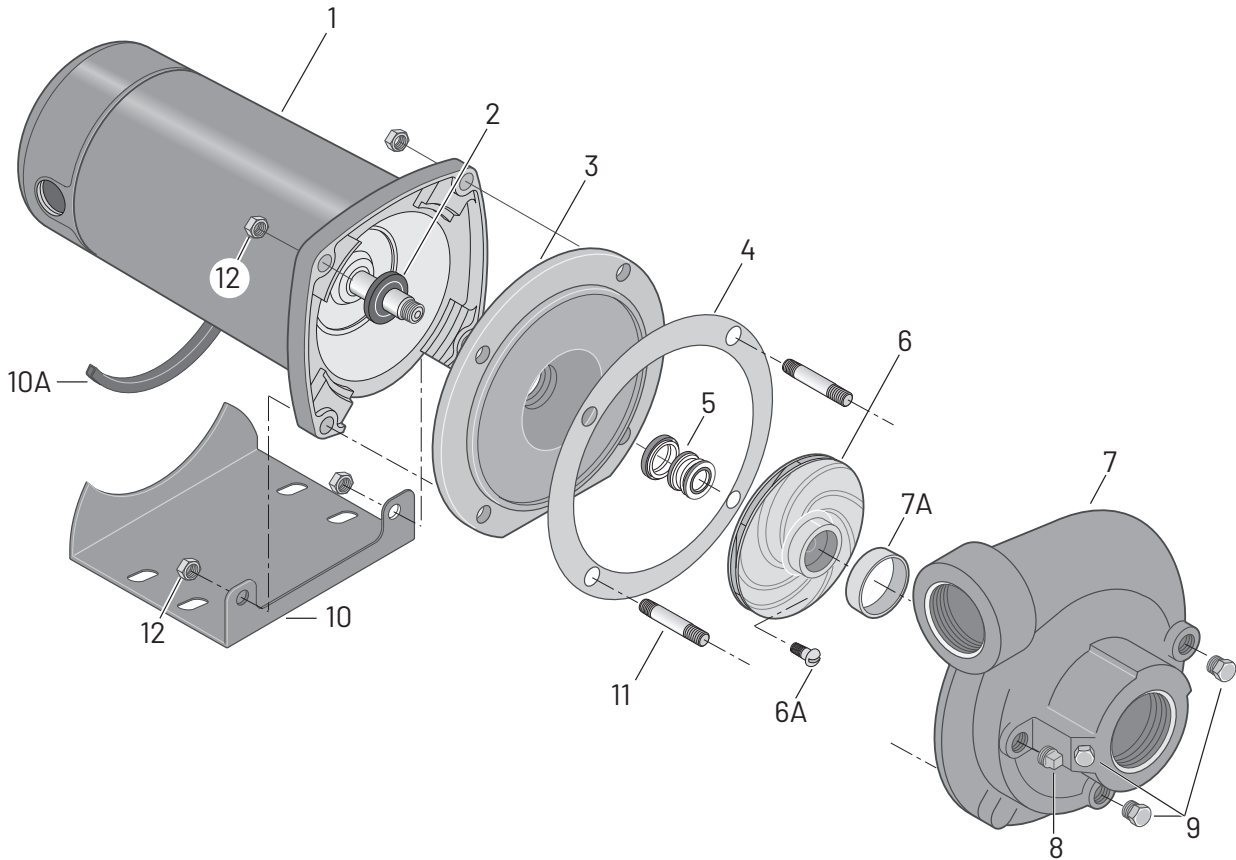


LISTA DE PIEZAS DE REPUESTO - J SERIES - PRESIÓN MEDIA

Núm. de referencia	Descripción de la pieza	Cant. empleada	MOTOR Y POTENCIA			
			JMB-56L - 1/3 Hp	JMC-56L JMC3-56 1/2 Hp	JMD-57L JMD3-57 3/4 Hp	JME-58L JME3-58 1 Hp
1†	Motor monofásico de 115/230 V	1	J218-582APKG	J218-582APKG	J218-590PKG	J218-596PKG
1†	Motor trifásico de 230/460 V	1	-	AP100CL	AP100DL	AP100EL
2**	Deflector de agua	1	17351-0009	17351-0009	17351-0009	17351-0009
3	Placa de estanqueidad	1	N3-8	N3-8	N3-8	N3-8
4	Placa de estanqueidad, junta	1	N20-26C	N20-26C	N20-26C	N20-26C
5**	Sello mecánico	1	U109-6A	U109-6A	U109-6A	U109-6A
6	Impulsor (motores monofásicos)	1	J105-42PHA	J105-42PHA	J105-42PJA	J105-42P
6	Impulsor (motores trifásicos)	1	-	J105-42PHA	J105-42PJA	J105-42PPA
6A	Tornillo del Impulsor (motores trifásicos)	1		C30-6SS	C30-6SS	C30-6SS
7	Conjunto de la voluta (con anillo de desgaste)	1	C101-122E	C101-122E	C101-122E	C101-122
7A	Anillo de desgaste (solo)	(1)	N23-7	N23-7	N23-7	N23-7
8	Tapón de la tubería (1/4" NPT)	(4)	U78-941ZPV	U78-941ZPV	U78-941ZPV	U78-941ZPV
9	Base	1	J104-9	J104-9	J104-9	J104-9
9A	Almohadilla del motor	1	C35-5S	C35-5S	C35-5S	C35-5S
10	Tornillos prisioneros (3/8 - 16 x 1-1/4")	(2)	U30-75ZP	U30-75ZP	U30-75ZP	U30-75ZP
11	Tornillos prisioneros (3/8 - 16 x 1-1/2")	(2)	U30-76ZP	U30-76ZP	U30-76ZP	U30-76ZP
JUEGO PARA TAREAS DE MANTENIMIENTO						
	Juego de sellos y empaquetaduras	1	PP1700	PP1700	PP1700	PP1700
AVISO: ** Se incluye en el juego de juntas y estanqueidad.						

† Para obtener piezas de repuesto o al realizar tareas de mantenimiento, siempre proporcione el Número de modelo del motor y cualquier otra información que figure en la Placa de modelo del motor.

ESPECIFICACIONES

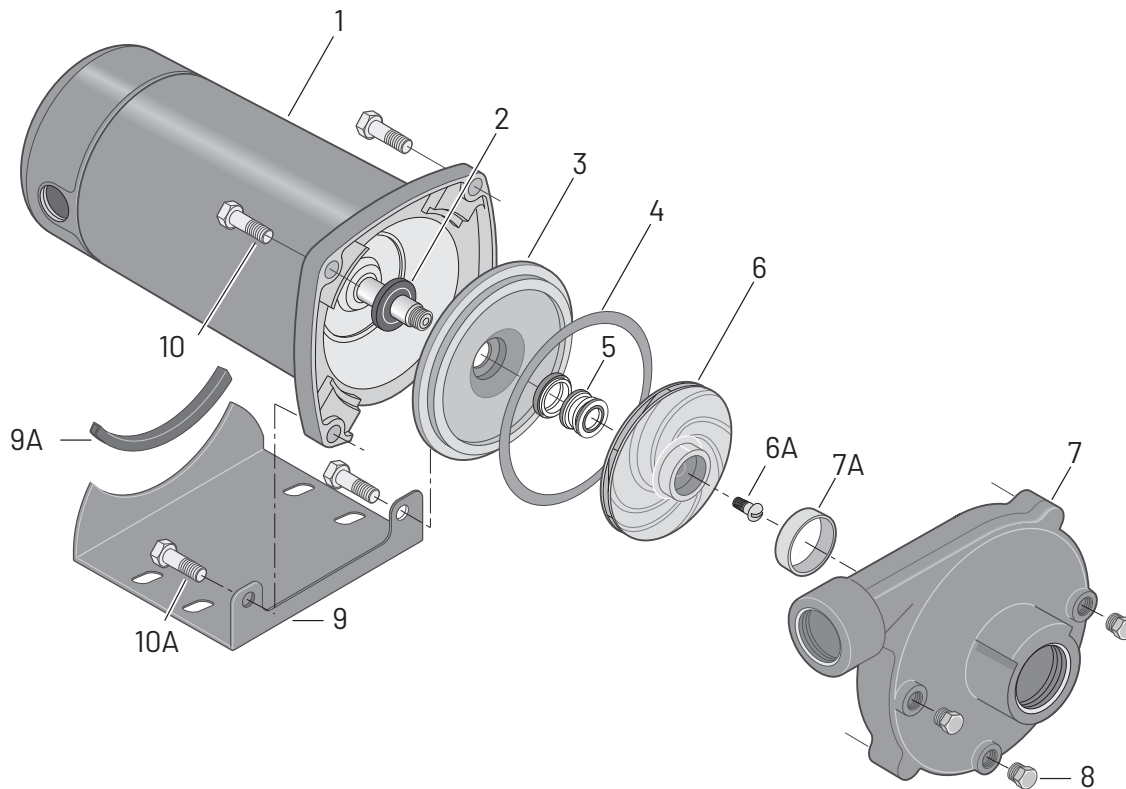


LISTA DE PIEZAS DE REPUESTO - J SERIES - PRESIÓN MEDIA

Núm. de referencia	Descripción de la pieza	Cant. empleada	MOTOR Y POTENCIA	
			JMF-40L JMF3-40 1-1/2 Hp	JMG-41L JMG3-41 2 Hp
1	Motor monofásico de 115/230 V	1	J218-601PKG	J218-883APKG
1	Motor trifásico de 230/460 V	1	AP100FL	AP100GL
2	Deflector de agua	1	17351-0009	17351-0009
3	Placa de estanqueidad	1	C3-52	C3-52
4	Placa de estanqueidad, junta	1	C20-21C	C20-21C
5	Sello mecanico	1	U109-6A	U109-6A
6	Impulsor (motores monofásicos)	1	C105-114PC	C105-114PNA
6	Impulsor (motores trifásicos)	1	C105-114PCA	C105-114PNA
6A	Impulsor de tornillo	1	C30-14SS	C30-14SS
7	Conjunto de la voluta con anillo de desgaste	1	C101-123	C101-123
7A	Anillo de desgaste	1	C23-19	C23-19
8	Tapón de la tubería (1/4" NPT, cabezal cuadrado)	1	U78-57DT	U78-57DT
9	Tapón de la tubería (1/4" NPT, cabezal hexagonal)	3	U78-941ZPV	U78-941ZPV
10	Base con almohadilla del motor	1	J104-9	J104-9
10A	Almohadilla del motor	1	C35-5S	C35-5S
11	Espárrago (3/8 - 16 x 1-13/16")	4	U30-35SS	U30-29
12	Tuerca hexagonal (3/8 - 16)	4	U36-38ZP	U36-38ZP
JUEGO PARA TAREAS DE MANTENIMIENTO				
	Juego de sellos y empaquetaduras	1	PP1700	PP1700
NOTA: ** Se incluye en el juego de juntas y estanqueidad.				

† Para obtener piezas de repuesto o al realizar tareas de mantenimiento, siempre proporcione el Número de modelo del motor y cualquier otra información que figure en la Placa de modelo del motor.

ESPECIFICACIONES

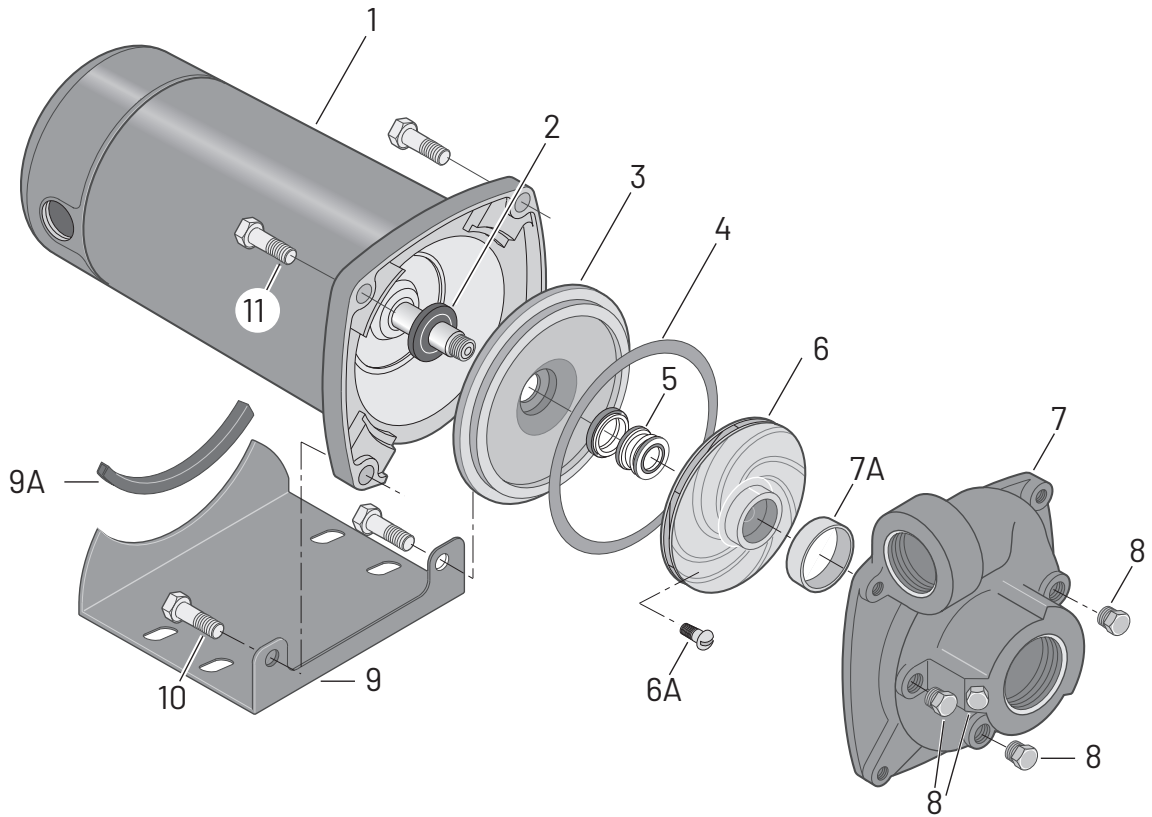


LISTA DE PIEZAS DE REPUESTO - JB SERIES - ALTA PRESIÓN

Núm. de referencia	Descripción de la pieza	Cant. empleada	MOTOR Y POTENCIA						
			JBHB-61S - 1/3 Hp	JBHC-61S JBHC3-61S 1/2 Hp	JBHD-62S JBHD3-62S 3/4 Hp	JBHE-63S JBHE3-63S 1 Hp	JBHF-51S JBHF3-51S 1-1/2 Hp	JBHG-52S JBHG3-52S 2 Hp	JBHHG-53S JBHHG3-53S 2-1/2 Hp
1	Motor monofásico de 115/230 V	1	J218-582APKG	J218-582APKG	J218-590PKG	J218-596PKG	J218-601PKG	J218-883APKG	J218-628APKG
1	Motor trifásico de 230/460 V	1	-	AP100CL	AP100DL	AP100EL	AP100FL	AP100GL	AP100G5L
† 2	Deflector de agua	1	17351-0009	17351-0009	17351-0009	17351-0009	17351-0009	17351-0009	17351-0009
3	Placa de estanqueidad	1	C3-178	C3-178	C3-178	C3-178	C3-178	C3-181	C3-181
† 4	Placa de estanqueidad, junta	1	C20-121C	C20-121C	C20-121C	C20-121C	C20-121C	C20-122C	C20-122C
† 5	Sello mecánico	1	U109-6A	U109-6A	U109-6A	U109-6A	U109-6A	U109-6A	U109-6A
6	Impulsor (motores monofásicos)	1	C5-256BA	C5-256BA	C5-256BAA	C5-254BA	C5-254BC	C5-257BB	C5-257B
6	Impulsor (motores trifásicos)	1	-	C5-256BA	C5-256BAA	C5-254BA	C5-254BC	C5-257BB	C5-257B
6A	Impulsor de tornillo (motores trifásicos)	1	C30-14SS	C30-14SS	C30-14SS	C30-14SS	C30-14SS	C30-14SS	C30-14SS
7	Conjunto de la voluta con anillo de desgaste	1	C101-284A	C101-284A	C101-284A	C101-284A	C101-284A	C101-264	C101-264B
7A	Anillo de desgaste	1	C23-27	C23-27	C23-27	C23-27	C23-27	C23-27	C23-27
8	Tapón de la tubería (1/4" NPT , cabezal hexagonal)	3	U78-941ZPV	U78-941ZPV	U78-941ZPV	U78-941ZPV	U78-941ZPV	U78-941ZPV	U78-941ZPV
9	Base con almohadilla del motor	1	J104-9	J104-9	J104-9	J104-9	J104-9	J104-9	J104-9F
9A	Almohadilla del motor	1	C35-5S	C35-5S	C35-5S	C35-5S	C35-5S	C35-5S	C35-5S
10	Tornillo prisionero hexagonal (3/8" - 16 x 1" de largo)	2	-	-	-	-	-	U30-74ZP	U30-74ZP
10	Tornillo prisionero Allen (3/8" - 16 x 1" de largo)(JBHHG-53S)	2	-	-	-	-	-	-	U30-99SS
10	Tornillo prisionero hexagonal (3/8" - 16 x 1-1/4" de largo)	2	U30-75ZP	U30-75ZP	U30-75ZP	U30-75ZP	U30-75ZP	-	-
11	Tornillo prisionero hexagonal (3/8" - 16 x 1-1/4" de largo)	2	U30-75ZP	U30-75ZP	U30-75ZP	U30-75ZP	U30-75ZP	U30-75ZP	U30-75ZP
11	Tornillo prisionero Allen (3/8" - 16 x 1-1/4" de largo) (JBHHG-53S)	2	-	-	-	-	-	-	U30-104ZP

† Para obtener piezas de repuesto o al realizar tareas de mantenimiento, siempre proporcione el Número de modelo del motor y cualquier otra información que figure en la Placa de modelo del motor.

ESPECIFICACIONES

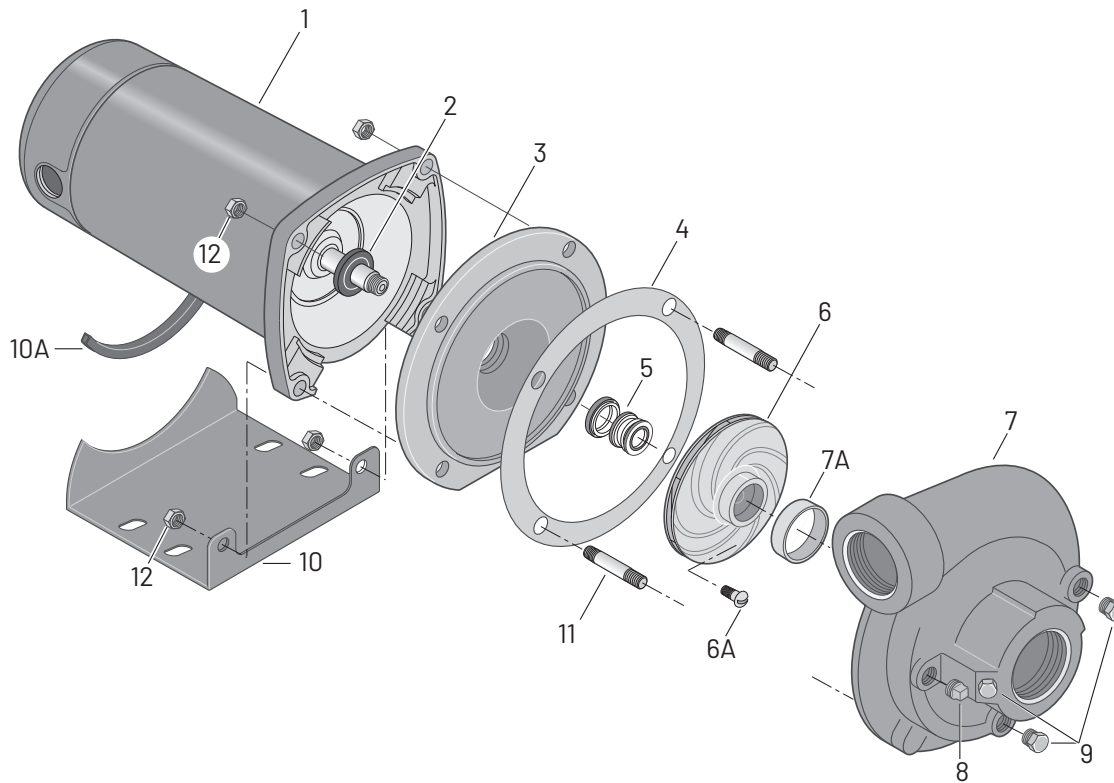


LISTA DE PIEZAS DE REPUESTO - J SERIES - PRESIÓN MEDIA

Núm. de referencia	Descripción de la pieza	Cant. empleada	MOTOR Y POTENCIA			
			JBMB-56S - 1/3 Hp	JBMC-56S JBMC3-56S 1/2 Hp	JBMD-57S JBMD3-57S 3/4 Hp	JBME-58S JBME3-58S 1 Hp
1	Motor monofásico de 115/230 V	1	J218-582APKG	J218-582APKG	J218-590PKG	J218-596PKG
1	Motor trifásico de 230/460 V	1	-	AP100CL	AP100DL	AP100EL
2	Deflector de agua	1	17351-0009	17351-0009	17351-0009	17351-0009
3	Placa de estanqueidad	1	N3-8	N3-8	N3-8	N3-8
4	Placa de estanqueidad, junta	1	N20-26C	N20-26C	N20-26C	N20-26C
5	Sello mecanico	1	U109-6A	U109-6A	U109-6A	U109-6A
6	Impulsor (motores monofásicos)	1	J105-42MA	J105-42MA	J105-42LA	J105-42NA
6	Impulsor (motores trifásicos)	1	-	J105-42MA	J105-42LA	J105-42NA
6A	Impulsor de tornillo	1	-	C30-6SS	C30-6SS	C30-6SS
7	Conjunto de la voluta con anillo de desgaste	1	C101-122E	C101-122E	C101-122E	C101-122
7A	Anillo de desgaste	1	N23-7	N23-7	N23-7	N23-7
8	Tapón de la tubería (1/4" NPT, cabezal hexagonal)	4	U78-941ZPV	U78-941ZPV	U78-941ZPV	U78-941ZPV
9	Base con almohadilla del motor	1	J104-9	J104-9	J104-9	J104-9
9A	Almohadilla del motor	1	C35-5S	C35-5S	C35-5S	C35-5S
10	Tornillo prisionero hexagonal (3/8" - 16 x 1-1/2" de largo)	2	U30-76ZP	U30-76ZP	U30-76ZP	U30-76ZP
11	Tornillo prisionero hexagonal (3/8" - 16 x 1-1/4" de largo)	2	U30-75ZP	U30-75ZP	U30-75ZP	U30-75ZP
JUEGO PARA TAREAS DE MANTENIMIENTO						
	Juego de sellos y empaquetaduras	1	PP1700	PP1700	PP1700	PP1700
NOTA: ** Se incluye en el juego de juntas y estanqueidad.						

† Para obtener piezas de repuesto o al realizar tareas de mantenimiento, siempre proporcione el Número de modelo del motor y cualquier otra información que figure en la Placa de modelo del motor.

ESPECIFICACIONES



LISTA DE PIEZAS DE REPUESTO - J SERIES - PRESIÓN MEDIA

Núm. de referencia	Descripción de la pieza	Cant. empleada	MOTOR Y POTENCIA		
			JBMF-40S JBMF3-40S 1-1/2 Hp	JBMG-41S JBMG3-41S 2 Hp	JBMMG-59S JBMMG3-59S 2-1/2 Hp
1	Motor monofásico de 115/230 V	1	J218-601PKG	J218-883APKG	J218-628APKG
1	Motor trifásico de 230/460 V	1	AP100FL	AP100GL	AP100G5L
2	Deflector de agua	1	17351-0009	17351-0009	17351-0009
3	Placa de estanqueidad	1	C3-52	C3-52	C3-52
4	Placa de estanqueidad, junta	1	C20-21C	C20-21C	C20-21C
5	Sello mecanico	1	U109-6A	U109-6A	U109-6A
6	Impulsor (motores monofásicos)	1	C105-79BA	C105-73BA	C105-80DA
6	Impulsor (motores trifásicos)	1	C105-79BA	C105-73BA	C105-80DA
6A	Impulsor de tornillo	1	C30-14SS	C30-14SS	C30-14SS
7	Conjunto de la voluta con anillo de desgaste	1	C101-123	C101-123	C101-123B
7A	Anillo de desgaste	1	C23-19	C23-19	C23-19
8	Tapón de la tubería (1/4" NPT, cabezal cuadrado)	1	U78-57DT	U78-57DT	U78-57DT
9	Tapón de la tubería (1/4" NPT, cabezal hexagonal)	3	U78-941ZPV	U78-941ZPV	U78-941ZPV
10	Base con almohadilla del motor	1	J104-9	J104-9	J104-9F
10A	Almohadilla del motor	1	C35-5S	C35-5S	C35-5S
11	Espárrago (3/8 - 16 x 1-13/16")	4	U30-35SS	U30-35SS	U30-35SS
12	Tuerca hexagonal (3/8 - 16)	4	U36-38ZP	U36-38ZP	U36-38ZP
JUEGO PARA TAREAS DE MANTENIMIENTO					
	Juego de sellos y empaquetaduras	1	PP1700	PP1700	PP1700

NOTA: ** Se incluye en el juego de juntas y estanqueidad.

† Para obtener piezas de repuesto o al realizar tareas de mantenimiento, siempre proporcione el Número de modelo del motor y cualquier otra información que figure en la Placa de modelo del motor.

SOLUCIÓN DE PROBLEMAS

Síntomas	Causas probables																	
	Eléctrica									Mecánica						Del sistema		
	A	B	C	D	E	F	G	H	I	A	B	C	D	E	F	A	B	C
La bomba funciona, pero no bombea agua.										X		X				X	X	
La bomba no bombea el agua suficiente.			X	X												X	X	
El agua no tiene la presión suficiente.			X	X												X	X	
La bomba tiene una vibración excesiva.																	X	X
La bomba produce ruidos anormales.																	X	X
La bomba se detiene.	X	X	X	X	X	X	X	X										
La bomba se sobrecalienta.		X	X	X					X		X		X	X	X			X

Causa	Medida correctiva
Eléctrica	
A. No hay tensión en el sistema eléctrico.	<p>Controle la fase a fase en el extremo de la línea del contactor de arranque.</p> <p>Controle el disyuntor o los fusibles.</p>
B. No hay tensión en una fase (unidades trifásicas).	Controle la fase de tensión en el extremo de la línea del contactor de arranque. Aísle el circuito abierto (disyuntor, fusible, conexiones rotas, etc.).
C. Baja tensión en el motor.	La tensión de funcionamiento en cada pata del motor debe ser $\pm 10\%$ de la tensión nominal que se muestra en la placa de identificación.
D. Los conductores del motor están incorrectamente agrupados para la tensión seleccionada.	Consulte el diagrama de agrupación de cables en la placa de identificación del motor.
E. Falla de control.	Controle que el dispositivo de control, el contactor de arranque, el interruptor selector manual-apagado-automático, etc., funcionen correctamente.
F. El interruptor de sobrecarga térmica está abierto.	Controle la fase a fase en el extremo de la línea del contactor de arranque.
G. La instalación no se completó con éxito.	Controle el motor o los bobinados a tierra con un megaohmímetro.
H. Bobinados abiertos.	Controle el extremo pierna a pierna con un ohmímetro.
I. Variación de frecuencia.	Controle la frecuencia del sistema de alimentación. Debe tener una variación inferior al 5 %, respecto de la clasificación que figura en la placa de identificación del motor.
Mecánica	
A. El caudal a través de la bomba está completa o parcialmente obstruido.	Localice y elimine la obstrucción. Para desmontar el sistema, consulte las instrucciones de reparación.
B. Dirección de rotación incorrecta.	Invierta la rotación del motor trifásico intercambiando cualquiera de los dos conductores. Para invertir a un motor monofásico, consulte las instrucciones del fabricante.
C. La bomba perdió cebado.	Vuelva a cebar la bomba. Inspeccione el sistema de succión en busca de fugas de aire.
D. Fuga interna.	Controle el impulsor en busca de signos de desgaste en las holguras controladas (consulte las instrucciones de reparación).
E. Piezas sueltas.	Inspeccione. Repare.
F. El prensaestopas no está debidamente ajustado.	Ajuste el casquillo del prensaestopas.
Del sistema	
A. La presión requerida por el sistema con el caudal de diseño supera la presión nominal de la bomba.	<p>Compare la presión y el caudal nominales de la bomba con la curva característica de la bomba. Controle que la válvula no esté cerrada o parcialmente cerrada en el sistema de tuberías de descarga.</p> <p>Reduzca el requisito de presión del sistema. Aumente la capacidad de presión de la bomba.</p>
B. Obstrucción en la tubería de succión.	Localice y elimine la obstrucción.
C. La clasificación de presión de la bomba supera el requisito de presión del sistema para el caudal de diseño.	<p>Compare la presión y el caudal nominales de la bomba con la curva característica de la bomba.</p> <p>Inspeccione el sistema de tuberías de descarga en busca de roturas, fugas, válvulas de derivación abiertas, etc. Si es necesario, reduzca la velocidad de caudal cerrando parcialmente la válvula de descarga.</p>

GARANTÍA

Garantía limitada

Pentair Sta-Rite* le garantiza al comprador consumidor original (en adelante, el "Comprador" o "usted") que los productos que se mencionan a continuación estarán libres de defectos de material y mano de obra durante el Plazo de garantía que se muestra a continuación.

Producto	Plazo de garantía
Productos de sistemas de agua: bombas de chorro, bombas centrífugas pequeñas, bombas sumergibles y accesorios relacionados	lo que ocurra primero: 12 meses desde la fecha de instalación original o 18 meses desde la fecha de fabricación
Tanques compuestos Pentair Pro-Source*	5 años desde la fecha de instalación original
Tanques de presión de acero Pentair Pro-Source	5 años desde la fecha de instalación original
Tanques con revestimiento epoxi Pentair Pro-Source	3 años desde la fecha de instalación original
Sumidero/desagüe/productos residuales	12 meses desde la fecha de instalación original o 18 meses desde la fecha de fabricación

Nuestra garantía no se aplica a ningún producto que, según nuestro criterio exclusivo, se haya usado de manera descuidada, no se haya instalado debidamente, no haya recibido el mantenimiento adecuado, o bien se haya usada para cualquier otro fin que no es el previsto. Sin perjuicio de lo anterior, hacer funcionar un motor trifásico con una tensión monofásica mediante un convertidor de fase anulará la garantía. Tenga en cuenta que los motores trifásicos se deben proteger con relés de tres patas, de compensación ambiental y activación extrarrápida con la capacidad recomendada o la garantía se anulará.

Su único recurso compensatorio, y la única obligación de Pentair Sta-Rite, es la reparación o reemplazo de los productos defectuosos por parte de Pentair Sta-Rite (según el criterio exclusivo de Pentair Sta-Rite). Usted debe pagar todos los costos de mano de obra y envío asociados con esta garantía y debe solicitar el servicio de garantía mediante el proveedor de instalación tan pronto se descubra el problema. No se aceptará ninguna solicitud de servicio si se recibe después de que el Plazo de garantía haya caducado. Esta garantía no es transferible.

PENTAIR STA-RITE NO ASUME NINGUNA RESPONSABILIDAD POR NINGÚN DAÑO CONSECUENTE, INCIDENTAL O CONTINGENTE DE NINGÚN TIPO. LAS GARANTÍAS QUE ANTECEDEN SON DE CARÁCTER EXCLUSIVO Y REEMPLAZAN A CUALQUIER OTRA GARANTÍA, EXPRESA O IMPLÍCITA, INCLUIDAS, ENTRE OTRAS, LAS GARANTÍAS IMPLÍCITAS DE COMERCIABILIDAD Y ADECUACIÓN PARA UN FIN ESPECÍFICO. LAS GARANTÍAS QUE ANTECEDEN NO SE EXTIENDEN MÁS ALLÁ DEL PLAZO EXPRESAMENTE ESTABLECIDO EN ESTE DOCUMENTO.

Algunos estados no permiten la exclusión o limitación de daños incidentales o consecuentes o las limitaciones referidas al plazo de una garantía implícita, por lo cual es posible que las limitaciones o exclusiones que anteceden no se apliquen a su caso. Esta garantía le otorga derechos legales específicos y es posible que también tenga otros derechos, lo cuales varían según el estado. La fecha de entrada en vigencia de esta garantía limitada es el 16 de mayo de 2019. Esta garantía limitada reemplaza a todas las garantías sin fecha y a todas las garantías con cualquier fecha anterior al 16 de mayo de 2019.



293 Wright Street | Delavan, WI 53115 | Tel.: 866-973-6835 | Fax para pedidos: 800-321-8793 | pentair.com

*Para obtener una lista detallada de los lugares en que las marcas comerciales de Pentair se encuentran registradas, visite www.pentair.com/en/registrations.html. Las marcas comerciales y los logotipos de Pentair son propiedad de Pentair PLC. o de sus filiales. Las marcas comerciales y los logotipos registrados y no registrados de cualquier tercero son propiedad de sus respectivos propietarios. Ya que mejoramos continuamente nuestros productos y servicios, Pentair se reserva el derecho a cambiar las especificaciones sin aviso previo. Pentair es un empleador que ofrece igualdad de oportunidades.

S873-01M-SP (09-09-19) ©2019 Pentair. Todos los derechos reservados.