



STA-RITE®

OWNER'S MANUAL

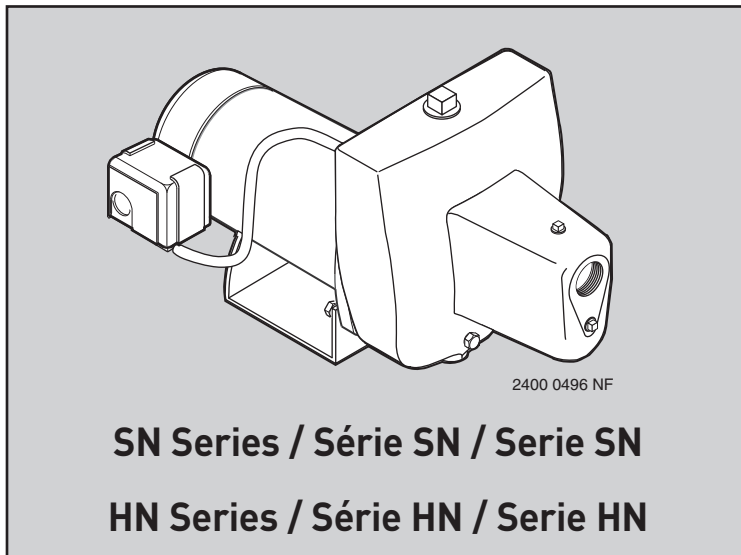
Shallow Well Jet Pumps

NOTICE D'UTILISATION

Pompes à éjecteur pour puits peu profonds

MANUAL DEL PROPIETARIO

Bombas tipo "Jet" para pozos poco profundos



Installation/Operation/Parts

For further operating, installation, or maintenance assistance:

Call 888-782-7483

English..... Pages 2-14

Installation/Fonctionnement/ Pièces

Pour plus de renseignements concernant l'utilisation, l'installation ou l'entretien,

composer le 888-782-7483

Français..... Pages 15-27

Instalación/Operación/Piezas

Para mayor información sobre el funcionamiento, instalación o mantenimiento de la bomba:

llame al 888-782-7483

Español..... Paginas 28-40

READ AND FOLLOW SAFETY INSTRUCTIONS!

⚠ This is the safety alert symbol. When you see this symbol on your pump or in this manual, look for one of the following signal words and be alert to the potential for personal injury:

⚠ DANGER warns about hazards that **will** cause serious personal injury, death or major property damage if ignored.

⚠ WARNING warns about hazards that **can** cause serious personal injury, death or major property damage if ignored.

⚠ CAUTION warns about hazards that **will** or **can** cause minor personal injury or property damage if ignored.

The label **NOTICE** indicates special instructions which are important but not related to hazards.


Carefully read and follow all safety instructions in this manual and on pump.

Keep safety labels in good condition.
Replace missing or damaged safety labels.

California Proposition 65 Warning

⚠ WARNING This product and related accessories contain chemicals known to the State of California to cause cancer, birth defects or other reproductive harm.

⚠ WARNING



Hazardous voltage. Can shock, burn, or cause death.

Ground pump before connecting to power supply. Disconnect power before working on pump, motor or tank.

- ⚠** Wire motor for correct voltage. See "Electrical" section of this manual and motor nameplate.
- ⚠** Ground motor before connecting to power supply.
- ⚠** Meet National Electrical Code, Canadian Electrical Code, and local codes for all wiring.
- ⚠** Follow wiring instructions in this manual when connecting motor to power lines.

ELECTRICAL SAFETY

⚠ WARNING Capacitor voltage may be hazardous. To discharge motor capacitor, hold insulated handle screwdriver **BY THE HANDLE** and short capacitor terminals together. Do not touch metal screwdriver blade or capacitor terminals. If in doubt, consult a qualified electrician.

GENERAL SAFETY

⚠ CAUTION Do not touch an operating motor. Modern motors are designed to operate at high temperatures. To avoid burns when servicing pump, allow it to cool for 20 minutes after shut-down before handling.

Do not allow pump or any system component to freeze. To do so will void warranty.

Pump water only with this pump.

Periodically inspect pump and system components.

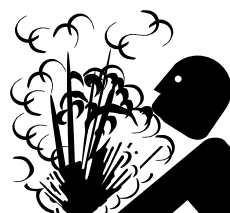
Wear safety glasses at all times when working on pumps.

Keep work area clean, uncluttered and properly lighted; store properly all unused tools and equipment.

Keep visitors at a safe distance from the work areas.

⚠ WARNING Pump body may explode if used as a booster pump unless relief valve capable of passing full pump flow at 75 psi is installed.

⚠ WARNING



Hazardous pressure! Install pressure relief valve in discharge pipe.

Release all pressure on system before working on any component.

	Page
General Safety	2
Warranty.....	3
Installation (Well Pumps).....	4, 5
Connecting Discharge Piping.....	6
Pressure Booster System.....	7
Electrical.....	8, 9
Preparing To Start The Pump	10
Repair Parts	11-13
Troubleshooting.....	14

Limited Warranty

STA-RITE warrants to the original consumer purchaser (“Purchaser” or “You”) of the products listed below, that they will be free from defects in material and workmanship for the Warranty Period shown below.

Product	Warranty Period
Water Systems Products — jet pumps, small centrifugal pumps, submersible pumps and related accessories	<i>whichever occurs first:</i> 12 months from date of original installation, or 18 months from date of manufacture
Pro-Source™ Composite Tanks	5 years from date of original installation
Pro-Source™ Steel Pressure Tanks	5 years from date of original installation
Pro-Source™ Epoxy-Lined Tanks	3 years from date of original installation
Sump/Sewage/Effluent Products	12 months from date of original installation, or 18 months from date of manufacture

Our warranty will not apply to any product that, in our sole judgement, has been subject to negligence, misapplication, improper installation, or improper maintenance. Without limiting the foregoing, operating a three phase motor with single phase power through a phase converter will void the warranty. Note also that three phase motors must be protected by three-leg, ambient compensated, extra-quick trip overload relays of the recommended size or the warranty is void.

Your only remedy, and STA-RITE’s only duty, is that STA-RITE repair or replace defective products (at STA-RITE’s choice). You must pay all labor and shipping charges associated with this warranty and must request warranty service through the installing dealer as soon as a problem is discovered. No request for service will be accepted if received after the Warranty Period has expired. This warranty is not transferable.

STA-RITE SHALL NOT BE LIABLE FOR ANY CONSEQUENTIAL, INCIDENTAL, OR CONTINGENT DAMAGES WHATSOEVER. THE FOREGOING WARRANTIES ARE EXCLUSIVE AND IN LIEU OF ALL OTHER EXPRESS AND IMPLIED WARRANTIES, INCLUDING BUT NOT LIMITED TO THE IMPLIED WARRANTIES OF MERCHANTABILITY AND FITNESS FOR A PARTICULAR PURPOSE. THE FOREGOING WARRANTIES SHALL NOT EXTEND BEYOND THE DURATION EXPRESSLY PROVIDED HEREIN. Some states do not allow the exclusion or limitation of incidental or consequential damages or limitations on the duration of an implied warranty, so the above limitations or exclusions may not apply to You. This warranty gives You specific legal rights and You may also have other rights which vary from state to state.

This Limited Warranty is effective June 1, 2011 and replaces all undated warranties and warranties dated before June 1, 2011.

STA-RITE INDUSTRIES
293 Wright Street • Delavan, WI U.S.A. 53115
Phone: 1-888-782-7483 • Fax: 1-800-426-9446 • Web Site: sta-rite.com

REPLACING AN OLD PUMP

⚠ WARNING Hazardous voltage. Disconnect power to pump before working on pump or motor.

1. Drain and remove the old pump. Check the old pipe for scale, lime, rust, etc., and replace it if necessary.
2. Install the pump in the system. Make sure that all pipe joints in the suction pipe are air-tight as well as water tight. *If the suction pipe can suck air, the pump will not be able to pull water from the well.*
3. Adjust the pump mounting height so that the plumbing connections do not put a strain on the pump body. Support the pipe so that the pump body does not take the weight of piping or fittings.

You have just completed the well plumbing for your new shallow well jet pump. Please go to Page 6 for discharge pipe and tank connections.

WELL POINT (DRIVEN POINT) INSTALLATION (FIGURE 1)

1. Drive the well, using “drive couplings” and a “drive cap”. “Drive fittings” are threaded all the way through and allow the pipe ends to butt against each other so that the driving force of the maul is carried by the pipe and not by the threads. The ordinary fittings found in hardware stores are not threaded all the way through the fitting and can collapse under impact. “Drive fittings” are also smoother than standard plumbing fittings, making ground penetration easier.

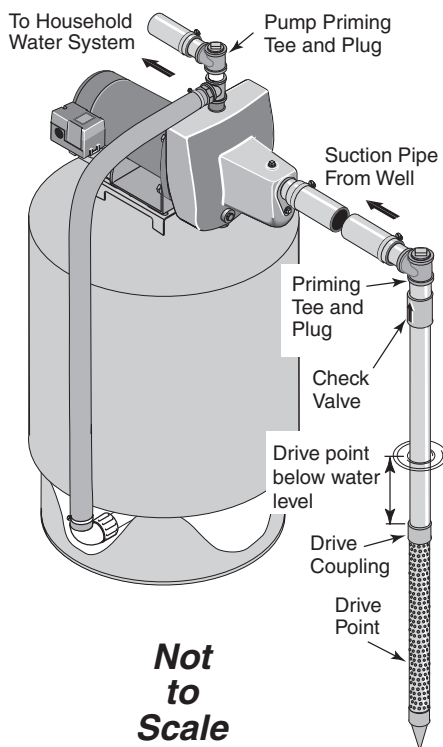


Figure 1: Driven Point Installation

2. Mount the pump as close to the well as possible.
3. Use the fewest possible fittings (especially elbows) when connecting the pipe from the well point to the pump suction port. The suction pipe should be at least as large as the suction port on the pump (include a check valve if your pump is not equipped with one – see Figure 1). Support the pipe so that there are no dips or sags in the pipe, so it doesn't strain the pump body, and so that it slopes slightly upward from the well to the pump (high spots can cause air pockets which can air lock the pump). Seal the suction pipe joints with PTFE pipe thread sealant tape. Joints must be air- and water-tight. *If the suction pipe can suck air, the pump cannot pull water from the well.* If one well point does not supply enough water, consider connecting two or three well points to one suction pipe.

You have just completed the suction piping for your new shallow well jet pump. Please go to Page 6 for discharge pipe and tank connections.

CASED WELL INSTALLATION, 2" OR LARGER CASING (FIGURE 2)

1. Mount the pump as close to the well as possible.
2. Assemble the foot valve, strainer, and well pipe (see Figure 2). Make sure that the foot valve works freely.
3. Lower the pipe into the well until the strainer is five feet above the bottom of the well. It should also be at least 10 feet below the well's water level *while the pump is running* in order to prevent the pump from sucking air. Install a sanitary well seal.

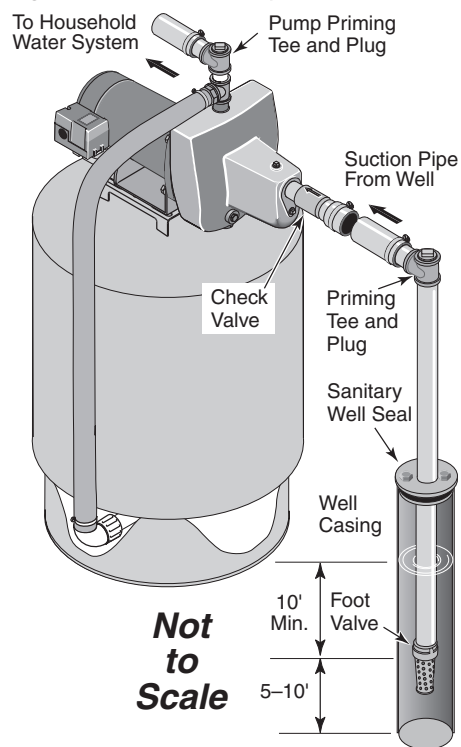


Figure 2: Cased Well Installation

4. Install a priming tee, priming plug, and suction pipe to the pump (see Figure 2). Connect the pipe from the well to the pump suction port, using the fewest possible fittings – especially elbows – as fittings increase friction in the pipe (however, include a foot valve – see Figure 2). The suction pipe should be at least as large as the suction port on the pump. Use PTFE pipe thread sealant tape on threaded pipe joints. Support the pipe so that there are no dips or sags in the pipe, so it doesn't strain the pump body, and so that it slopes slightly upward from the well to the pump (high spots can cause air pockets which can air lock the pump). Seal the suction pipe joints with PTFE pipe thread sealant tape. Joints must be air- and water-tight. *If the suction pipe can suck air, the pump cannot pull water from the well.*

You have just completed the suction piping for your new shallow well jet pump. Please go to Page 6 for discharge pipe and tank connections.

INSTALLATION FOR SURFACE WATER (FIGURE 3)

1. The pump should be installed as close to the water as possible, with the fewest possible fittings (especially elbows) in the suction pipe. The suction pipe should be at least as large as the suction port on the pump.

2. Assemble a foot valve and suction pipe (Figure 3). Make sure that the foot valve works freely. Use PTFE pipe thread sealant tape on threaded pipe joints. Protect the foot valve assembly from fish, trash, etc, by installing a screen around it (see Figure 3).
3. Lower the pipe into the water until the strainer is five feet above the bottom. It should also be at least 10 feet below the water level in order to prevent the pump from sucking air.
4. Install a priming tee, priming plug, and suction pipe to the pump (see Figure 3). Support the pipe so that there are no dips or sags in the pipe, so it doesn't strain the pump body, and so that it slopes slightly upward from the well to the pump (high spots can cause air pockets which can air lock the pump). Seal the suction pipe joints with PTFE pipe thread sealant tape. Joints must be air- and water-tight. *If the suction pipe can suck air, the pump cannot pull water from the well.*

You have just completed the plumbing for your new shallow well jet pump. Please go to Page 6 for discharge pipe and tank connections.

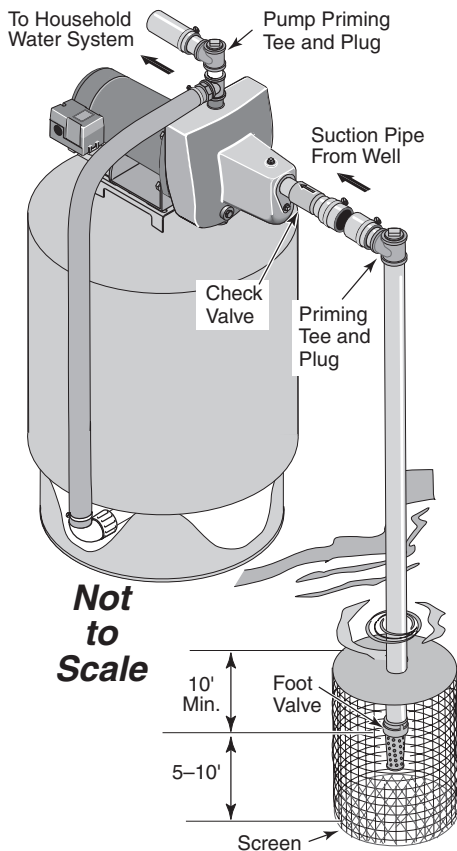


Figure 3: Surface Water Installation

PRE-CHARGE TANK CONNECTION (FIGURE 4)

1. Install two tees in the pump discharge port (see Figure 4). The pipe size must be at least as large as the discharge port.
2. Run a pipe or reinforced hose from one arm of the first tee to the port on the pre-charged tank.
3. Connect the other end of the discharge tee to your plumbing system.
4. Check the pre-charge of air in the tank with an ordinary tire gauge. The pre-charge should be 2 PSI less than the cut-in setting of the pump's pressure switch. The pre-charge is measured *when there is no water pressure in the tank*. Your new pump has a 30/50 PSI switch, so adjust the tank pre-charge pressure to 28 PSI.

Congratulations! You have just completed the tank connection for your jet pump.

Please go to Page 8 for electrical hookup.

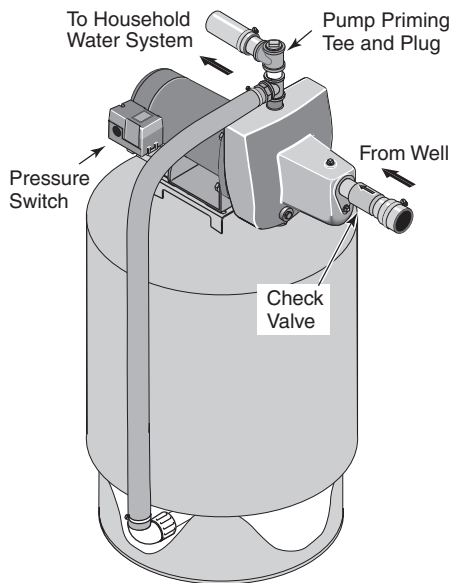


Figure 4: Pre-charged Tank Connections

2349 0396

STANDARD TANK CONNECTION (FIGURE 5)

1. Install one tee in the pump discharge port (see Figure 5).
2. Run a pipe from the pump discharge port to the inlet port of your tank. The pipe size must be at least as large as the discharge port.
3. Remove the 1/8" NPT pipe plug from the pump Air Volume Control (AVC) port (see Figure 5). Run tubing from the pump's AVC port (see Figure 5) to the port on the AVC mounted on the tank. See instructions provided with tank and AVC for details. AVC port location will vary, depending on your pump model (see exploded view, Page 11).

Congratulations! You have just completed the tank connection for your jet pump.

Please go to Page 8 for electrical hookup.

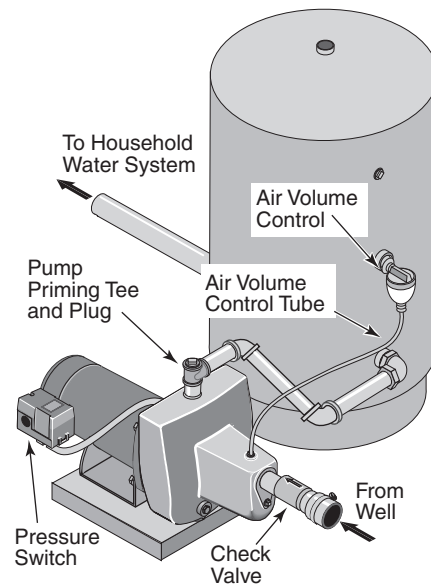


Figure 5: Standard Tank Connections

Sealing Pipe Joints

Use only PTFE pipe thread sealant tape for making all threaded connections to the pump itself. **Do not use pipe joint compounds on plastic pumps:** they can react with the plastic in pump components. Make sure that all pipe joints in the suction pipe are air tight as well as water tight. *If the suction pipe can suck air, the pump will not be able to pull water from the well.*

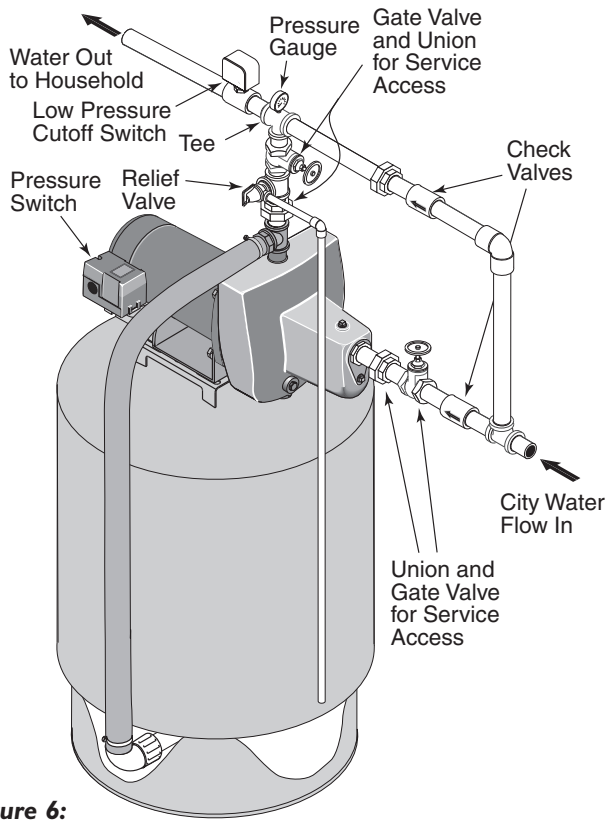


Figure 6:
Model SNCP42

2882 0198

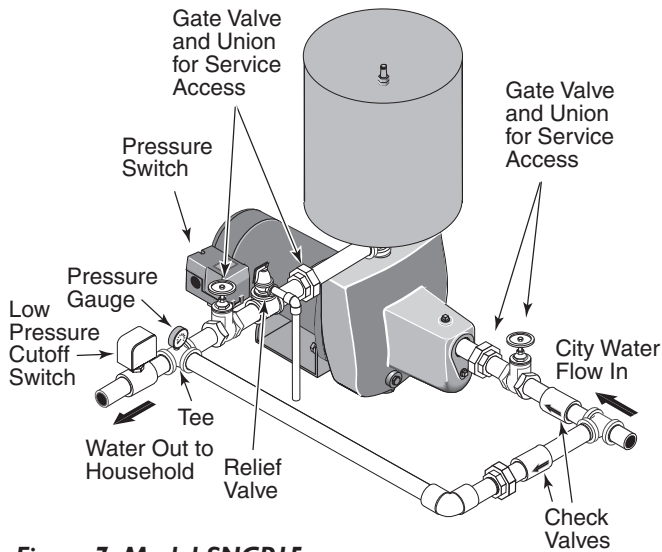


Figure 7: Model SNCP15

User Supplied Components:

- | | |
|--------------------------------|--------------------|
| Low Pressure Cutoff Switch (1) | Pressure Gauge (1) |
| Check Valves (2) | Unions (3) |
| Gate Valves (2) | Elbow (1) |
| Relief Valve (1) | Tees (2) |
| | Piping |

INSTALLATION

⚠ WARNING Hazardous pressure. Install a relief valve as shown capable of passing entire pump flow at 75 PSI. Pump body may explode if internal pressure exceeds 75 PSI.

⚠ WARNING Never run pump against closed discharge. To do so can boil water inside pump, causing hazardous pressure in unit, risk of explosion and possibly scalding persons handling pump.

NOTICE: The incoming flow rate must equal or exceed the minimum pump flow requirement of 6 Gallons per Minute or the pump will fail. As a rule, the pump will not increase the flow rate in the system.

A low pressure safety cutoff switch is recommended to shut off power to the pump in case of low discharge pressure caused by plugged nozzle, interruption to the incoming water supply, etc.

For pressure switch adjustment instructions, refer to the label inside the cover of the pressure switch.

The system can be located indoors or outdoors. Make sure that the site is level, solid, well drained, and protected from the weather and from freezing.

1. Turn off city water to house.
2. Install pipe as shown (Figures 6 & 7). Be sure to include unions and stop valves so pressure booster unit can be removed for service without interrupting household water supply. A spring loaded check valve ahead of the booster system and a low pressure cutoff switch after it are recommended (You may wish to replace the standard pressure switch with a pressure switch that includes a low pressure cutoff).
3. Use PTFE pipe thread sealant tape on all piping joints to prevent leaks.

Please go to Pages 8 and 9 for electrical hookup.

Table I: Pressure Switch Setting for Booster System

If Minimum Incoming System Pressure Is:	Use Pressure Switch Rated At:	Set Tank Precharge at:
Below 20 PSI	20/40; set cut-in to 20 PSI	18 PSI
20-30 PSI	30/50; set cut-in to 30 PSI	28 PSI
30-40 PSI	40/60; set cut-in to 40 PSI	38 PSI

⚠ Disconnect power before working on pump, motor, pressure switch, or wiring.

MOTOR SWITCH SETTINGS

Dual-voltage motors (motors that can operate at either 115 or 230 volts), are set at the factory to 230 volts. Do not change motor voltage setting if line voltage is 230 volts, or if you have a single voltage motor.

NOTICE: Never wire a 115 volt motor to a 230 volt line.

NOTICE: Wire TEFC motors according to wiring diagram in junction box on motor. Be sure motor is connected for correct line voltage.

NOTICE: Wire 3-Phase motors according to wiring diagram on motor. Be sure motor is connected for correct line voltage.

Remove Motor End Cover

If you have a dual-voltage motor, and will connect it to 115 volts, follow the procedure below.

You will need to remove the motor end cover to change the voltage setting.

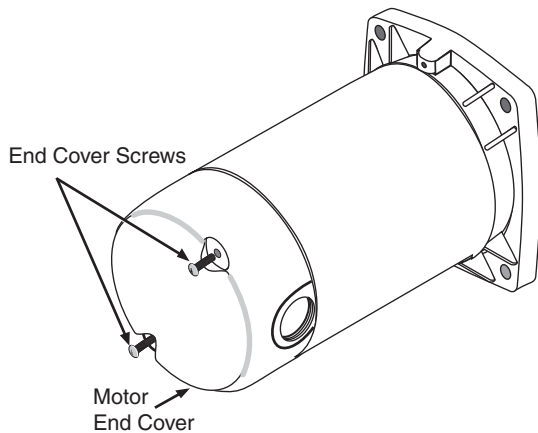


Figure 8: Removing End Cover

Your motor terminal board (located under the motor end cover) should look like the one below.

Dial Type Voltage Selector

To change to 115 volts:

1. Make sure power is off.
2. Turn the dial counter-clockwise until 115 shows in the dial window.

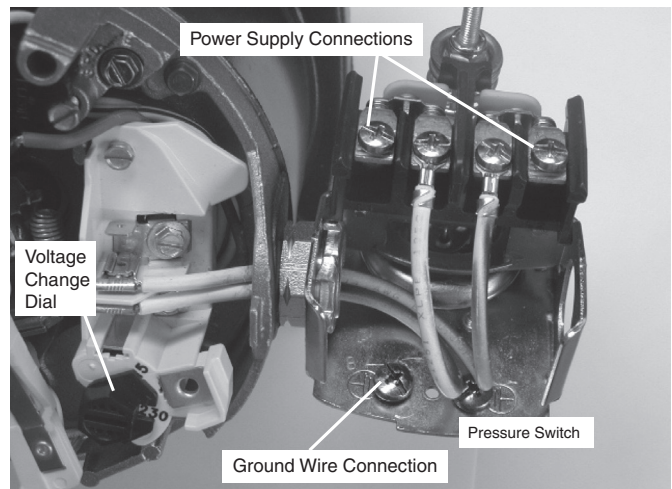


Figure 9: Voltage Adjustment Dial

3. Attach the power lead wires to the power lead terminals. Make sure the wires are secure.
4. Attach the ground wire to the green ground screw.
5. Reinstall the Motor end cover.

Go to Wiring Connections below.

⚠ WARNING Hazardous voltage. Can shock, burn, or kill. Connect ground wire before connecting power supply wires. Use the wire size (including the ground wire) specified in the wiring chart. If possible, connect the pump to a separate branch circuit with no other appliances on it.

⚠ WARNING Explosion hazard. Do not ground to a gas supply line.

WIRING CONNECTIONS

⚠ WARNING **Fire hazard.** Incorrect voltage can cause a fire or seriously damage the motor and voids the warranty. The supply voltage must be within $\pm 10\%$ of the motor nameplate voltage.

NOTICE: Dual-voltage motors are factory wired for 230 volts. If necessary, reconnect the motor for 115 volts, as shown. Do not alter the wiring in single voltage motors.

Install, ground, wire, and maintain your pump in compliance with the United States National Electrical Code (NEC) or the Canadian Electrical Code (CEC), as applicable, and with all local codes and ordinances that apply. Consult your local building inspector for code information.

Connection Procedure:

1. Connect the ground wire first as shown in Figure 9. The ground wire must be a solid copper wire at least as large as the power supply wires.

2. There must be a solid metal connection between the pressure switch and the motor for motor grounding protection. If the pressure switch is not connected to the motor, connect the green ground screw in the switch to the green ground screw under the motor end cover. Use a solid copper wire at least as large as the power supply wires.
3. Connect the ground wire to a grounded lead in a service panel, to a metal underground water pipe, to a metal well casing at least ten feet (3M) long, or to a ground electrode provided by the power company or the hydro authority.
4. Connect the power supply wires to the pressure switch as shown in Figure 9.

WIRING CHART – RECOMMENDED WIRE AND FUSE SIZES

Motor HP	Volts	Max. Load Amp	Branch Fuse Rating Amp	DISTANCE IN FEET(METERS) FROM MOTOR TO SUPPLY				
				0 - 100 (0 - 30)	101 - 200 (31 - 61)	201 - 300 (62 - 91)	301 - 400 (92 - 122)	401 - 500 (123 - 152)
				AWG WIRE SIZE (mm ²)				
1/2	115/230	8.8/4.4	15/15	14/14 (2/2)	12/14 (3/2)	10/14 (5.5/2)	8/14 (8.4/2)	8/12 (8.4/3)
3/4	115/230	12.2/6.1	20/15	12/14 (3/2)	10/14 (5.5/2)	8/14 (8.4/2)	6/12 (14/3)	6/12 (14/3)
1	115/230	14.8/7.4	20/15	12/14 (3/2)	8/14 (8.4/2)	6/14 (14/2)	6/12 (14/3)	4/10 (21/5.5)
1-1/2	115/230	19.9/10.0	25/15	10/14 (5.5/2)	8/14 (8.4/2)	6/12 (14/3)	4/10 (21/5.5)	4/10 (21/5.5)

PREPARING TO START THE PUMP

⚠ CAUTION Never run pump dry. Running pump without water may cause pump to overheat, damaging seal and possibly causing burns to persons handling pump. Fill pump with water before starting.

⚠ WARNING Never run pump against closed discharge. To do so can boil water inside pump, causing hazardous pressure in unit, risk of explosion and possibly scalding persons handling pump.

1. Remove the priming plug from the priming tee and fill the pump. Fill all piping between the pump and the well and make sure that all piping in the well is full. If you have also installed a priming tee in the suction piping, remove the plug from the tee and fill the suction piping.
2. Replace all fill plugs.
3. **Power on!** Start the pump. If you don't have water after 2 or 3 minutes, stop the pump and remove the fill plugs. Refill the pump and piping. You may have to repeat this several times in order to get all the trapped air out of the piping. A pump lifting water 25' may take as long as 15 minutes to prime.
4. After the pump has built up pressure in the system and shut off, check the pressure switch operation by opening a faucet or two and running enough water out to bleed off pressure until the pump starts. The pump should start when pressure drops to 30 PSI and stop when pressure reaches 50 PSI. Run the pump through one or two complete cycles to verify correct operation. This will also help clean the system of dirt and scale dislodged during installation.

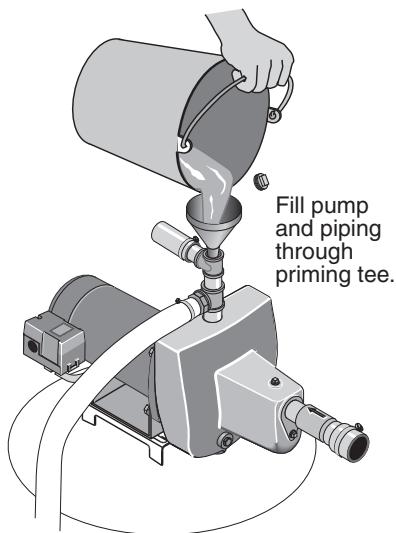


Figure 10: Prime the Pump

NOZZLE CLEAN OUT (LOW PRESSURE)

Use an icepick or bradawl to clean out the nozzle – 3/16" maximum diameter (see Figure 11). Be sure you **DO NOT** enlarge the hole in the nozzle. Use PTFE pipe thread sealant tape on plug when reassembling to seal it.

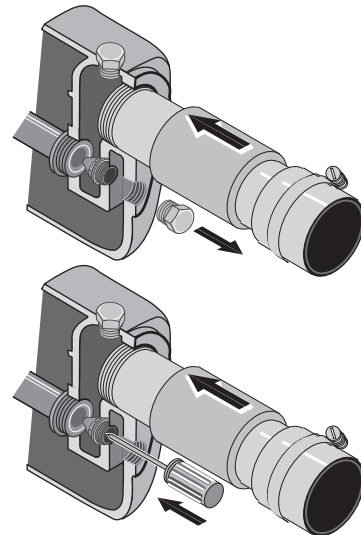
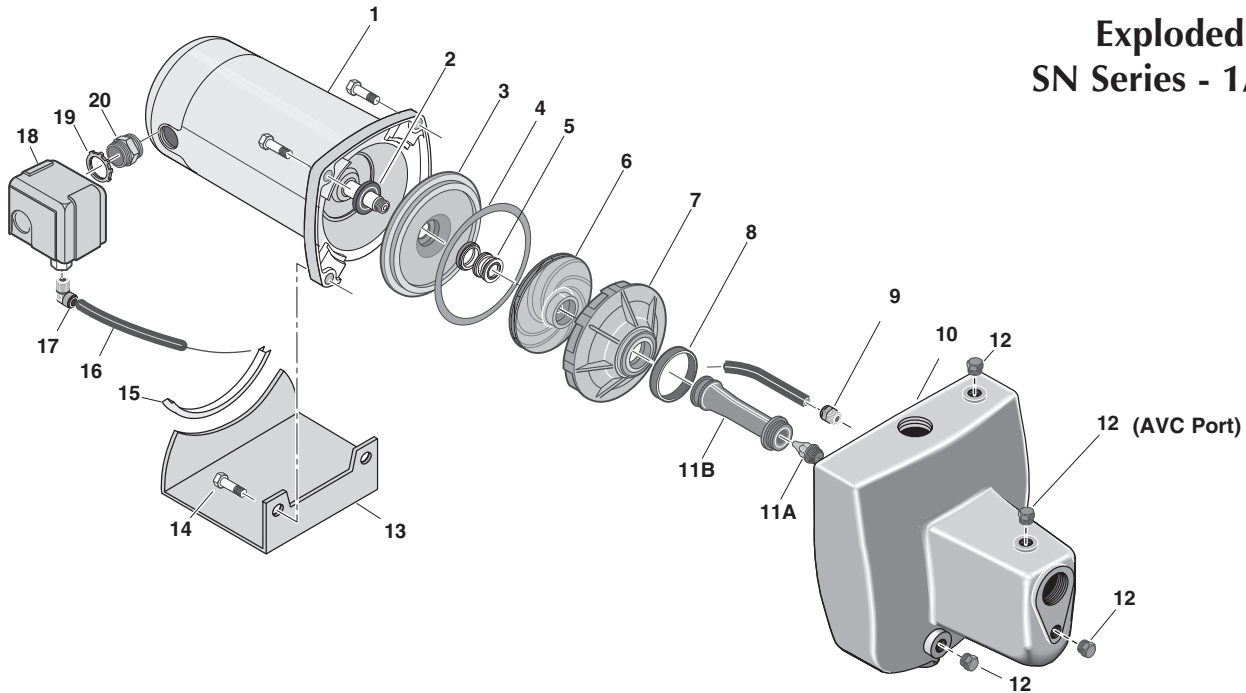


Figure 11: Use Icepick or Brad Awl to Clean Out Nozzle

Congratulations on a successful installation.

If you were unsuccessful, please refer to the Troubleshooting section (Page 14).

Exploded View SN Series - 1/2 HP



REPAIR PARTS LIST: SN Series, 1/2 HP

Key No.	Part Description	No. Used	Model and Horsepower		
			SNC-L 1/2 HP	SNC-HF25L 1/2 HP	SNC-5L 1/2 HP
1	Motor	1	J218-582APKG	J218-582APKG	J218-582APKG
#§2	Water Slinger	1	17351-0009	17351-0009	17351-0009
3	Seal Plate	1	N3-1043P	N3-1043P	N3-1043P
#§4	Seal Plate Gasket	1	N20-35	N20-35	N20-35
#§5	Shaft Seal	1	U109-6A	U109-6A	U109-6A
#6	Impeller	1	J105-40P	J105-40P	J105-40P
#7	Diffuser	1	L1-25P	L1-25P	L1-25P
#§8	Diffuser Gasket	1	N20-34	N20-34	N20-34
9	Quick Connect - 1/4" NPT	1	U11-217P	U11-217P	—
10	Pump Body - Assembly	1	N176-43	N176-43A	N176-43
11A	Nozzle	(1)	N34P-17(#43)	N34P-17(#43)	N34P-17(#43)
11B	Venturi	(1)	N32P-66	N32P-67	N32P-66
12	Pipe Plug - 1/4" NPT Hex Hd.	(4)	U78-941ZPV(3)	U78-941ZPV(3)	U78-941ZPV
13	Base	1	J4-9	J4-9	J4-9
14	Hex Capscrew - 3/8" - 16 x 1-1/4" Lg.	4	U30-75ZP	U30-75ZP	U30-75ZP
14	Hex Capscrew - 3/8" - 16 x 1-1/2" Lg.	2	—	—	—
15	Rubber Pad	1	C35-5	C35-5	C35-5
16	Tube 1/4" I.D.	1	U37-676P	U37-676P	—
17	Quick Connect Elbow - 1/4" NPT	1	U11-218P	U11-218P	—
18	Pressure Switch	1	U217-1225	U217-1226	—
19	Locknut - 1/2"	1	U36-112ZP	U36-112ZP	—
20	Connector	1	L43-5C	L43-5C	—

§ Included in Seal and Gasket Kit.

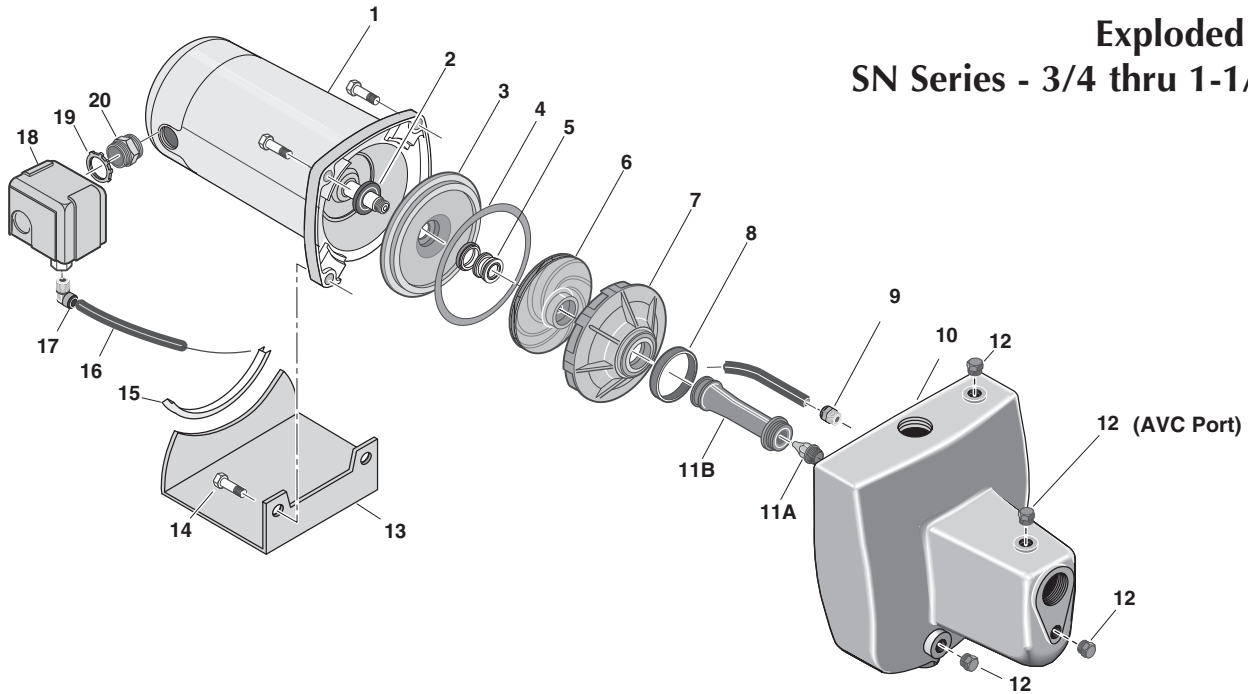
Included in Overhaul Kit.

NOTICE: Quantity is one unless otherwise noted ().

SERVICE KITS

§ Seal and Gasket Kit	PP1550	PP1550	PP1550
# Overhaul Kit	PP1560	PP1560	PP1560

Exploded View SN Series - 3/4 thru 1-1/2 HP



REPAIR PARTS LIST: SN Series, 3/4 thru 1-1/2 HP

Key No.	Part Description	No. Used	Model and Horsepower		
			SND-L 3/4 HP	SNE-L 1 HP	SNF-L 1-1/2 HP
1	Motor	1	J218-590PKG	J218-596PKG	J218-601PKG
#§2	Water Slinger	1	17351-0009	17351-0009	17351-0009
3	Seal Plate	1	N3-1043P	L3-10	L3-10
#§4	Seal Plate Gasket	1	N20-35	C20-21	C20-21
#§5	Shaft Seal	1	U109-6A	U109-6A	U109-6A
#6	Impeller	1	J105-42P	J105-8PAN	J105-22PA
#7	Diffuser	1	L1-25P	L1-23P	L1-23P
#§8	Diffuser Gasket	1	N20-34	—	—
•	Diffuser Screw	3	—	U30-489SS	U30-489SS
•	Diffuser Star Washer	3	—	U43-21SS	U43-21SS
9	Quick Connect - 1/4" NPT	1	U11-217P	U11-217P	U11-217P
10	Pump Body - Assembly	1	N176-43B	N176-44	N176-44A
11A	Nozzle	(1)	N34P-21(#47)	J34P-44(#54)	J34P-44(#54)
11B	Venturi	(1)	N32P-75	N32P-64	N32P-65
12	Pipe Plug - 1/4" NPT Hex Hd.	(4)	U78-941ZPV(3)	U78-941ZPV	U78-941ZPV
13	Base	1	J4-9	J4-9C	J4-9C
14	Hex Capscrew - 3/8" - 16 x 1-1/4" Lg.	4	U30-75ZP	U30-75ZP(2)	U30-75ZP(2)
14	Hex Capscrew - 3/8" - 16 x 1-1/2" Lg.	2	—	U30-76ZP	U30-76ZP
15	Rubber Pad	1	C35-5	C35-5	C35-5
16	Tube 1/4" I.D.	1	U37-676P	U37-672P	U37-672P
17	Quick Connect Elbow - 1/4" NPT	1	U11-218P	U11-218P	U11-218P
18	Pressure Switch	1	U217-1225	U217-1225	U217-1225
19	Locknut - 1/2"	1	U36-112ZP	U36-112ZP	U36-112ZP
20	Connector	1	L43-5C	L43-5C	L43-5C

§ Included in Seal and Gasket Kit.

Included in Overhaul Kit.

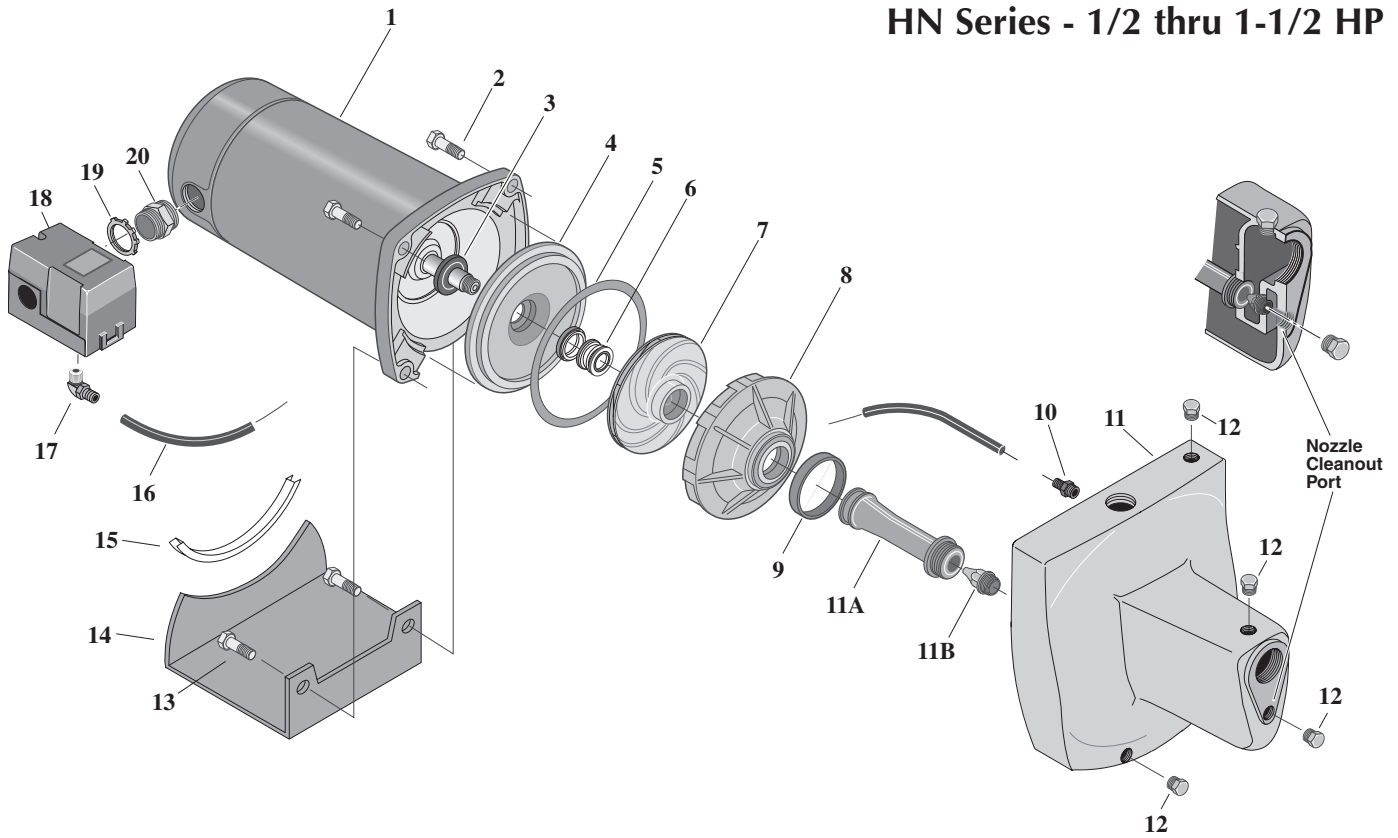
NOTICE: Quantity is one unless otherwise noted ().

• Not illustrated.

SERVICE KITS

§ Seal and Gasket Kit	PP1550	PP1553	PP1564
# Overhaul Kit	PP1561	PP1563	PP1514

Exploded View HN Series - 1/2 thru 1-1/2 HP



REPAIR PARTS LIST: HN Series, 1/2 thru 1-1/2 HP

Key No.	Part Description	Qty.	HNC-L 1/2 HP	HNDX 3/4 HP	HND-L 3/4 HP	HNE-X 1 HP	HNE-L 1 HP	HNE-FX 1-1/2 HP
1	Motor	1	J218-590PKG	J218-590PKG	J218-596PKG	J218-596PKG	J218-601PKG	J218-601PKG
2	Capscrew 3/8-16x1-1/4" Lg. Hex Hd.	4	U30-75ZP	U30-75ZP	-	-	-	-
2	Capscrew 3/8-16x1-1/2" Lg. Hex Hd.	2	-	-	U30-76ZP	U30-76ZP	U30-76ZP	U30-76ZP
3	Water Slinger	1	17351-0009	17351-0009	17351-0009	17351-0009	17351-0009	17351-0009
4	Seal Plate Assembly	1	N3-1043P	N3-1043P	L3-10	L3-10	L3-10	L3-10
5	Gasket, Seal Plate	1	N20-35	N20-35	C20-21	C20-21	C20-21	C20-21
6	Shaft Seal	1	U109-6A	U109-6A	U109-6A	U109-6A	U109-6A	U109-6A
7	Impeller	1	J105-42P	J105-42P	J105-8PAN	J105-8PAN	J105-22PA	J105-22PA
8	Volute Diffuser	1	L1-25P	L1-25P	L1-23P	L1-23P	L1-23P	L1-23P
9	Gasket, Diffuser	1	N20-34	N20-34	N20-34	N20-34	N20-34	N20-34
10	Quick Connect, 1/4" NPT	1	U11-217P	U11-217P	U11-217P	U11-217P	U11-217P	U11-217P
11	Pump Body Assembly*	1	N176-43B	N176-43B	N176-44	N176-44	N176-44A	N176-44A
11A	Venturi	1	N32P-75	N32P-75	N32P-64	N32P-64	N32P-65	N32P-65
11B	Nozzle	1	N34P-21 (#47)	N34P-21 (#47)	J34P-44 (#54)	J34P-44 (#54)	J34P-44 (#54)	J34P-44 (#54)
12	Pipe Plug, 1/4" NPT Hex Hd.	()	U78-941ZPV(3)	U78-941ZPV(3)	U78-941ZPV(4)	U78-941ZPV(4)	U78-941ZPV(4)	U78-941ZPV(4)
13	Capscrew 3/8-16x1-1/2" Lg. Hex Hd.	2	-	-	U30-76ZP	U30-76ZP	U30-76ZP	U30-76ZP
14	Base	1	J4-9	J4-9	J4-9C	J4-9C	J4-9C	J4-9C
15	Rubber Pad	1	C35-5	C35-5	C35-5	C35-5	C35-5	C35-5
16	Tube, 1/4" I.D. (length varies)	1	U37-676P	U37-676P	U37-672P	U37-672P	U37-677P	U37-677P
17	Quick Connect Elbow, 1/4" NPT	1	U11-218P	U11-218P	U11-218P	U11-218P	U11-218P	U11-218P
18	Pressure Switch	1	U217-1216	U217-1216	U217-1216	U217-1216	U217-1216	U217-1216
19	Locknut, 1/2"	1	U36-112ZPP	U36-112ZPP	U36-112ZPP	U36-112ZPP	U36-112ZPP	U36-112ZPP
20	Connector	1	L43-5C	L43-5C	L43-5C	L43-5C	L43-5C	L43-5C
	• Diffuser Screw, #8-32x3/4"	3	-	-	U30-489SS	U30-489SS	U30-489SS	U30-489SS
	• Diffuser Washer, #8 Ext. Tooth	3	-	-	U43-21SS	-	U43-21SS	U43-21SS
	• Pulsation Plug	1	-	-	-	-	U17-1131	U17-1131

• Not illustrated.

* Models HNC-L and HNDX require 3 pipe plugs; other models require 4 pipe plugs.

SYMPTOM	POSSIBLE CAUSE(S)	CORRECTIVE ACTION
Motor will not run	<p>Disconnect switch is off Fuse is blown or circuit breaker tripped Starting switch is defective Wires at motor are loose, disconnected, or wired incorrectly</p> <p>Pressure switch contacts are dirty</p>	<p>Be sure switch is on. Replace fuse or reset circuit breaker. DISCONNECT POWER; Replace starting switch. Refer to instructions on wiring (Page 8). DISCONNECT POWER; check and tighten all wiring.</p> <p>⚠ WARNING Capacitor voltage may be hazardous. To discharge capacitor, hold insulated handle screwdriver BY THE HANDLE and short capacitor terminals together. Do not touch metal screwdriver blade or capacitor terminals. If in doubt, consult a qualified electrician. DISCONNECT POWER and file contacts with emery board or nail file.</p>
Motor runs hot and overload kicks off	<p>Motor is wired incorrectly Voltage is too low</p> <p>Pump cycles too frequently</p>	<p>Refer to instructions on wiring. Check with power company. Install heavier wiring if wire size is too small (See Electrical / Wiring Chart). See section below on too frequent cycling.</p>
<p>Motor runs but no water is delivered*</p> <p>* (Notice: <i>Stop pump</i>; then check prime before looking for other causes. Unscrew priming plug and see if water is in priming hole).</p>	<p>Pump in new installation did not pick up prime through: 1. Improper priming 2. Air leaks</p> <p>3. Leaking foot valve or check valve</p> <p>Pump has lost prime through: 1. Air leaks 2. Water level below suction pipe inlet</p> <p>Foot valve or strainer is plugged Ejector or impeller is plugged Check valve or foot valve is stuck shut Pipes are frozen Foot valve and/or strainer are buried in sand or mud Water level is too low for shallow well setup to deliver water</p>	<p>In new installation:</p> <ol style="list-style-type: none"> 1. Re-prime according to instructions. 2. Check all connections on suction line, AVC, and ejector with soapy water or shaving cream. 3. Replace foot valve or check valve. <p>In installation already in use:</p> <ol style="list-style-type: none"> 1. Check all connections on suction line and shaft seal. 2. Lower suction line into water and re-prime. If receding water level in well exceeds 25' (7.6M), a deep well pump is needed. <p>Clean foot valve or strainer. Clean ejector or impeller. Replace check valve or foot valve. Thaw pipes. Bury pipes below frost line. Heat pit or pump house. Raise foot valve and/or strainer above bottom of water source. Clean foot valve and strainer. A deep well jet package may be needed (over 25 ft. to water) to deliver water.</p>
Pump does not deliver water to full capacity	<p>Water level in well is lower than estimated Steel piping (if used) is corroded or limed, causing excess friction Piping is too small in size Packed well point</p>	<p>A deep well jet will be needed if your well is more than 25' (7.6M) depth to water. Replace with plastic pipe where possible, otherwise with new steel pipe.</p> <p>Use larger piping. Backflush well point or sink new point.</p>
Pump delivers water but does not shut off or pump cycles too frequently	<p>Pressure switch is out of adjustment or contacts are welded together Faucets have been left open Venturi, nozzle or impeller is clogged Standard pressure tank is waterlogged and has no air cushion Pipes leak Foot valves leak Air charge too low in pre-charged tank</p>	<p>DISCONNECT POWER; adjust or replace pressure switch.</p> <p>Close faucets. Clean venturi, nozzle or impeller. Drain tank to air volume control port. Check AVC for defects. Check all connections for air leaks. Check connections. Replace foot valve. DISCONNECT POWER and open faucets until all pressure is relieved. Using tire pressure gauge, check air pressure in tank at valve stem located on the tank. If less than pressure switch cut-in setting (30-50 PSI), pump air into tank from outside source until air pressure is 2 PSI less than cut-in setting of switch. Check air valve for leaks (use soapy solution) and replace core if necessary.</p>
Air spurts from faucets	<p>Pump is picking up prime Leak in suction side of pump Well is gaseous Intermittent over-pumping of well. (Water drawn down below foot valve.)</p>	<p>When pump has picked up prime, it should pump solid water with no air. Suction pipe is sucking air. Check joints for leaks with soapy water. Consult factory about installing a sleeve in the well Lower foot valve if possible, otherwise restrict pump discharge</p>

LIRE TOUTES CES INSTRUCTIONS ET LES SUIVRE!

⚠ Ce symbole indique qu'il faut être prudent.

Lorsque ce symbole apparaît sur la pompe ou dans cette Notice, rechercher une des mises en garde qui suivent, car elles indiquent un potentiel possible de blessures corporelles :

⚠ DANGER avertit d'un danger **qui causera** des blessures corporelles, la mort ou des dommages matériels importants si on l'ignore.

⚠ AVERTISSEMENT avertit d'un danger **qui risque** de causer des blessures corporelles, la mort ou des dommages matériels importants si on l'ignore.

⚠ ATTENTION avertit d'un danger qui **causera** ou qui **risquera** de causer des blessures corporelles, la mort ou des dommages matériels importants si on l'ignore.

Le mot **NOTA** indique des instructions spéciales et importantes n'ayant aucun rapport avec les dangers.

Lire attentivement toutes les consignes de sécurité contenues dans cette Notice ou collées sur la pompe.

Garder les autocollants de sécurité en bon état; les remplacer s'ils manquent ou s'ils ont été endommagés.

Avertissement lié à la Proposition 65 de la Californie

⚠ AVERTISSEMENT Ce produit et les accessoires connexes contiennent des produits chimiques reconnus dans l'État de la Californie comme pouvant provoquer des cancers, des anomalies congénitales ou d'autres dangers relatifs à la reproduction.

⚠ AVERTISSEMENT



Tension dangereuse. Risque de secousses électriques, de brûlures, voire de mort.

Mettre à la terre la pompe avant de la brancher sur le courant électrique. Couper l'arrivée de courant avant d'intervenir sur la pompe, sur le moteur ou sur le réservoir.

⚠ Câbler le moteur en fonction de la bonne tension. Voir la Section «Électricité» de cette Notice et la plaque signalétique du moteur.

⚠ Mettre à la terre le moteur avant de le brancher sur le courant électrique.

⚠ Conforme au Code national de l'électricité, au Code canadien de l'électricité et aux codes municipaux pour tous les câblages.

⚠ Respecter les instructions de câblage figurant dans cette Notice lorsque l'on branche le moteur sur une ligne haute tension.

SÉCURITÉ CONCERNANT L'ÉLECTRICITÉ

⚠ AVERTISSEMENT La tension du condensateur peut être dangereuse. Pour décharger le condensateur du moteur, tenir un tournevis à manche isolé **PAR LE MANCHE** et mettre en court-circuit les bornes du condensateur. Ne pas toucher la lame métallique du tournevis ni les bornes du condensateur. En cas de doute, consulter un électricien qualifié.

SÉCURITÉ GÉNÉRALE

⚠ ATTENTION Ne pas toucher un moteur qui fonctionne.

Les moteurs modernes sont conçus pour fonctionner par des températures élevées. Pour ne pas se brûler lorsque l'on interviendra sur la pompe, la laisser refroidir pendant 20 minutes après l'avoir arrêtée avant de la toucher.

Ne pas laisser geler la pompe ni aucun autre élément du système, sinon la garantie sera annulée.

Ne pomper que de l'eau avec cette pompe.

Périodiquement, inspecter la pompe et tous les éléments du système.

Toujours porter des lunettes de sécurité lorsque l'on intervient sur une pompe.

Garder la zone de travail propre, non encombrée et bien éclairée; tous les outils et tout l'équipement non utilisés doivent être entreposés correctement.

Ne pas laisser les visiteurs s'approcher de la zone de travail.

⚠ AVERTISSEMENT Le corps de la pompe peut exploser si la pompe est utilisée en tant que pompe de surpression, à moins qu'une soupape de sûreté pouvant laisser passer le débit maximum de la pompe à 75 lb/po² soit posée.

	<h3>⚠ AVERTISSEMENT</h3> <p>Pression dangereuse! Poser une soupape de sûreté sur le tuyau de refoulement.</p> <p>Dissiper toute la pression du système avant d'intervenir sur un élément.</p>
--	---

	Page
Sécurité.....	15
Garantie.....	16
Installation (Pompes de puisage).....	17, 18
Branchement de la tuyauterie de refoulement	19
Système de suppression	20
Électricité.....	21, 22
Préparations avant de démarrer la pompe	23
Pièces de rechange.....	24, 25, 26
Diagnostic des pannes.....	27

Garantie limitée

STA-RITE garantit au consommateur initial (ci-après appelé l'« Acheteur ») que les produits énumérés dans les présentes sont exempts de défaut de matériau et de fabrication pendant la durée des garanties à compter de la durée des garanties indiquées ci-dessous.

Produits	Durée des garanties
Produits de systèmes d'eau — Pompes à éjecteur, petites pompes centrifuges, pompes submersibles et tous les accessoires connexes	<i>Selon le premier terme atteint :</i> 12 mois à compter de la date de la première installation ou 18 mois à compter de la date de fabrication
Réservoirs composites Pro-Source™	5 ans à compter de la date de la première installation
Réservoirs sous pression en acier Pro-Source™	5 ans à compter de la date de la première installation
Réservoirs revêtus d'époxyde Pro-Source™	3 ans à compter de la date de la première installation
Produits de puisard/d'égout/d'effluents	12 mois à compter de la date de la première installation ou 18 mois à compter de la date de fabrication

Nos garanties ne s'appliquent pas aux produits ayant fait l'objet de négligence, d'une mauvaise utilisation, d'une mauvaise installation ou d'un manque d'entretien adéquat. Sans aucune limitation des présentes, la garantie des moteurs triphasés submersibles sera nulle et non avenue si ces moteurs sont branchés et fonctionnent sur le courant monophasé par l'intermédiaire d'un déphaseur. Il faut également noter que les moteurs triphasés doivent être protégés par un relais de surcharge tripolaire thermocompensé à déclenchement extrêmement rapide du calibre recommandé, sinon la garantie sera nulle et non avenue.

Le seul recours de l'Acheteur et la seule responsabilité de STA-RITE consistent à réparer ou à remplacer (au choix de STA-RITE) les produits qui se révéleraient défectueux. L'Acheteur s'engage à payer tous les frais de main d'œuvre et d'expédition du produit couvert par sa garantie et de s'adresser au concessionnaire-installateur ayant procédé à l'installation dès qu'un problème est découvert pour obtenir un service sous garantie. Aucune demande de service en vertu de sa garantie ne sera acceptée après expiration de la durée de sa garantie. Ces garanties ne sont pas transférables.

STA-RITE DÉCLINE TOUTE RESPONSABILITÉ POUR TOUT DOMMAGE INDIRECT OU FORTUIT QUEL QU'IL SOIT.

LA GARANTIE LIMITÉE SUSMENTIONNÉE EST EXCLUSIVE ET REMPLACE TOUTES LES AUTRES GARANTIES EXPRESSES ET TACITES, Y COMPRIS, MAIS SANS S'Y LIMITER, LES GARANTIES DE QUALITÉ MARCHANDE ET D'ADAPTATION À UN USAGE PARTICULIER. LA GARANTIE LIMITÉE SUSMENTIONNÉE NE DOIT PAS ÊTRE PROLONGÉE AU-DELÀ DE LA DURÉE PRÉVUE AUX PRÉSENTES.

Certains états, territoires et certaines provinces ne permettent pas l'exclusion ou la limitation des dommages indirects ou fortuits, ni les limitations relatives à la durée des garanties tacites. Par conséquent, il se peut que les limitations ou les exclusions stipulées dans les présentes ne s'appliquent pas dans ce cas. Ces garanties accordent des droits juridiques précis, bien que l'on puisse bénéficier d'autres droits, selon la province, le territoire ou l'état dans lequel on réside.

La présente garantie limitée est entrée en vigueur le 1er juin 2011 et remplace toute garantie non datée ou antérieure à cette date.

STA-RITE INDUSTRIES

293 Wright Street • Delavan, WI U.S.A. 53115

Tél. : | 888-782-7483 • Télécopieur : | 800 426-9446 • Site Web : sta-rite.com

REPLACEMENT D'UNE ANCIENNE POMPE

⚠ AVERTISSEMENT Tension dangereuse. Couper l'arrivée de courant à la pompe avant d'intervenir sur la pompe ou sur le moteur.

1. Vider toute l'eau de l'ancienne pompe; déposer l'ancienne pompe. Vérifier l'ancienne tuyauterie à la recherche de dépôts de tartre, de chaux, de rouille, etc.; la remplacer selon le besoin.
2. Brancher la pompe sur le système. S'assurer que tous les raccords du tuyau d'aspiration sont bien étanches, aussi bien à l'air qu'à l'eau. *Si le tuyau d'aspiration aspire de l'air, la pompe ne pompera pas l'eau du puits.*
3. Régler la hauteur de montage de la pompe de façon que les raccords de plomberie n'exercent aucune contrainte sur le corps de la pompe. Supporter les tuyaux de façon que le corps de la pompe ne supporte pas le poids de la tuyauterie ni des raccords.

Le branchement de cette pompe à éjecteur neuve pour puits profonds sur la tuyauterie du puits est maintenant terminé. Passer à la page 19 pour le branchement de la tuyauterie de refoulement et sur un réservoir.

INSTALLATION DE LA POINTE FILTRANTE (Figure 1)

1. Enfoncer la pointe dans le sol, en utilisant des «raccords d'enfoncement» et des «chapeaux de battage». Les «raccords d'enfoncement» sont filetés sur toute leur longueur, ce qui permet aux extrémités des tuyaux de venir en butée l'une contre l'autre de façon que la force d'enfoncement du maillet soit absorbée par le tuyau et non pas par les filets. Les raccords ordinaires que l'on trouve dans les quincailleries ne sont pas filetés sur toute leur longueur et ils risquent de s'écraser sous l'impact des coups. Les «raccords d'enfoncement» sont également plus lisses que les raccords de plomberie standard, ce qui leur permet de pénétrer plus facilement dans le sol.

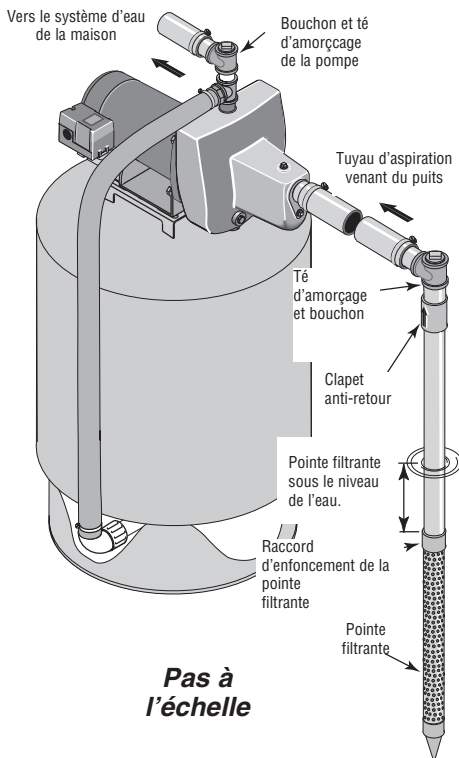


Figure 1 : Installation avec une pointe filtrante

2. Monter la pompe aussi près que possible du puits.
3. Utiliser le moins possible de raccords (en particulier des coudes) lorsque l'on branche la tuyauterie de la pointe filtrante sur l'orifice d'aspiration de la pompe. Le diamètre du tuyau d'aspiration doit être au moins aussi grand que le diamètre de l'orifice d'aspiration de la pompe (y compris le clapet anti-retour si la pompe n'en comporte pas un - voir la Figure 1). Supporter le tuyau de façon qu'il ne soit pas cintré afin qu'il n'exerce pas de contraintes sur le corps de la pompe; de plus, il doit être légèrement incliné vers le haut, du puits jusqu'à la pompe (les points hauts risquent de causer des poches et des bouchons d'air dans la pompe). Rendre étanches les raccords du tuyau d'aspiration avec du ruban d'étanchéité en PTFE pour filetage. Les raccords doivent être étanches à l'air et à l'eau. *Si le tuyau d'aspiration aspire de l'air, la pompe ne pompera pas l'eau du puits.* Si une pointe filtrante ne fournit pas suffisamment d'eau, considérer brancher deux ou trois pointes filtrantes sur un même tuyau d'aspiration.

Le branchement de cette pompe à éjecteur neuve pour puits profonds sur la tuyauterie du puits est maintenant terminé. Passer à la page 19 branchement pour la tuyauterie de refoulement et sur un réservoir.

INSTALLATION SUR UN PUIS À TUBAGE DE 2 POUCHES DE DIAMÈTRE OU PLUS GRAND (voir la Figure 2)

1. Monter la pompe aussi près que possible du puits.
2. Brancher le clapet de pied, la crépine et le tuyau du puits (voir la Figure 2). S'assurer que le clapet de pied fonctionne librement.
3. Abaisser le tuyau dans le puits jusqu'à ce que la crépine soit à cinq pieds du fond du puits. Pour que la pompe n'aspire pas d'air, la crépine doit être au moins à 10 pieds sous le niveau de l'eau du puits pendant que la pompe fonctionne. Poser un joint sanitaire de puits.

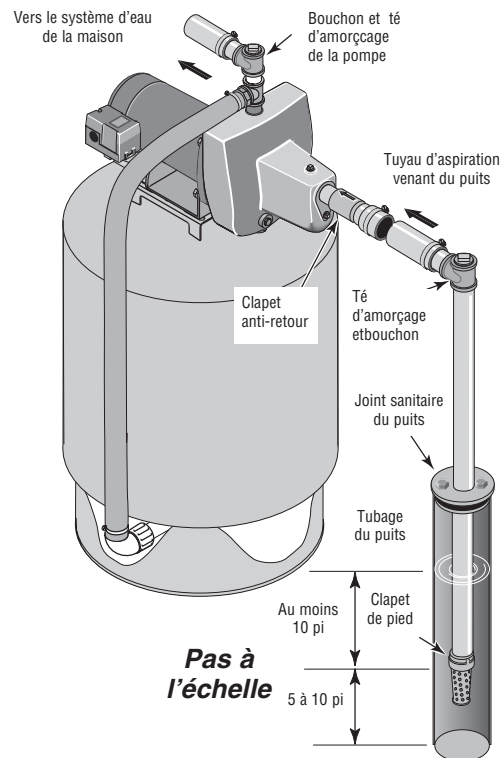


Figure 2 : Installation dans un puits à tubage

- Poser le té d'amorçage, le bouchon d'amorçage et le tuyau d'aspiration sur la pompe (voir la Figure 2). Brancher le tuyau provenant du puits sur l'orifice d'aspiration de la pompe en utilisant le moins possible de raccords - en particulier des coudes - étant donné que les raccords augmentent le frottement de l'eau dans les tuyaux (il faut toutefois ajouter un clapet de pied – voir la Figure 2). Le diamètre du tuyau d'aspiration doit être au moins aussi grand que le diamètre de l'orifice d'aspiration de la pompe. Utiliser du ruban d'étanchéité en PTFE pour filetage sur les raccords filetés. Supporter le tuyau de façon qu'il ne soit pas cintré afin qu'il n'exerce pas de contraintes sur le corps de la pompe; de plus, il doit être légèrement incliné vers le haut, du puits jusqu'à la pompe (les points hauts risquent de causer des poches et des bouchons d'air dans la pompe). Rendre étanches les raccords du tuyau d'aspiration avec du ruban d'étanchéité en PTFE pour filetage. Les raccords doivent être étanches à l'air et à l'eau. *Si le tuyau d'aspiration aspire de l'air, la pompe ne pompera pas l'eau du puits.*

Le branchement de cette pompe à éjecteur neuve pour puits profonds sur la tuyauterie du puits est maintenant terminé. Passer à la page 19 pour le branchement de la tuyauterie de refoulement et sur un réservoir.

INSTALLATION DANS LE CAS D'EAUX EN SURFACE (Figure 3)

- Monter la pompe aussi près que possible du puits en utilisant le moins possible de raccords (en particulier des coudes) sur le tuyau d'aspiration. Le diamètre du tuyau d'aspiration doit être au moins aussi grand que le diamètre de l'orifice d'aspiration de la pompe.

- Assembler le clapet de pied et le tuyau d'aspiration (voir la Figure 3). S'assurer que le clapet de pied fonctionne librement. Utiliser du ruban d'étanchéité en PTFE pour filetage les raccords filetés. Poser une crépine autour du clapet de pied pour le protéger contre les poissons, les déchets, etc. (voir la Figure 3).
- Abaisser le tuyau dans le puits jusqu'à ce que la crépine soit à cinq pieds du fond du puits. Pour que la pompe n'aspire pas d'air, la crépine doit être au moins à 10 pieds sous le niveau de l'eau du puits pendant que la pompe fonctionne.
- Poser le té d'amorçage, le bouchon d'amorçage et le tuyau d'aspiration sur la pompe (voir la Figure 3). Supporter le tuyau de façon qu'il ne soit pas cintré afin qu'il n'exerce pas de contraintes sur le corps de la pompe; de plus, il doit être légèrement incliné vers le haut, du puits jusqu'à la pompe (les points hauts risquent de causer des poches et des bouchons d'air dans la pompe). Rendre étanches les raccords du tuyau d'aspiration avec du ruban d'étanchéité en PTFE pour filetage. Les raccords doivent être étanches à l'air et à l'eau. *Si le tuyau d'aspiration aspire de l'air, la pompe ne pompera pas l'eau du puits.*

Le branchement de cette pompe à éjecteur neuve pour puits profonds sur la tuyauterie du puits est maintenant terminé. Passer à la page 19 pour le branchement de la tuyauterie de refoulement et sur un réservoir.

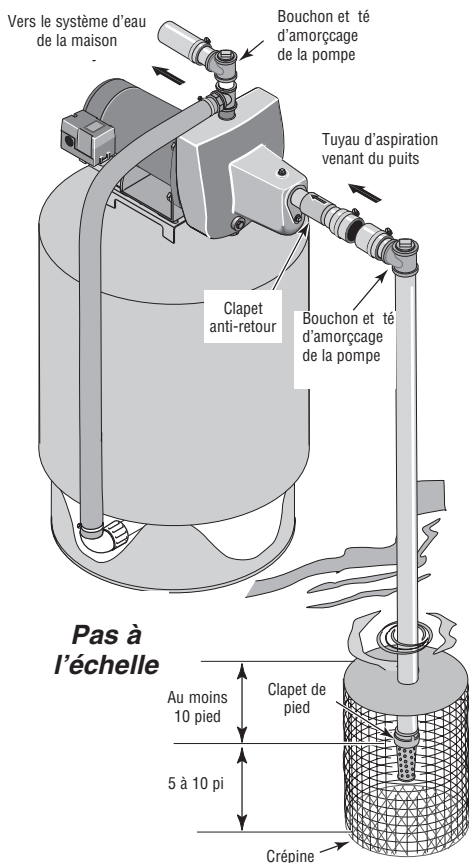


Figure 3 : Installation pour les eaux de surface

BRANCHEMENT SUR UN RÉSERVOIR PRÉCHARGÉ (Figure 4)

1. Poser deux té dans l'orifice de refoulement de la pompe (voir la Figure 4). Le diamètre du tuyau doit être au moins aussi grand que le diamètre de l'orifice de refoulement.
2. Poser un tuyau rigide ou un tuyau souple renforcé entre une des branches du premier té et l'orifice du réservoir préchargé.
3. Brancher l'autre extrémité du té de refoulement sur le système de la plomberie.
4. Vérifier la précharge d'air dans le réservoir avec un manomètre pour pneu. La précharge doit être de 2 lb/po² inférieure au réglage de la pression d'enclenchement du manostat de la pompe. La précharge se mesure lorsqu'il n'y a pas de pression d'eau dans le réservoir. Cette pompe neuve est équipée d'un manostat 30/50 lb/po²; la pression de précharge du réservoir devra donc être réglée à 28 lb/po².

Félicitations! Le branchement de la pompe à éjecteur sur le réservoir est maintenant terminé.

Passer aux page 21 pour les branchements électriques.

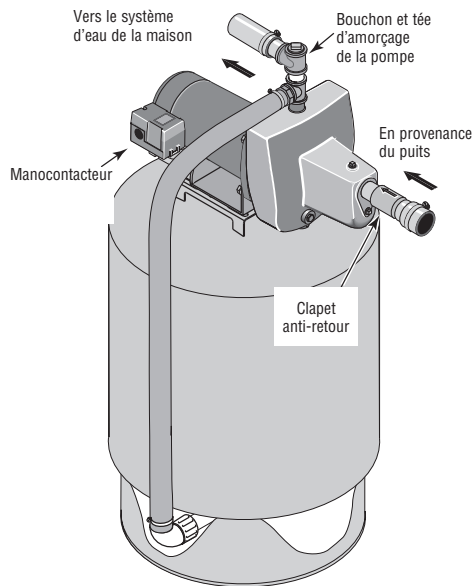


Figure 4 : Branchements sur un réservoir préchargé

BRANCHEMENT SUR UN RÉSERVOIR STANDARD (Figure 5)

(Figure 5)

1. Poser un té dans l'orifice de refoulement de la pompe (voir la Figure 5).
2. Poser un tuyau entre l'orifice de refoulement de la pompe et l'orifice d'admission du réservoir. Le diamètre du tuyau doit être au moins aussi grand que le diamètre de l'orifice de refoulement de la pompe.
3. Déposer le bouchon fileté de 1/8 de pouce NPT de l'orifice du contrôleur d'air de la pompe (voir la Figure 5). Poser un tube entre l'orifice du contrôleur d'air (voir la Figure 5) de la pompe et l'orifice du contrôleur d'air monté sur le réservoir. Pour plus de détails, se reporter aux instructions fournies avec le réservoir et le contrôleur d'air. L'emplacement de l'orifice du contrôleur d'air variera en fonction du modèle de pompe (se reporter aux vues éclatées, page 24).

Félicitations! Le branchement de la pompe à éjecteur sur le réservoir est maintenant terminé.

Passer aux page 21 pour les branchements électriques.

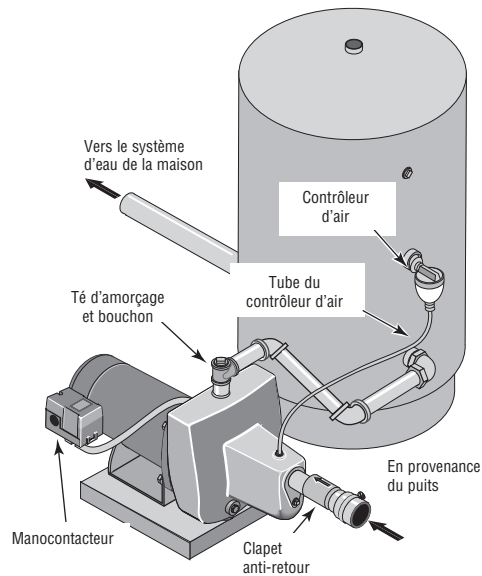


Figure 5 : Branchements sur un réservoir standard

Étanchéité des raccords des tuyaux

N'utiliser que du ruban d'étanchéité en PTFE pour filetage pour procéder à tous les raccords filetés sur la pompe. **Ne pas utiliser de pâte pour raccords filetés sur les pompes en plastique** : cette pâte peut réagir avec les éléments en plastiques de la pompe. S'assurer que tous les raccords du tuyau d'aspiration sont bien étanches, aussi bien à l'air qu'à l'eau. Si le tuyau d'aspiration aspire de l'air, la pompe ne pompera pas l'eau du puits.

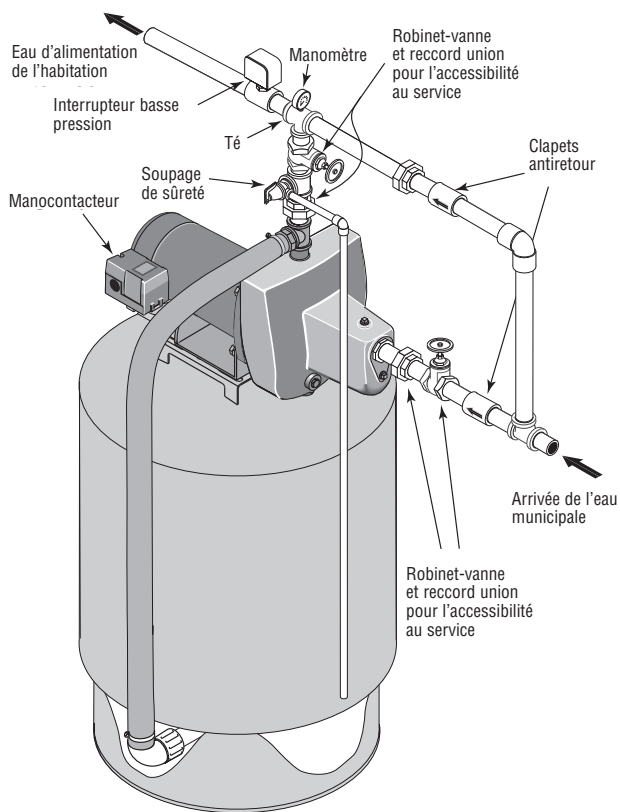


Figure 6: Modèle SNCP42

2882 0198

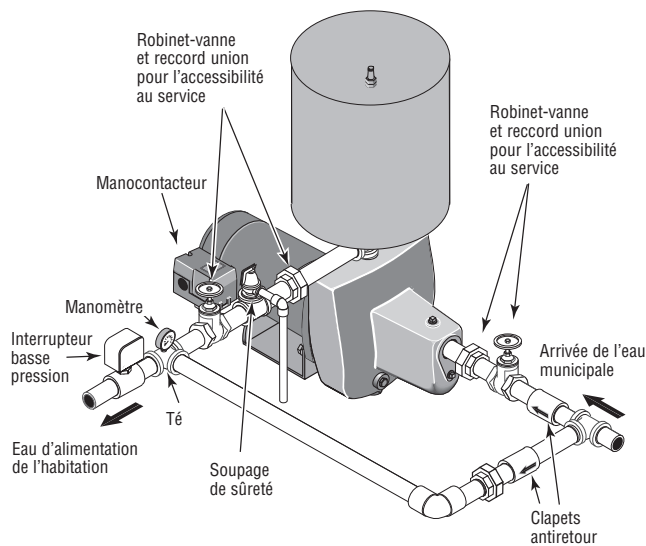


Figure 7: Modèle SNCP15

Éléments fournis par l'utilisateur :

- | | |
|---------------------------------|--------------------|
| Interrupteur basse pression (1) | Manomètre (1) |
| Clapets antiretour (2) | Raccords union (3) |
| Robinet-vannes (2) | Coude (1) |
| Soupape de sûreté (1) | Tés (2) |
| | Tuyauterie |

INSTALLATION

⚠ AVERTISSEMENT Pression dangereuse. Poser une soupape de sûreté comme il est illustré pouvant laisser passer tout le débit de la pompe à une pression de 75 lb/po². Le corps de la pompe peut exploser si les pressions internes dépassent 75 lb/po².

⚠ AVERTISSEMENT Ne jamais faire fonctionner la pompe contre un refoulement fermé, sinon l'eau risque de bouillir à l'intérieur de la pompe, une accumulation dangereuse de pression peut se produire, un danger d'explosion risque de s'ensuivre et les personnes qui manipuleront la pompe pourront peut-être être ébouillantées.

NOTA : Le débit de l'arrivée d'eau doit correspondre ou dépasser le débit minimum de la pompe, c'est-à-dire 6 gallons par minute, sinon la pompe tombera en panne. En règle générale, la pompe n'augmente pas le débit dans le système.

Il est recommandé de poser un interrupteur de sûreté basse pression pour couper le courant parvenant à la pompe en cas de chute de la pression de refoulement causée par une buse bouchée, une interruption de l'arrivée d'eau, etc.

Pour les instructions de réglage de manocapteur, se reporter à l'étiquette collée à l'intérieur du couvercle du manocapteur.

Le système peut être posé à l'intérieur ou à l'extérieur. Il faut toutefois s'assurer que l'emplacement est de niveau, solide, bien drainé et protégé contre les intempéries et le gel.

1. Fermer l'arrivée d'eau de l'habitation.
2. Poser la tuyauterie comme il est illustré (Figures 6 et 7). Ne pas oublier de poser des raccords unions et des robinets d'arrêt de façon à pouvoir déposer le surpresseur pour le réparer sans avoir à interrompre l'alimentation en eau de l'habitation. Il est recommandé de poser un clapet antiretour à ressort avant le système de supression et un interrupteur basse pression après le système de supression (On désirera peut-être aussi remplacer le manocapteur standard par un manocapteur ayant une fonction de coupure basse pression.)
3. Utiliser du ruban d'étanchéité en PTFE pour filetage sur tous les raccords de tuyauterie pour empêcher les fuites.

Se reporter aux pages 21 et 22 pour le branchement électrique.

Tableau I: Réglage du manocapteur des systèmes de supression

Si la pression du système d'arrivée minimum est de :	Utiliser un manocapteur ayant une capacité de :	Régler la précharge du réservoir à :
en dessous de 20 lb/po ²	20/40; régler le déclenchement à 20 lb/po ²	18 lb/po ²
de 20 à 30 lb/po ²	30/50; régler le déclenchement à 30 lb/po ²	28 lb/po ²
de 30 à 40 lb/po ²	40/60; régler le déclenchement à 40 lb/po ²	38 lb/po ²

⚠ Débrancher le courant électrique avant d'intervenir sur la pompe, le moteur, le manostat ou le câblage.

RÉGLAGE DES MOTEURS

Les moteurs bitension (ceux qui fonctionnent sur le courant de 115 ou 230 volts) sont réglés à l'usine pour fonctionner sur le courant de 230 volts. Ne pas modifier ce réglage si la tension du secteur est de 230 volts ou si le moteur est à tension simple.

REMARQUE : Ne jamais brancher un moteur fonctionnant sur le courant de 115 volts sur le courant de 230 volts.

REMARQUE : Câbler les moteurs fermés autoventilés conformément au schéma de câblage de la boîte de jonction du moteur. S'assurer que le moteur est branché conformément à la tension de ligne.

REMARQUE : Câbler les moteurs triphasés conformément au schéma sur le moteur. S'assurer que le moteur est branché sur la bonne tension du secteur.

Déposer le couvercle de moteur

Dans le cas d'un moteur bitension devant être branché sur le courant de 115 volts, procéder comme suit.

Le couvercle du moteur devra être déposé pour régler la tension.

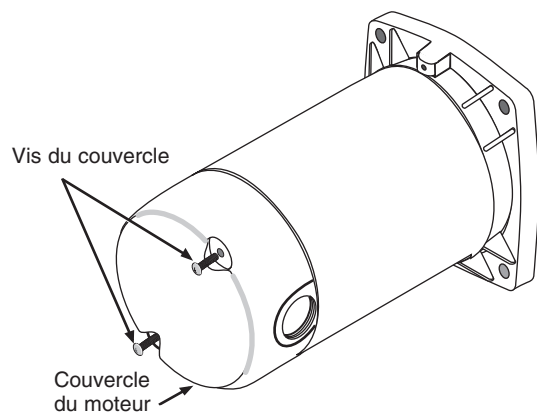


Figure 8 : Dépose du couvercle

La plaquette à bornes du moteur (sous le couvercle du moteur) devrait ressembler à celle ci-contre.

Sélecteur de tension rotatif

Pour faire fonctionner le moteur sur le courant de 115 volts :

1. S'assurer que le courant est coupé.
2. Tourner le sélecteur à gauche jusqu'à ce que « 115 » soit affiché.

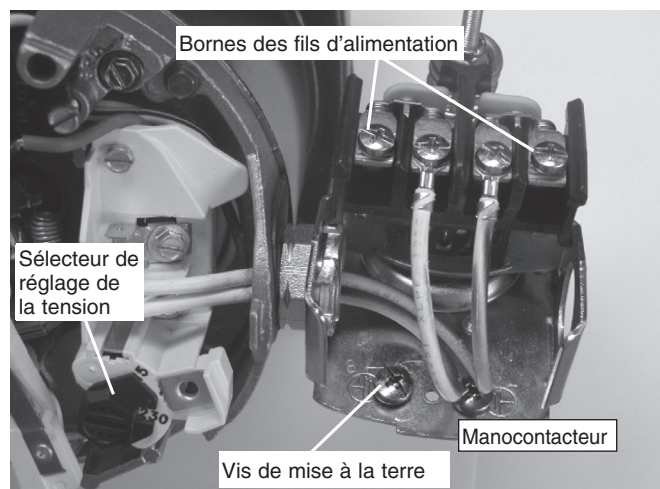


Figure 9 : Sélecteur de tension

3. Brancher les fils sur les deux bornes d'alimentation. S'assurer qu'ils sont fermement retenus en place.
 4. Brancher le fil de mise à la terre sur la vis verte de mise à la terre.
 5. Reposer le couvercle du moteur.
- Passer à la rubrique « Câblage » de la page suivant.

⚠ AVERTISSEMENT Tension dangereuse. Risque de secousses électriques, de brûlures, voire la mort. Brancher le fil de terre avant de brancher les fils de tension. Utiliser des fils de calibre spécifié (y compris le fil de terre) dans le tableau de câblage. Dans la mesure du possible, brancher la pompe sur un circuit séparé, sur lequel aucun autre appareil ne sera branché.

⚠ AVERTISSEMENT Risque d'explosion. Ne pas mettre à la terre sur une conduite de gaz.

CONNEXIONS DES FILS

⚠ AVERTISSEMENT Risque d'incendie. L'utilisation d'une mauvaise tension risque de causer un incendie ou d'endommager gravement le moteur et d'annuler la garantie. La tension d'alimentation doit correspondre à $\pm 10\%$ de la tension figurant sur la plaque signalétique du moteur.

NOTA : Les moteurs bi-tension sont câblés à l'usine pour fonctionner sur le 230 volts. Au besoin, recâbler le moteur pour qu'il fonctionne sur le 115 volts, comme il est illustré. Ne pas modifier le câblage des moteurs fonctionnant sur une tension.

Installer la pompe, la mettre à la terre, la câbler et l'entretenir conformément au National Electrical Code (NEC) ou au Code canadien de l'électricité, selon le cas, et conformément à tous les codes et décrets en vigueur de la municipalité. Consulter l'inspecteur des bâtiments de la localité pour plus de renseignements sur les codes.

Méthodes de connexion :

1. Brancher tout d'abord le fil de mise à la terre, comme il est illustré à la Figure 9. Le fil de mise à la terre doit être un fil de cuivre massif d'un diamètre au moins aussi gros que le diamètre des fils de tension.
2. Il doit y avoir un raccordement en métal solide entre le manostat et le moteur pour une protection à la terre du moteur. Si le manostat n'est pas branché sur le moteur, brancher la vis verte de mise à la terre du manostat sur la vis verte de mise à la terre qui se trouve sous le couvercle du moteur. Utiliser un fil de cuivre massif ayant un diamètre au moins aussi gros que celui des fils de tension.
3. Brancher le fil de mise à la terre sur le fil de mise à la terre du tableau de distribution, sur un tuyau métallique d'eau enterré, sur le tubage d'un puits en métal ayant au moins 10 pieds (3 mètres) de long, ou sur une électrode de mise à la terre que fournira la compagnie d'électricité.
4. Brancher les fils de tension sur le manostat, comme il est illustré à la Figure 9.

TABLEAU DE CÂBLAGE – CÂBLES ET DIAMÈTRES DES FUSIBLES RECOMMANDÉS

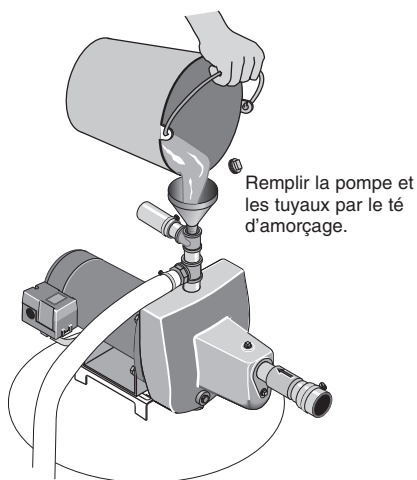
Puissance du moteur en ch	Tension	Charge max. en ampères	Fusible Intensité en ampères	DISTANCE EN PIEDS (EN MÈTRES) ENTRE LE MOTEUR ET LE COURANT D'ALIMENTATION				
				0 - 100 (0 - 30)	101 - 200 (31 - 61)	201 - 300 (62 - 91)	301 - 400 (92 - 122)	401 - 500 (123 - 152)
				DIAMÈTRE DU FIL – CALIBRE AWG (mm ²)				
1/2	115/230	8,8/4,4	15/15	14/14 (2/2)	12/14 (3/2)	10/14 (5.5/2)	8/14 (8.4/2)	8/12 (8,4/3)
3/4	115/230	12,2/6,1	20/15	12/14 (3/2)	10/14 (5,5/2)	8/14 (8,4/2)	6/12 (14/3)	6/12 (14/3)
1	115/230	14,8/7,4	20/15	12/14 (3/2)	8/14 (8,4/2)	6/14 (14/2)	6/12 (14/3)	4/10 (21/5,5)
1 1/2	115/230	19,9/10,0	25/15	10/14 (5,5/2)	8/14 (8,4/2)	6/12 (14/3)	4/10 (21/5,5)	4/10 (21/5,5)

PRÉPARATIONS AVANT DE DÉMARRER LA POMPE

⚠ ATTENTION Ne jamais faire fonctionner la pompe à sec, sinon elle risque de surchauffer, les joints peuvent être endommagés et les personnes qui manipuleront la pompe pourront peut-être être brûlées. Faire le plein d'eau de la pompe avant de la démarrer.

⚠ AVERTISSEMENT Ne jamais faire fonctionner la pompe contre un refoulement fermé, sinon l'eau risque de bouillir à l'intérieur de la pompe, une accumulation dangereuse de pression peut se produire, un danger d'explosion risque de s'ensuivre et les personnes qui manipuleront la pompe pourront peut-être être ébouillantées.

1. Déposer le bouchon de remplissage du té d'amorçage et faire le plein de la pompe. Remplir toutes les tuyauteries branchées entre la pompe et le puits et s'assurer que toutes les tuyauteries du puits sont pleines. Si un té d'amorçage a déjà été posé sur la tuyauterie d'aspiration, déposer le bouchon du té et faire le plein de la tuyauterie d'aspiration.
2. Reposer tous les bouchons de remplissage.
3. **Établir le courant!** Démarrer la pompe. S'il n'y a pas de présence d'eau après 2 ou 3 minutes de fonctionnement, arrêter la pompe et déposer les bouchons de remplissage. Refaire le plein de la pompe et de la tuyauterie. Cette opération devra peut-être être répétée plusieurs fois de façon à chasser tout l'air emprisonné dans la tuyauterie. Il faudra jusqu'à 15 minutes pour qu'une pompe aspirant de l'eau à 25 pieds s'amorce.
4. Après que la pression se sera accumulée dans le système et que la pompe se sera arrêtée, vérifier le fonctionnement du manostat en ouvrant un ou deux robinets du système; laisser couler suffisamment d'eau pour dissiper la pression jusqu'à ce que la pompe redémarre. La pompe doit redémarrer lorsque la pression chute à 30 lb/po² et s'arrêter lorsque la pression atteint 50 lb/po². Faire fonctionner la pompe pendant un ou deux cycles complets pour confirmer son bon fonctionnement. Ceci permettra également de nettoyer le système de toute la saleté et de tout le tartre qui se seront détachés pendant l'installation.

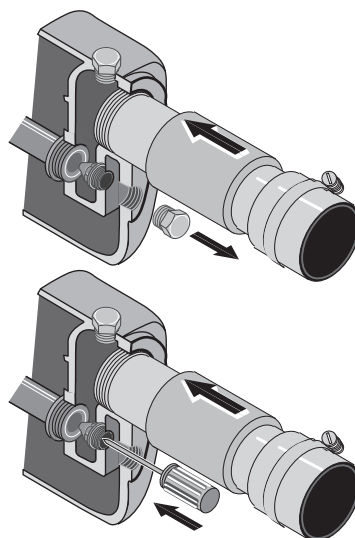


2351 0396

Figure 10 : Amorçage de la pompe

NETTOYAGE DE L'INJECTEUR (BASSE PRESSION)

À l'aide d'un poinçon à glace ou d'une alène plate, nettoyer l'injecteur – diamètre maximal de 3/16 de po (voir la Figure 11). Faire bien attention de **NE PAS** élargir le trou de l'injecteur. Utiliser du ruban d'étanchéité en PTFE pour filetage pour raccords filetés sur le bouchon avant de le reposer.



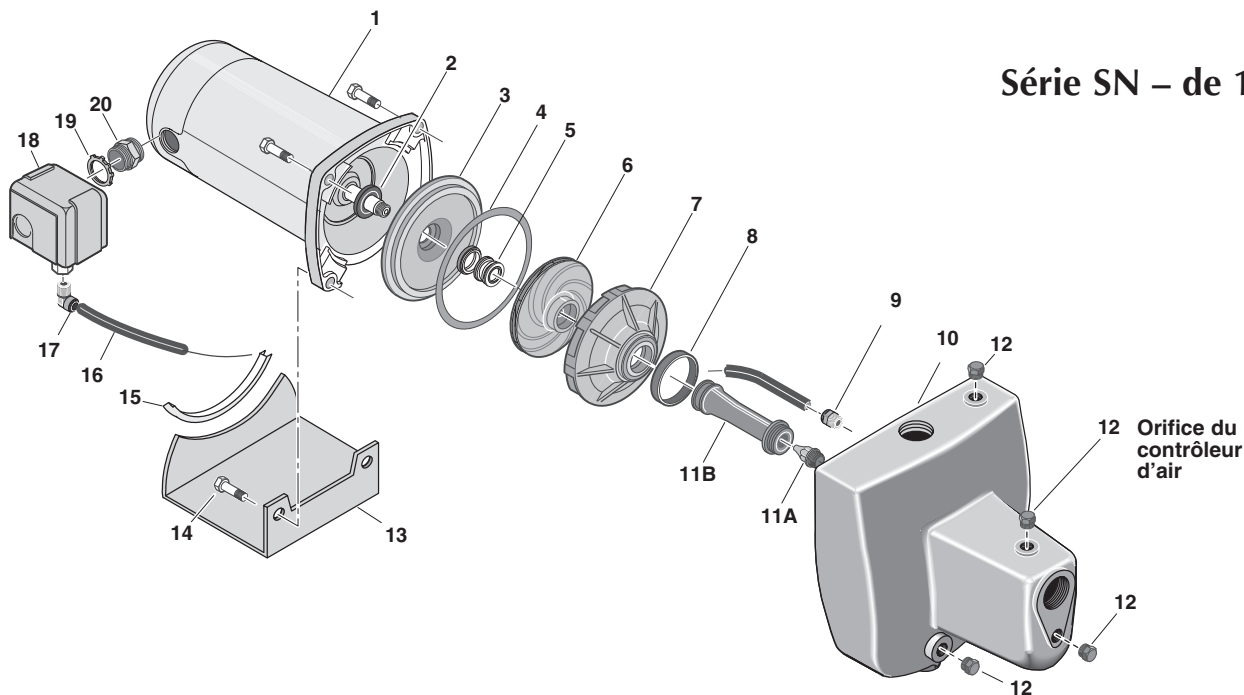
1465 0497

Figure 11 : Utiliser un poinçon à glace ou d'une alène plate pour nettoyer l'injecteur

Félicitations pour une installation réussie.

Si l'installation n'est pas réussie, se reporter à la Section Diagnostic des pannes (à la page 27).

Éclaté
Série SN – de 1/2 ch



LISTE DES PIÈCES DE RECHANGE : Série SN - de 1/2 ch

Réf. n°	Désignation des pièces	Nbre utilisé	Modèle et puissance		
			SNC-L 1/2 ch	SNC-HF25L 1/2 ch	SNC-5L 1/2 ch
1	Moteur	1	J218-582APKG	J218-582APKG	J218-582APKG
#§2	Défecteur d'eau	1	17351-0009	17351-0009	17351-0009
3	Plaque d'étanchéité	1	N3-1043P	N3-1043P	N3-1043P
#§4	Joint de la plaque d'étanchéité	1	N20-35	N20-35	N20-35
#§5	Joint d'arbre	1	U109-6A	U109-6A	U109-6A
#6	Impulseur	1	J105-40P	J105-40P	J105-40P
#7	Diffuseur	1	L1-25P	L1-25P	L1-25P
#§8	Joint du diffuseur	1	N20-34	N20-34	N20-341
9	Branchement rapide - 1/4 de po	1	U11-217P	U11-217P	—
10	Corps de la pompe	1	N176-43	N176-43A	N176-43
11A	Buse	(1)	N34P-17(#43)	N34P-17(#43)	N34P-17(#43)
11B	Venturi	(1)	N32P-66	N32P-67	N32P-66
12	Bouchon fileté - 1/4 de po, à tête hexagonale	(4)	U78-941ZPV(3)	U78-941ZPV(3)	U78-941ZPV
13	Socle	1	J4-9	J4-9	J4-9
14	Vis à chapeau à tête hexagonale de 3/8 de po - 16 x 1-1/4 po de long	4	U30-75ZP	U30-75ZP	U30-75ZP
14	Vis à chapeau à tête hexagonale de 3/8 de po - 16 x 1-1/2 po de long	2	—	—	—
15	Support en caoutchouc	1	C35-5	C35-5	C35-5
16	Tube de 1/4 de po de diamètre extérieur	1	U37-676P	U37-676P	—
17	Coude à branchement rapide - 1/4 de po	1	U11-218P	U11-218P	—
18	Manocontacteur	1	U217-1225	U217-1226	—
19	Écrou de 1/2 po	1	U36-112ZP	U36-112ZP	—
20	Raccord	1	L43-5C	L43-5C	—

§ Font partie du nécessaire de joints et de bagues d'étanchéité.

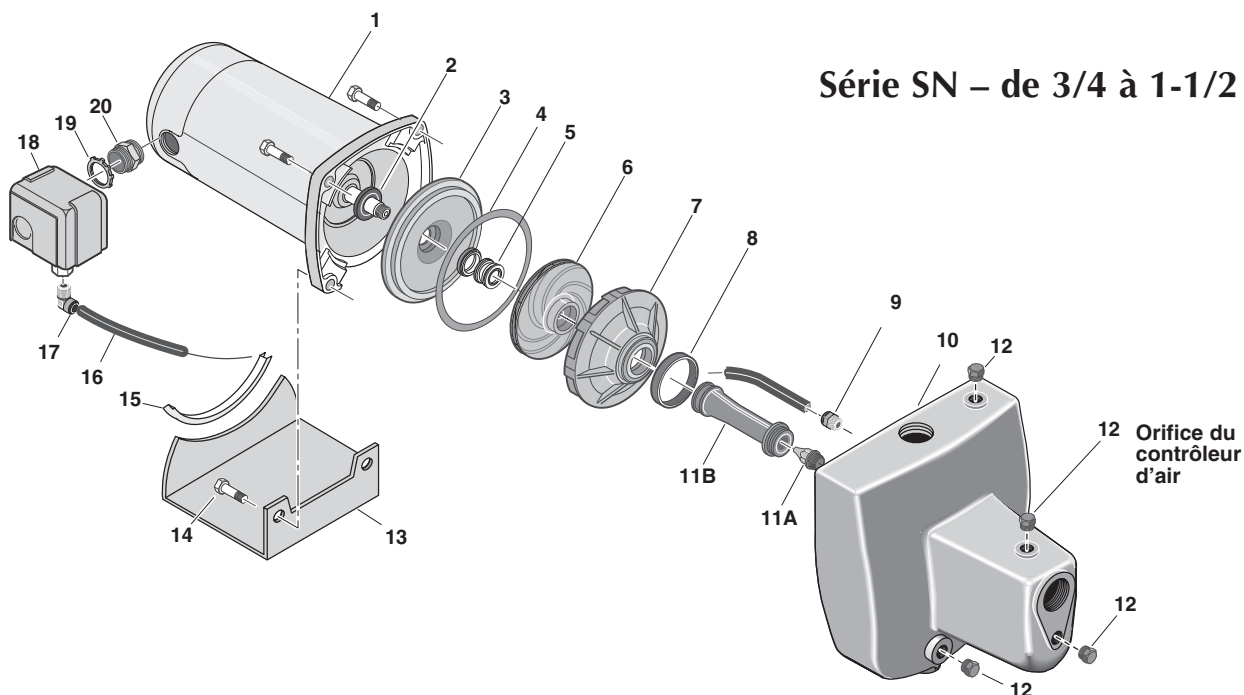
Font partie du nécessaire de révision.

NOTA : À moins d'indication entre (), les quantités sont de une.

NÉCESSAIRES DE RÉPARATION

§ Nécessaire de joints et de bagues d'étanchéité	PP1550	PP1550	PP1550
# Nécessaire de révision	PP1560	PP1560	PP1560

Éclaté
Série SN – de 3/4 à 1-1/2 de ch



LISTE DES PIÈCES DE RECHANGE : Série SN - de 3/4 à 1-1/2 de ch

Réf. n°	Désignation des pièces	Nbre utilisé	Modèle et puissance		
			SND-L 3/4 ch	SNE-L 1 ch	SNF-L 1-1/2 ch
1	Moteur	1	J218-590PKG	J218-596PKG	j218-601PKG
#§2	Déflecteur d'eau	1	17351-0009	17351-0009	17351-0009
3	Plaque d'étanchéité	1	N3-1043P	L3-10	L3-10
#§4	Joint de la plaque d'étanchéité	1	N20-35	C20-21	C20-21
#§5	Joint d'arbre	1	U109-6A	U109-6A	U109-6A
#6	Impulseur	1	J105-42P	J105-8PAN	J105-22PA
#7	Diffuseur	1	L1-25P	L1-23P	L1-23P
•	Vis de diffuseur	3	–	U30-489SS	U30-489SS
•	Rondelle étoile de diffuseur	3	–	U43-21SS	U43-21SS
#§8	Joint du diffuseur	1	N20-34	–	–
9	Branchement rapide - 1/4 de po	1	U11-217P	U11-217P	U11-217P
10	Corps de la pompe	1	N176-43B	N176-44	N176-44A
11A	Buse	(1)	N34P-21(#47)	J34P-44(#54)	J34P-44(#54)
11B	Venturi	(1)	N32P-75	N32P-64	N32P-65
12	Bouchon fileté - 1/4 de po, à tête hexagonale	(4)	U78-941ZPV(3)	U78-941ZPV	U78-941ZPV
13	Socle	1	J4-9	J4-9C	J4-9C
14	Vis à chapeau à tête hexagonale de 3/8 de po - 16 x 1-1/4 po de long	4	U30-75ZP	U30-75ZP(2)	U30-75ZP(2)
14	Vis à chapeau à tête hexagonale de 3/8 de po - 16 x 1-1/2 po de long	2	–	U30-76ZP	U30-76ZP
15	Support en caoutchouc	1	C35-5	C35-5	C35-5
16	Tube de 1/4 de po de diamètre extérieur	1	U37-676P	U37-672P	U37-672P
17	Coude à branchement rapide - 1/4 de po	1	U11-218P	U11-218P	U11-218P
18	Manocontacteur	1	U217-1225	U217-1225	U217-1225
19	Écrou de 1/2 po	1	U36-112ZP	U36-112ZP	U36-112ZP
20	Raccord	1	L43-5C	L43-5C	L43-5C

§ Font partie du nécessaire de joints et de bagues d'étanchéité.

Font partie du nécessaire de révision.

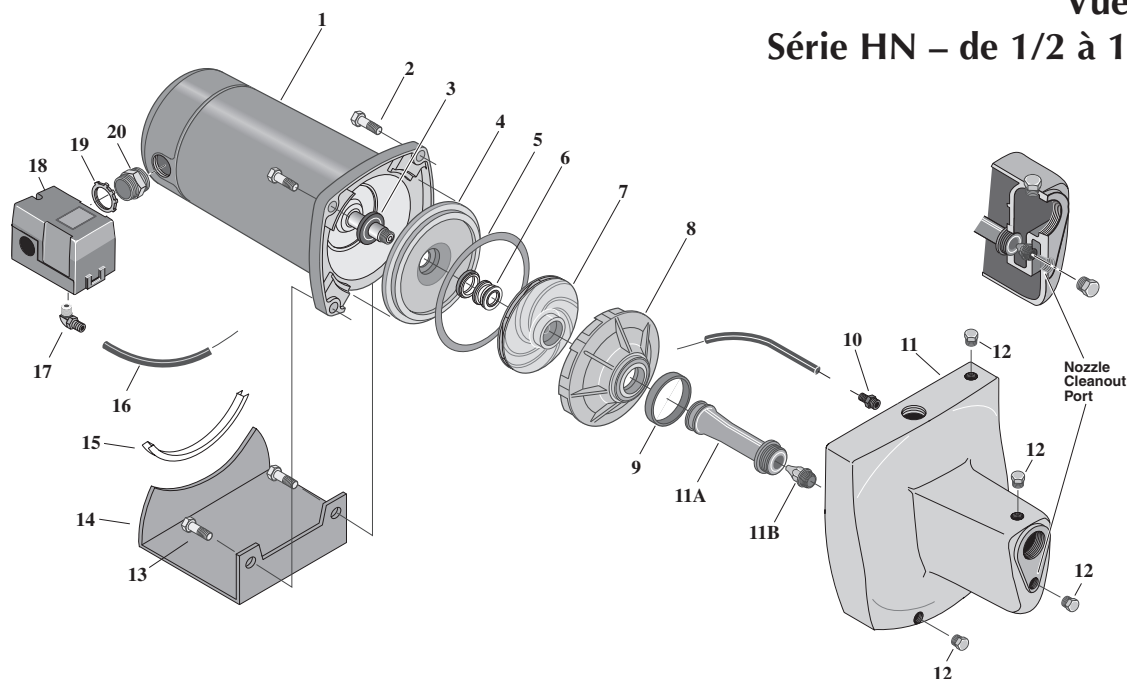
NOTA : À moins d'indication entre (), les quantités sont de une.

• Non illustrée.

NÉCESSAIRES DE RÉPARATION

§ Nécessaire de joints et de bagues d'étanchéité	PP1550	PP1553	PP1564
# Nécessaire de révision	PP1561	PP1563	PP1514

Vue éclatée
Série HN – de 1/2 à 1 1/2 CV



LISTE DES PIÈCES DE RECHANGE : Série HN - de 1/2 à 1-1/2 de ch

Réf. n°	Désignation des pièces	Nbre utilisé	HNC-L 1/2 HP	HNDX 3/4 HP	HND-L 3/4 HP	HNEH 1 HP	HNE-L 1 HP	HNEH 1-1/2 HP
1	Moteur	1	J218-590PKG	J218-590PKG	J218-596PKG	J218-596PKG	J218-601PKG	J218-601PKG
2	Vis à tête hexagonale de 3/8-16x1 1/4 long.	4	U30-75ZP	U30-75ZP	-	-	-	-
2	Vis à tête hexagonale de 3/8-16x1 1/2 long.	2	-	-	U30-76ZP	U30-76ZP	U30-76ZP	U30-76ZP
3	Déflexeur d'eau	1	17351-0009	17351-0009	17351-0009	17351-0009	17351-0009	17351-0009
4	Plaque d'étanchéité	1	N3-1043P	N3-1043P	L3-10	L3-10	L3-10	L3-10
5	Joint de la plaque d'étanchéité	1	N20-35	N20-35	C20-21	C20-21	C20-21	C20-21
6	Joint de l'arbre	1	U109-6A	U109-6A	U109-6A	U109-6A	U109-6A	U109-6A
7	Roue	1	J105-42P	J105-42P	J105-8PAN	J105-8PAN	J105-22PA	J105-22PA
8	Diffuseur à volute	1	L1-25P	L1-25P	L1-23P	L1-23P	L1-23P	L1-23P
9	Joint du diffuseur	1	N20-34	N20-34	N20-34	N20-34	N20-34	N20-34
10	Raccord rapide, 1/4 de po NPT	1	U11-217P	U11-217P	U11-217P	U11-217P	U11-217P	U11-217P
11	Corps de la pompe*	1	N176-43B	N176-43B	N176-44	N176-44	N176-44A	N176-44A
11A	Venturi	1	N32P-75	N32P-75	N32P-64	N32P-64	N32P-65	N32P-65
11B	Injecteur	1	N34P-21 (#47)	N34P-21 (#47)	J34P-44 (#54)	J34P-44 (#54)	J34P-44 (#54)	J34P-44 (#54)
12	Bouchon fileté de 1/4 de po NPT à tête hexagonale	()	U78-941ZPV(3)	U78-941ZPV(3)	U78-941ZPV(4)	U78-941ZPV(4)	U78-941ZPV(4)	U78-941ZPV(4)
13	Vis à tête hexagonale de 3/8-16x1 1/2 po de long.	2	-	-	U30-76ZP	U30-76ZP	U30-76ZP	U30-76ZP
14	Socle	1	J4-9	J4-9	J4-9C	J4-9C	J4-9C	J4-9C
15	Support en caoutchouc	1	C35-5	C35-5	C35-5	C35-5	C35-5	C35-5
16	Tube de 1/4 de po de dia. int. (sa longueur varie)	1	U37-676P	U37-676P	U37-672P	U37-672P	U37-677P	U37-677P
17	Coude de raccord rapide, 1/4 de po NPT	1	U11-218P	U11-218P	U11-218P	U11-218P	U11-218P	U11-218P
18	Pressostat	1	U217-1216	U217-1216	U217-1216	U217-1216	U217-1216	U217-1216
19	Écrou de blocage de 1/2 po	1	U36-112ZPP	U36-112ZPP	U36-112ZPP	U36-112ZPP	U36-112ZPP	U36-112ZPP
20	Raccord	1	L43-5C	L43-5C	L43-5C	L43-5C	L43-5C	L43-5C
	• Vis du diffuseur n° 8-32x3/4 de po	3	-	-	U30-489SS	U30-489SS	U30-489SS	U30-489SS
	• Rondelle-frein n° 8 à dents extérieures du diffuseur	3	-	-	U43-21SS	-	U43-21SS	U43-21SS
	• Bouchon amortisseur de pulsations	1	-	-	-	-	U17-1131	U17-1131

• Pièces non illustrées.

* Trois (3) bouchons filetés sont requis sur les modèles HNC-L et HNDX; 4 sur les autres modèles.

SYMPTÔMES	CAUSES PROBABLES	REMÈDES
Le moteur ne tourne pas	Le sectionneur est ouvert. Le fusible est sauté ou le disjoncteur est déclenché. L'interrupteur de démarrage est défectueux. Les fils côté moteur sont desserrés, débranchés ou mal branchés. Les contacts du manocontacteur sont sales.	S'assurer que le sectionneur est enclenché. Remplacer le fusible ou réenclencher le disjoncteur. COUPER L'ARRIVÉE DE COURANT; remplacer l'interrupteur de démarrage. Se reporter aux instructions sur le câblage (page 21). COUPER L'ARRIVÉE DE COURANT; vérifier tout le câblage et le resserrer. ⚠ AVERTISSEMENT La tension du condensateur peut être dangereuse. Pour décharger le condensateur du moteur, tenir un tournevis à manche isolé PAR LE MANCHE et mettre en court-circuit les bornes du condensateur. Ne pas toucher la lame métallique du tournevis ni les bornes du condensateur. En cas de doutes, consulter un électricien qualifié. COUPER L'ARRIVÉE DE COURANT et nettoyer les contacts avec un morceau de feuille émeri ou une lame à ongles.
Le moteur chauffe et le dispositif de protection contre les surcharges se déclenche.	Le moteur est mal branché. La tension est trop faible. La pompe se met en marche trop fréquemment.	Se reporter aux instructions concernant le câblage. S'adresser à la compagnie d'électricité. Poser un câblage plus gros si le diamètre des fils est trop petit (voir Électricité/Tableau de câblage). Voir la section ci-dessous en cas de démarrages trop fréquents.
Le moteur fonctionne mais l'eau n'est pas pompée* * (Nota : Arrêter la pompe; puis vérifier l'amorçage avant de rechercher toute autre cause. Dévisser le bouchon d'amorçage et voir si le trou d'amorçage contient de l'eau.)	Dans une installation nouvelle, la pompe ne s'est pas amorcée à cause : 1. d'un mauvais amorçage; 2. de prises d'air; 3. de fuites du clapet anti-retour ou du clapet de pied. La pompe s'est désamorcée : 1. à cause de prises d'air; 2. parce que le niveau d'eau est plus bas que la prise d'eau du tuyau d'aspiration. Le clapet de pied ou la crépine sont bouchés. L'éjecteur ou l'impulseur sont bouchés. S'assurer que le clapet anti-retour ou que le clapet de pied ne sont pas grippés en position fermée. Les tuyauteries sont gelées. Le clapet de pied et/ou la trémie sont enfouis dans le sable ou la boue. Le niveau de l'eau est trop bas pour que le puits peu profond débite de l'eau.	Dans le cas d'une installation neuve : 1. Réamorcer la pompe conformément aux instructions. 2. Vérifier tous les raccords de la conduite d'aspiration, le contrôleur d'air et l'éjecteur. 3. Remplacer le clapet de pied ou le clapet anti-retour. Dans le cas d'une installation déjà en utilisation : 1. Vérifier tous les raccords de la conduite d'aspiration et le joint de l'arbre. 2. Abaisser la conduite d'aspiration dans l'eau et réamorcer la pompe. Si, dans le puits, l'abaissement du niveau d'eau dépasse la hauteur géométrique d'aspiration, il faudra utiliser une pompe pour puits profond. Nettoyer le clapet de pied ou la crépine. Nettoyer l'éjecteur ou l'impulseur. Remplacer le clapet anti-retour ou le clapet de pied. Dégeler les tuyauteries. Enterrer les tuyauteries sous la limite de gel. Chauffer la fosse ou le bâtiment où se trouve la pompe. Relever le clapet de pied et/ou la trémie plus haut que la source d'eau. Nettoyer le clapet de pied et la trémie. Un éjecteur pour puits peu profond est peut-être requis (plus de 25 mètres jusqu'à l'eau) pour obtenir un débit d'eau.
La pompe ne pompe pas l'eau à pleine capacité.	Le niveau de l'eau du puits est plus bas que celui estimé. La tuyauterie en acier (le cas échéant) est corrodée ou bouchée par la chaux, ce qui cause un frottement excessif. Le diamètre de la tuyauterie est trop petit. Pointe filtrante bouchée.	Un éjecteur pour puits peu profond est peut-être requis (plus de 7,6 mètres (25 pieds) jusqu'à l'eau) pour obtenir un débit d'eau. Dans la mesure du possible, remplacer le tuyau par un tuyau en plastique, sinon poser un tuyau en acier neuf. Utiliser une tuyauterie de plus grand diamètre. Laver à contre-courant la pointe filtrante ou la remplacer par une neuve.
La pompe pompe l'eau mais ne s'arrête pas ou bien elle fonctionne trop fréquemment.	Le manocontacteur est déréglé ou bien ses contacts sont soudés ensemble. Les robinets sont restés ouverts. Le venturi, la buse ou l'impulseur sont bouchés. Le niveau d'eau du puits profond est inférieur au niveau estimé. Le réservoir sous pression standard est saturé d'eau et n'a plus de coussin d'air. Fuite des tuyaux. Fuite du clapet de pied. La charge d'air du réservoir préchargé est trop basse.	COUPER L'ARRIVÉE DE COURANT; régler le manocontacteur ou le remplacer. Les fermer. Nettoyer le venturi, la buse ou l'impulseur. Remplacer la buse et le venturi par la bonne combinaison en fonction du puits. Vider le réservoir jusqu'à l'orifice du contrôleur d'air. S'assurer que le contrôleur d'air ne montre pas de défauts. S'assurer qu'il n'y a pas de prises d'air à aucun raccord. Vérifier les raccords. Remplacer le clapet de pied. COUPER L'ARRIVÉE DE COURANT et ouvrir les robinets jusqu'à ce que toute la pression soit dissipée. À l'aide d'un manomètre de pneu, vérifier la pression d'air dans le réservoir par la tige de la valve qui se trouve sur le réservoir. Si la pression est inférieure au réglage de déclenchement du manocontacteur (30 à 50 lb/po ²), pomper de l'air dans le réservoir à partir d'une source extérieure jusqu'à ce que la pression d'air soit de 2 lb/po ² inférieure au réglage de déclenchement du manocontacteur. S'assurer que la valve ne fuit pas (utiliser une solution savonneuse pour cela) et, au besoin, remplacer l'obus de la valve.
L'air jaillit des robinets.	La pompe s'amorce. Fuite du côté aspiration de la pompe. Le puits est gazeux. Surpompage intermittent du puits. (L'eau est pompée plus bas que le clapet de pied.)	Lorsque la pompe s'amorcera, tout l'air sera éjecté. Le tuyau d'aspiration aspire de l'air. Vérifier tous les raccords à la recherche de fuite avec de l'eau savonneuse. S'adresser à l'usine concernant l'installation d'un manchon dans le puits. Dans la mesure du possible, abaisser le clapet de pied, sinon limiter le refoulement de la pompe.

LEA Y SIGA LAS INSTRUCCIONES DE SEGURIDAD!

⚠ Este es el símbolo de alerta de seguridad. Cuando usted vea este símbolo en su bomba o en este manual, busque alguna de las siguientes palabras de advertencia y esté alerta a la posibilidad de una herida personal:

⚠ PELIGRO advierte acerca de los peligros que **ocasionarán** lesiones personales serias, la muerte o un daño severo a la propiedad si se ignoran dichos peligros.

⚠ ADVERTENCIA advierte acerca de los peligros que **pueden** ocasionar lesiones personales serias, la muerte o un daño severo a la propiedad si se ignoran dichos peligros.

⚠ PRECAUCIÓN advierte acerca de los peligros que **ocasionarán** o **podrán** ocasionar lesiones personales menores o daños a la propiedad si se ignoran dichos peligros.

La etiqueta **AVISO** indica instrucciones especiales que son importantes pero no relacionados a los peligros.

Lea y siga cuidadosamente todas las instrucciones de seguridad en este manual y en la bomba.

Mantenga las etiquetas de seguridad en buenas condiciones.

Reemplace las etiquetas de seguridad faltantes o dañadas.

Advertencia de la Proposición 65 de California

⚠ ADVERTENCIA Este producto y accesorios relacionados contienen sustancias químicas reconocidas en el Estado de California como causantes de cáncer, malformaciones congénitas y otros daños al sistema reproductivo.

SEGURIDAD ELECTRICA

⚠ ADVERTENCIA El voltaje del capacitor puede ser peligroso. Para descargar el capacitor del motor, tome un desatornillador con mango aislado **POR EL MANGO** y ponga en corto las terminales del capacitor. No toque la superficie de metal del desatornillador ni las terminales del capacitor. Si tiene alguna duda, consulte a un electricista calificado.

SEGURIDAD GENERAL

⚠ PRECAUCIÓN No toque un motor en operación. Los motores modernos están diseñados para operar a temperaturas altas. Para evitar quemaduras al realizar el servicio a una bomba, déjela enfriar por 20 minutos después de apagarla.

No permita que la bomba o cualquier componente del sistema se congele. Hacerlo invalidará la garantía.

Utilice esta bomba sólo para agua.

Inspeccione la bomba y los componentes del sistema periódicamente.

Utilice gafas de seguridad durante todo el tiempo mientras trabaje en la bomba.

El área de trabajo se debe mantener limpia, ordenada y con iluminación adecuada; guarde las herramientas y el equipo que no utilice en el lugar apropiado.

Mantenga a los visitantes a una distancia segura de las áreas de trabajo.

⚠ ADVERTENCIA El cuerpo de la bomba puede explotar si se utiliza como una bomba propulsora a menos que se instale una válvula de alivio que sea capaz de pasar todo el flujo de la bomba a 75 psi.

⚠ ADVERTENCIA



Voltaje peligroso. Puede ocasionar conmoción, quemaduras e incluso la muerte.

Conecte la bomba a tierra antes de conectarla a la alimentación eléctrica. Desconecte la alimentación de energía antes de trabajar en la bomba, el motor o el tanque.

- ⚠** Conecte el motor al voltaje correcto. Vea la sección "Electricidad" en este manual y la placa del motor.
- ⚠** Conecte el motor a tierra antes de conectarlo a la alimentación de energía.
- ⚠** Cumpla con las indicaciones del Código Nacional Eléctrico, el de Canadá y los códigos locales para toda la conexión eléctrica.
- ⚠** Siga las instrucciones de conexión eléctrica en este manual al conectar el motor a las líneas de energía eléctrica.

⚠ ADVERTENCIA



Presión peligrosa!

Instale una válvula de alivio de presión en la tubería de descarga.

Libere toda la presión en el sistema antes de trabajar en alguno de los componentes.

	Página
Seguridad General	28
Garantía.....	29
Instalación (Bombas para pozos)	30, 31
Conexión del Bombeo de descarga	32
Sistema de refuerzo de presión	33
Electricidad.....	34, 35
Preparación para Encender la Bomba.....	36
Refacciones	37-39
Solución de Problemas	40

Garantía limitada

STA-RITE le garantiza al comprador/consumidor original (“Comprador” o “Usted”) de los productos enumerados abajo, que estos estarán libres de defectos en material y mano de obra durante el Período de garantía indicado a continuación.

Producto	Período de garantía
Productos de sistemas de agua — bombas de chorro, pequeñas bombas centrífugas, bombas sumergibles inicial, o y accesorios asociados	<i>lo que ocurra primero:</i> 12 meses desde la fecha de la instalación, o 18 meses desde la fecha de fabricación
Tanques de compuesto Pro-Source™	5 años desde la fecha de la instalación inicial
Tanques a presión de acero Pro-Source™	5 años desde la fecha de la instalación inicial
Tanques con revestimiento epoxídico Pro-Source™	3 años desde la fecha de la instalación inicial
Productos para sumideros/aguas residuales/efluente	12 meses desde la fecha de la instalación inicial, o 18 meses desde la fecha de fabricación

Nuestra garantía no se aplicará a ningún producto que, a nuestro sólo juicio, haya sido sometido a negligencia, mal uso, instalación inadecuada o mal mantenimiento. Sin perjuicio a lo que antecede, la garantía quedará anulada en el caso en que un motor trifásico se haya usado con una fuente de alimentación monofásica, a través de un convertidor de fase. Es importante indicar que los motores trifásicos deben estar protegidos por relés de sobrecarga de disparo extra-rápido, con compensación ambiental de tres etapas, del tamaño recomendado, de lo contrario, la garantía quedará anulada.

Su único recurso, y la única obligación de STA-RITE es que STA-RITE repare o reemplace los productos defectuosos (a juicio de STA-RITE). Usted deberá pagar todos los cargos de mano de obra y de envío asociados con esta garantía y deberá solicitar el servicio bajo garantía a través del concesionario instalador tan pronto como se descubra un problema. No se aceptará ninguna solicitud de servicio bajo garantía que se reciba después del vencimiento del Período de Garantía. Esta garantía no se puede transferir.

STA-RITE NO SE HARÁ RESPONSABLE DE NINGÚN DAÑO CONSECUENTE, INCIDENTAL O CONTINGENTE.

LAS GARANTÍAS LIMITADAS QUE ANTECEDEN SON EXCLUSIVAS Y EN LUGAR DE TODA OTRA GARANTÍA EXPLÍCITA E IMPLÍCITA, INCLUYENDO, PERO SIN LIMITARSE A LAS GARANTÍAS IMPLÍCITAS DE COMERCIABILIDAD E IDONEIDAD PARA UN FIN ESPECÍFICO. LAS GARANTÍAS LIMITADAS QUE ANTECEDEN NO SE EXTENDERÁN MÁS ALLÁ DEL PERÍODO DE DURACIÓN INDICADO EN LA PRESENTE.

Algunos estados no permiten la exclusión o limitación de daños incidentales o consecuentes o de limitaciones de tiempo sobre garantías implícitas, de modo que es posible que las limitaciones o exclusiones que preceden no correspondan en su caso. Esta garantía le otorga derechos legales específicos y es posible que usted también tenga otros derechos que pueden variar de un estado al otro.

Esta Garantía Limitada entra en vigor el 1 de junio de 2011 y sustituye toda garantía sin fecha o garantía con fecha anterior al 1 de junio de 2011.

STA-RITE INDUSTRIES

293 Wright Street • Delavan, WI U.S.A. 53115

Teléfono: 1-888-782-7483 • Fax: 1-800-426-9446 • Sitio Web: sta-rite.com

REEMPLAZO DE UNA BOMBA VIEJA

⚠ ADVERTENCIA Voltaje peligroso. Desconecte la energía de la bomba antes de trabajar con la bomba o el motor.

1. Drene y quite la bomba vieja. Revise la tubería vieja por si estuviera oxidada, tuviera cal o moho, etc., y reemplácela si es necesario.
2. Instale la bomba en el sistema. Asegúrese de que todas las uniones de los tubos en la tubería de succión están unidas herméticamente y son impermeables al agua. *Si la tubería de succión puede succionar aire, la bomba no podrá jalar agua del pozo.*
3. Ajuste la altura de montaje de la bomba de modo que las conexiones de plomería no ocasionen un esfuerzo de deformación sobre el cuerpo de la bomba. Dele el soporte adecuado a los tubos de modo que el cuerpo de la bomba no reciba todo el peso de la tubería o los herrajes.

Usted acaba de terminar las conexiones de plomería del pozo de su nueva bomba tipo "jet" para pozo poco profundo. Consulte la Página 32 para realizar las conexiones del tanque y de la tubería de descarga.

INSTALACION DEL PUNTO DEL POZO (PUNTO DE HINCAR) (Figura 1)

1. Hínque el pozo utilizando "manguitos de tubería de hincar" y una "caperuza para la hinca". Las "conexiones de perforar" están roscadas a todo lo largo y permiten que los extremos de la tubería empalmen para que la fuerza de perforación del mazo sea soportada por la tubería y no por el enroscado. Las conexiones ordinarias que se encuentran en las tlapalerías no están roscadas a todo lo largo y se pueden colapsar por el impacto. Las "conexiones de hincado" también son más suaves que las conexiones de plomería comunes, y esto facilita la penetración en el suelo.
2. Monte la bomba tan cerca del pozo como sea posible.
3. Utilice el menor número de conexiones posible (especialmente codos) al conectar la tubería desde el punto del

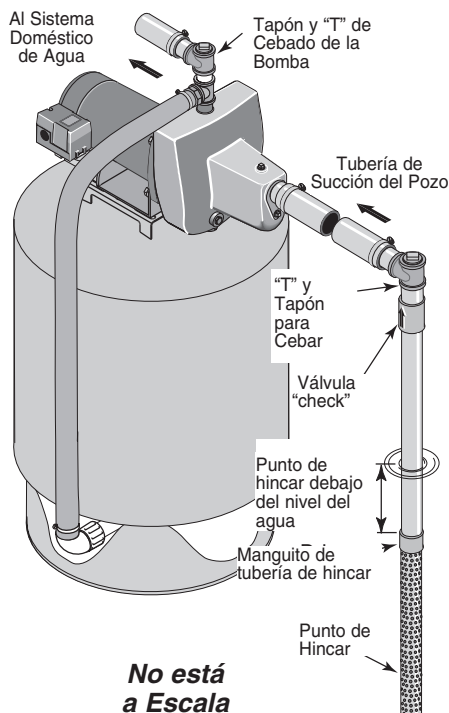


Figura 1: Instalación del Punto de Hincar

pozo al orificio de succión de la bomba. La tubería de succión debe ser por lo menos del mismo tamaño que el orificio de succión en la bomba (incluya una válvula "check" si su equipo no está equipado con una) - Vea la Figura 1. Soporte la tubería para que no haya inclinaciones verticales o hundimientos en ella a fin de que no se ejerza tensión sobre el cuerpo de la bomba y con el propósito de que no se incline ligeramente hacia arriba desde el pozo hacia la bomba (los puntos altos pueden ocasionar que se formen bolsas de aire que pueden bloquear la bomba). Selle las juntas de la tubería de succión con cinta sellante de PTFE para roscas de tubería especial para las juntas de las tuberías. Las juntas deben de ser a prueba de agua y estar herméticamente cerradas. Si la tubería de succión pudiera succionar aire, la bomba no podría sacar agua del pozo. Si un punto de pozo no proporciona suficiente agua, considere la posibilidad de conectar dos o tres puntos de pozo a una tubería de succión.

Usted acaba de realizar la conexión de tubería de succión para su nueva bomba tipo "jet" para pozo poco profundo. Por favor pase a la Página 32 para realizar las conexiones del tanque y de la tubería de descarga.

INSTALACION DE POZO RECUBIERTO CON UN RECUBRIMIENTO DE 2" O MAS (Figura 2)

1. Monte la bomba tan cerca del pozo como sea posible.
2. Instale la válvula de retención, el filtro y la tubería del pozo (vea la Figura 2). Asegúrese de que la válvula de retención funcione libremente.
3. Baje la tubería hacia el pozo hasta que el filtro se encuentre a cinco pies sobre el fondo del pozo. También debe estar a por lo menos 10 pies debajo del nivel del agua del pozo cuando la bomba esté funcionando a fin de evitar que la bomba succione aire. Instale un sello sanitario para pozo.
4. Instale una "T" para cebado, tapón para cebado y la tubería de succión a la bomba (vea la Figura 2). Conecte la tubería del

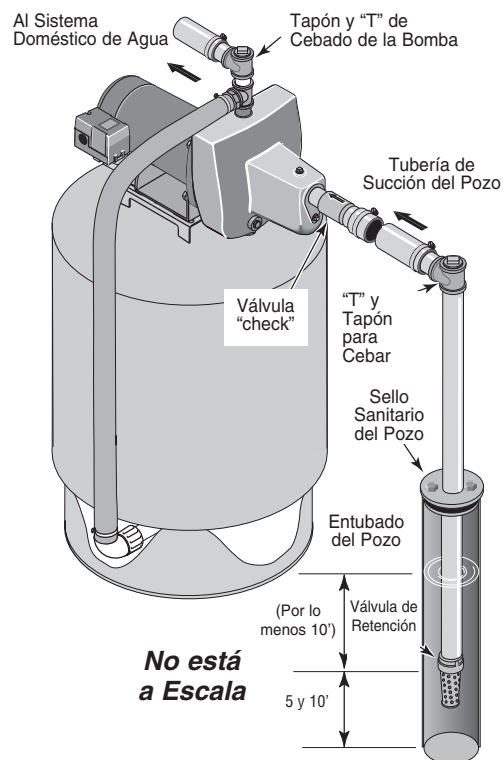


Figura 2: Instalación para pozo recubierto

pozo al orificio de succión de la bomba; utilice el menor número de conexiones posible – especialmente codos – ya que las conexiones incrementan la fricción de la tubería, pero incluya una válvula de aspiración – vea la Figura 2. La tubería de succión debe ser por lo menos del mismo tamaño que el orificio de succión de la bomba. Utilice cinta sellante de PTFE para roscas de tubería para juntas de tubería. Soporte la tubería para que no haya inclinaciones verticales o hundimientos en ella a fin de que no ejerza tensión sobre el cuerpo de la bomba y con el propósito de que no se incline ligeramente hacia arriba desde el pozo hacia la bomba (los puntos altos pueden ocasionar que se formen bolsas de aire que pueden bloquear la bomba). Selle las juntas de la tubería de succión con cinta sellante de PTFE para roscas de tubería para juntas de tuberías. Las juntas deben ser a prueba de agua o estar herméticamente cerradas. *Si la tubería de succión pudiera succionar aire, la bomba no podrá sacar agua del pozo.*

Usted acaba de realizar la conexión de tubería de succión para su nueva bomba tipo “jet” para pozo poco profundo. Por favor pase a la Página 32 para realizar las conexiones del tanque y de la tubería de descarga.

INSTALACION PARA AGUA SUPERFICIAL (Figura 3)

1. La bomba se debe instalar lo más cerca del agua que sea posible, con el menor número posible de conexiones (especialmente codos) en la tubería de succión. La tubería de succión debe ser por lo menos del mismo tamaño que el orificio de succión de la bomba.

2. Instale una válvula de retención y la tubería de succión (vea la Figura 3). Asegúrese de que la válvula de retención funcione libremente. Utilice cinta sellante de PTFE para roscas de tubería para juntas de tuberías den las juntas roscadas de la tubería. Proteja la conexión de la válvula de retención de peces, basura, etc., con la instalación de una malla de alambre a su alrededor (Vea la Figura 3).
3. Baje la tubería hacia el agua hasta que el filtro se encuentre a cinco pies sobre el fondo. También debe estar a por lo menos 10 pies debajo del nivel del agua a fin de evitar que la bomba succione aire.
4. Instale una “T” para cebar, tapón para cebar y la tubería de succión a la bomba (vea la Figura 3). Soporte la tubería para que no haya inclinaciones verticales o hundimientos en ella a fin de que no ejerza tensión sobre el cuerpo de la bomba y con el propósito de que no se incline ligeramente hacia arriba desde el pozo hacia la bomba (los puntos altos pueden ocasionar que se formen bolsas de aire que pueden bloquear la bomba). Selle las juntas de la tubería de succión con cinta sellante de PTFE para roscas de tubería para juntas de tuberías. Las juntas deben ser a prueba de agua o estar herméticamente cerradas. *Si la tubería de succión pudiera succionar aire, la bomba no podrá sacar agua del pozo.*

Usted acaba de realizar la conexión de tubería de succión para su nueva bomba tipo “jet” para pozo poco profundo. por favor pase a la Página 32 para realizar las conexiones del tanque y de la tubería de descarga.

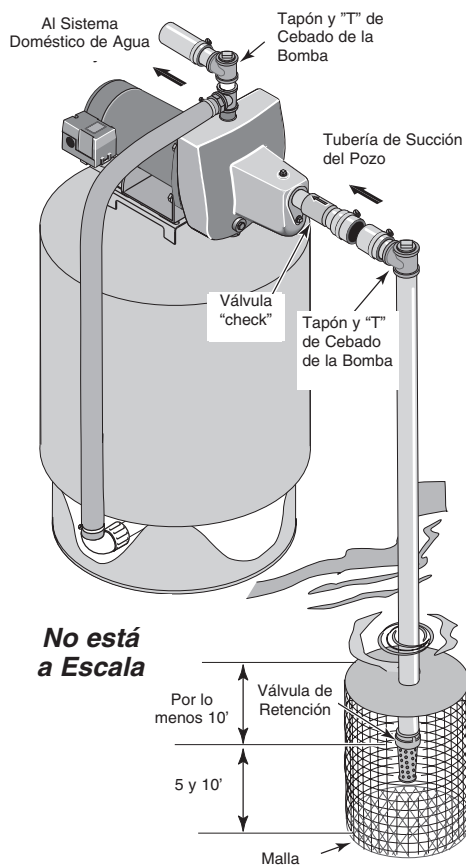


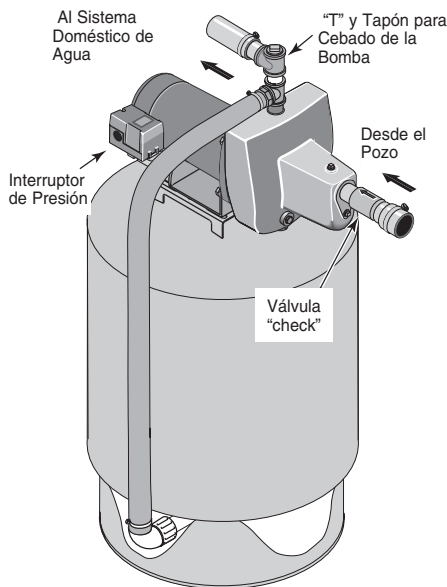
Figura 3: Instalación para agua superficial

CONEXIÓN PARA TANQUE PRE-CARGADO (Figura 4)

1. Instale dos "T"s en el puerto de descarga de la bomba (Vea la figura 4). El tamaño del puerto de la bomba debe de ser por lo menos tan grande como el puerto de descarga.
2. Instale un tubo o una manguera reforzada desde un brazo de la primera "T" al puerto en el tanque pre-cargado.
3. Conecte el otro extremo de la "T" de descarga a su instalación de tuberías.
4. Verifique la pre-carga de aire en el tanque con un medidor ordinario de aire para neumáticos. La pre-carga debe ser de 2 PSI menos que el ajuste de cierre del interruptor de presión de la bomba. La pre-carga se mide *cuando no haya presión de agua en el tanque*. Su nueva bomba tiene un interruptor de 30/50 PSI, por lo tanto ajuste la presión de pre-carga del tanque a 28 PSI.

¡Felicidades! Usted acaba de realizar la conexión del tanque para su bomba tipo "jet".

Por favor pase a las página 34 donde se encuentra la sección sobre la conexión eléctrica.



2349 0396

Figura 4: Conexiones del Tanque Pre-cargado

CONEXIÓN PARA TANQUE ESTÁNDAR (Figura 5)

1. Instale una "T" en el puerto de descarga de la bomba (Figura 5).
2. Ponga una bomba desde el puerto de descarga al puerto de entrada de su tanque. El tamaño del tubo debe ser por lo menos tan grande como el puerto de descarga.
3. Retire el tapón de la tubería de 1/8" de NPT del orificio del Control de Volumen de Aire (CVA) de la bomba (Vea la Figura 5). Instale una tubería desde el puerto de CVA (Vea la Figura 5) de la bomba hacia el puerto en el CVA montado en el tanque. Vea las instrucciones incluidas con el tanque y en el CVA, para tener más detalles.

Felicidades! Usted acaba de realizar la conexión del tanque para su bomba tipo "jet".

Por favor pase a las página 34 para saber acerca de la conexión eléctrica.

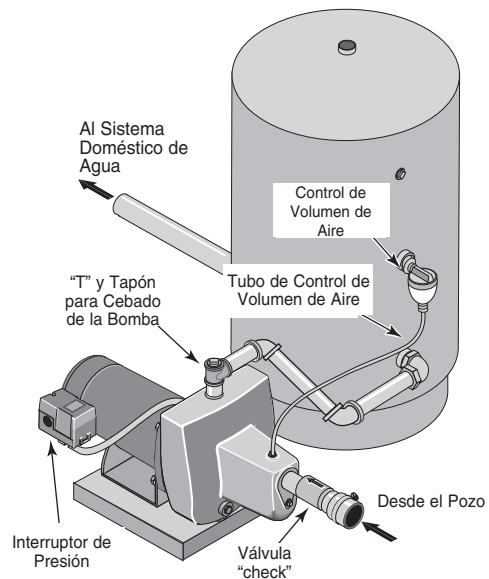


Figura 5: Conexiones para Tanque Estándar

Sellado de Juntas de Tubería

Utilice solamente cinta sellante de PTFE para roscas de tubería o compuestos para enchufes a base de PTFE para todas las conexiones de rosca a la bomba. **No use compuestos de burlete para tuberías en bombas de plástico:** estos pueden reaccionar con los componentes de plástico de la bomba. Asegúrese de que todos los burletes en la tuberías de aspiración sean impermeables y herméticos. *Si la tubería de aspiración aspira aire, la bomba no podrá sacar agua del pozo.*

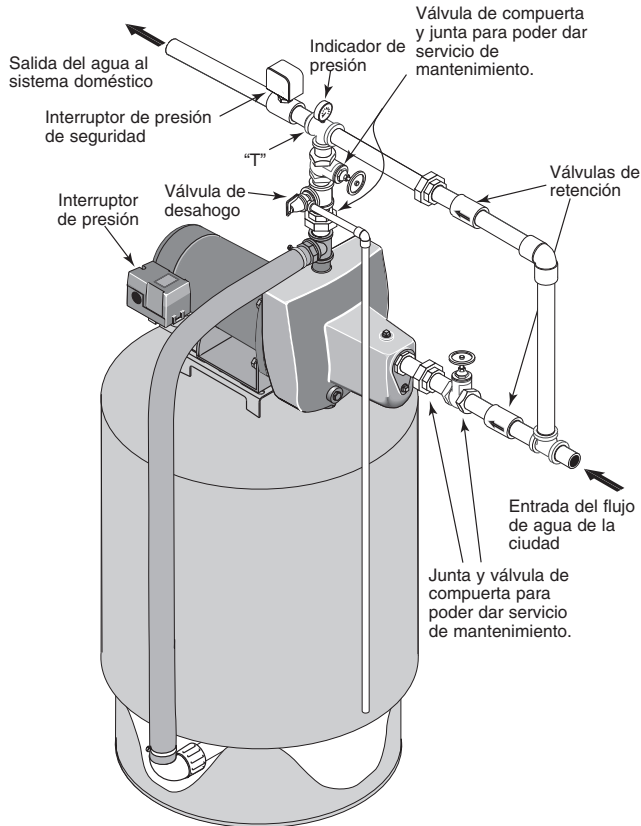


Figura 6: Modelo SNCP42

2882 0198

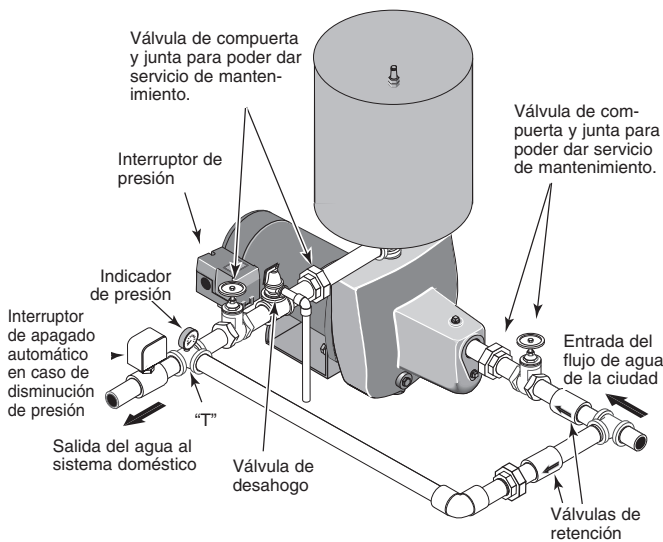


Figura 7: Modelo SNCP15

Componentes no incluidos	
Interruptor de apagado automático en caso de disminución presión (1)	Indicador de presión (1)
Válvulas de retención (2)	Juntas (3)
Válvulas de compuerta (2)	Codo (1)
Válvulas de desahogo (1)	"T's" (2)
	Tubería

INSTALACION

⚠ ADVERTENCIA Presión peligrosa. Instale una válvula de alivio como se muestra que sea capaz de pasar todo el flujo de la bomba a 75 psi. Si la presión es superior a 75 psi, el cuerpo de la bomba puede explotar.

⚠ ADVERTENCIA Nunca ponga a funcionar una bomba hacia una descarga cerrada. Hacerlo puede ocasionar que el agua en el interior de la bomba ebullicione, produciendo una presión peligrosa en la unidad, riesgo de explosión y posibles quemaduras con el agua a la persona que esté manejando la bomba.

AVISO: La velocidad del flujo de entrada debe ser igual o mayor al requerimiento mínimo de flujo de la bomba, 6 galones por minuto (6.06 litros por segundo), de lo contrario, la bomba fallará. La bomba nunca aumentará la velocidad de flujo del sistema.

Se recomienda instalar un interruptor de presión de seguridad que detenga el suministro de energía en caso que la presión de descarga disminuya considerablemente debido a obstrucciones en la tobera, interrupciones en el suministro de agua, etc.

Para obtener instrucciones sobre cómo ajustar el conmutador a presión, consulte la etiqueta dentro de la tapa del conmutador a presión.

Puede instalar el sistema en interiores y exteriores. Instalar sobre una superficie sólida y nivelada que cuente con drenaje adecuado y protegido contra climas extremos.

1. Cierre la llave de paso del agua del lugar.
2. Instale la tubería como se muestra (Figuras 6 y 7). No olvide colocar las uniones y las válvulas de cierre de tal forma que pueda quitar la unidad reforzadora de presión sin necesidad de interrumpir el suministro doméstico de agua. Se recomienda instalar una válvula de retención provista de resorte adelante del sistema de refuerzo y un interruptor de presión de seguridad. (También puede reemplazar el interruptor de presión estándar por un interruptor de presión que se apague automáticamente en caso que disminuya la presión).
3. Cubra todas las juntas de la tubería con cinta sellante de PTFE para roscas de tubería para prevenir fugas.

Por favor pase a las páginas 34 y 35 para saber acerca de la conexión eléctrica.

Tabla I: Graduación del conmutador a presión para el sistema de refuerzo

Si la mínima presión de entrada del sistema es:	Ajuste el interruptor de presión a:	Graduar la precarga del tanque a:
Interfior a 20 psi	20/40; graduar el punto de conexión a 20 lb/po	18 psi
de 20 a 30 psi	30/50; graduar el punto de conexión a 30 lb/po	28 psi
de 30 a 40 psi	40/60; graduar el punto de conexión a 40 lb/po	38 psi

⚠ Desconecte la corriente antes de trabajar en la bomba, el motor, el conmutador a presión, o los cables.

CONFIGURACIONES DEL INTERRUPTOR DEL MOTOR

Los motores de dos tensiones (motores que pueden operar tanto a 115 como a 230 voltios) vienen configurados de fábrica para 230 voltios. No cambie la configuración de tensión del motor si la tensión de línea es de 230 voltios o si usted tiene un motor de una sola tensión.

NOTA: Nunca conecte un motor de 115 voltios a una línea de 230 voltios.

NOTA: Los motores TEFC (de ventilación exterior) se deben cablear según el diagrama de cableado que aparece en la caja de derivación en el motor. Verifique que el motor esté conectado para la corrección de la tensión de línea.

NOTA: Los motores trifásicos se deben cablear según el diagrama de cableado del motor. Verifique que el motor esté conectado para la tensión de línea correcta.

Saque la tapa del motor

Si usted tiene un motor de dos tensiones y lo conectará a una línea de 115 voltios, siga el procedimiento indicado a continuación.

Deberá sacar la cubierta del motor para cambiar la configuración de tensión.

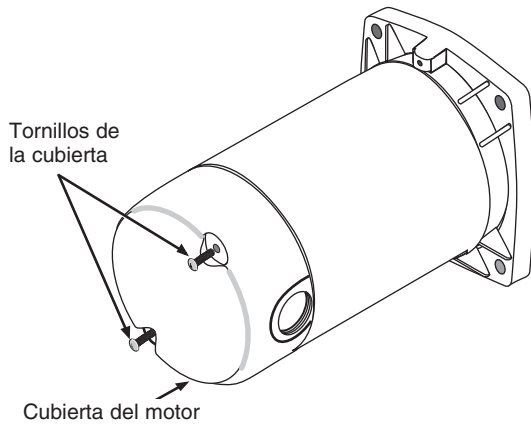


Figura 8: Remoción de la cubierta del motor

El tablero de bornes de su motor (ubicado debajo de la cubierta del motor) deberá ser similar al indicado a continuación.

Selector del tensión tipo cuadrante

Para cambiar a 115 Voltios:

1. Verifique que la corriente eléctrica esté desconectada.
2. Gire el cuadrante hacia la izquierda (en dirección contraria a las agujas del reloj) hasta que la ventana del cuadrante indique 115.

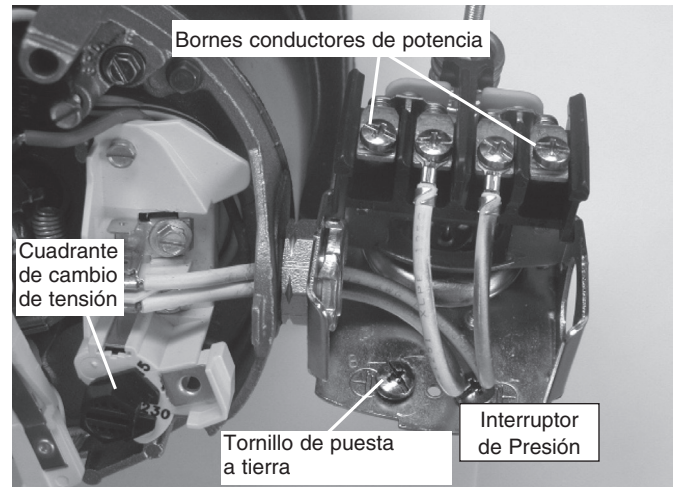


Figura 9: Cuadrante de regulación de tensión

3. Conecte los cables conductores de potencia a los bornes conductores de potencia. Verifique que los cables estén bien fijados.
4. Conecte el cable de puesta a tierra al tornillo verde de puesta tierra.
5. Vuelva a colocar la cubierta del motor.

Pase a la sección de Conexiones de Cableado a continuación.

⚠ ADVERTENCIA Tensión peligrosa. Puede causar choques, quemaduras o muerte. Conecte el alambre de puesta a tierra antes de conectar los alambres de suministro de corriente. Use el cable del tamaño especificado en la tabla de cableado (incluyendo el alambre de puesta a tierra). Si es posible, conecte la bomba a un circuito separado de derivación sin ningún otro artefacto en el mismo.

⚠ ADVERTENCIA Peligro de explosión. No haga la conexión a tierra en una línea de suministro de gas.

CONEXIONES DE LOS CABLES

⚠ ADVERTENCIA Peligro de incendio. Una tensión incorrecta puede causar un incendio o dañar el motor seriamente e invalidará la garantía. La tensión de suministro debe ser entre $\pm 10\%$ de la tensión especificada en la placa de datos del motor.

AVISO: Los motores para doble tensión vienen cableados de fábrica a 230 voltios. Si es necesario, vuelva a conectar el motor para 115 voltios, según se ilustra. No modifique el cableado en los motores de tensión singular.

Instale, ponga a tierra, conecte los alambres y mantenga su bomba conforme al Código Nacional de Electricidad en EE. UU. (NEC) o al Código Canadiense de Electricidad (CEC), según corresponda, y conforme a todos los códigos y normas locales que correspondan. Consulte con su inspector local de construcciones para obtener información sobre los códigos.

Procedimiento para las conexiones:

1. Conecte el alambre de puesta a tierra primero según se ilustra en la Figura 9. El alambre de puesta a tierra debe ser un alambre de cobre sólido por lo menos tan grande como los alambres de suministro de corriente.

2. Debe haber una conexión metálica sólida entre el conmutador a presión y el motor para brindar protección a tierra para el motor. Si el conmutador a presión no está conectado al motor, conecte el tornillo de puesta a tierra verde en el conmutador al tornillo de puesta a tierra verde debajo de la tapa de extremo del motor. Use un alambre de cobre sólido que sea por lo menos tan grande como los alambres de suministro de corriente.
3. Conecte el alambre de puesta a tierra a un alambre conectado a tierra del tablero de servicio, a un tubo metálico para agua subterránea, a un entubamiento metálico para pozos de por lo menos 3 metros (10 pies) de largo, o a un electrodo a tierra suministrado por la empresa de energía o hidroeléctrica.
4. Conecte los alambres de suministro de corriente al conmutador de presión según se ilustra en la Figura 9.

TABLA DE CONEXIONES - CABLES RECOMENDADOS Y TAMAÑOS DE FUSIBLES

HP del motor	Voltios	Amp de carga Máxima	Amp de Rango de Fusible de Derivación	DISTANCIA EN PIES DESDE EL MOTOR AL SUMINISTRO DE ENERGIA				
				0 - 100 (0 - 30)	101 - 200 (31 - 61)	201 - 300 (62 - 91)	301 - 400 (92 - 122)	401 - 500 (123 - 152)
				CALIBRE DEL CABLE AWG (mm cuadrados)				
1/2	115/230	8.8/4.4	15/15	14/14 (2/2)	12/14 (3/2)	10/14 (5.5/2)	8/14 (8.4/2)	8/12 (8.4/3)
3/4	115/230	12.2/6.1	20/15	12/14 (3/2)	10/14 (5.5/2)	8/14 (8.4/2)	6/12 (14/3)	6/12 (14/3)
1	115/230	14.8/7.4	20/15	12/14 (3/2)	8/14 (8.4/2)	6/14 (14/2)	6/12 (14/3)	4/10 (21/5.5)
1-1/2	115/230	19.9/10.0	25/15	10/14 (5.5/2)	8/14 (8.4/2)	6/12 (14/3)	4/10 (21/5.5)	4/10 (21/5.5)

ANTES DE ARRANCAR LA BOMBA

⚠ PRECAUCIÓN Nunca ponga a funcionar la bomba en seco. Poner a funcionar la bomba sin agua puede ocasionarle sobre calentamiento, dañar el sello y tal vez causar quemaduras a las personas que la estén manejando. Llene la bomba con agua antes de arrancarla.

⚠ ADVERTENCIA Nunca ponga a funcionar una bomba hacia una descarga cerrada. Hacerlo puede ocasionar que el agua en el interior de la bomba ebullicione, produciendo una presión peligrosa en la unidad, riesgo de explosión y posibles quemaduras con el agua a la persona que esté manejando la bomba.

Paso 1. Quite el tapón de cebado de la "T" de cebado y llene la bomba. Llene todo el tramo de tubería que está entre la bomba y el pozo y asegúrese de que toda la tubería del pozo esté llena. Si instaló también una "T" de cebado en la tubería de succión, quite el tapón de la "T" y llene la tubería de succión.

Paso 2. Vuelva a colocar todos los tapones de llenado.

Paso 3. **¡Enciéndala!** Arranque la bomba. Si no tiene agua después de 2 a 3 minutos, detenga la bomba y retire los tapones. Vuelva a llenar la bomba y la tubería. Es probable que tenga que repetir este paso varias veces con el fin de sacar todo el aire atrapado dentro de la tubería. Es probable que necesite hasta 15 minutos para cebar la bomba con una elevación de agua de 25'.

Paso 4. Después de que la bomba ha producido presión en el sistema y esté apagada, verifique la operación del interruptor de presión abriendo una llave o dos y dejando correr suficiente agua para descargar la presión hasta que la bomba arranque. La bomba debe arrancar cuando la presión caiga a 30 PSI y se debe detener cuando la presión alcance los 50 PSI. Haga funcionar la bomba durando uno o dos ciclos completos para verificar su correcta operación. Esto también le ayudará a limpiar el sistema de polvo y basura producida durante la instalación.



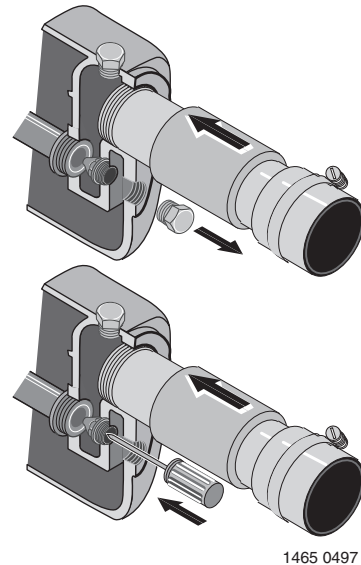
Llenar la bomba y la tubería por la "T" de cebado.

2351 0396

Figura 9: Llenado de la Bomba

LIMPIEZA DE LA BOQUILLA (BAJA PRESIÓN)

Use un punzón común o de hielo para limpiar la boquilla – diámetro máximo de 3/16" (consulte la Figura 11). Asegúrese de **NO** agrandar el orificio en la boquilla. Cuando vuelva a ensamblar, use cinta de PTFE en el tapón para sellarlo.



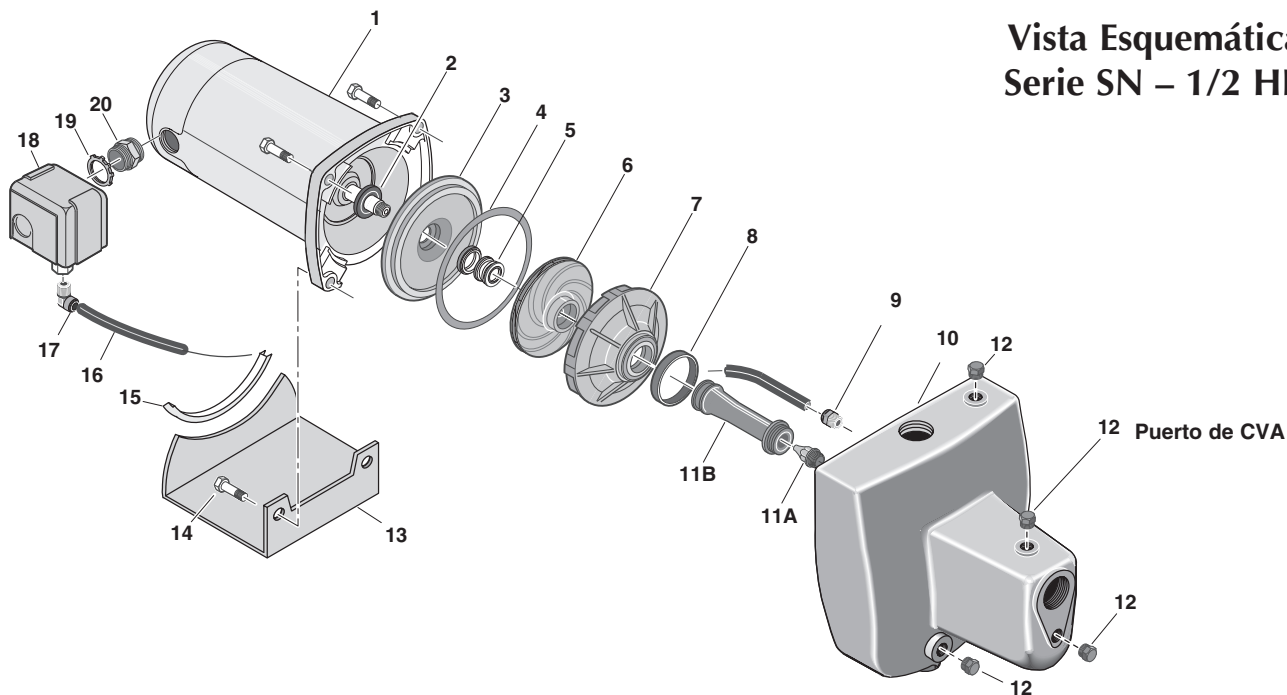
1465 0497

Figura 11: Use un punzón común o de hielo para limpiar la boquilla

Felicitaciones por una instalación exitosa.

Si no pudo instalar correctamente la bomba, consulte la sección "Solución de Problemas" (Página 40).

Vista Esquemática Serie SN – 1/2 HP



LISTA DE PARTES DE REPARACIÓN: Serie SN, 1/2 HP

Clave N°	Descripción de la Parte	Cant.	Modelo y caballos de fuerza		
			SNC-L 1/2 HP	SNC-HF25L 1/2 HP	SNC-5L 1/2 HP
1	Motor	1	J218-582APKG	J218-582APKG	J218-582APKG
#§2	Deflector de Agua	1	17351-0009	17351-0009	17351-0009
3	Placa de Sello	1	N3-1043P	N3-1043P	N3-1043P
#§4	Junta de la Placa del Sello	1	N20-35	N20-35	N20-35
#§5	Sello de la Flecha	1	U109-6A	U109-6A	U109-6A
#6	Impulsor	1	J105-40P	J105-40P	J105-40P
#7	Difusor	1	L1-25P	L1-25P	L1-25P
#§8	Junta del Difusor	1	N20-34	N20-34	N20-34
9	Desconexión rápida - 1/4" NPT	1	U11-217P	U11-217P	—
10	Ensamble del Cuerpo de la Bomba	1	N176-43	N176-43A	N176-43
11A	Boquilla	(1)	N34P-17(#43)	N34P-17(#43)	N34P-17(#43)
11B	Tubo Venturi	(1)	N32P-66	N32P-67	N32P-66
12	Tapón de Tubería - 1/4" NPT Cabeza Hexagonal	(4)	U78-941ZPV(3)	U78-941ZPV(3)	U78-941ZPV
13	Base	1	J4-9	J4-9	J4-9
14	Tornillo de Cabeza Hexagonal - 3/8"-16 x 1-1/4" de largo	4	U30-75ZP	U30-75ZP	U30-75ZP
14	Tornillo de Cabeza Hexagonal - 3/8"-16 x 1-1/2" de largo	2	—	—	—
15	Cojín de Hule	1	C35-5	C35-5	C35-5
16	Tubo 1/4" O.D.	1	U37-676P	U37-676P	—
17	Codo de desconexión rápida - 1/4" NPT	1	U11-218P	U11-218P	—
18	Interruptor de Presión	1	U217-1225	U217-1226	—
19	Contratuercas - 1/2"	1	U36-112ZP	U36-112ZP	—
20	Conector	1	L43-5C	L43-5C	—

§ Includido en el Kit de Sello y Junta.

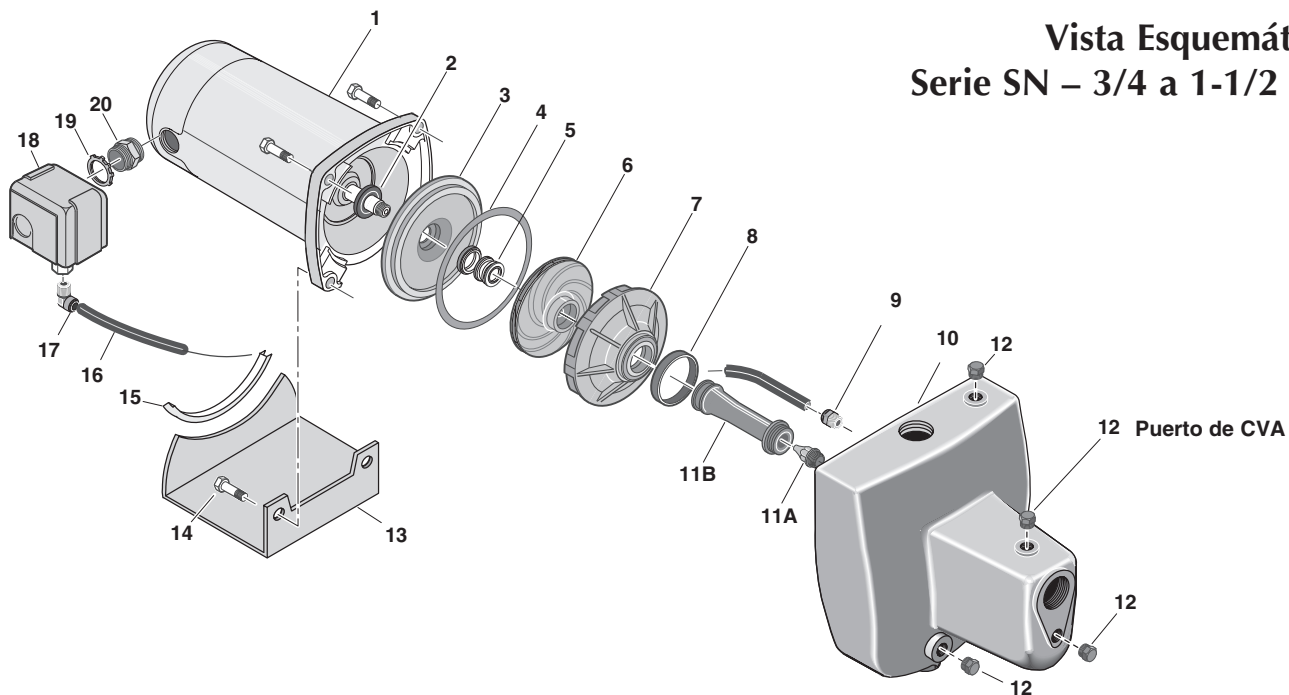
Includido en el Kit de Reparación General.

NOTA: La cantidad es uno a menos que se indique lo contrario ().

KIT DE SERVICIO

§ Kit de Sello y Junta	PP1550	PP1550	PP1550
# Kit de Desmontaje	PP1560	PP1560	PP1560

Vista Esquemática Serie SN – 3/4 a 1-1/2 HP



LISTA DE PARTES DE REPARACIÓN: Serie SN, 3/4 a 1-1/2 HP

Clave N°	Descripción de la Parte	Cant.	Modelo y caballos de fuerza		
			SND-L 3/4 HP	SNE-L 1 HP	SNF-L 1-1/2 HP
1	Motor	1	J218-590PKG	J218-596PKG	J218-601PKG
#§2	Deflector de Agua	1	17351-0009	17351-0009	17351-0009
3	Placa de Sello	1	N3-1043P	L3-10	L3-10
#§4	Junta de la Placa del Sello	1	N20-35	C20-21	C20-21
#§5	Sello de la Flecha	1	U109-6A	U109-6A	U109-6A
#6	Impulsor	1	J105-42P	J105-8PANP	J105-22PA
#7	Difusor	1	L1-25P	L1-23P	L1-23P
•	Tornillo difusor	3	—	U30-489SS	U30-489SS
•	Arandela en estrella del difusor	1	—	U43-21SS	U43-21SS
#§8	Junta del Difusor	1	N20-34	—	—
9	Desconexión rápida - 1/4" NPT	1	U11-217P	U11-217P	U11-217P
10	Ensamble del Cuerpo de la Bomba	1	N176-43B	N176-44	N176-44A
11A	Boquilla	(1)	N34P-21(#47)	J34P-44(#54)	J34P-44(#54)
11B	Tubo Venturi	(1)	N32P-75	N32P-64	N32P-65
12	Tapón de Tubería - 1/4" NPT Cabeza Hexagonal	(4)	U78-941ZPV(3)	U78-941ZPV	U78-941ZPV
13	Base	1	J4-9	J4-9C	J4-9C
14	Tornillo de Cabeza Hexagonal - 3/8"-16 x 1-1/4" de largo	4	U30-75ZP	U30-75ZP(2)	U30-75ZP(2)
14	Tornillo de Cabeza Hexagonal - 3/8"-16 x 1-1/2" de largo	2	—	U30-76ZP	U30-76ZP
15	Cojín de Hule	1	C35-5	C35-5	C35-5
16	Tubo 1/4" O.D.	1	U37-676P	U37-672P	U37-672P
17	Codo de desconexión rápida - 1/4" NPT	1	U11-218P	U11-218P	U11-218P
18	Interruptor de Presión	1	U217-1225	U217-1225	U217-1225
19	Contratuercia - 1/2"	1	U36-112ZP	U36-112ZP	U36-112ZP
20	Conector	1	L43-5C	L43-5C	L43-5C

§ Includo en el Kit de Sello y Junta.

Includo en el Kit de Reaparción General.

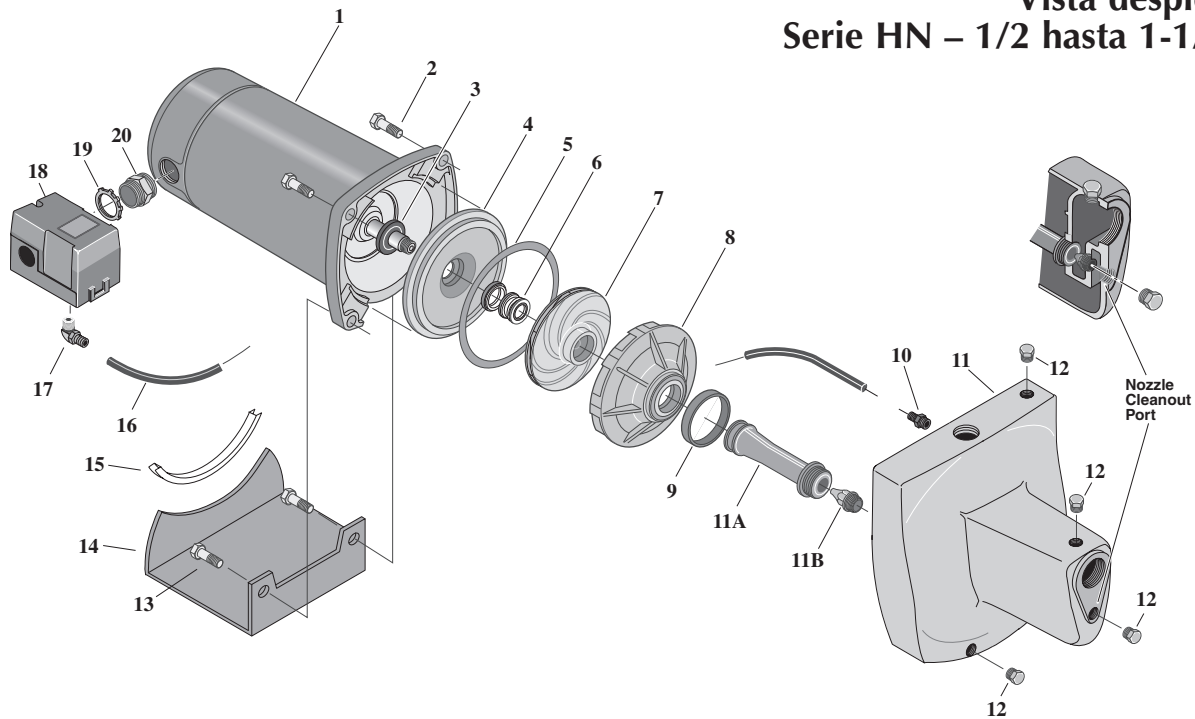
NOTA: La cantidad es uno a menos que se indique lo contrario ().

• No se ilustra.

KIT DE SERVICIO

§ Kit de Sello y Junta	PP1550	PP1553	PP1564
# Kit de Desmontaje	PP1561	PP1563	PP1514

Vista despiezada
Serie HN – 1/2 hasta 1-1/2 HP



LISTA DE PARTES DE REPARACIÓN: Serie HN, 1/2 a 1-1/2 HP

Clave N°	Descripción de la Parte	Cant.	HNC-L 1/2 HP	HNDX 3/4 HP	HND-L 3/4 HP	HNEX 1 HP	HNE-L 1 HP	HNFX 1-1/2 HP
1	Motor	1	J218-590PKG	J218-590PKG	J218-596PKG	J218-596PKG	J218-601PKG	J218-601PKG
2	Tornillo prisionero 3/8-16 x 1-1/4" de largo, cabeza hexagonal	4	U30-75ZP	U30-75ZP	-	-	-	-
2	Tornillo prisionero 3/8-16 x 1-1/2" de largo, cabeza hexagonal	2	-	-	U30-76ZP	U30-76ZP	U30-76ZP	U30-76ZP
3	Deflector de agua	1	17351-0009	17351-0009	17351-0009	17351-0009	17351-0009	17351-0009
4	Unidad de la placa de hermeticidad	1	N3-1043P	N3-1043P	L3-10	L3-10	L3-10	L3-10
5	Junta, placa de hermeticidad	1	N20-35	N20-35	C20-21	C20-21	C20-21	C20-21
6	Sello del eje	1	U109-6A	U109-6A	U109-6A	U109-6A	U109-6A	U109-6A
7	Impulsor	1	J105-42P	J105-42P	J105-8PAN	J105-8PAN	J105-22PA	J105-22PA
8	Difusor de la voluta	1	L1-25P	L1-25P	L1-23P	L1-23P	L1-23P	L1-23P
9	Junta, difusor	1	N20-34	N20-34	N20-34	N20-34	N20-34	N20-34
10	Conexión rápida, 1/4" NPT	1	U11-217P	U11-217P	U11-217P	U11-217P	U11-217P	U11-217P
11	Unidad del cuerpo de la bomba*	1	N176-43B	N176-43B	N176-44	N176-44	N176-44A	N176-44A
11A	Venturi	1	N32P-75	N32P-75	N32P-64	N32P-64	N32P-65	N32P-65
11B	Boquilla	1	N34P-21 (#47)	N34P-21 (#47)	J34P-44 (#54)	J34P-44 (#54)	J34P-44 (#54)	J34P-44 (#54)
12	Tapón de tubo, 1/4" NPT, cabeza hexagonal	()	U78-941ZPV(3)	U78-941ZPV(3)	U78-941ZPV(4)	U78-941ZPV(4)	U78-941ZPV(4)	U78-941ZPV(4)
13	Tornillo prisionero 3/8-16 x 1-1/2" de largo, cabeza hexagonal	2	-	-	U30-76ZP	U30-76ZP	U30-76ZP	U30-76ZP
14	BBase	1	J4-9	J4-9	J4-9C	J4-9C	J4-9C	J4-9C
15	Cojinete de caucho	1	C35-5	C35-5	C35-5	C35-5	C35-5	C35-5
16	TTubo, 1/4" de diámetro interior (largo varía)	1	U37-676P	U37-676P	U37-672P	U37-672P	U37-677P	U37-677P
17	Codo de conexión rápida, 1/4" NPT	1	U11-218P	U11-218P	U11-218P	U11-218P	U11-218P	U11-218P
18	Manóstat	1	U217-1216	U217-1216	U217-1216	U217-1216	U217-1216	U217-1216
19	Contratuercas, 1/2"	1	U36-112ZPP	U36-112ZPP	U36-112ZPP	U36-112ZPP	U36-112ZPP	U36-112ZPP
20	Conector	1	L43-5C	L43-5C	L43-5C	L43-5C	L43-5C	L43-5C
	• Tornillo del difusor, #8-32 x 3/4"	3	-	-	U30-489SS	U30-489SS	U30-489SS	U30-489SS
	• Arandela del difusor, #8 Diente Ext.	3	-	-	U43-21SS	-	U43-21SS	U43-21SS
	• Tapón de pulsación	1	-	-	-	-	U17-1131	U17-1131

• No se ilustra.

* Los Modelos HNC-L y HNDX requieren 3 tapones de tubo; los otros modelos requieren 4 tapones de tubo.

PROBLEMA	CAUSA(S) PROBABLE(S)	ACCIÓN CORRECTIVA
El motor no enciende	<p>El interruptor de desconexión está apagado El fusible está quemado o el circuito interruptor se abrió El interruptor de encendido está defectuoso Los cables en el motor están sueltos, desconectados o conectados incorrectamente.</p> <p>Los contactos del interruptor de presión están sucios.</p>	<p>Asegúrese de que el interruptor esté encendido Reemplace el fusible o vuelva a cerrar el circuito interruptor</p> <p>DESCONECTE LA ENERGÍA; reemplace el interruptor de encendido Vea las instrucciones sobre las conexiones eléctricas en la sección de Electricidad. (Página 34). DESCONECTE LA ENERGÍA; revise y ajuste toda la conexión eléctrica.</p> <p>⚠ ADVERTENCIA El voltaje del capacitor puede ser peligroso. Para descargar el capacitor del motor, tome un desatornillador con mango aislado POR EL MANGO y ponga en corto las terminales del capacitor. No toque la superficie de metal del desatornillador ni las terminales del capacitor. Si tiene alguna duda, consulte a un electricista calificado.</p> <p>DESCONECTE LA ENERGÍA y lime los contactos con lima de papel o lima para uñas.</p>
El motor se calienta y la sobre carga lo enciende	<p>El motor está conectado incorrectamente El voltaje es muy bajo Los ciclos de la bomba son muy frecuentes</p>	<p>Vea las instrucciones sobre las conexiones eléctricas Verifique con la compañía de energía eléctrica. Instale un cableado de mayor calibre si éste es muy pequeño (Vea la Tabla de Cableado/Electricidad) Vea la sección a continuación sobre ciclos frecuentes.</p>
<p>El motor funciona pero no sale agua*</p> <p>* (Nota: Pare la bomba: después verifique el cebado antes de buscar otras causas. Desatornille el tapón de cebado y vea si hay agua en el orificio de cebado)</p>	<p>La bomba en una instalación nueva no recogió el cebado debido a:</p> <ol style="list-style-type: none"> 1. Cebado inadecuado 2. Fugas de aire 3. Fugas en la válvula de retención o en la válvula "check" <p>La bomba ha perdido cebado debido a:</p> <ol style="list-style-type: none"> 1. Fugas de aire 2. Nivel de agua por debajo de la entrada de la tubería de succión <p>La válvula de retención o el filtro están tapados El eyector o el impulsor están tapados La válvula "check" o la válvula de retención están tapadas o cerradas Las tuberías están congeladas</p> <p>La válvula de retención y/o el filtro están enterradas en arena o lodo El nivel de agua es muy bajo para que la instalación para pozo poco profundo entregue agua.</p>	<p>En una instalación nueva:</p> <ol style="list-style-type: none"> 1. Vuelva a cebarla de según las instrucciones 2. Revise todas las conexiones en la línea de succión, CVA y el eyector 3. Reemplace la válvula de retención o la válvula "check" <p>En una instalación que ya esté en uso:</p> <ol style="list-style-type: none"> 1. Revise todas las conexiones en la línea de succión y ajuste el sello 2. Baje la línea de succión hacia el agua y vuelva a cebar. Si la disminución del nivel de agua excede el levantamiento de succión, es necesario instalar una bomba para pozo profundo <p>Limpie la válvula de retención o el filtro Limpie el eyector o el impulsor Reemplace la válvula "check" o la válvula de retención.</p> <p>Descongele las tuberías. Entierre las tuberías debajo de la línea de congelación. Caliente la casa de bombas o el foso Eleve la válvula de retención y/o el filtro sobre el fondo de la fuente de agua. Limpie la válvula de retención y el filtro. Se puede requerir un paquete de propulsor a chorro para pozo profundo (más de 25 pies de profundidad) para suministrar agua.</p>
La bomba no produce agua a toda su capacidad	<p>El nivel del agua en el pozo profundo es menor que el que se calculó La tubería de acero (si se utilizó) está corroída u oxidada, ocasionando una fricción excesiva El tamaño de la tubería es muy pequeño Conexión para pozo empacada.</p>	<p>Si su pozo tiene una profundidad mayor a 25' (7.6m), necesitará un paquete de propulsor a chorro para pozo profundo. Reemplace con tubería de plástico donde sea posible, o de lo contrario con tubería nueva de acero Utilice tubería más grande Contraflujo de la conexión para pozo o para la nueva conexión del fregadero.</p>
La bomba entrega agua pero no se apaga o los ciclos de bombeo son muy frecuentes	<p>El interruptor de presión está desajustado o los contactos están soldados juntos Se dejaron las llaves abiertas El venturi, la boquilla o el impulsor están tapados El nivel de agua en el pozo profundo es menor de que se calculó El tanque de presión estándar está tapado por agua y no tiene amortiguador de aire Las tuberías presentan fugas Las válvulas de retención presentan fugas La carga de aire es muy baja en el tanque pre-cargado</p>	<p>DESCONECTE LA ENERGÍA; ajuste o reemplace el interruptor de presión</p> <p>Cierre las llaves Limpie el venturi, la boquilla o el impulsor</p> <p>Reemplace la boquilla y el venturi con la combinación correcta para el pozo</p> <p>Drene el tanque al orificio de control de volumen de aire. Revise que el CVA no presente defectos. Verifique que no haya fugas de aire en ninguna conexión. Revise las conexiones Reemplace la válvula de retención</p> <p>DESCONECTE LA ENERGÍA y abra las llaves hasta que la presión haya sido liberada. Mida la presión del aire en el tanque con un calibrador de neumáticos en el vástago de la válvula que se encuentra en el tanque. Si la presión es menor a la de cierre del interruptor de presión (30 - 50 PSI), bombee aire hacia el tanque desde una fuente externa hasta que la presión del aire sea 2 PSI menos que la presión de cierre del interruptor. Verifique que no haya fugas en la válvula de aire (utilice una solución jabonosa) y reemplace el centro si es necesario.</p>
Sale aire de las llaves	<p>La bomba está jalando el cebado Fuga en el lado de la succión de la bomba</p> <p>El pozo es gaseoso Sobre-bombeo intermitente del pozo, (agua sacada de abajo de la válvula de retención)</p>	<p>Cuando la válvula recoge el cebado, todo el aire será liberado Si la tubería de succión está succionando aire, utilice agua jabonosa para revisar si las conexiones tienen fuga. Consulte a la fábrica sobre la instalación de una camisa en el pozo Baje la válvula de retención si es posible, si no restrinja la descarga de la bomba.</p>