

**WARNING:**

CANCER AND REPRODUCTIVE HARM -  
WWW.P65WARNINGS.CA.GOV

Item No.	Name of Part	Item No.	Name of Part
1A	Casing (Lower Half)	* 38	Shaft Sleeve Gasket
1B	Casing (Upper Half)	38A	Impeller Hub Gasket
* 2A	Impeller (1st Stage)	40	Deflector (Liquid)
* 2B	Impeller (2nd Stage)	41	Inboard Bearing Cap
6	Shaft	43	Outboard Bearing Cap
7	Casing Ring	63	Stuffing Box Bushing
18	Impeller Ring (Not Shown)	* 65	Mechanical Seal
* 14	Shaft Sleeve	68	Seal Sleeve
* 16	Inboard Bearing	72	Thrust Collar
17A	Seal Cap	73	Casing Gasket - Suction Side (Not Shown)
* 18	Outboard Bearing	73A	Casing Gasket - Discharge Side (Not Shown)
20	Shaft Sleeve Nut	73D	Seal Cap Gasket
31	Inboard Bearing Housing	* 109	Interstage Diaphragm
* 32	Impeller Key	127A	Seal Piping
33	Outboard Bearing Housing	192	Retaining Ring (Bearing)

\* For domestic service we recommend these parts be carried in stock as spares  
NOTE: All pumps have a maximum working pressure - 126 PSIG

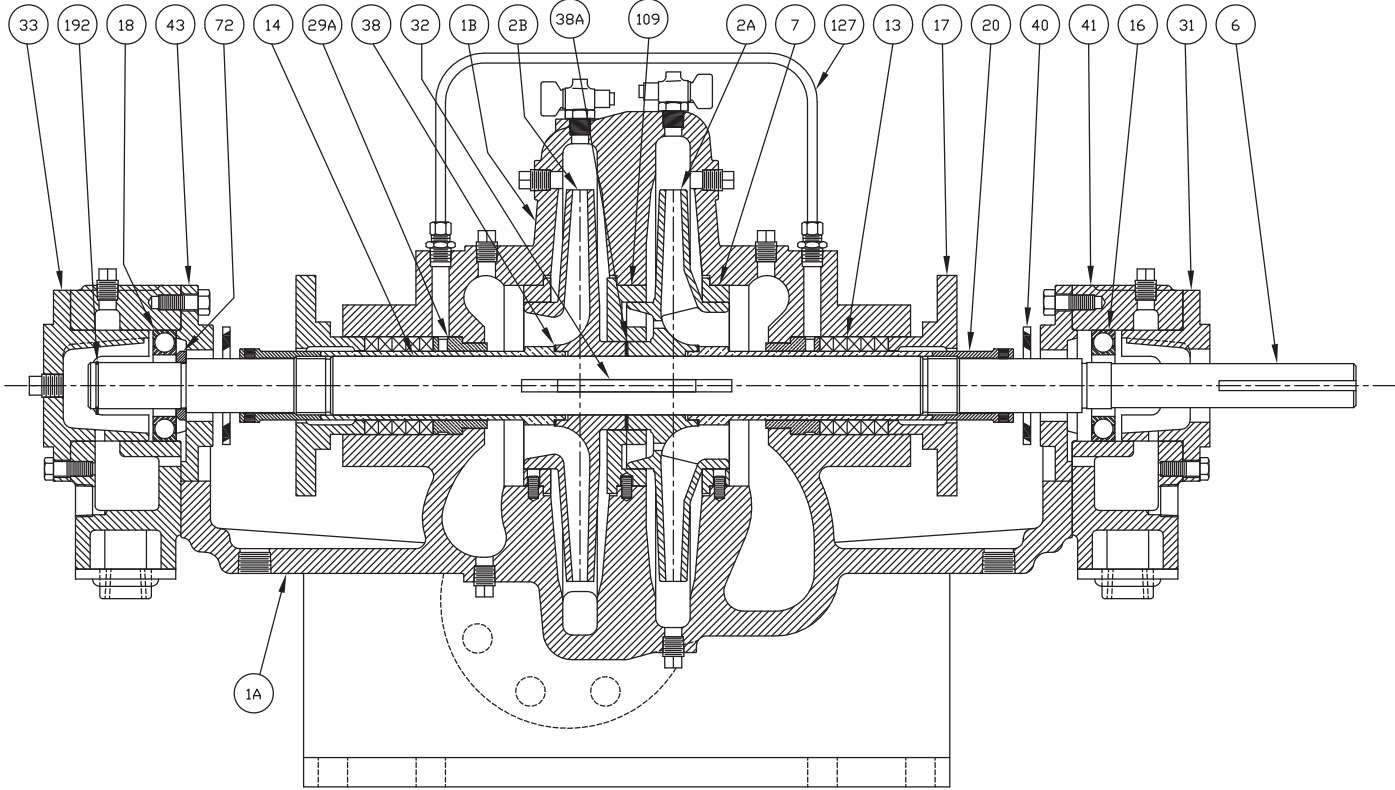
# Assembly Parts



type JD Two Stage Split Case Pumps with Packed Stuffing Box & Water Jacketed Bearings - Bulletin Repair Parts - 1310

www.cranepumps.com

# Repair Parts



**WARNING:**  
 CANCER AND REPRODUCTIVE HARM -  
 WWW.P65WARNINGS.CA.GOV

Item No.	Name of Part	Item No.	Name of Part
1A	Casing (Lower Half)	31	Inboard Bearing Housing
1B	Casing (Upper Half)	* 32	Impeller Key
* 2A	Impeller (1st Stage)	33	Outboard Bearing Housing
* 2B	Impeller (2nd Stage)	* 38	Shaft Sleeve Gasket
6	Shaft	38A	Impeller Hub Gasket
7	Casing Ring	40	Deflector (Liquid)
±8	Impeller Ring (Not Shown)	41	Inboard Bearing Cap
* 13	Packing	43	Outboard Bearing Cap
* 14	Shaft Sleeve	72	Thrust Collar
* 16	Water Jacketed Inboard Bearing	73	Casing Gasket - Suction Side (Not Shown)
* 17	Stuffing Box Gland	73A	Casing Gasket - Discharge Side (Not Shown)
* 18	Outboard Bearing	* 109	Interstage Diaphragm
20	Shaft Sleeve Nut	127A	Seal Piping
29A	Seal Cage	192	Retaining Ring (Bearing)

\* For domestic service we recommend these parts be carried in stock as spares  
 NOTE: All pumps have a maximum working pressure - 126 PSIG

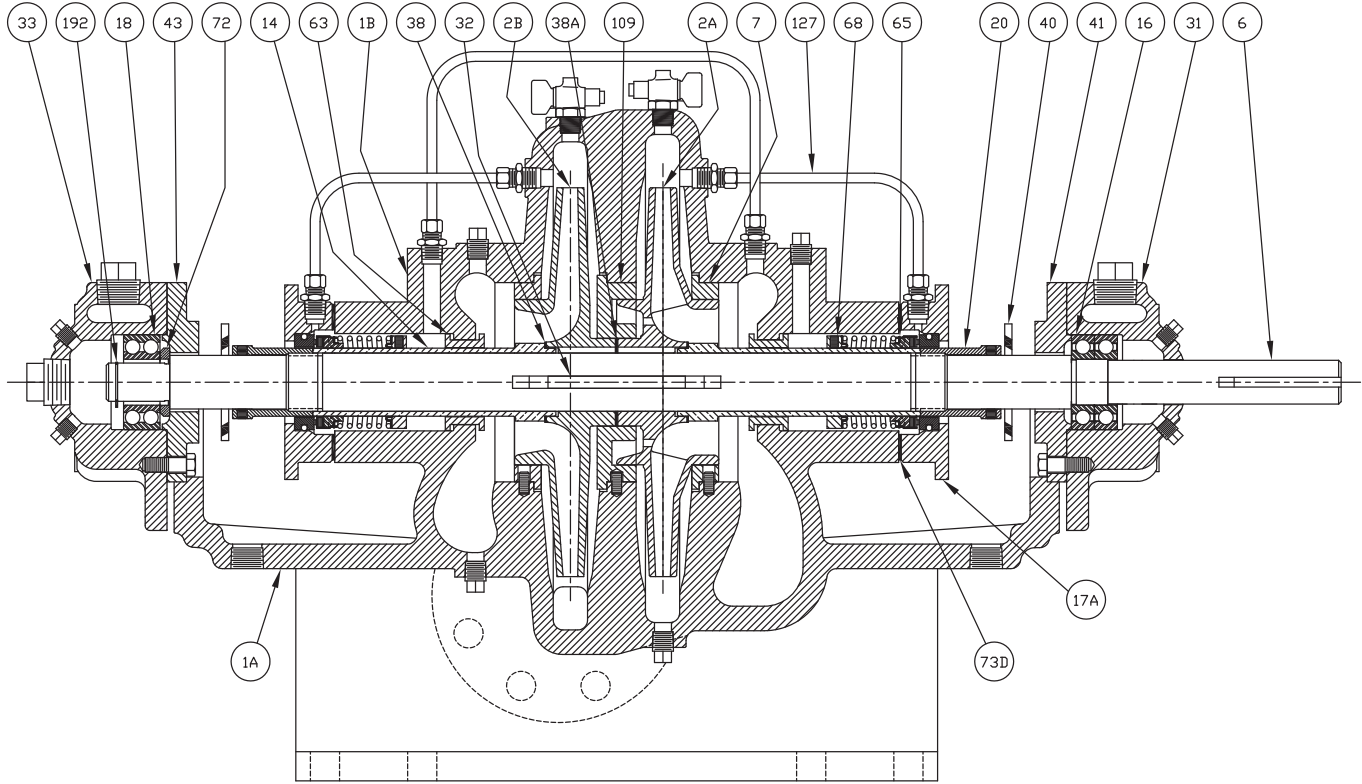
SECTION RP  
 PAGE 226  
 DATE 10/18



PUMPS & SYSTEMS

A Crane Co. Company

USA: (937) 778-8947 • Canada: (905) 457-6223 • International: (937) 615-3598



**WARNING:**  
CANCER AND REPRODUCTIVE HARM -  
WWW.P65WARNINGS.CA.GOV

Item No.	Name of Part	Item No.	Name of Part
1A	Casing (Lower Half)	* 38	Shaft Sleeve Gasket
1B	Casing (Upper Half)	38A	Impeller Hub Gasket
* 2A	Impeller (1st Stage)	40	Deflector (Liquid)
* 2B	Impeller (2nd Stage)	41	Inboard Bearing Cap
6	Shaft	43	Outboard Bearing Cap
7	Casing Ring	63	Stuffing Box Bushing
†8	Impeller Ring (Not Shown)	* 65	Mechanical Seal
* 14	Shaft Sleeve	68	Seal Sleeve
* 16	Inboard Bearing	72	Thrust Collar
17A	Seal Cap	73	Casing Gasket - Suction Side (Not Shown)
* 18	Outboard Bearing	73A	Casing Gasket - Discharge Side (Not Shown)
20	Shaft Sleeve Nut	73D	Seal Cap Gasket
31	Inboard Bearing Housing	* 109	Interstage Diaphragm
* 32	Impeller Key	127A	Seal Piping
33	Outboard Bearing Housing	192	Retaining Ring (Bearing)

\* For domestic service we recommend these parts be carried in stock as spares  
NOTE: All pumps have a maximum working pressure - 126 PSIG

Repair Parts

1310 Series with Packed Stuffing Box		1.5 JD	Qty.	2 JD	Qty.	3 JD	Qty.
1	Casing (Iron)	C7125-10-A2	1	C6547-10-A2	1	C7059-10-A2	1
2	Impeller - 1st Stage (BRZ)	C7488-B12	1	C6552-12-B12	1	C7060-B12	1
2	Impeller - 2nd Stage (BRZ)	C7127-B12	1	C6553-1-B12	1	C7061-B12	1
6	Shaft (Steel)	C5346-E22	1	C5346-E22	1	C5352-E22	1
7	Casing Ring (BRZ)	A5045-5-C9	2	A5042-2-C9	1	A5052-4-C9	2
7	Casing Ring (BRZ)			A5042-3-C9	1		
7	Casing Ring (BRZ)	A5045-4-C9	2	A5042-4-C9	2	A5052-1-C9	2
8	Impeller Ring (BRZ)	A5056-C9	2	A5053-1-C9	2	A5062-C9	2
13	Packing	Q27-62-M2	2	Q27-62-M2	2	Q27-63-M2	1
14	Shaft Sleeve (416 SS)	B4100-6-J2	2	B4100-6-J2	2	B4205-3-J2	2
16	Inboard Bearing	625-00719	1	625-00719	1	M-6142	1
17	Stuffing Box Gland (Brass)	A5198-B5	2	A5198-B5	2	A5199-B12	2
18	Outboard Bearing	625-00719	1	625-00719	1	M-6142	1
20	Shaft Sleeve Nut (BRZ)	A5348-C9	2	A5348-C9	2	A5354-C9	2
29A	Bleed-Off Bushing (BRZ)	A6631-C9	2	A6631-C9	2	A4209-1-C9	2
31	Inboard Bearing Housing (Iron)	B5347-1-A2	1	B5347-1-A2	1	B5353-1-A2	1
32	Impeller Key (303 SS)	Q21-23-J8	1	Q21-23-J8	1	Q21-22-J8	1
33	Outboard Bearing Housing (Iron)	B5347-1-A2	1	B5347-1-A2	1	B5353-A2	1
38	Shaft Sleeve Gasket (Lexide)	H1043-4-L14	2	H1043-4-L14	2	H1043-5-L14	2
38A	Impeller Hub Gasket	33705	1	33705	1	33706	1
40	Liquid Deflector (Rubber)	H1936-9-V11	2	H1936-9-V11	2	H1936-16-V11	2
41	Inboard Bearing Cap (Iron)	B4103-A2	1	B4103-A2	1	B5375-A2	1
43	Outboard Bearing Cap (Iron)	B4103-A2	1	B4103-A2	1	B5375-A2	1
72	Thrust Collar (Steel)	A5351-E4	1	A5351-E4	1	A5357-E4	1
73	Casing Gasket (Lexide)	C7311-2-L14	1	C6554-1-L14	1	C7145-1-L14	1
73A	Casing Gasket (Lexide)	C7312-2-L14	1	C6555-1-L14	1	C7146-1-L14	1
109	Interstage Diaphragm (BRZ)	A7128-B12	1	A6550-10-B12	1	A7062-B12	1
127A	Seal Piping (Copper)	Q30-6-C6	36"	Q30-6-C6	36"	Q30-6-C6	36"
192	Retaining Ring (Steel)	Q27-56-E4	1	Q27-56-E4	1	Q27-50-E4	1

\* Double Wear Ring Construction

1310 Series with Mechanical Seals		1.5 JD	Qty.	2 JD	Qty.	3 JD	Qty.
1	Casing (Iron)	C7125-10-A2	1	C6547-10-A2	1	C7059-10-A2	1
2	Impeller - 1st Stage (BRZ)	C7488-B12	1	C6552-12-B12	1	C7060-B12	1
2	Impeller - 2nd Stage (BRZ)	C7127-B12	1	C6553-1-B12	1	C7061-B12	1
6	Shaft (Steel)	C5346-E22	1	C5346-E22	1	C5352-E22	1
7	Casing Ring (BRZ)	A5045-5-C9	2	A5042-2-C9	1	A5052-4-C9	2
7	Casing Ring (BRZ)			A5042-3-C9	1		
7	Casing Ring (BRZ)	A5045-4-C9	2	A5042-4-C9	2	A5052-1-C9	2
8	Impeller Ring (BRZ)	A5056-C9	2	A5053-1-C9	2	A5062-C9	2
14	Shaft Sleeve (416 SS)	B4100-6-J2	2	B4100-6-J2	2	B4205-3-J2	2
16	Inboard Bearing	625-00719	1	625-00719	1	M-6142	1
17A	Seal Cap (Iron)	A6704-5-A2	2	A6704-5-A2	2	A6708-2-A2	2
18	Outboard Bearing	625-00719	1	625-00719	1	M-6142	1
20	Shaft Sleeve Nut (BRZ)	A5348-C9	2	A5348-C9	2	A5354-C9	2
31	Inboard Bearing Housing (Iron)	B5347-1-A2	1	B5347-1-A2	1	B5353-1-A2	1
32	Impeller Key (303 SS)	Q21-23-J8	1	Q21-23-J8	1	Q21-22-J8	1
33	Outboard Bearing Housing (Iron)	B5347-1-A2	1	B5347-1-A2	1	B5353-A2	1
38	Shaft Sleeve Gasket (Lexide)	H1043-4-L14	2	H1043-4-L14	2	H1043-5-L14	2
38A	Impeller Hub Gasket	33705	1	33705	1	33706	1
40	Liquid Deflector (Rubber)	H1936-9-V11	2	H1936-9-V11	2	H1936-16-V11	2
41	Inboard Bearing Cap (Iron)	B4103-A2	1	B4103-A2	1	B5375-A2	1
43	Outboard Bearing Cap (Iron)	B4103-A2	1	B4103-A2	1	B5375-A2	1
63	Stuffing Box Bushing (BRZ)	A7198-C9	2	A7198-C9	2	A7199-C9	2
65 & 80	Mechanical Seal	Q26-217-Y35	2	Q26-217-Y35	2	Q26-180-Y35	2
68	Seal Collar (BRZ)	A5153-C9	2	A5153-C9	2	A5147-C9	2
72	Thrust Collar (Steel)	A5351-E4	1	A5351-E4	1	A5357-E4	1
73	Casing Gasket (Lexide)	C7311-2-L14	1	C6554-1-L14	1	C7145-1-L14	1
73A	Casing Gasket (Lexide)	C7312-2-L14	1	C6555-1-L14	1	C7146-1-L14	1
73D	Seal Cap Gasket (Lexide)	A6500-1-L14	2	A6500-1-L14	2	A6501-L14	2
109	Interstage Diaphragm (BRZ)	A7128-B12	1	A6550-10-B12	1	A7062-B12	1
127A	Seal Piping (Copper)	Q30-6-C6	36"	Q30-6-C6	36"	Q30-6-C6	36"
192	Retaining Ring (Steel)	Q27-56-E4	1	Q27-56-E4	1	Q27-50-E4	1

\* Double Wear Ring Construction

Repair Parts

1310 Series with Packed Stuffing Box & Water Cooled Thrust Bearings		1.5 JD	Qty.	2 JD	Qty.	3 JD	Qty.
1	Casing (Iron)	C7125-10-A2	1	C6547-10-A2	1	C7059-10-A2	1
2	Impeller - 1st Stage (BRZ)	C7488-B12	1	C6552-12-B12	1	C7060-B12	1
2	Impeller - 2nd Stage (BRZ)	C7127-B12	1	C6553-1-B12	1	C7061-B12	1
6	Shaft (Steel)	C6949-E22	1	C6949-E22	1	C7238-J4	1
7	Casing Ring (BRZ)	A5045-5-C9	2	A5042-2-C9	1	A5052-4-C9	2
7	Casing Ring (BRZ)			A5042-3-C9	1		
7	Casing Ring (BRZ)	A5045-4-C9	2	A5042-4-C9	2	A5052-1-C9	2
8	Impeller Ring (BRZ)	A5056-C9	2	A5053-1-C9	2	A5062-C9	2
13	Packing	Q27-62-M2	2	Q27-62-M2	2	Q27-63-M2	1
14	Shaft Sleeve (416 SS)	B4100-6-J2	2	B4100-6-J2	2	B4205-3-J2	2
16	Inboard Bearing (416 SS)	625-00719	1	625-00719	1	M-6142	1
17	Stuffing Box Gland (Brass)	A5198-B5	2	A5198-B5	2	A5199-B12	2
18	Outboard Bearing (Steel)	Q10-9-E4	2	Q10-9-E4	2	Q10-12-E4	2
20	Shaft Sleeve Nut (BRZ)	A5348-C9	2	A5348-C9	2	A5354-C9	2
29A	Bleed-Off Bushing (BRZ)	A6631-C9	2	A6631-C9	2	A4209-1-C9	2
31	Inboard Bearing Housing (Iron)	B5347-1-A2	1	B5347-1-A2	1	B5353-1-A2	1
32	Impeller Key (303 SS)	Q21-23-J8	1	Q21-23-J8	1	Q21-22-J8	1
33	Outboard Bearing Housing (Iron)	3783-2-A2	1	3783-2-A2	1	3798-2-A2	1
38	Shaft Sleeve Gasket (Lexide)	H1043-4-L14	2	H1043-4-L14	2	H1043-5-L14	2
38A	Impeller Hub Gasket	33705	1	33705	1	33706	1
40	Liquid Deflector (Rubber)	H1936-9-V11	2	H1936-9-V11	2	H1936-16-V11	2
41	Inboard Bearing Cap (Iron)	B4103-A2	1	B4103-A2	1	B5375-A2	1
43	Outboard Bearing Cap (Iron)	3783-3-A2	1	3783-3-A2	1	A4574-A2	1
73	Casing Gasket (Lexide)	C7311-2-L14	1	C6554-1-L14	1	C7145-1-L14	1
73A	Casing Gasket (Lexide)	C7312-2-L14	1	C6555-1-L14	1	C7146-1-L14	1
109	Interstage Diaphragm (BRZ)	A7128-B12	1	A6550-10-B12	1	A7062-B12	1
127A	Seal Piping (Copper)	Q30-6-C6	36"	Q30-6-C6	36"	Q30-6-C6	36"
192	Retaining Ring (Steel)	Q27-55-E4	1	Q27-55-E4	1	Q27-56-E4	1

\* Double Wear Ring Construction

1310 Series with Seals & Water Cooled Thrust Bearings		1.5 JD	Qty.	2 JD	Qty.	3 JD	Qty.
1	Casing (Iron)	C7125-10-A2	1	C6547-10-A2	1	C7059-10-A2	1
2	Impeller - 1st Stage (BRZ)	C7488-B12	1	C6552-12-B12	1	C7060-B12	1
2	Impeller - 2nd Stage (BRZ)	C7127-B12	1	C6553-1-B12	1	C7061-B12	1
6	Shaft (Steel)	C6949-E22	1	C6949-E22	1	C7238-J4	1
7	Casing Ring (BRZ)	A5045-5-C9	2	A5042-2-C9	1	A5052-4-C9	2
7	Casing Ring (BRZ)			A5042-3-C9	1		
7	Casing Ring (BRZ)	A5045-4-C9	2	A5042-4-C9	2	A5052-1-C9	2
8	Impeller Ring (BRZ)	A5056-C9	2	A5053-1-C9	2	A5062-C9	2
14	Shaft Sleeve (416 SS)	B4100-6-J2	2	B4100-6-J2	2	B4205-3-J2	2
16	Inboard Bearing	625-00719	1	625-00719	1	M-6142	1
17A	Seal Cap (Iron)	A6704-5-A2	2	A6704-5-A2	2	A6708-2-A2	2
18	Outboard Bearing (Steel)	Q10-9-E4	2	Q10-9-E4	2	Q10-12-E4	2
20	Shaft Sleeve Nut (BRZ)	A5348-C9	2	A5348-C9	2	A5354-C9	2
31	Inboard Bearing Housing (Iron)	B5347-1-A2	1	B5347-1-A2	1	B5353-1-A2	1
32	Impeller Key (303 SS)	Q21-23-J8	1	Q21-23-J8	1	Q21-22-J8	1
33	Outboard Bearing Housing (Iron)	3783-2-A2	1	3783-2-A2	1	3798-2-A2	1
38	Shaft Sleeve Gasket (Lexide)	H1043-4-L14	2	H1043-4-L14	2	H1043-5-L14	2
38A	Impeller Hub Gasket	33705	1	33705	1	33706	1
40	Liquid Deflector (Rubber)	H1936-9-V11	2	H1936-9-V11	2	H1936-16-V11	2
41	Inboard Bearing Cap (Iron)	B4103-A2	1	B4103-A2	1	B5375-A2	1
43	Outboard Bearing Cap (Iron)	3783-3-A2	1	3783-3-A2	1	A4574-A2	1
63	Stuffing Box Bushing (BRZ)	A7198-C9	2	A7198-C9	2	A7199-C9	2
65 & 80	Mechanical Seal	Q26-217-Y35	2	Q26-217-Y35	2	Q26-180-Y35	2
68	Seal Collar (BRZ)	A5153-C9	2	A5153-C9	2	A5147-C9	2
73	Casing Gasket (Lexide)	C7311-2-L14	1	C6554-1-L14	1	C7145-1-L14	1
73A	Casing Gasket (Lexide)	C7312-2-L14	1	C6555-1-L14	1	C7146-1-L14	1
73D	Seal Cap Gasket (Lexide)	A6500-1-L14	2	A6500-1-L14	2	A6501-L14	2
109	Interstage Diaphragm (BRZ)	A7128-B12	1	A6550-10-B12	1	A7062-B12	1
127A	Seal Piping (Copper)	Q30-6-C6	36"	Q30-6-C6	36"	Q30-6-C6	36"
192	Retaining Ring (Steel)	Q27-55-E4	1	Q27-55-E4	1	Q27-56-E4	1

\* Double Wear Ring Construction

Repair Parts

1310 Series with Packed Stuffing Box & Water Cooled Radial & Thrust Bearings		1.5 JD	Qty.	2 JD	Qty.	3 JD	Qty.
1	Casing (Iron)	C7125-10-A2	1	C6547-10-A2	1	C7059-10-A2	1
2	Impeller - 1st Stage (BRZ)	C7488-B12	1	C6552-12-B12	1	C7060-B12	1
2	Impeller - 2nd Stage (BRZ)	C7127-B12	1	C6553-1-B12	1	C7061-B12	1
6	Shaft (Steel)	C7209-E22	1	C7209-E22	1	C7239-E22	1
7	Casing Ring (BRZ)	A5045-5-C9	2	A5042-2-C9	1	A5052-4-C9	2
7	Casing Ring (BRZ)			A5042-3-C9	1		
7	Casing Ring (BRZ)	A5045-4-C9	2	A5042-4-C9	2	A5052-1-C9	2
8	Impeller Ring (BRZ)	A5056-C9	2	A5053-1-C9	2	A5062-C9	2
13	Packing	Q27-62-M2	2	Q27-62-M2	2	Q27-63-M2	1
14	Shaft Sleeve (416 SS)	B4100-6-J2	2	B4100-6-J2	2	B4205-3-J2	2
16	Inboard Bearing (Steel)	Q10-97-E4	1	Q10-97-E4	1	Q10-12-E4	1
17	Stuffing Box Gland (Brass)	A5198-B5	2	A5198-B5	2	A5199-B12	2
18	Outboard Bearing (Steel)	Q10-9-E4	2	Q10-9-E4	2	Q10-12-E4	2
20	Shaft Sleeve Nut (BRZ)	A5348-C9	2	A5348-C9	2	A5354-C9	2
29A	Bleed-Off Bushing (BRZ)	A6631-C9	2	A6631-C9	2	A4209-1-C9	2
31	Inboard Bearing Housing (Iron)	4479-1-A2	1	4479-1-A2	1	C4573-1-A2	1
32	Impeller Key (303 SS)	Q21-23-J8	1	Q21-23-J8	1	Q21-22-J8	1
33	Outboard Bearing Housing (Iron)	3783-2-A2	1	3783-2-A2	1	3798-2-A2	1
38	Shaft Sleeve Gasket (Lexide)	H1043-4-L14	2	H1043-4-L14	2	H1043-5-L14	2
38A	Impeller Hub Gasket	33705	1	33705	1	33706	1
40	Liquid Deflector (Rubber)	H1936-9-V11	2	H1936-9-V11	2	H1936-16-V11	2
41	Inboard Bearing Cap (Iron)	3783-3-A2	1	3783-3-A2	1	B5375-A2	1
43	Outboard Bearing Cap (Iron)	3783-3-A2	1	3783-3-A2	1	A4574-A2	1
73	Casing Gasket (Lexide)	C7311-2-L14	1	C6554-1-L14	1	C7145-1-L14	1
73A	Casing Gasket (Lexide)	C7312-2-L14	1	C6555-1-L14	1	C7146-1-L14	1
109	Interstage Diaphragm (BRZ)	A7128-B12	1	A6550-10-B12	1	A7062-B12	1
127A	Seal Piping (Copper)	Q30-6-C6	36"	Q30-6-C6	36"	Q30-6-C6	36"
192	Retaining Ring (Steel)	Q27-55-E4	1	Q27-55-E4	1	Q27-56-E4	1

\* Double Wear Ring Construction



1310 Series with Seals & Water Cooled Thrust Bearings		1.5 JD	Qty.	2 JD	Qty.	3 JD	Qty.
1	Casing (Iron)	C7125-10-A2	1	C6547-10-A2	1	C7059-10-A2	1
2	Impeller - 1st Stage (BRZ)	C7488-B12	1	C6552-12-B12	1	C7060-B12	1
2	Impeller - 2nd Stage (BRZ)	C7127-B12	1	C6553-1-B12	1	C7061-B12	1
6	Shaft (Steel)	C7209-E22	1	C7209-E22	1	C7239-E22	1
7	Casing Ring (BRZ)	A5045-5-C9	2	A5042-2-C9	1	A5052-4-C9	2
7	Casing Ring (BRZ)			A5042-3-C9	1		
7	Casing Ring (BRZ)	A5045-4-C9	2	A5042-4-C9	2	A5052-1-C9	2
8	Impeller Ring (BRZ)	A5056-C9	2	A5053-1-C9	2	A5062-C9	2
14	Shaft Sleeve (416 SS)	B4100-6-J2	2	B4100-6-J2	2	B4205-3-J2	2
16	Inboard Bearing (Steel)	Q10-97-E4	1	Q10-97-E4	1	Q0-25-E4	1
17A	Seal Cap (Iron)	A6704-5-A2	2	A6704-5-A2	2	A6708-2-A2	2
18	Outboard Bearing (Steel)	Q10-9-E4	2	Q10-9-E4	2	Q10-12-E4	2
20	Shaft Sleeve Nut (BRZ)	A5348-C9	2	A5348-C9	2	A5354-C9	2
31	Inboard Bearing Housing (Iron)	479-1-A2	1	4479-1-A2	1	C4573-1-A2	1
32	Impeller Key (303 SS)	Q21-23-J8	1	Q21-23-J8	1	Q21-22-J8	1
33	Outboard Bearing Housing (Iron)	3783-2-A2	1	3783-2-A2	1	3798-2-A2	1
38	Shaft Sleeve Gasket (Lexide)	H1043-4-L14	2	H1043-4-L14	2	H1043-5-L14	2
38A	Impeller Hub Gasket	33705	1	33705	1	33706	1
40	Liquid Deflector (Rubber)	H1936-9-V11	2	H1936-9-V11	2	H1936-16-V11	2
41	Inboard Bearing Cap (Iron)	3783-3-A2	1	3783-3-A2	1	B5375-A2	1
43	Outboard Bearing Cap (Iron)	3783-3-A2	1	3783-3-A2	1	A4574-A2	1
63	Stuffing Box Bushing (BRZ)	A7198-C9	2	A7198-C9	2	A7199-C9	2
65 & 80	Mechanical Seal	Q26-217-Y35	2	Q26-217-Y35	2	Q26-180-Y35	2
68	Seal Collar (BRZ)	A5153-C9	2	A5153-C9	2	A5147-C9	2
73	Casing Gasket (Lexide)	C7311-2-L14	1	C6554-1-L14	1	C7145-1-L14	1
73A	Casing Gasket (Lexide)	C7312-2-L14	1	C6555-1-L14	1	C7146-1-L14	1
73D	Seal Cap Gasket (Lexide)	A6500-1-L14	2	A6500-1-L14	2	A6501-L14	2
109	Interstage Diaphragm (BRZ)	A7128-B12	1	A6550-10-B12	1	A7062-B12	1
127A	Seal Piping (Copper)	Q30-6-C6	36"	Q30-6-C6	36"	Q30-6-C6	36"
192	Retaining Ring (Steel)	Q27-55-E4	1	Q27-55-E4	1	Q27-56-E4	1

\* Double Wear Ring Construction