

Item No.	Name of Part	Material of Construction
1	Casing	Cast Iron
* 2	Impeller	Bronze
* 6	Shaft	No. 416 Stainless
11	Casing Cover	Cast Iron
* 16	Inboard Bearing	Steel
* 18	Outboard Bearing	Steel
19	Frame	Cast Iron
* 26	Impeller Screw	Stainless
40	Deflector (Liquid)	Neoprene
41	Bearing Cap	Cast Iron
†* 65	Mechanical Shaft Seal (Stationary Element)	Ni-Resist
* 73	Casing Gasket	Cork-Cellulose
†* 80	Mechanical Shaft Seal (Rotating Element)	Carbon
185	Spring Washer	Steel
* 192	Retaining Ring	Steel

† Furnished only in Pairs as complete units

* For domestic service we recommend these parts be carried in stock as spares
NOTE: All pumps have a maximum working pressure - 126 PSIG

* Recommended Spare Parts

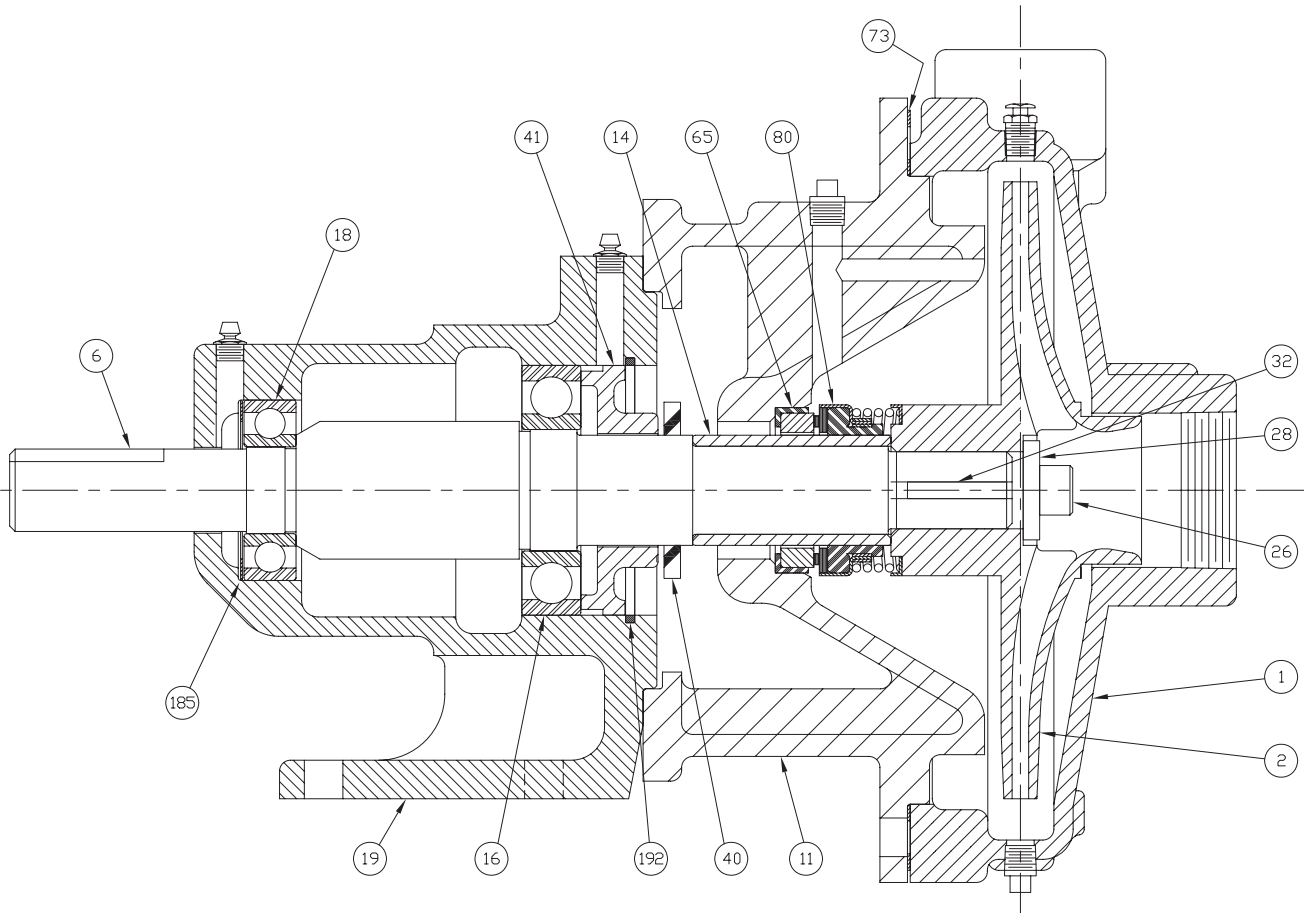
Assembly Parts

Type AC-BA6 & AE-BA6 Horizontal Pumps, No. BA6 Frame,
with Mechanical Shaft Seal - Bulletin Repair Parts - 200

WEINMAN®

www.cranepumps.com

Repair Parts



Item No.	Name of Part	Material of Construction
1	Casing	Cast Iron
* 2	Impeller	Bronze
* 6	Shaft	No. 416 Stainless
11	Casing Cover	Cast Iron
* 14	Shaft Sleeve	Bronze
* 16	Inboard Bearing	Steel
* 18	Outboard Bearing	Steel
19	Frame	Cast Iron
* 26	Impeller Screw	Stainless
* 28	Impeller Screw Washer	Stainless
* 32	Impeller Key	Stainless
40	Deflector (Liquid)	Neoprene
41	Bearing Cap	Cast Iron
†* 65	Mechanical Shaft Seal (Stationary Element)	Ni-Resist
* 73	Casing Gasket	Cork-Cellulose
†* 80	Mechanical Shaft Seal (Rotating Element)	Carbon
185	Spring Washer	Steel
* 192	Retaining Ring	Steel

† Furnished only in Pairs as complete units

* For domestic service we recommend these parts be carried in stock as spares

NOTE: All pumps have a maximum working pressure - 126 PSIG

* Recommended Spare Parts

SECTION RP
PAGE 12
DATE 9/10

CRANE
®

A Crane Co. Company

PUMPS & SYSTEMS

USA: (937) 778-8947 • Canada: (905) 457-6223 • International: (937) 615-3598

**4AC-B6 / 4AE-B6 / 6AC-B6 / 6AE-B6 / 8AC-B6
SHAFT GROUP 1**

200 Series		4AC-301FM	4AE-301FM	6AC-301FM	6AE-301FM	6AC-301FM	QTY.
1	Casing (Iron)	4167-1-A2	C5832-A2	4356-1-A2	C5838-A2	4384-1-A2	1
2	Impeller (BRZ)	B4764-2-B12	B5833-4-B12	B4828-5-B12	B5839-6-B12	B4839-3-B12	1
11	Casing Cover / Adapter (Iron)	4056-2-A2	C5826-2-A2	C4859-1-A2	C5826-2-A2	C4859-1-A2	1
*	Frame	6B-10	6B-10	6B-10	6B-10	6B-10	1
26	Impeller Screw (303 SS)	Q16-44-J8	Q16-44-J8	Q16-44-J8	Q16-44-J8	Q16-44-J8	1
28	Impeller Washer	21181-C	21181-C	21181-C	21181-C	21181-C	1
32	Impeller Screw	23793	23793	23793	23793	23793	1
73	Case Gasket (Cellulose)	A6551-L13	A6345-L13	H2267-1-L13	A6345-L13	H2267-1-L13	1
65 & 80	Mechanical Seal - 180	Q26-77-Y2	Q26-77-Y2	Q26-77-Y2	Q26-77-Y2	Q26-77-Y2	1
65 & 80	Mechanical Seal - 250	Q26-77-Y6	Q26-77-Y6	Q26-77-Y6	Q26-77-Y6	Q26-77-Y6	1
N.S.	Base	N/A	57028	57028	N/A	N/A	1
N.S.	Screw (SAE Grade 5)	Q15-20-E26	Q15-20-E26	Q15-20-E26	Q15-20-E26	N/A	4
N.S.	Screw (SAE Grade 5)	Q15-69-E26	N/A	N/A	N/A	N/A	4
N.S.	Screw (SAE Grade 5)	N/A	Q15-5-E26	N/A	Q15-5-E26	N/A	6
N.S.	Screw	N/A	N/A	00850	N/A	00850	8
N.S.	Stud (SAE Grade 5)	N/A	Q17-3-E26	Q17-3-E26	N/A	N/A	2
N.S.	Stud (SAE Grade 5)	N/A	Q17-4-E26	Q17-4-E26	N/A	N/A	2
N.S.	Nut (Steel)	Q18-41-E4	Q18-41-E4	Q18-41-E4	Q18-41-E4	Q18-41-E4	8
N.S.	Air Vent Valve (Brass)	Q24-3-C2	Q24-3-C2	N/A	Q24-3-C2	Q24-3-C2	1
N.S.	Plug	01691-A	01691-A	01691-A	01691-A	01691-A	2
N.S.	Plug	04236	N/A	04236	04236	04236	1
N.S.	Plug			04236			2
N.S.	Nipple (Steel)	Q29-69-E4	N/A	N/A	Q29-69-E4	N/A	1
N.S.	Nipple (Steel)	N/A	Q29-103-E4	Q29-103-E4	N/A	Q29-103-E4	1
N.S.	Coupling (Steel)	Q29-68-E4	Q29-68-E4	N/A	Q29-68-E4	Q29-68-E4	1
N.S.	Bushing (Steel)	N/A	N/A	N/A	N/A	Q29-52-E4	1

* See Below

BEARING FRAME for ACB & ACBA PUMPS

200 SERIES		6B-6	6B-6A	Quantity
6	Shaft (416 SS)	B8499-J2	B8648-E22	1
16	Inboard Bearing (Steel)	Q10-36-E4	Q10-7-E4	1
18	Outboard Bearing (Steel)	Q10-16-E4	Q10-8-E4	1
19	Frame (Iron)	C5844-10-A2	C5844-11-A2	1
40	Deflector (Neoprene)	H1936-7-K2	H1936-2-K2	1
41	Inboard Bearing Cover (Iron)	A5848-A2	A8647-A2	1
185	Spring Washer (Steel)	Q20-32-E4	Q20-32-E4	1
192	Snap Ring (Steel)	Q27-76-E4	Q27-109-E4	1
N.S.	Key (303 SS)	Q21-33-J8	Q21-39-J8	1
N.S.	Grease Fitting	Q32-20-E13	Q32-20-E13	2

4AE-BA6 / 6AC-BA6 / 6AE-BA6 / 8AC-BA6
SHAFT GROUP 2

	200 Series	4AE-401FM	6AC-401FM	6AE-401FM	8AC-401FM	Quantity
1	Casing (Iron)	C5832-A2	4356-1-A2	C5838-A2	4384-1-A2	1
2	Impeller (BRZ)	B5833-5-B12	C4828-4-B12	B5839-5-B12	B4839-4-B12	1
11	Casing Cover / Adapter (Iron)	C8486-A2	C8486-1-A2	C8486-A2	C8486-1-A2	1
14	Shaft Sleeve (BRZ)	A5782-C9	A5782-C9	A5782-C9	A5782-C9	1
*	Frame	6BA-10	6BA-10	6BA-10	6BA-10	1
26	Impeller Screw (302 SS)	Q60-2-J3	Q60-2-J3	Q60-2-J3	Q60-2-J3	1
28	Washer (302 SS)	A5090-J3	A5090-J3	A5090-J3	A5090-J3	1
32	Impeller Key (303 SS)	Q21-4-J8	Q21-4-J8	Q21-4-J8	Q21-4-J8	1
65 & 80	Mechanical Seal - STD	Q26-395-Y34	Q26-395-Y34	Q26-395-Y34	Q26-395-Y34	1
65 & 80	Mechanical Seal - Hot Water	Q26-395-Y6	26-395-Y6	26-395-Y6	26-395-Y6	1
73	Case Gasket (Cellulose)	A6345-L13	H2267-1-L13	A6345-L13	H2267-1-L13	1
N.S.	Screw (SAE Grade 5)	Q15-2-E26	Q15-2-E26	Q15-2-E26	Q15-2-E26	4
N.S.	Screw (SAE Grade 5)	Q15-20-E26	Q15-20-E26	Q15-20-E26	Q15-20-E26	4
N.S.	Screw (SAE Grade 5)	N/A	Q15-12-E26	N/A	Q15-12-E26	8
N.S.	Screw (SAE Grade 5)	Q15-5-E26	N/A	Q15-5-E26	N/A	6
N.S.	Nut (Steel)	Q18-41-E4	Q18-41-E4	Q18-41-E4	Q18-41-E4	4
N.S.	Air Vent Valve	Q24-3-C2	Q24-1-C2	Q24-3-C2	Q24-3-C2	1
N.S.	Plug	01691-A	N/A	01691-A	01691-A	2 1
N.S.	Plug	N/A	04236	04236	04236	3 1
N.S.	Bushing	N/A	N/A	N/A	N/A	1

* See Previous Page

SECTION RP
PAGE 14
DATE 2/09

CRANE[®]

A Crane Co. Company

PUMPS & SYSTEMS

USA: (937) 778-8947 • Canada: (905) 457-6223 • International: (937) 615-3598