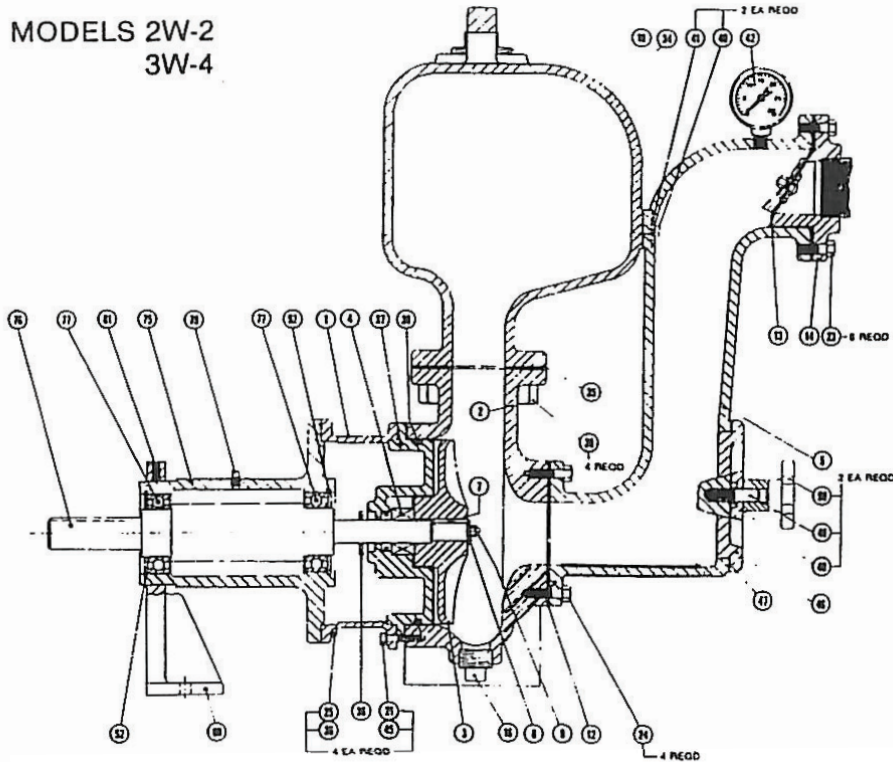
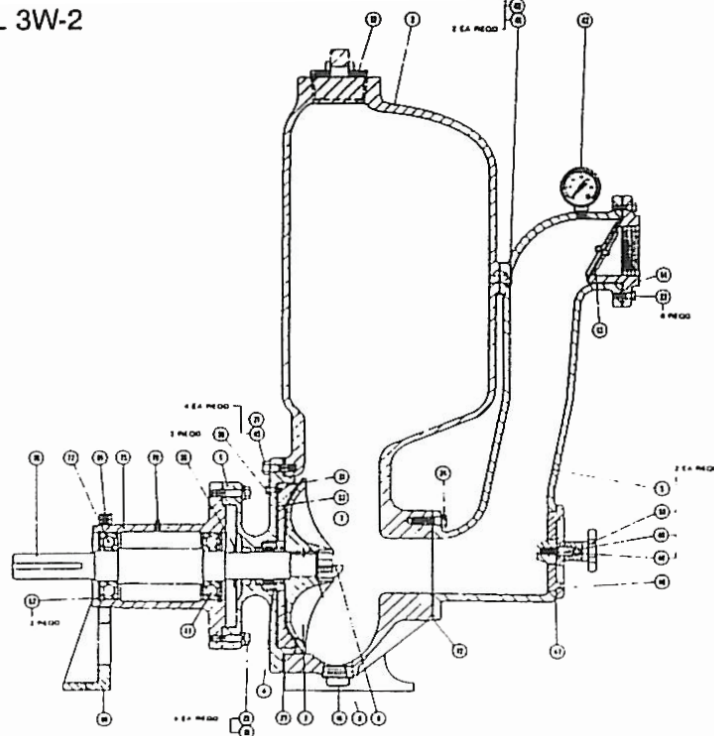


MODELS 2W-2  
3W-4



MODEL 3W-2



**WARNING:**  
CANCER AND REPRODUCTIVE HARM -  
[WWW.P65WARNINGS.CA.GOV](http://WWW.P65WARNINGS.CA.GOV)

# Parts List

Models 2W-2, 3W-4 and 3W-2  
Bulletin Repair Parts - 3300



www.cranepumps.com

## Repair Parts

Model			2W-2501 C.I.	2W-2502 S.S.	3W-2501 C.I.	3W-2502 S.S.	3W-4501 C.I.	3W-4502 S.S.
Ref. No.	Description	Qty.	Part No.		Part No.		Part No.	
1	Adapter	1	6621-1		6561-1		6621-1	
2	Body	1	6968-1		6521-1		6968-1	
3	Impeller	1	7062-1	7062-4	6562-1	6562-4	7062-1	7062-4
4	Mechanical Seal	1	6007-0	7841-0	6368-0	7842-0	6007-0	7841-0
5	Suction Fitting	1	6967-1		6522-1		6967-1	
7	Impeller Key	1	027965	6066-4	6283-6	6283-4	027965	6066-4
8	Flat Washer	1	6056-6	070320	6281-6	6281-4	070320	070320
9	Impeller Nut	1	525-00297		6282-4	8459-4	525-00297	
12	Gasket, Suct. Fit. to Body	1	6970-0		6527-0		6970-0	
13	Check Valve	1	6525		6525		6525	
14	Check Valve Seat	1	6969-1		6523-1		6523-1	
16	Drain Plug	1	26149		26149		26149	
19	Filler Plug	1	093161		093161		Q23-8-A2	
21	Bolt, Body to Adapter	4	029533		Q15-1-E26		029533	
23	Bolt, Seat to Suct. Fitting	8	029533		Q15-2-E26		029533	
24	Bolt, Suct. Fit. to Body (SAE Grade 5)	4	Q15-4-E26		Q15-2-E26		Q15-4-E26	
25	Bolt, Adapter to Housing	4	1-149-6		6174-6		1-149-6	
26	Lockwasher, Adapt. to Housing	4	6291-6		6291-6		6291-6	
27	Gasket, Body to Seal Plate	1	N/A		6459-0		N/A	
29	Shim, Suction Fit to Body	1	N/A		6526-0		N/A	
30	Bolt, Adapter to Wear plate (SAE Grade 5)	2	N/A		Q15-3-E26		N/A	
31	Wear plate	1	N/A		6564-1		N/A	
32	Shim, Wear plate	1	N/A		6565-5		N/A	
34	Tank, Body	1	6736-1		N/A		6736-1	
35	Gasket, Body to Tank	1	6740-0		N/A		6740-0	
36	Slinger (Rubber)	1	6445-0		H1936-3-K2		6445-0	
37	Seal Plate	1	6622-1		N/A		6622-1	
38	"O" Ring	1	6637-0		N/A		6637-0	
39	Bolt, Body to Tank (SAE Grade 5)	4	Q15-10-E26		N/A		Q15-10-E26	
40	Bolt, Suction to Tank (SAE Grade 5)	2	Q15-15-E26		Q15-33-E26		Q15-15-E26	
41	Washer, Suction to Tank	2	002603		6119-6		002603	
42	Vacuum Gauge	1	6815-0		6815-0		6815-0	
45	Lockwasher, Adapt. to Body	4	028408		N/A		028408	
46	Plate, Inspection	1	6686-1		6686-1		6686-1	
47	Gasket, Inspection Plate	1	6687-0		6687-0		6687-0	
48	Stud	2	6672-6		6672-6		6672-6	
49	Pin, Roll	2	6619-6		6619-6		6619-6	
50	Handle, Knob	2	6673-1		6673-1		6673-1	
52	Snap Ring	2	0033259		6415-6		0033259	
75	Bearing Housing	1	6745-1		6379-1		6745-1	
76	Drive Shaft	1	6086-6	6086-4	6380-6	6380-4	6086-6	6086-4
77	Ball Bearing	2	6411-0		6416-0		6411-0	
79	Plug	1	0002553		0002553		0002553	
80	Bracket, Support	1	6602-1		6487-1		6602-1	
81	Set Screw (Steel)	1	Q16-8-E4		Q16-8-E4		Q16-8-E4	

N/A - Not Applicable

SECTION RP  
PAGE 260  
DATE 2/09



A Crane Co. Company

PUMPS & SYSTEMS

USA: (937) 778-8947 • Canada: (905) 457-6223 • International: (937) 615-3598



# Parts List

Models 2WS-2, 3WS-4 and 3WS-5  
Bulletin Repair Parts - 3300



www.cranepumps.com

## Repair Parts

Model			2WS-2501	2WS-2502	3WS-4501	3W-4502	3WS-5501	3WS-5502
			C.I.	S.S.	C.I.	S.S.	C.I.	S.S.
Ref. No.	Description	Qty.	Part No.		Part No.		Part No.	
1	Adapter	1	6621-1		6621-1		66621-1	
2	Body	1	6968-1		6968-1		7433-1	
3	Impeller	1	7062-1	7062-4	7062-1	7062-4	7431-1	7431-4
4	Mechanical Seal	1	027965	7841-0	6007-0	7841-0	6007-0	7841-0
7	Impeller Key	1	027965		027965	6066-4	027965	6066-4
8	Flat Washer	1	070320	6056-6	070320		6056-6	070320
9	Impeller Nut	1	525-00297		525-00297		525-00297	
12	Gasket, Suct. Fit. to Body	1	6970-0		6970-0		7568-0	
13	Check Valve (SAE Grade 5)	1	Q15-4-E26		Q15-4-E26		Q15-34-E26	
14	Check Valve Seat	1	002610		002610		002610	
16	Drain Plug	1	16250		26149		26149	
21	Bolt, Body to Adapter	4	029533		029533		029533	
25	Bolt, Adapter to Housing	4	1-146-6		1-149-6		1-149-6	
26	Lockwasher, Adapt. to Housing	4	6291-6		6291-6		6291-6	
27	Gasket, Body to Seal Plate	1	6740-0		N/A		N/A	
28	Bolt, Body to Spool (SAE Grade 5)		Q15-25-E26		N/A		N/A	
29	Shim, Suction Fit to Body	1	Q18-2-E4		N/A		N/A	
30	Bolt, Adapter to Wear plate	2	002610		N/A		N/A	
31	Wear plate (SAE Grade 5)	1	Q15-10-E26		N/A		N/A	
32	Shim, Wear plate	1	6740-0		6740-0		7568-0	
33	Bolt, Spool Body to Disch. Flange (SAE Grade 5)		Q15-25-E26		Q15-25-E26		Q15-34-E26	
34	Tank, Body (Steel)	1	Q18-2-E4		Q18-2-E4		Q18-2-E4	
35	Gasket, Body to Tank	1	002610		002610		002610	
36	Slinger	1	6445-0		6445-0		6445-0	
37	Seal Plate	1	6622-1		6622-1		6622-1	
38	"O" Ring	1	6637-0		6637-0		6637-1	
40	Bolt, Suction to Tank	2	7575-1		N/A		N/A	
45	Lockwasher, Adapt. to Body	4	028408		028408		028408	
51	Impeller Shim		7922-4		7922-4		7922-4	
52	Retainer Ring	2	0033259		0033259		0033259	
72	Suction Flange		7563-1		625-02121		625-02121	
75	Bearing Housing	1	6745-1		6745-1		6745-1	
76	Drive Shaft	1	6086-6	6086-4	6380-6	6086-4	6086-6	6086-4
77	Ball Bearing	2	6411-0		6411-0		6411-1	
79	Plug	1	0002553		0002553		0002553	
80	Bracket, Support	1	6602-1		6602-1		6602-1	
81	Set Screw (Steel)	1	Q16-8-E4		Q16-8-E4		Q16-8-E4	
83	Discharge Flange	1	Q37-9-A2		7650-1		625-02121	

N/A - Not Applicable

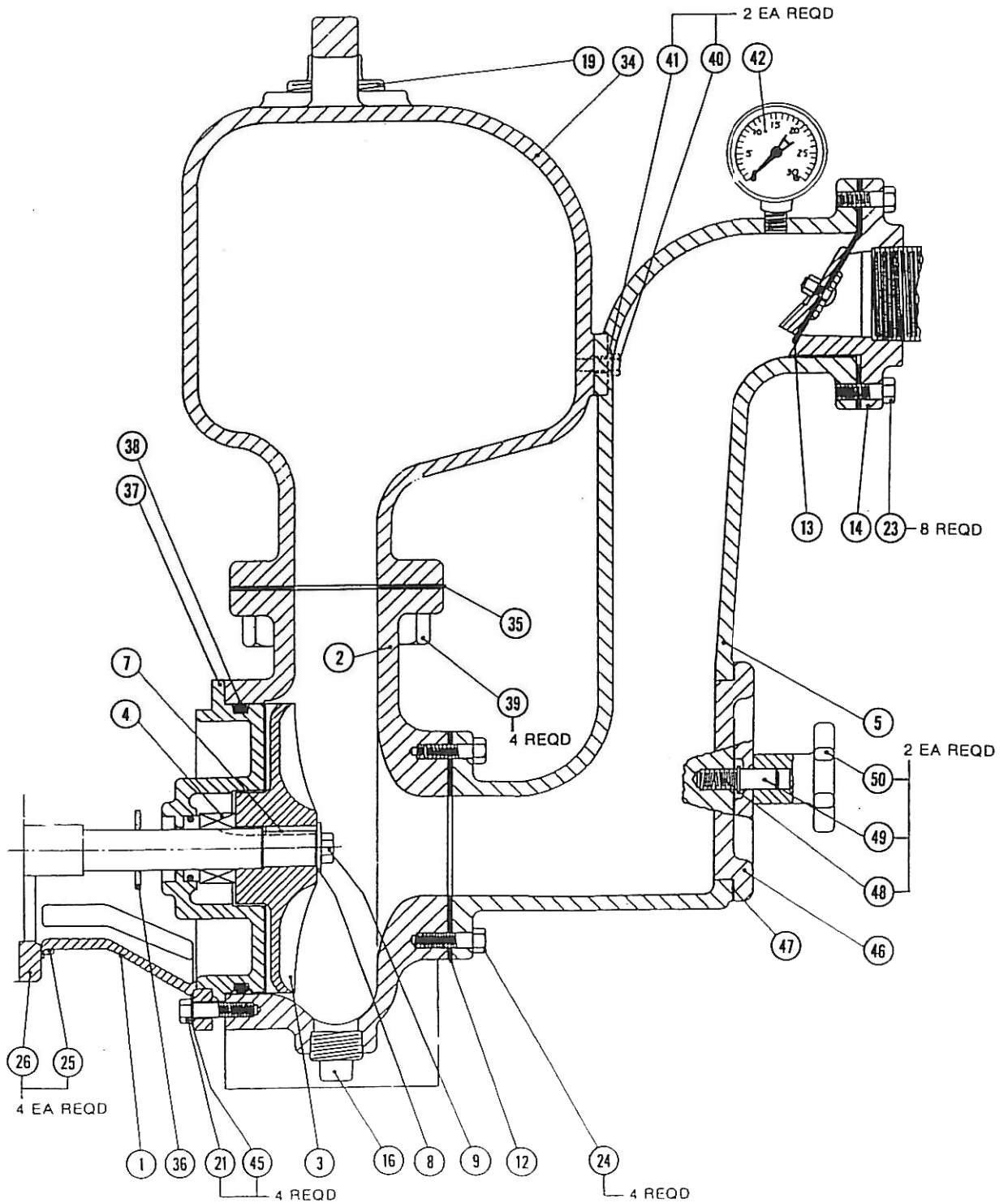
SECTION RP  
PAGE 262  
DATE 2/09



A Crane Co. Company

PUMPS & SYSTEMS

USA: (937) 778-8947 • Canada: (905) 457-6223 • International: (937) 615-3598



**WARNING:**  
 CANCER AND REPRODUCTIVE HARM -  
 WWW.P65WARNINGS.CA.GOV

# Parts List

Models 2WC and 3WC  
Bulletin Repair Parts - 3300



www.cranepumps.com

## Repair Parts

Model			2WC-2501 C.I.	2WC-2502 S.S.	3WC-4501 C.I.	3WC-4502 S.S.
Ref. No.	Description	Qty.	Part No.		Part No.	
1	Adapter	1	7646-1		7646-1	
2	Body	1	6968-1		6968-1	
3	Impeller	1	7647-1	7647-4	7647-1	7647-4
4	Mechanical Seal	1	6007-0	7841-0	6007-0	7841-0
5	Suction Fitting	1	6967-1		6967-1	
7	Impeller Key (303 SS)	1	Q21-4-J8		Q21-4-J8	
8	Flat Washer (302 SS)	1	A5090-J3	20-6-6	20-6-6	
9	Impeller Nut (SAE Grade 5)	1	Q15-2-E26		Q15-2-E26	
12	Gasket, Suct. Fit. to Body	1	6970-0		6970-0	
13	Check Valve	1	6525-0		6525-0	
14	Check Valve Seat	1	6969-1		6523-1	
16	Drain Plug	1	26149		N/A	
19	Filler Plug	1	093161		Q23-8-A2	
21	Bolt, Body to Adapter	4	029533		029533	
23	Bolt	8	029533		029533	
24	Bolt, Suction Fit to Body (SAE Grade 5)	4	Q15-4-E26		Q15-4-E26	
25	Bolt, Adapter to Housing (SAE Grade 5)	4	Q15-2-E26		Q15-2-E26	
26	Lockwasher, Adapt. to Housing	4	028408		028408	
34	Tank, Body	1	6736-1		6736-1	
35	Gasket, Body to Tank	1	6740-0		6740-0	
36	Slinger	1	6445-0		6445-0	
37	Seal Plate	1	6622-1		6622-1	
38	"O" Ring	1	6637-0		6637-0	
39	Bolt, Body to Tank (SAE Grade 5)	4	Q15-10-E26		Q15-10-E26	
40	Bolt, Suction to Tank (SAE Grade 5)	2	Q15-15-E26		Q15-15-E26	
41	Washer, Suction to Tank	2	002603		002603	
42	Vacuum Gauge	1	6815-0		6815-0	
45	Lockwasher, Adapt. to Body	4	028408		028408	
46	Inspection Plate	1	6686-1		6686-1	
47	Inspection Pit Gasket	1	6687-0		6687-0	
48	Stud	2	6672-6		6672-6	
49	Roll Pin	2	6619-6		6619-6	
50	Knob Handle	2	6673-1		6673-1	

N/A - Not Applicable

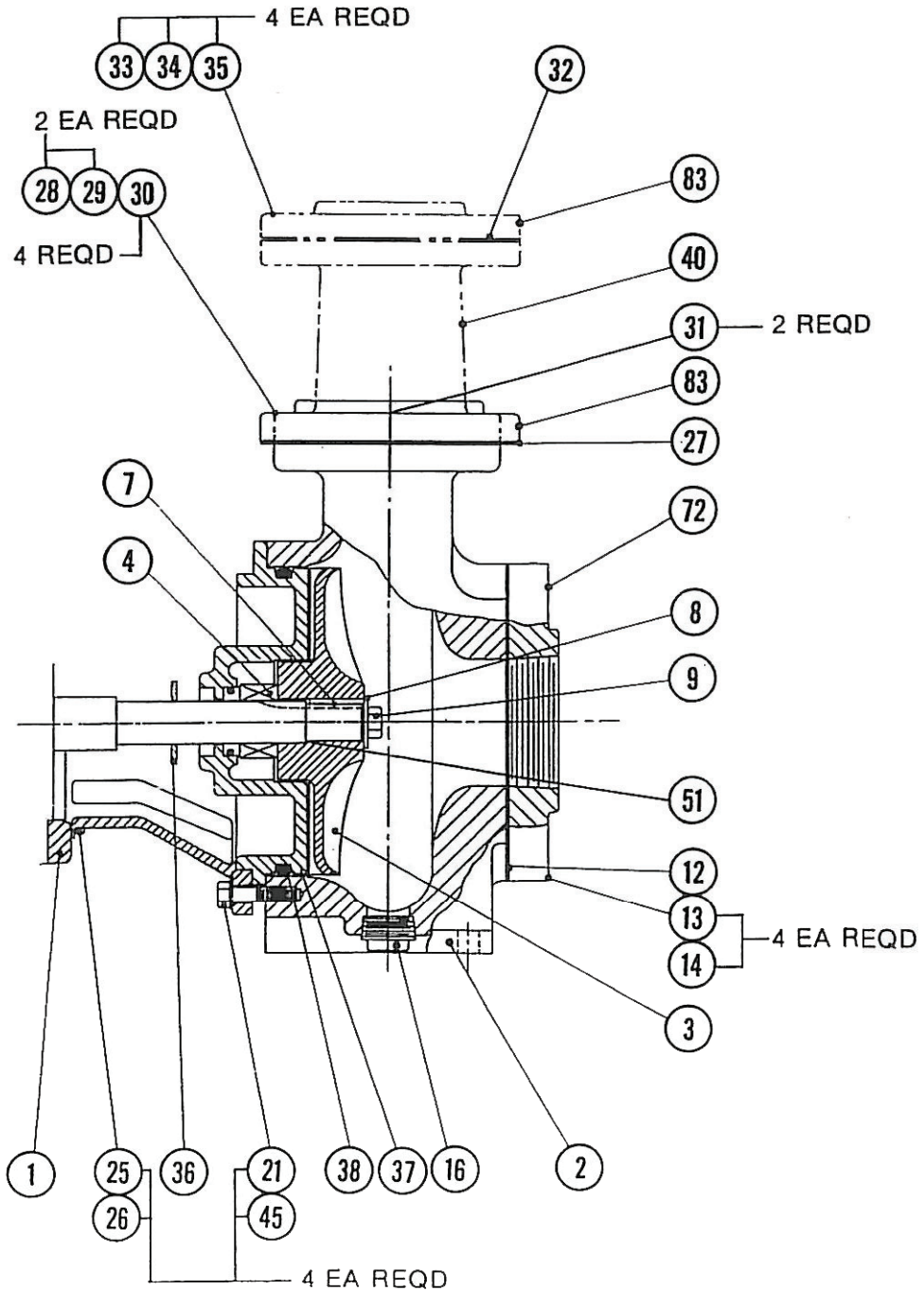
SECTION RP  
PAGE 264  
DATE 7/10



A Crane Co. Company

PUMPS & SYSTEMS

USA: (937) 778-8947 • Canada: (905) 457-6223 • International: (937) 615-3598



**WARNING:**  
CANCER AND REPRODUCTIVE HARM -  
[WWW.P65WARNINGS.CA.GOV](http://WWW.P65WARNINGS.CA.GOV)

# Parts List

Models 2WSC and 3WSC  
Bulletin Repair Parts - 3300



www.cranepumps.com

## Repair Parts

Model			2WSC-2501 C.I.	2WSC-2502 S.S.	3WSC-4501 C.I.	3WSC-4502 S.S.
Ref. No.	Description	Qty.	Part No.		Part No.	
1	Adapter	1	7646-1		7646-1	
2	Body	1	6968-1		6968-1	
3	Impeller	1	7647-1	7647-4	7647-1	7647-4
4	Mechanical Seal	1	6007-0	7841-0	6007-0	7841-0
7	Impeller Key (303 SS)	1	Q21-4-J8		Q21-4-J8	
8	Flat Washer (302 SS)	1	20-6-6	A5090-J3	20-6-6	A5090-J3
9	Impeller Nut (SAE Grade 5)	1	Q15-2-E26		Q15-2-E26	
12	Gasket, Suct. Fit. to Body	1	6970-0		6970-0	
13	Bolt, Body to Suction Flange (SAE Grade 5)	1	Q15-4-E26		Q15-4-E26	
14	Lockwasher, Body to Suct. Flg.	1	002610		002610	
16	Drain Plug	1	16250		26149	
21	Bolt, Body to Adapter	4	029533		029533	
25	Bolt, Adapter to Housing (SAE Grade 5)	4	Q15-2-E26		Q15-2-E26	
26	Lockwasher, Adapt. to Housing	4	028408		028408	
27	Gasket, Body to Spool	1	6740-0		N/A	
28	Bolt, Body to Spool (SAE Grade 5)	2	Q15-25-E26		N/A	
29	Nut, Body to Spool (Steel)	2	Q18-2-E4		N/A	
30	Lockwasher, Body to Spool	4	002610		N/A	
31	Bolt, Body to Spool/Disch. Flg. (SAE Grade 5)	2	Q15-10-E26		Q15-10-E26	
32	Gasket, Spool Body to Disch. Flg.	1	6740-0		6740-0	
33	Bolt, Spool Body to Disch. Flg. (SAE Grade 5)	4	Q15-25-E26		Q15-25-E26	
34	Nut, Spool Body to Disch. Flg. (Steel)	4	Q18-2-E4		Q18-2-E4	
35	Lockwasher, Body to Disch. Flg.	4	002610		002610	
36	Slinger	1	6445-0		6445-0	
37	Seal Plate	1	6622-1		6622-1	
38	"O" Ring	1	6637-0		6637-0	
40	Spool, Body to Discharge Flg.	1	7575-1		N/A	
45	Lockwasher, Adapt. to Body	4	028408		028408	
51	Shim, Impeller	1	7922-4		7922-4	
72	Flange, Suction	1	7563-1		625-02121	
83	Flange, Discharge (Iron)	1	Q37-9-A2		7650-1	

N/A - Not Applicable

SECTION RP  
PAGE 266  
DATE 7/10

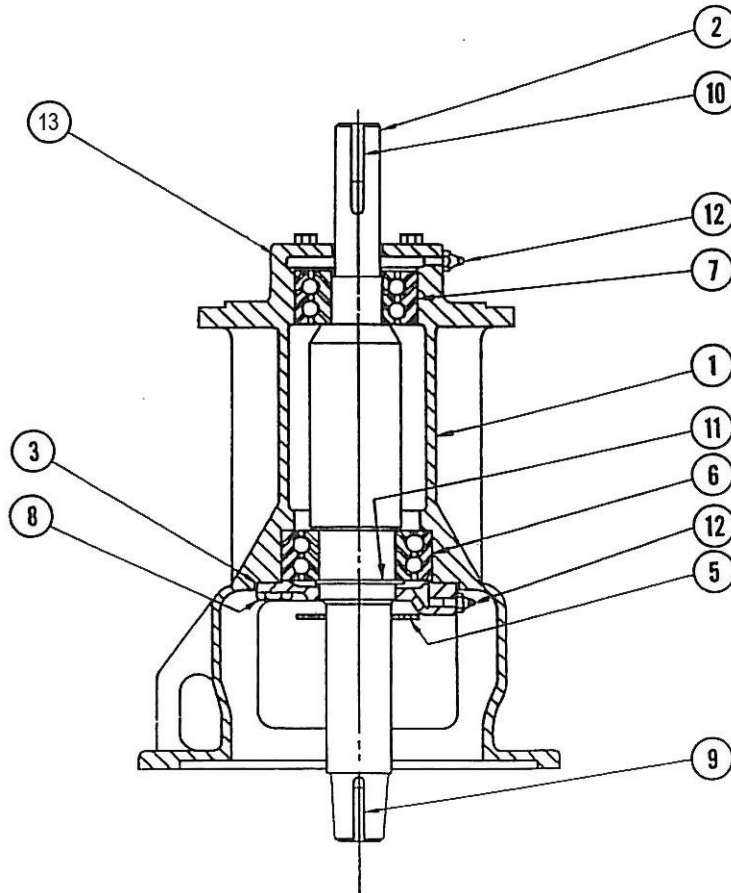


A Crane Co. Company

PUMPS & SYSTEMS

USA: (937) 778-8947 • Canada: (905) 457-6223 • International: (937) 615-3598





**WARNING:**  
CANCER AND REPRODUCTIVE HARM -  
[WWW.P65WARNINGS.CA.GOV](http://WWW.P65WARNINGS.CA.GOV)

## Parts List

Bearing Frame Assembly  
Bulletin Repair Parts - 3300

# WEINMAN®

www.cranepumps.com

## Repair Parts

Model			G01 - Standard Fitted	G02 - Stainless Steel Fitted
Ref. No.	Description	Qty.	Part No.	Part No.
1	Frame	1	326070P01	326070P01
2	Shaft, Tapered	1	326068P01	326068P02
3	Thrust Bearing Cap (Iron)	1	B6055-4-A2	B6055-4-A2
5	Deflector (Rubber)	1	H1936-11-K2	H1936-11-K2
6	Thrust Bearing	1	M-2949	M-2949
7	Radial Bearing	1	M-2654	M-2654
8	Cap Screw - Bearing Cap	10	01928	01928
9	Key, Impeller (303 SS)	1	Q21-56-J8	Q21-56-J8
10	Key, Coupling (303 SS)	1	Q21-16-J8	Q21-16-J8
11	Snap Ring (Steel)	1	Q27-115-E4	Q27-115-E4
12	Grease Fitting	2	Q32-20-E13	Q32-20-E13
13	Bearing Cover (Iron)	1	A4162-A2	A4162-A2

When ordering specify G01 or G02

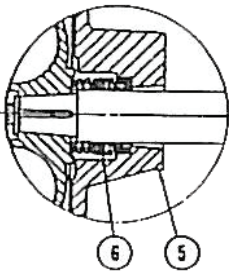
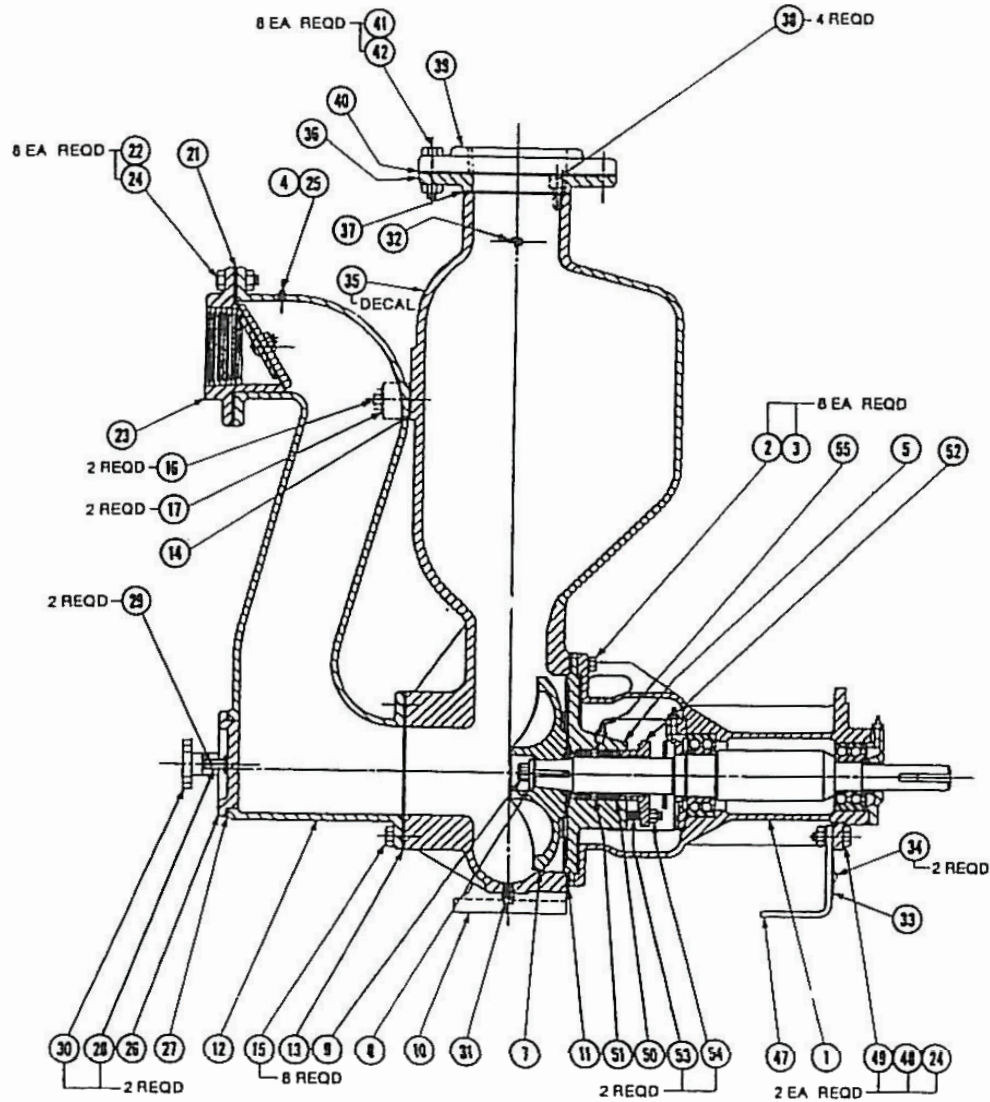
SECTION RP  
PAGE 268  
DATE 7/10

**CRANE**<sup>®</sup>

A Crane Co. Company

**PUMPS & SYSTEMS**

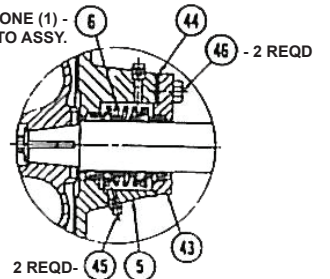
USA: (937) 778-8947 • Canada: (905) 457-6223 • International: (937) 615-3598



Single Mechanical Seal

4W-8515	Double Mechanical Seal, SS Fitted
4W-8514	Single Mechanical Seal, SS Fitted
4W-8513	Packing Gland, SS Fitted
4W-8512	Double Mechanical Seal
4W-8511	Single Mechanical Seal
4W-8510	Packing Gland

DISCARD ONE (1) - SPRING PRIOR TO ASSY.



Double Mechanical Seal



**WARNING:**  
CANCER AND REPRODUCTIVE HARM -  
[WWW.P65WARNINGS.CA.GOV](http://WWW.P65WARNINGS.CA.GOV)

# Parts List

Model 4W-8  
Bulletin Repair Parts - 3300



www.cranepumps.com

## Repair Parts

Model			4W-8510	4W-8513	4W-8511	4W-8514	4W-8512	4W-8515
Ref. No.	Description	Qty.	Part No.		Part No.		Part No.	
1	Bearing Frame Assy	1	326069G01	326069G02	326069G01	326069G02	326069G01	326069G02
2	Bolt, Frame to Body (SAE Grade 5)	8	Q15-21-E26		Q15-21-E26		Q15-21-E26	
3	Lockwasher	8	002608		002608		002608	
4	Gage, Vacuum	1	6815-0		6815-0		6815-0	
5	Seal Plate	1	326083P01		326084P01		326085P01	
6	Mechanical Seal	1	N/A		6428-0		* 326096P01	
7	Impeller	1	326080P01	326080P02	326080P01	326080P02	326080P01	326080P02
8	Washer, Impeller	1	321811P16		321811P16		321811P16	
9	Screw, Socket Head Cap (302 SS)	1	Q60-7-J3		Q60-7-J3		Q60-7-J3	
10	Body	1	6685-1		6685-1		6685-1	
11	Gasket, Body	1	6459-0		6459-0		6459-0	
12	Fitting Suction	1	6458-1		6458-1		6458-1	
13	Gasket, Suction	1	6456-0		6456-0		6456-0	
14	Shim, Suction to Tank	1	6468-0		6468-0		6468-0	
15	Bolt, Suction to Body (SAE Grade 5)	8	Q15-4-E26		Q15-4-E26		Q15-4-E26	
16	Bolt, Suction to Tank (SAE Grade 5)	2	Q15-69-E26		Q15-69-E26		Q15-69-E26	
17	Flat Washer (Steel)	2	Q20-11-E4		Q20-11-E4		Q20-11-E4	
21	Check Valve Assembly	1	6455		6455		6455	
22	Bolt, Check Valve Assembly (SAE Grade 5)	8	Q15-7-E26		Q15-7-E26		Q15-7-E26	
23	Seat, Check Valve	1	6452-1		6452-1		6452-1	
24	Nut, Hex Head (Steel)	10	Q18-8-E4		Q18-8-E4		Q18-8-E4	
25	Pipe Plug	1	003217		003217		003217	
26	Inspection Plate	1	6686-1		6686-1		6686-1	
27	Inspection Plate Gasket	1	6687-0		6687-0		6687-0	
28	Inspection Plate Stud	2	6672-6		6672-6		6672-6	
29	Pin Roll	2	6619-6		6619-6		6619-6	
30	Knob, Handle	2	6673-1		6673-1		6673-1	
31	Plug, Drain	1	27743		27743		27743	
32	Plug, Pipe	1	003207		003207		003207	
33	Nameplate	1	326092P01		326092P01		326092P01	
34	Screw, Drive	2	320048P13		320048P13		320048P13	
35	Decal, Midwhirl	1	N/A		N/A		N/A	
36	Flange, Body	1	6682-1		6682-1		6682-1	
37	Gasket, Flange	1	6693-0		6693-0		6693-0	
38	Screw, Flange to Body (SAE Grade 5)	4	Q15-74-E26		Q15-74-E26		Q15-74-E26	
39	Flange, Companion Reducing	1	8237-1		8237-1		8237-1	
40	Gasket, Companion Flange	1	6430-0		6430-0		6430-0	
41	Bolt, Companion Flange (SAE Grade 5)	8	Q15-35-E26		Q15-35-E26		Q15-35-E26	
42	Nut, Companion Flange (Steel)	8	Q18-3-E4		Q18-3-E4		Q18-3-E4	
43	Seal Retainer	1	N/A		N/A		326086P01	
44	Gasket, Retainer	1	N/A		N/A		326087P01	
45	Plug, Pipe	2	N/A		N/A		0002553	
46	Bolt, Hex Head (SAE Grade 5)	2	N/A		N/A		Q15-9-E26	
47	Bracket, Support	1	8308-6		8308-6		8308-6	
48	Lockwasher	2	028408		028408		028408	
49	Bolt, Hex Head	2	029533		029533		029533	
50	Packing	1	Q27-117-M2		N/A		N/A	
51	Lantern Ring (Teflon)	1	A5356-V2		N/A		N/A	
52	Gland (BRZ)	1	A5199-B12		N/A		N/A	
53	Stud, Lantern Ring (SAE Grade 5)	2	Q17-1-E26		N/A		N/A	
54	Nut, Stud (Steel)	2	Q18-1-E4		N/A		N/A	
55	Grease Fittings	1	Q32-20-E13		N/A		N/A	

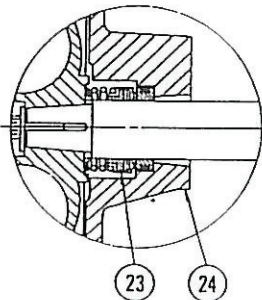
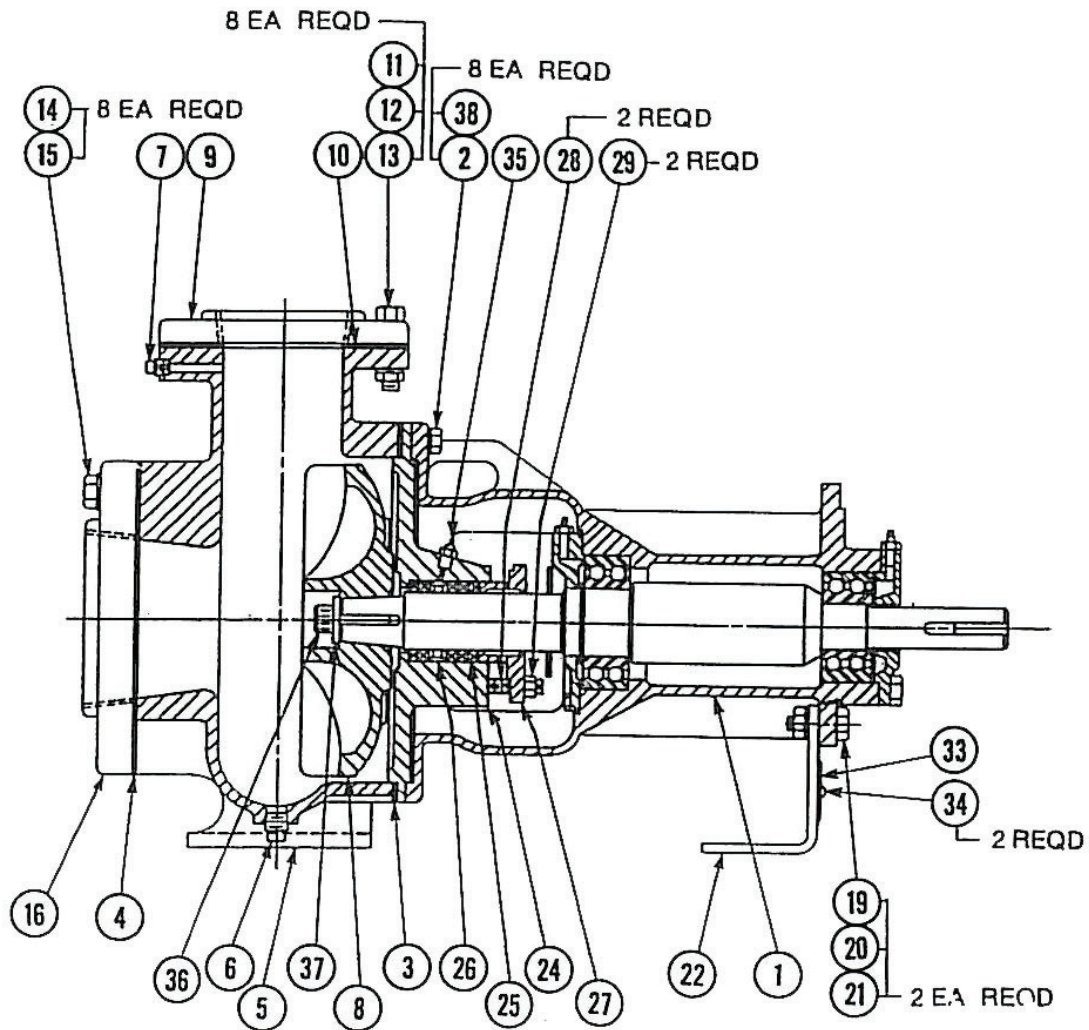
SECTION RP  
PAGE 270  
DATE 7/10



A Crane Co. Company

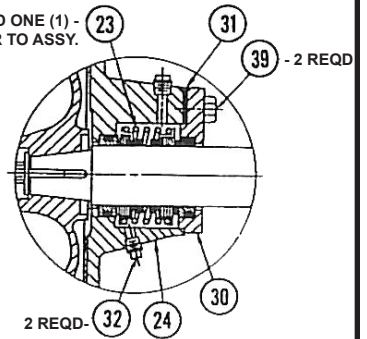
PUMPS & SYSTEMS

USA: (937) 778-8947 • Canada: (905) 457-6223 • International: (937) 615-3598



Single Mechanical Seal

DISCARD ONE (1) - SPRING PRIOR TO ASSY.



Double Mechanical Seal

4WS-3515	Double Mechanical Seal, SS Fitted
4WS-3514	Single Mechanical Seal, SS Fitted
4WS-3513	Packing Gland, SS Fitted
4WS-3512	Double Mechanical Seal
4WS-3511	Single Mechanical Seal
4WS-3510	Packing Gland



**WARNING:**  
CANCER AND REPRODUCTIVE HARM -  
[WWW.P65WARNINGS.CA.GOV](http://WWW.P65WARNINGS.CA.GOV)

# Parts List

Model 4WS-3  
Bulletin Repair Parts - 3300



www.cranepumps.com

## Repair Parts

Model			4WS-3510	4WS-3513	4WS-3511	4WS-3514	4WS-3512	4WS-3515
Ref. No.	Description	Qty.	Part No.		Part No.		Part No.	
1	Bearing Frame Assembly	1	326069G01	326069G02	326069G01	326069G02	326069G01	326069G02
2	Bolt, Frame to Body (SAE Grade 5)	8	Q15-21-E26		Q15-21-E26		Q15-21-E26	
3	Gasket, Body to Seal Plate	1	6459-0		6459-0		6459-0	
4	Gasket, Suction to Body	1	6430-0		6430-0		6430-0	
5	Body	1	7059-1		7059-1		7059-1	
6	Plug, Drain	1	003204		003204		003204	
7	Plug	1	003217		003217		003217	
8	Impeller	1	326080P01	326080P02	326080P01	326080P02	326080P01	326080P02
9	Flange, Companion Discharge	1	7642-1		7642-1		7642-1	
10	Gasket, Discharge to Body	1	7643-0		7643-0		7643-0	
11	Bolt, Hex Head (SAE Grade 5)	8	Q15-34-E26		Q15-34-E26		Q15-34-E26	
12	Nut, Hex (Steel)	8	Q18-2-E4		Q18-2-E4		Q18-2-E4	
13	Lockwasher	8	002610		002610		002610	
14	Bolt, Suction to Flange (SAE Grade 5)	8	Q15-29-E26		Q15-29-E26		Q15-29-E26	
15	Lockwasher, Suction to Flange	8	20-16-6		20-16-6		20-16-6	
16	Flange, Reducing Suction	1	8237-1		8237-1		8237-1	
19	Bolt, Mounting	2	029533		029533		029533	
20	Nut, Hex	2	15-23-6		15-23-6		15-23-6	
21	Lockwasher	2	028408		028408		028408	
22	Bracket, Support	1	328445P01		328445P01		328445P01	
23	Mechanical Seal	1	N/A		6428-0		* 326096P01	
24	Seal Plate	1	326083P01		326084P01		326085P01	
25	Packing	1	Q27-117-M2		N/A		N/A	
26	Lantern Ring (Teflon)	1	A5356-V2		N/A		N/A	
27	Gland (BRZ)	1	A5199-B12		N/A		N/A	
28	Stud, Lantern Ring (SAE Grade 5)	2	Q17-1-E26		N/A		N/A	
29	Nut, Stud (Steel)	2	Q18-1-E4		N/A		N/A	
30	Seal Retainer	1	N/A		N/A		326086P01	
31	Gasket, Retainer	1	N/A		N/A		326087P01	
32	Pipe Plug	2	N/A		N/A		0002553	
33	Nameplate	1	326092P01		326092P01		326092P01	
34	Screw, Drive	2	320048P13		320048P13		320048P13	
35	Grease Fitting	1	Q32-20-E13		N/A		N/A	
36	Screw, Socket Head Cap (302 SS)	1	Q60-7-J3		Q60-7-J3		Q60-7-J3	
37	Washer, Impeller	1	321811P16		321811P16		321811P16	
38	Lockwasher	8	002608		002608		002608	
39	Bolt, Hex Head (SAE Grade 5)	2	N/A		N/A		Q15-9-E26	

N/A - Not Applicable

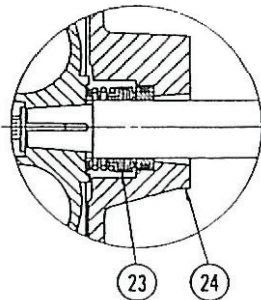
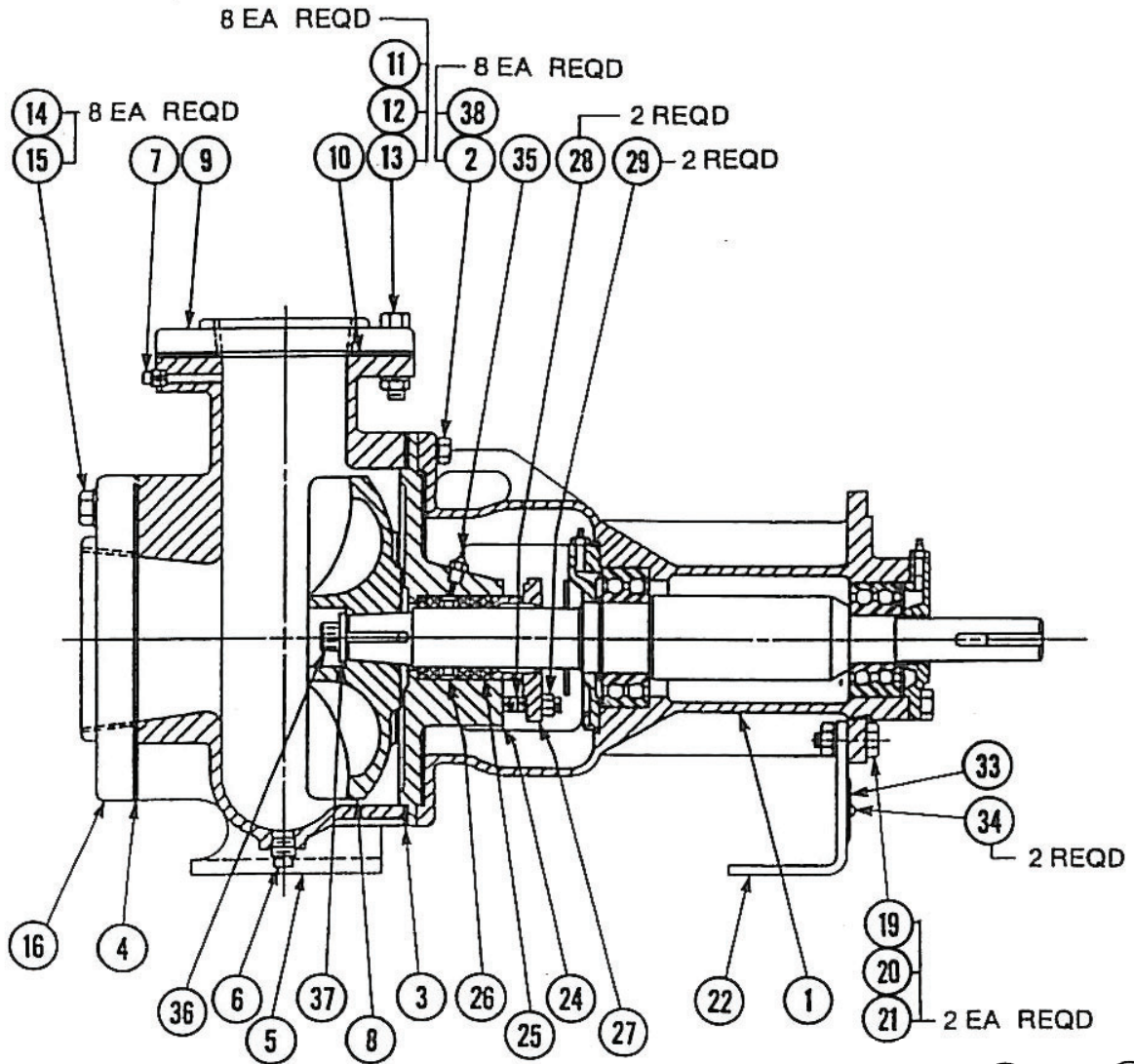
SECTION RP  
PAGE 272  
DATE 7/10



A Crane Co. Company

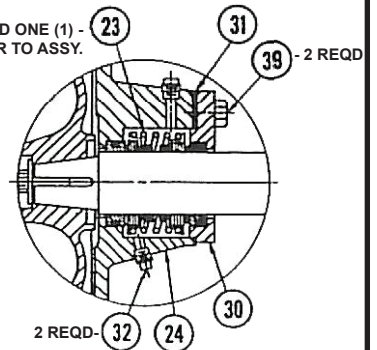
PUMPS & SYSTEMS

USA: (937) 778-8947 • Canada: (905) 457-6223 • International: (937) 615-3598



Single Mechanical Seal

DISCARD ONE (1) - SPRING PRIOR TO ASSY.



Double Mechanical Seal

4WS-4515	Double Mechanical Seal, SS Fitted
4WS-4514	Single Mechanical Seal, SS Fitted
4WS-4513	Packing Gland, SS Fitted
4WS-4512	Double Mechanical Seal
4WS-4511	Single Mechanical Seal
4WS-4510	Packing Gland



**WARNING:**  
CANCER AND REPRODUCTIVE HARM -  
WWW.P65WARNINGS.CA.GOV

# Parts List

Model 4WS-4  
Bulletin Repair Parts - 3300



www.cranepumps.com

## Repair Parts

Model			4WS-4510	4WS-4513	4WS-4511	4WS-4514	4WS-4512	4WS-4515
Ref. No.	Description	Qty.	Part No.		Part No.		Part No.	
1	Bearing Frame Assembly	1	326069G01	326069G02	326069G01	326069G02	326069G01	326069G02
2	Bolt, Frame to Body (SAE Grade 5)	8	Q15-21-E26		Q15-21-E26		Q15-21-E26	
3	Gasket, Body to Seal Plate	1	6459-0		6459-0		6459-0	
4	Gasket, Suction to Body	1	6430-0		6430-0		6430-0	
5	Body	1	7059-1		7059-1		7059-1	
6	Plug, Drain	1	003204		003204		003204	
7	Plug	1	003217		003217		003217	
8	Impeller	1	326195P01	326195P02	326195P01	326195P02	326195P01	326195P02
9	Flange, Companion Discharge	1	7642-1		7642-1		7642-1	
10	Gasket, Discharge to Body	1	7643-0		7643-0		7643-0	
11	Bolt, Hex Head (SAE Grade 5)	8	Q15-34-E26		Q15-34-E26		Q15-34-E26	
12	Nut, Hex (Steel)	8	Q18-2-E4		Q18-2-E4		Q18-2-E4	
13	Lockwasher	8	002610		002610		002610	
14	Bolt, Suction to Flange (SAE Grade 5)	8	Q15-29-E26		Q15-29-E26		Q15-29-E26	
15	Lockwasher, Suction to Flange	8	20-16-6		20-16-6		20-16-6	
16	Flange, Reducing Suction	1	8237-1		8237-1		8237-1	
19	Bolt, Mounting	2	029533		029533		029533	
20	Nut, Hex	2	15-23-6		15-23-6		15-23-6	
21	Lockwasher	2	028408		028408		028408	
22	Bracket, Support	1	328445P01		328445		328445P01	
23	Mechanical Seal	1	N/A		6428-0		* 326096P01	
24	Seal Plate	1	326083P01		326084P01		326085P01	
25	Packing	1	Q27-117-M2		N/A		N/A	
26	Lantern Ring (Teflon)	1	A5356-V2		N/A		N/A	
27	Gland (BRZ)	1	A5199-B12		N/A		N/A	
28	Stud, Lantern Ring (SAE Grade 5)	2	Q17-1-E26		N/A		N/A	
29	Nut, Stud (Steel)	2	Q18-1-E4		N/A		N/A	
30	Seal Retainer	1	N/A		N/A		326086P01	
31	Gasket, Retainer	1	N/A		N/A		326087P01	
32	Pipe Plug	2	N/A		N/A		0002553	
33	Nameplate	1	326092P01		326092P01		326092P01	
34	Screw, Drive	2	320048P13		320048P13		320048P13	
35	Grease Fitting	1	Q32-20-E13		N/A		N/A	
36	Screw, Socket Head Cap (302 SS)	1	Q60-7-J3		Q60-7-J3		Q60-7-J3	
37	Washer, Impeller	1	321811P16		321811P16		321811P16	
38	Lockwasher	8	002608		002608		002608	
39	Bolt, Hex Head (SAE Grade 5)	2	N/A		N/A		Q15-9-E26	

N/A - Not Applicable

SECTION RP  
PAGE 274  
DATE 7/10

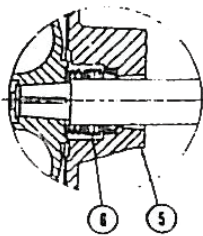
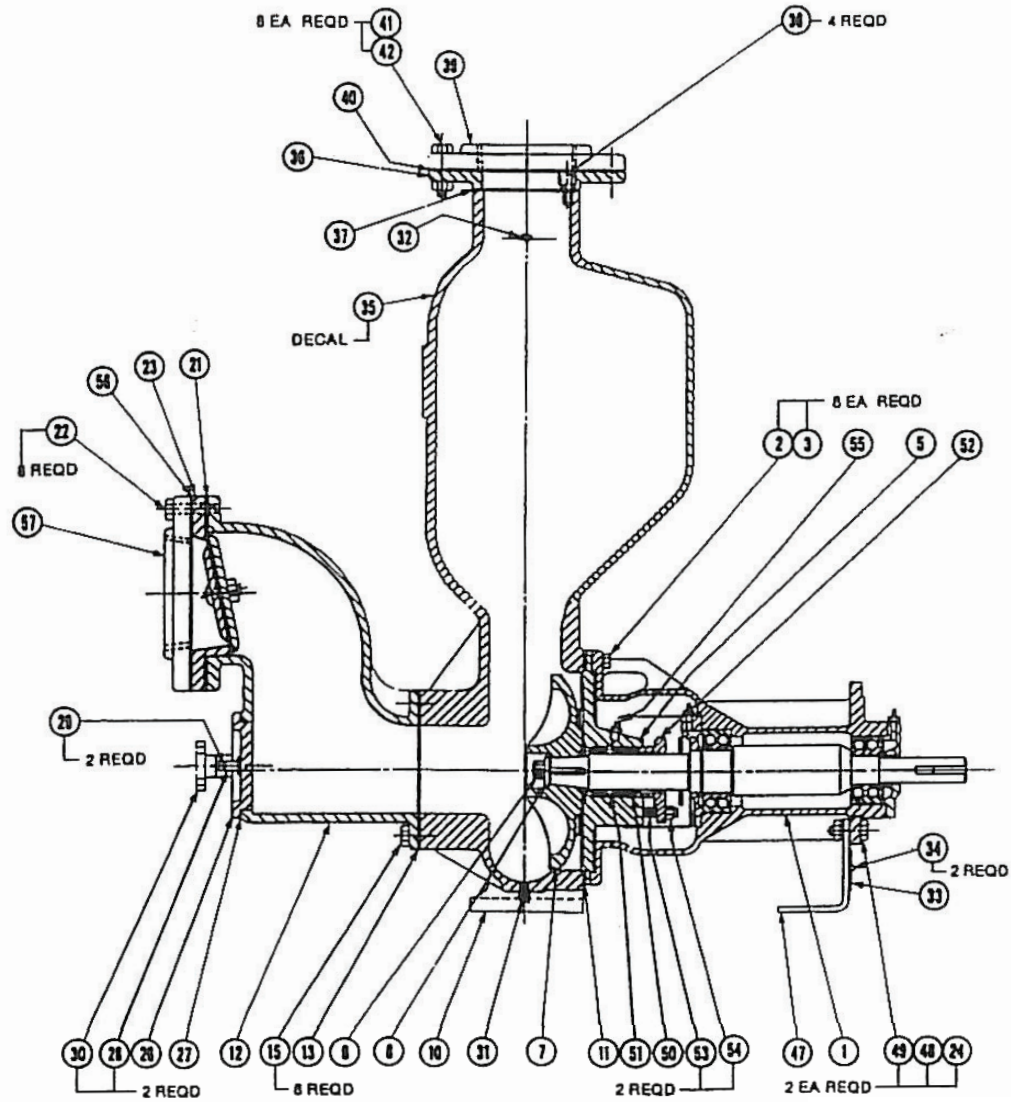


PUMPS & SYSTEMS

A Crane Co. Company

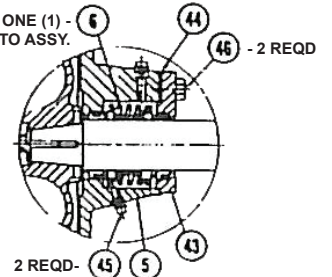
USA: (937) 778-8947 • Canada: (905) 457-6223 • International: (937) 615-3598





Single Mechanical Seal

DISCARD ONE (1) - SPRING PRIOR TO ASSY.



Double Mechanical Seal

6W-2515	Double Mechanical Seal, SS Fitted
6W-2514	Single Mechanical Seal, SS Fitted
6W-2513	Packing Gland, SS Fitted
6W-2512	Double Mechanical Seal
6W-2511	Single Mechanical Seal
6W-2510	Packing Gland



**WARNING:**  
CANCER AND REPRODUCTIVE HARM -  
WWW.P65WARNINGS.CA.GOV

# Parts List

Model 6W-2  
Bulletin Repair Parts - 3300



www.cranepumps.com

## Repair Parts

Model			6W-2510	6W-2513	6W-2511	6W-2514	6W-2512	6W-2515
Ref. No.	Description	Qty.	Part No.		Part No.		Part No.	
1	Bearing Frame Assembly	1	326069G01	326069G02	326069G01	326069G02	326069G01	326068G02
2	Bolt, Frame to Body (SAE Grade 5)	8	Q15-21-E26		Q15-21-E26		Q15-21-E26	
3	Lockwasher	8	002608		002608		002608	
5	Seal Plate	1	326083P01		326084P01		326085P01	
6	Mechanical Seal	1	N/A		6428-0		* 326096P01	
7	Impeller	1	326082P01	326082P02	326082P01	326082P02	326082P01	326082P02
8	Washer, Impeller	1	321811P16		321811P16		321811P16	
9	Screw, Socket Head Cap (302 SS)	1	Q60-7-J3		Q60-7-J3		Q60-7-J3	
10	Body	1	6685-1		6685-1		6685-1	
11	Gasket, Body	1	6459-0		6459-0		6459-0	
12	Fitting Suction	1	6688-1		6688-1		6688-1	
13	Gasket, Suction	1	6456-0		6456-0		6456-0	
15	Bolt, Suction to Body (SAE Grade 5)	8	Q15-4-E26		Q15-4-E26		Q15-4-E26	
21	Check Valve Assembly	1	6691		6691		6691	
22	Bolt, Cover Body to Body (SAE Grade 5)	8	Q15-7-E26		Q15-7-E26		Q15-7-E26	
23	Seat, Check Valve	1	6683-1		6683-1		6683-1	
24	Nut, Hex Head (Steel)	2	Q18-8-E4		Q18-8-E4		Q18-8-E4	
26	Plate, Inspection	1	6686-1		6686-1		6686-1	
27	Gasket, Inspection Plate	1	6687-0		6687-0		6687-0	
28	Stud, inspection Plate	2	6672-6		6672-6		6672-6	
29	Pin Roll	2	6619-6		6619-6		6619-6	
30	Knob, Handle	2	6673-1		6673-1		6673-1	
31	Plug, Drain	1	27743		27743		27743	
32	Plug, Pipe	1	003207		003207		003207	
33	Nameplate	1	326092P01		326092P01		326092P01	
34	Screw, Drive	2	320048P13		320048P13		320048P13	
35	Decal, Midwhirl	1	N/A		N/A		N/A	
36	Flange, Body	1	6682-1		6682-1		6682-1	
37	Gasket, Flange	1	6693-0		6693-0		6693-0	
38	Screw, Flange to Body (SAE Grade 5)	4	Q15-74-E26		Q15-74-E26		Q15-74-E26	
39	Flange, Companion	1	625-02169		625-02169		625-02169	
40	Gasket, Companion Flange	1	6430-0		6430-0		6430-0	
41	Bolt, Companion Flange (SAE Grade 5)	8	Q15-35-E26		Q15-35-E26		Q15-35-E26	
42	Nut, Companion Flange (Steel)	8	Q18-3-E4		Q18-3-E4		Q18-3-E4	
43	Seal Retainer	1	N/A		N/A		326086P01	
44	Gasket, Retainer	1	N/A		N/A		326087P01	
45	Plug, Pipe	2	N/A		N/A		0002553	
46	Bolt, Hex Head (SAE Grade 5)	2	N/A		N/A		Q15-9-E26	
47	Bracket, Support	1	8308-6		8308-6		8308-6	
48	Lockwasher	2	028408		028408		028408	
49	Bolt, Hex Head	2	029533		029533		029533	
50	Packing	1	Q27-117-M2		N/A		N/A	
51	Lantern Ring (Teflon)	1	A5356-V2		N/A		N/A	
52	Gland (BRZ)	1	A5199-B12		N/A		N/A	
53	Stud, Lantern Ring (Steel)	2	Q17-E4		N/A		N/A	
54	Nut, Stud (Steel)	2	Q18-1-E4		N/A		N/A	
55	Grease Fitting	1	Q32-20-E13		N/A		N/A	
56	Gasket	1	6430-0		6430-0		6430-0	
57	Flange, Suction	1	625-02169		625-02169		625-02169	

N/A - Not Applicable

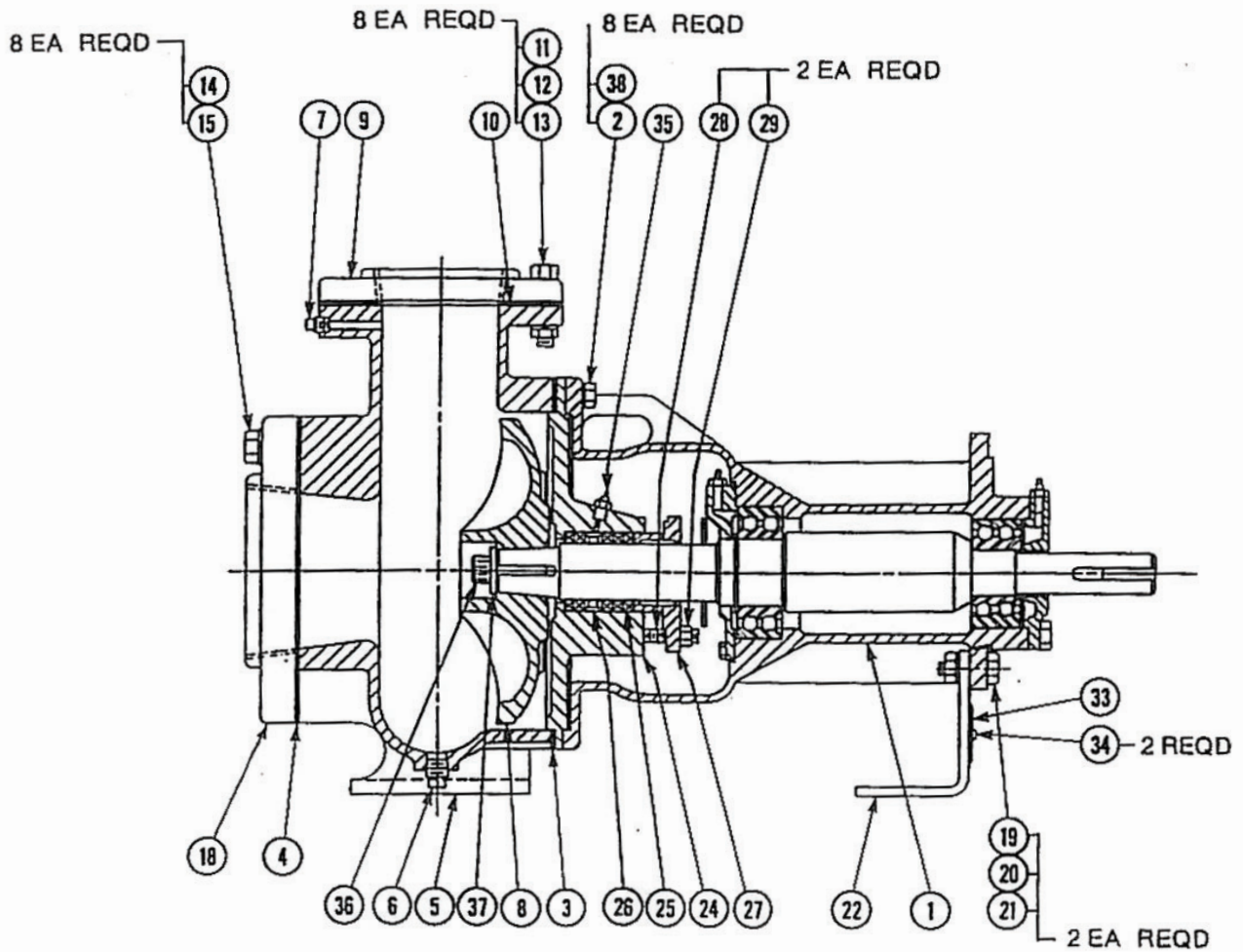
SECTION RP  
PAGE 276  
DATE 7/10



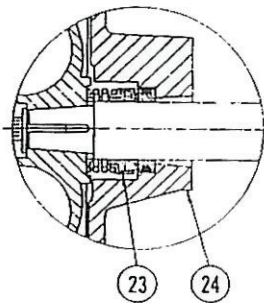
PUMPS & SYSTEMS

A Crane Co. Company

USA: (937) 778-8947 • Canada: (905) 457-6223 • International: (937) 615-3598

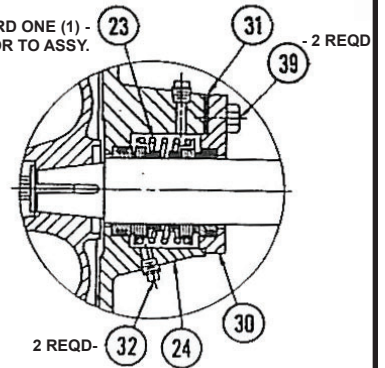


DISCARD ONE (1) -  
SPRING PRIOR TO ASSY.



Single Mechanical Seal

6WS-3515	Double Mechanical Seal, SS Fitted
6WS-3514	Single Mechanical Seal, SS Fitted
6WS-3513	Packing Gland, SS Fitted
6WS-3512	Double Mechanical Seal
6WS-3511	Single Mechanical Seal
6WS-3510	Packing Gland



Double Mechanical Seal



**WARNING:**  
CANCER AND REPRODUCTIVE HARM -  
[WWW.P65WARNINGS.CA.GOV](http://WWW.P65WARNINGS.CA.GOV)

# Parts List

Model 6WS-2  
Bulletin Repair Parts - 3300



www.cranepumps.com

## Repair Parts

Model			6WS-2510	6WS-2513	6WS-2511	6WS-2514	6WS-2512	6WS-2515
Ref. No.	Description	Qty.	Part No.		Part No.		Part No.	
1	Bearing Frame Assembly	1	326069G01	326069G02	326069G01	326069G02	326069G01	326069G02
2	Bolt, Frame to Body (SAE Grade 5)	8	Q15-21-E26		Q15-21-E26		Q15-21-E26	
3	Gasket, Body to Seal Plate	1	6459-0		6459-0		6459-0	
4	Gasket, Suction to Body	1	6430-0		6430-0		6430-0	
5	Body	1	7059-1		7059-1		7059-1	
6	Plug, Drain	1	003204		003204		003204	
7	Plug	1	003217		003217		003217	
8	Impeller	1	326195P01	326195P02	326195P01	326195P02	326195P01	326195P02
9	Flange, Companion Discharge	1	625-02169		625-02169		625-02169	
10	Gasket, Discharge to Body	1	7643-0		7643-0		7643-0	
11	Bolt, Hex Head (SAE Grade 5)	8	Q15-34-E26		Q15-34-E26		Q15-34-E26	
12	Nut, Hex (Steel)	8	Q18-2-E4	525-00297	Q18-2-E4		Q18-2-E4	
13	Lockwasher	8	002610		002610		002610	
14	Bolt, Suction to Flange (SAE Grade 5)	8	Q15-29-E26		Q15-29-E26		Q15-29-E26	
15	Lockwasher, Suction to Flange	8	20-16-6		20-16-6		20-16-6	
18	Flange, Suction	1	7642-1		7642-1		7642-1	
19	Bolt, Mounting	2	029533		029533		029533	
20	Nut, Hex	2	15-23-6		15-23-6		15-23-6	
21	Lockwasher	2	028408		028408		028408	
22	Bracket, Support	1	328445P01		328445P01		328445P01	
23	Mechanical Seal	1	N/A		6428-0		* 326096P01	
24	Seal Plate	1	326083P01		326084P01		326085P01	
25	Packing	1	Q27-117-M2		N/A		N/A	
26	Lantern Ring (Teflon)	1	A5356-V2		N/A		N/A	
27	Gland (BRZ)	1	A5199-B12		N/A		N/A	
28	Stud, Lantern Ring (SAE Grade 5)	2	Q17-1-E26		N/A		N/A	
29	Nut, Stud (Steel)	2	Q18-1-E4		N/A		N/A	
30	Seal Retainer	1	N/A		N/A		326086P01	
31	Gasket, Retainer	1	N/A		N/A		326087P01	
32	Pipe Plug	2	N/A		N/A		0002553	
33	Nameplate	1	326092P01		326092P01		326092P01	
34	Screw, Drive	2	320048P13		320048P13		320048P13	
35	Grease Fitting	1	Q32-20-E13		N/A		N/A	
36	Screw, Socket Head Cap (302 SS)	1	Q60-7-J3		Q60-7-J3		Q60-7-J3	
37	Washer, Impeller	1	321811P16		321811P16		321811P16	
38	Lockwasher	8	002608		002608		002608	
39	Bolt, Hex Head (SAE Grade 5)	2	N/A		N/A		Q15-9-E26	

N/A - Not Applicable

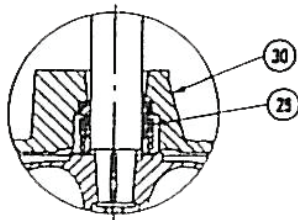
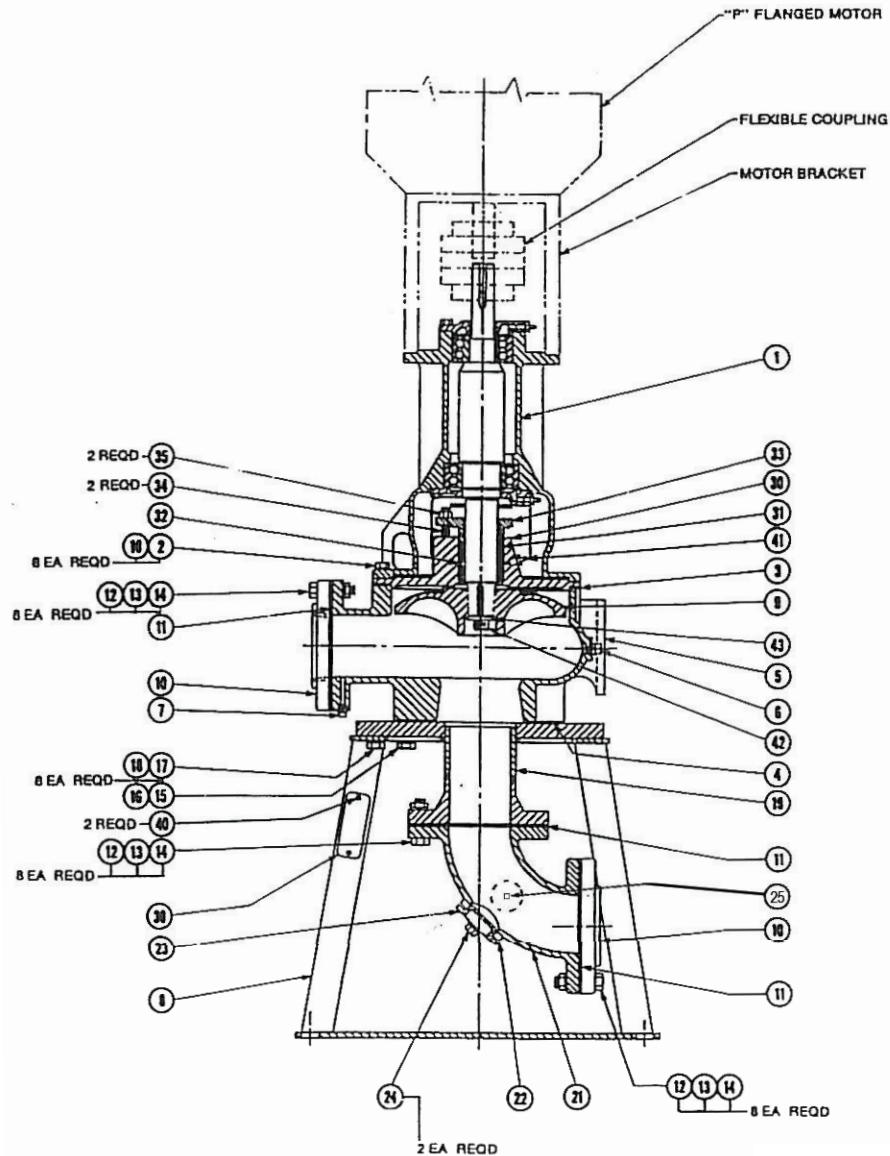
SECTION RP  
PAGE 278  
DATE 7/10



PUMPS & SYSTEMS

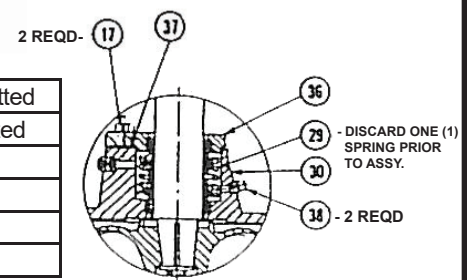
A Crane Co. Company

USA: (937) 778-8947 • Canada: (905) 457-6223 • International: (937) 615-3598



Single Mechanical Seal

4WS-VB-5515	Double Mechanical Seal, SS Fitted
4WS-VB-5514	Single Mechanical Seal, SS Fitted
4WS-VB-5513	Packing Gland, SS Fitted
4WS-VB-5512	Double Mechanical Seal
4WS-VB-5511	Single Mechanical Seal
4WS-VB-5510	Packing Gland



Double Mechanical Seal



**WARNING:**  
CANCER AND REPRODUCTIVE HARM -  
[WWW.P65WARNINGS.CA.GOV](http://WWW.P65WARNINGS.CA.GOV)

# Parts List

Model 4WS-VB-5  
Bulletin Repair Parts - 3300



www.cranepumps.com

## Repair Parts

Model			4WS-VB-5510	4WS-VB-5513	4WS-VB-5511	4WS-VB-5514	4WS-VB-5512	4WS-VB-5515
Ref. No.	Description	Qty.	Part No.		Part No.		Part No.	
1	Bearing Frame Assembly	1	326069G01	326069G02	326069G01	326069G02	326069G01	326069G02
2	Bolt, Frame to Body (SAE Grade 5)	8	Q15-21-E26		Q15-21-E26		Q15-21-E26	
3	Gasket, Body to Seal Plate	1	6459-0		6459-0		6459-0	
4	Gasket, Suction to Body	1	6430-0		6430-0		6430-0	
5	Body	1	7059-1		7059-1		7059-1	
6	Plug, Drain	1	003204		003204		003204	
7	Plug	1	003217		003217		003217	
8	Pump Stand (Steel)	1	C324988A01-E4		C324988A01-E4		C324988A01-E4	
9	Impeller	1	326080P01	326080P02	326080P01	326080P02	326080P01	326080P02
10	Flange, Companion	2	0026032		7642-1		7642-1	
11	Gasket	3	7643-0		7643-0		7643-0	
12	Bolt, Hex Head (SAE Grade 5)	24	Q15-47-E26		Q15-34-E26		Q15-34-E26	
13	Nut, Hex (Steel)	24	Q18-2-E4		Q18-2-E4		Q18-2-E4	
14	Lockwasher	24	002610		002610		002610	
15	Bolt, Stand, Suction to Body (SAE Grade 5)	8	Q15-29-E26		Q15-29-E26		Q15-29-E26	
16	Lockwasher, Stand, Suction to Body	8	20-16-6		20-16-6		20-16-6	
17	Bolt, Stand to Suction (SAE Grade 5)	8	Q15-9-E26		Q15-9-E26		Q15-9-E26	
18	Lockwasher, Stand to Suction	16	002608		002608		002608	
19	Adapter, Suction	1	324839A01		324839A01		324839A01	
21	Elbow Assembly - 4"	1	0119903		0119903		0119903	
22	O-Ring	1	0035052		0035052		0035052	
23	Cover, Hand Hole	1	0043723		0043723		0043723	
24	Screw, Cap Hand Hole (SAE Grade 5)	2	Q15-1-E26		Q15-1-E26		Q15-1-E26	
25	Pipe Plug	1	003217		003217		003217	
29	Mech. Seal, Single Type 21	1	N/A		6428-0		* 326096P01	
30	Seal Plate	1	326083P01		326084P01		326085P01	
31	Packing	1	Q27-117-M2		N/A		N/A	
32	Lantern Ring (Teflon)	1	A5356-V2		N/A		N/A	
33	Gland (BRZ)	1	A5199-B12		N/A		N/A	
34	Stud, Lantern Ring	2	N/A		N/A		N/A	
35	Nut, Stud	2	N/A		N/A		N/A	
36	Seal Retainer	1	N/A		N/A		326086P01	
37	Gasket, Retainer to Seal Plate	1	N/A		N/A		326087P01	
38	Plug, Pipe	2	N/A		N/A		0002553	
39	Nameplate	1	A8489-J10		326092P01		326092P01	
40	Screw, Nameplate	2	320048P13		320048P13		320048P13	
41	Grease Fitting	1	Q32-20-E13		N/A		N/A	
42	Screw, Socket Head Cap (302 SS)	1	Q60-7-J3		Q60-7-J3		Q60-7-J3	
43	Washer, Impeller	1	321811P16		321811P16		321811P16	

N/A - Not Applicable

SECTION RP  
PAGE 280  
DATE 7/10



PUMPS & SYSTEMS

A Crane Co. Company

USA: (937) 778-8947 • Canada: (905) 457-6223 • International: (937) 615-3598



# Parts List

Model 6WS-VB-6  
Bulletin Repair Parts - 3300



www.cranepumps.com

## Repair Parts

Model			6WS- VB-6510	6WS- VB-6513	6WS- VB-6511	6WS- VB-6514	6WS- VB-6512	6WS- VB-6515
Ref. No.	Description	Qty.	Part No.		Part No.		Part No.	
1	Bearing Frame Assembly	1	326069G01	326069G02	326069G01	326069G02	326069G01	326069G02
2	Bolt, Frame to Body (SAE Grade 5)	8	Q15-21-E26		Q15-21-E26		Q15-21-E26	
3	Gasket, Body to Seal Plate	1	6459-0		6459-0		6459-0	
4	Gasket, Suction to Body	1	6430-0		6430-0		6430-0	
5	Body	1	7059-1		7059-1		7059-1	
6	Plug, Drain	1	003204		003204		003204	
7	Plug	1	003217		003217		003217	
8	Pump Stand (Steel)	1	C324988A01-E4		C324988A01-E4		C324988A01-E4	
9	Impeller	1	326195P01	326195P02	326195P01	326195P02	326195P01	326195P02
10	Flange, Companion	1	625-02169		625-02169		625-02169	
11	Gasket	1	7643-0		7643-0		7643-0	
12	Bolt, Hex Head (SAE Grade 5)	8	Q15-34-E26		Q15-34-E26		Q15-34-E26	
13	Nut, Hex (Steel)	8	Q18-2-E4		Q18-2-E4		Q18-2-E4	
14	Lockwasher	8	002610		002610		002610	
15	Bolt, Stand, Suction to Body (SAE Grade 5)	8	Q15-29-E26		Q15-29-E26		Q15-29-E26	
16	Lockwasher, Stand	24	20-16-6		20-16-6		20-16-6	
17	Bolt, Stand to Suction (SAE Grade 5)	10	Q15-9-E26		Q15-9-E26		Q15-9-E26	
18	Lockwasher, Stand to Suction	16	002608		002608		002608	
19	Adapter, Suction	1	324840A01		324840A01		324840A01	
20	Gasket	2	6430-0		6430-0		6430-0	
21	Suction, Elbow 4x4 (Iron)	1	B6030-A2		B6030-A2		B6030-A2	
22	Gasket, Hand Hole Cover	1	A6036-L6		A6036-L6		A6036-L6	
23	Cover, Hand Hole (Iron)	1	B6038-A2		B6038-A2		B6038-A2	
24	Screw, Cap Hand Hole (SAE Grade 5)	2	Q15-1-E26		Q15-1-E26		Q15-1-E26	
25	Washer, Hand Hole (Steel)	2	Q20-13-E4		Q20-13-E4		Q20-13-E4	
26	Flange, Companion	1	0026032		7642-1		7642-1	
27	Bolt, Suction Flange (SAE Grade 5)	16	Q15-35-E26		Q15-35-E26		Q15-25-E26	
28	Nut, Suction Flange (Steel)	16	Q18-3-E4		Q18-3-E4		Q18-3-E4	
29	Mech. Seal, Single Type 21	1	N/A		6428-0		* 326096P01	
30	Seal Plate	1	326083P01		326084P01		326085P01	
31	Packing	1	Q27-117-M2		N/A		N/A	
32	Lantern Ring (Teflon)	1	A5356-V2		N/A		N/A	
33	Gland (BRZ)	1	A5199-B12		N/A		N/A	
34	Stud, Lantern Ring (SAE Grade 5)	2	Q17-1-E26		N/A		N/A	
35	Nut, Stud (Steel)	2	Q18-1-E4		N/A		N/A	
36	Seal Retainer	1	N/A		N/A		326086P01	
37	Gasket, Retainer to Seal Plate	1	N/A		N/A		326087P01	
38	Plug, Pipe	2	N/A		N/A		0002553	
39	Nameplate	1	326092P01		326092P01		326092P01	
40	Screw, Nameplate	2	320048P13		320048P13		320048P13	
41	Grease Fitting	1	Q32-20-E13		N/A		N/A	
42	Screw, Socket Head Cap (302 SS)	1	Q60-7-J3		Q60-7-J3		Q60-7-J3	
43	Washer, Impeller	1	321811P16		321811P16		321811P16	

N/A - Not Applicable

SECTION RP  
PAGE 282  
DATE 7/10



A Crane Co. Company

PUMPS & SYSTEMS

USA: (937) 778-8947 • Canada: (905) 457-6223 • International: (937) 615-3598