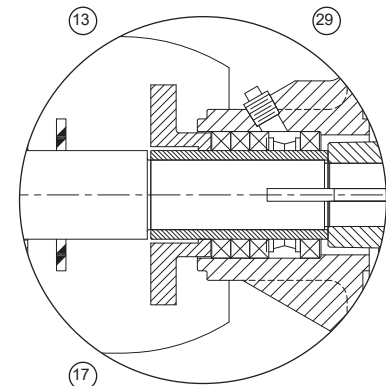


WARNING:
 CANCER AND REPRODUCTIVE HARM -
 WWW.P65WARNINGS.CA.GOV

Packing with Lantern Ring



Item No.	Name of Part	Item No.	Name of Part
1	Casing	* 26	Impeller Screw
* 2	Impeller	* 28	Impeller Screw Washer
* 6	Shaft	29	Seal Cage
†8	Impeller Ring (N.S.)	32	Impeller Key
9	Casing Cover	40	Deflector
* 13	Packing	41	Bearing Cap
* 14	Shaft Sleeve	†* 65	Mechanical Seal (Stationary Element)
* 16	Inboard Bearing	68	Seal Sleeve
17	Stuffing Box Gland	73	Casing Gasket
17A	Seal Cap	73D	Seal Cap Gasket
* 18	Outboard Bearing	†80	Mechanical Seal (Rotating Element)
19	Frame		
* 25	Suction Cover Ring		

† Furnished only in Pairs as complete units

* For domestic service we recommend these parts be carried in stock as spares

Repair Parts

Split Cases	End Suctions		Key Description
	(310) Shaft Group 1		Only 1 Key on BOM
	(310) Shaft Group 2		Only 1 Key on BOM
	(500) 2BA-67		Only 1 Key on BOM
	(500) 4BA-67		Only 1 Key on BOM
		Impeller Key p/n	
1SC		Q21-25-J8	KEY, .25 x .25 x 3.03", 303SS
2SC		Q21-23-J8	KEY, .31 x .31 x 3.53", 303SS
3SC		Q21-22-J8	KEY, .31 x .31 x 3.65", 303SS
4SC		Q21-37-J8	KEY, .50 x .50 x 5.13", 303SS
5SC		Q21-52-J8	KEY, .50 x .50 x 6.69", 303SS
6SC		Q21-47-J8	KEY, .50 x .50 x 4.75", 303SS

2A Bearing Frame		1G	1.5G	Qty	2A Bearing Frame		1G	1.5G	Qty
2	Impeller (BRZ)	2916-1-B12	B70-13-B12	1	MECHANICAL SEAL				
25	Suction Cover Ring (BRZ)	A6470-C9	A6808-C9	1	17A	Seal Cap (Iron)	A7393-1-A2	A7393-1-A2	1
	Suction Cover Ring (Iron)	A6470-A2	A6808-A2		73D	Seal Cap Gasket (Cellulose)	A7424-L13	A7424-L13	1
-	Double Wear Rings (BRZ)	A6604-C9 & A6605-C9	A7019-C9 & A7020-C9	1 each	65 & 80	Mechanical Seal - STD	Q26-395-Y34	Q26-395-Y34	1
	Double Wear Rings (Iron)	A6604-A2 & A6605-A2	A7019-A2 & A7020-A2		65 & 80	Mechanical Seal - Hot Water	Q26-395-Y6	Q26-395-Y6	1
2	Impeller (BRZ)	N/A	2897-1-B12	1	68	Seal Sleeve (Spacer)	A8493-C9-J10	A8493-C9-J10	1
25	Suction Cover Ring	N/A	N/A	1	-	Male Elbow - .25 x .25 (Brass)	Q30-11-C2	Q30-11-C2	1
-	Double Wear Rings (BRZ)	N/A	A6808-C9 & A7251-C9	1 each	-	Male Elbow - .25 x .25 (Steel)	Q30-11-E4	Q30-11-E4	1
	Double Wear Rings (Iron)	N/A	A6808-A2 & A7251-A2		-	Male Elbow - .125 x .25 (Brass)	Q30-16-C2	Q30-16-C2	1
1	Casing - 125#	1G-125	1.5G-125	1	BALANCED MECHANICAL SEAL				
	Casing (Iron)	C3872-20-A2	C3887-20-A2	1	14	Step Shaft Sleeve			1
	Plugs	04236	04236	6	17A	Seal Cap (Iron)	A7393-1-A2	A7393-1-A2	1
73	Case Gasket - 125# (Cellulose)	A6345-L13	A6345-L13	1	73D	Seal Cap Gasket (Cellulose)	A7424-L13	A7424-L13	1
9	Suction Cover - 250# (Iron)	C3873-10-1-A2	C7014-A2	1	65 & 80	Balanced Mech. Seal - STD	Q26-318-Y34	Q26-318-Y34	1
1	Casing - 250#	1G-250D	1.5G-250D	1	65 & 80	Balanced Mech. Seal - Tung. Car.	Q26-318-Y17	Q26-318-Y17	1
	Casing (DI)	C3872-21-A12	C3887-21-A12	1	-	Step Sleeve O-ring (Rubber)	Q41-32-K9	Q41-32-K9	1
	Plugs	04236	04236	6	-	Tubing - Copper	Q30-6-C6TF	Q30-6-C6TF	1
73	Case Gasket - 250# (Cellulose)	A7444-L13	A7444-L13	1	-	Tubing Steel (All Iron Pump)	Q30-6-E6	Q30-6-E6	12"
9	Suction Cover - 250# (DI)	C3873-12-A12	C7014-10-A12	1	32	Impeller Key (303 SS)	A7356-J8	A7356-J8	1
14	Shaft Sleeve (BRZ)	A7453-C9	A7453-C9	1	-	Male Elbow - .25 x .25 (Brass)	Q30-11-C2	Q30-11-C2	1
	Shaft Sleeve (316 SS)	A7453-J4	A7453-J4		-	Male Elbow - .25 x .25 (Steel)	Q30-11-E4	Q30-11-E4	1
26	Impeller Screw (302 SS)	Q60-2-J3	Q60-2-J3	1	-	Male Elbow - .125 x .25 (Brass)	Q30-16-C2	Q30-16-C2	1
28	Impeller Screw Washer (302 SS)	A5090-J3	A5090-J3	1	-	Male Elbow - .125 x .25 (Steel)	Q30-16-E4	Q30-16-E4	1
32	Impeller Key (303 SS)	Q21-4-J8	Q21-4-J8	1					
-	2BA Bearing Frame	SEE PAGE 93	SEE PAGE 93	1					
-	4BA Bearing Frame	N/A	N/A	0					
-	Tubing - Black Impolene	Q30-6-V6TF	Q30-6-V6TF	1					
-	Vent Cook (Brass)	Q24-1-C2	Q24-1-C2	1					
-	Vent Cook (Steel)	Q24-1-E4	Q24-1-E4	1					
PACKING									
13	Packing	Q27-60-M2	Q27-60-M2	1					
17	Stuffing Box Gland (Brass)	A3942-5-B5	A3942-5-B5	1					
	Stuffing Box Gland (Iron)	A3942-5-A2	A3942-5-A2						
17	Gland Stud (Brass)	Q17-12-C2	Q17-12-C2	2					
	Gland Stud (SAE Grade 5)	Q17-12-E26	Q17-12-E26						
17	Gland Nut (Brass)	Q18-8-C2	Q18-8-C2	2					
	Gland Nut (316 SS)	Q18-8-J4	Q18-8-J4						
17	Gland Washer (Steel)	Q20-3-E4	Q20-3-E4	2					
29	Lantern Ring (Seal Cage) (Teflon)	A5086-V2	A5086-V2	1					
63	Stuffing Box Bushing (416 SS)	A7492-J2	A7492-J2	1					
	Male Elbow - .25 x .25 (Brass)	Q30-11-C2	Q30-11-C2						
-	Male Elbow - .25 x .25 (Steel)	Q30-11-E4	Q30-11-E4	2					

Repair Parts

2A Bearing Frame		1.5GT	1.5K	Qty	2A Bearing Frame		1.5GT	1.5K	Qty
2	Impeller (BRZ)	B7233-B12	C6390-B12	1	MECHANICAL SEAL				
25	Suction Cover Ring (BRZ)	A6809-C9	A6809-C9	1	17A	Seal Cap (Iron)	A7393-1-A2	A7393-1-A2	1
	Suction Cover Ring (Iron)	A6809-A2	A6809-A2	1	73D	Seal Cap Gasket (Cellulose)	A7424-L13	A7424-L13	1
-	Double Wear Rings (BRZ)	N/A	A6610-C9 & A6611-C9	1 each	65 & 80	Mechanical Seal - STD	Q26-395-Y34	Q26-395-Y34	1
	Double Wear Rings (Iron)	N/A	A6610-A2 & A6611-A2	1 each	65 & 80	Mechanical Seal - Hot Water	Q26-395-Y6	Q26-395-Y6	1
2	Impeller (BRZ)	N/A	C8457-B12	1	68	Seal Sleeve (Spacer)	A8493-C9-J10	A8493-C9-J10	1
25	Suction Cover Ring (BRZ)	N/A	A7277-C9	1	-	Male Elbow - .25 x .25 (Brass)	Q30-11-C2	Q30-11-C2	1
	Suction Cover Ring (Iron)	N/A	A7277-A2	1	-	Male Elbow - .25 x .25 (Steel)	Q30-11-E4	Q30-11-E4	1
-	Double Wear Rings (BRZ)	N/A	A6409-C9 & A7921-C9	1 each	-	Male Elbow - .125 x .25 (Brass)	Q30-16-C2	Q30-16-C2	1
	Double Wear Rings (Iron)	N/A	A6409-A2 & A7921-A2	1 each	-	Male Elbow - .125 x .25 (Steel)	Q30-16-E4	Q30-16-E4	1
1	Casing - 125#	1.5GT-125	1.5K-125		BALANCED MECHANICAL SEAL				
	Casing (Iron)	C3887-20-A2	C3924-20-A2	1	14	Step Shaft Sleeve (BRZ)	A7651-C9	A7651-C9	1
	Plugs	04236	04236	6		Step Shaft Sleeve (416 SS)	A7651-J2	A7651-J2	1
73	Case Gasket - 125# (Cellulose)	A6345-L13	A6346-L13	1		Step Shaft Sleeve (316 SS)	A7651-J4	A7651-J4	1
9	Suction Cover - 125# (Iron)	C7234-A2	B6391-A2	1	17A	Seal Cap (Iron)	A7393-1-A2	A7393-1-A2	1
1	Casing - 250#	1.5GT-250D	1.5K-250D	1	73D	Seal Cap Gasket (Cellulose)	A7424-L13	A7424-L13	1
	Casing (DI)	C3887-21-A12	C3887-21-A12	1	65 & 80	Balanced Mech. Seal - STD	Q26-318-Y34	Q26-318-Y34	1
	Plugs	04236	04236	6	65 & 80	Balanced Mech. Seal - Tung. Car.	Q26-318-Y17	Q26-318-Y17	1
73	Case Gasket - 250# (Cellulose)	A7444-L13	A7771-L13	1	-	Step Sleeve O-ring (Rubber)	Q41-32-K9	Q41-32-K9	1
9	Suction Cover - 250# (DI)	C7234-10-A12	B6391-10-A12	1	-	Tubing - Copper	Q30-6-C6TF	Q30-6-C6TF	1
14	Shaft Sleeve (BRZ)	A7453-C9	A7453-C9	1	-	Tubing Steel (All Iron Pump)	Q30-6-E6	Q30-6-E6	12"
	Shaft Sleeve (316 SS)	A7453-J4	A7453-J4	1	32	Impeller Key (303 SS)	A7356-J8	A7356-J8	1
26	Impeller Screw (302 SS)	Q60-2-J3	Q60-2-J3	1	-	Male Elbow - .25 x .25 (Brass)	Q30-11-C2	Q30-11-C2	1
	Impeller Screw Washer (302 SS)	A5090-J3	A5090-J3	1	-	Male Elbow - .25 x .25 (Steel)	Q30-11-E4	Q30-11-E4	1
32	Impeller Key (303 SS)	Q21-4-J8	Q21-4-J8	1	-	Male Elbow - .125 x .25 (Brass)	Q30-16-C2	Q30-16-C2	1
-	2BA Bearing Frame	SEE PAGE 93	SEE PAGE 93	1	-	Male Elbow - .125 x .25 (Steel)	Q30-16-E4	Q30-16-E4	1
-	4BA Bearing Frame	N/A	N/A	0					
-	Tubing - Black Impolene	Q30-6-V6TF	Q30-6-V6TF	1					
-	Vent Cook (Brass)	Q24-1-C2	Q24-1-C2	1					
-	Vent Cook (Steel)	Q24-1-E4	Q24-1-E4	1					
	PACKING								
13	Packing	Q27-60-M2	Q27-60-M2	1					
17	Stuffing Box Gland (Brass)	A3942-5-B5	A3942-5-B5	1					
	Stuffing Box Gland (Iron)	A3942-5-A2	A3942-5-A2	1					
17	Gland Stud (Brass)	Q17-12-C2	Q17-12-C2	2					
	Gland Stud (SAE Grade 5)	Q17-12-E26	Q17-12-E26	2					
17	Gland Nut (Brass)	Q18-8-C2	Q18-8-C2	2					
	Gland Nut (316 SS)	Q18-8-J4	Q18-8-J4	2					
17	Gland Washer (Steel)	Q20-3-E4	Q20-3-E4	2					
29	Lantern Ring (Seal Cage) (Teflon)	A5086-V2	A5086-V2	1					
63	Stuffing Box Bushing (416 SS)	A7492-J2	A7492-J2	1					
-	Male Elbow - .25 x .25 (Brass)	Q30-11-C2	Q30-11-C2	2					
	Male Elbow - .25 x .25 (Steel)	Q30-11-E4	Q30-11-E4	2					

SECTION RP
PAGE 90
DATE 11/16



PUMPS & SYSTEMS

2A Bearing Frame		1.5KH	2G	Qty	2A Bearing Frame		1.5KH	2G	Qty
2	Impeller (BRZ)	C6099-B12	2912-1-B12	1	MECHANICAL SEAL				
25	Suction Cover Ring (BRZ)	A6409-C9	A6409-C9	1	17A	Seal Cap (Iron)	A7393-1-A2	A7393-1-A2	1
	Suction Cover Ring (Iron)	A6409-A2	A6409-A2		73D	Seal Cap Gasket (Cellulose)	A7424-L13	A7424-L13	1
-	Double Wear Rings (BRZ)	A6610-C9 & A6611-C9	A6610-C9 & A6611-C9	1 each	65 & 80	Mechanical Seal - STD	Q26-395-Y34	Q26-395-Y34	1
	Double Wear Rings (Iron)	A6610-A2 & A6611-A2	A6610-A2 & A6611-A2		65 & 80	Mechanical Seal - Hot Water	Q26-395-Y6	Q26-395-Y6	1
1	Casing - 125#	1.5KH-125	2G-125	1	68	Seal Sleeve (Spacer)	A8493-C9-J10	A8493-C9-J10	1
	Casing (Iron)	C6105-20-A2	C3868-20-A2		-	Male Elbow - .25 x .25 (Brass)	Q30-11-C2	Q30-11-C2	1
73	Plugs	04236	04236	6	-	Male Elbow - .25 x .25 (Steel)	Q30-11-E4	Q30-11-E4	1
	Case Gasket - 125# (Cellulose)	A6083-L13	A6345-L13		1	Male Elbow - .125 x .25 (Brass)	Q30-16-C2	Q30-16-C2	1
9	Suction Cover - 125# (Iron)	B6104-10-A2	C3869-10-A2	1	-	Male Elbow - .125 x .25 (Steel)	Q30-16-E4	Q30-16-E4	1
1	Casing - 250#	1.5KH-250D	2G-250D	1	BALANCED MECHANICAL SEAL				
	Casing (DI)	C6105-21-A12	C3868-21-A12		14	Step Shaft Sleeve (BRZ)	A7651-C9	A7651-C9	1
73	Plugs	04236	04236	6	14	Step Shaft Sleeve (416 SS)	A7651-J2	A7651-J2	1
	Case Gasket - 250# (Cellulose)	A7777-L13	A7444-L13		17A	Step Shaft Sleeve (316 SS)	A7651-J4	A7651-J4	1
9	Suction Cover - 250# (DI)	B6104-11-A12	C3869-11-A12	1	17A	Seal Cap (Iron)	A7393-1-A2	A7393-1-A2	1
14	Shaft Sleeve (BRZ)	A7453-C9	A7453-C9	1	73D	Seal Cap Gasket (Cellulose)	A7424-L13	A7424-L13	1
	Shaft Sleeve (316 SS)	A7453-J4	A7453-J4		65 & 80	Balanced Mech. Seal - STD	Q26-318-Y34	Q26-318-Y34	1
26	Impeller Screw (302 SS)	Q60-2-J3	Q60-2-J3	1	65 & 80	Balanced Mech. Seal - Tung. Car.	Q26-318-Y17	Q26-318-Y17	1
28	Impeller Screw Washer (302 SS)	A5090-J3	A5090-J3	1	-	Step Sleeve O-ring (Rubber)	Q41-32-K9	Q41-32-K9	1
32	Impeller Key (303 SS)	Q21-4-J8	Q21-4-J8	1	-	Tubing - Copper	Q30-6-C6TF	Q30-6-C6TF	1
-	2BA Bearing Frame	SEE PAGE 93	SEE PAGE 93	1	-	Tubing Steel (All Iron Pump)	Q30-6-E6	Q30-6-E6	12"
-	4BA Bearing Frame	N/A	N/A	0	32	Impeller Key (303 SS)	A7356-J8	A7356-J8	1
-	Tubing - Black Impolene	Q30-6-V6TF	Q30-6-V6TF	1	-	Male Elbow - .25 x .25 (Brass)	Q30-11-C2	Q30-11-C2	1
-	Vent Cook (Brass)	Q24-1-C2	Q24-1-C2	1	-	Male Elbow - .25 x .25 (Steel)	Q30-11-E4	Q30-11-E4	1
-	Vent Cook (Steel)	Q24-1-E4	Q24-1-E4	1	-	Male Elbow - .125 x .25 (Brass)	Q30-16-C2	Q30-16-C2	1
PACKING									
13	Packing	Q27-60-M2	Q27-60-M2	1	-	Male Elbow - .125 x .25 (Steel)	Q30-16-E4	Q30-16-E4	1
17	Stuffing Box Gland (Brass)	A3942-5-B5	A3942-5-B5	1					
	Stuffing Box Gland (Iron)	A3942-5-A2	A3942-5-A2						
17	Gland Stud (Brass)	Q17-12-C2	Q17-12-C2	2					
	Gland Stud (SAE Grade 5)	Q17-12-E26	Q17-12-E26						
17	Gland Nut (Brass)	Q18-8-C2	Q18-8-C2	2					
	Gland Nut (316 SS)	Q18-8-J4	Q18-8-J4						
17	Gland Washer (Steel)	Q20-3-E4	Q20-3-E4	2					
	Lantern Ring (Seal Cage)	A5086-V2	A5086-V2						
29	Stuffing Box Bushing (416 SS)	A7492-J2	A7492-J2	1					
63	Male Elbow - .25 x .25 (Brass)	Q30-11-C2	Q30-11-C2	2					
	Male Elbow - .25 x .25 (Steel)	Q30-11-E4	Q30-11-E4						

Repair Parts

2A Bearing Frame		2K	2.5G	Qty	2A Bearing Frame		2K	2.5G	Qty
2	Impeller (BRZ)	3734-1-B12	2913-B12	1	MECHANICAL SEAL				
25	Suction Cover Ring (BRZ)	A6430-C9	A6808-C9	1	17A	Seal Cap (Iron)	A7393-1-A2	A7393-1-A2	1
		A6430-A2	A6808-A2		73D	Seal Cap Gasket (Cellulose)	A7424-L13	A7424-L13	1
		A6612-C9 & A7915-C9	A7019-C9 & A7020-C9		65 & 80	Mechanical Seal - STD	Q26-395-Y34	Q26-395-Y34	1
-	Double Wear Rings (BRZ)	A6612-A2 & A7915-A2	A7019-A2 & A7020-A2	1 each	65 & 80	Mechanical Seal - Hot Water	Q26-395-Y6	Q26-395-Y6	1
		2K-125	2.5G-125		68	Seal Sleeve (Spacer)	A8493-C9-J10	A8493-C9-J10	1
1	Casing - 125#	C4482-20-A2	C3876-20-A2	1	-	Male Elbow - .25 x .25 (Brass)	Q30-11-C2	Q30-11-C2	1
	Plugs	04236	04236	6	-	Male Elbow - .25 x .25 (Steel)	Q30-11-E4	Q30-11-E4	1
73	Case Gasket - 125# (Cellulose)	A6346-L13	A6345-L13	1	-	Male Elbow - .125 x .25 (Brass)	Q30-16-C2	Q30-16-C2	1
9	Suction Cover - 125# (Cellulose)	A6346-L13	2872-1-A2	1	BALANCED MECHANICAL SEAL				
1	Casing - 250#	2K-250D	2.5G-250D	1	14	Step Shaft Sleeve (BRZ)	A7651-C9	A7651-C9	1
	Casing (DI)	C4482-21-A12	C3876-21-A12	1		Step Shaft Sleeve (416 SS)	A7651-J2	A7651-J2	1
	Plugs	04236	04236	6		Step Shaft Sleeve (316 SS)	A7651-J4	A7651-J4	1
73	Case Gasket - 250# (Cellulose)	A7771-L13	A7444-L13	1	17A	Seal Cap (Iron)	A7393-1-A2	A7393-1-A2	1
9	Suction Cover - 250# (DI)	C4542-11-A12	B3877-10-A12	1	73D	Seal Cap Gasket (Cellulose)	A7424-L13	A7424-L13	1
14	Shaft Sleeve (BRZ)	A7453-C9	A7453-C9	1	65 & 80	Balanced Mech. Seal - STD	Q26-318-Y34	Q26-318-Y34	1
	Shaft Sleeve (316 SS)	A7453-J4	A7453-J4	1	65 & 80	Balanced Mech. Seal - Tung. Car.	Q26-318-Y17	Q26-318-Y17	1
26	Impeller Screw (302 SS)	Q60-2-J3	Q60-2-J3	1	-	Step Sleeve O-ring (Rubber)	Q41-32-K9	Q41-32-K9	1
28	Impeller Screw Washer (302 SS)	A5090-J3	A5090-J3	1	-	Tubing - Copper	Q30-6-C6TF	Q30-6-C6TF	1
32	Impeller Key(303 SS)	Q21-4-J8	Q21-4-J8	1	-	Tubing Steel (All Iron Pump)	Q30-6-E6	Q30-6-E6	12"
-	2BA Bearing Frame	SEE PAGE 93	SEE PAGE 93	1	32	Impeller Key (303 SS)	A7356-J8	A7356-J8	1
-	4BA Bearing Frame	N/A	N/A	0	-	Male Elbow - .25 x .25 (Brass)	Q30-11-C2	Q30-11-C2	1
-	Tubing - Black Impolene	Q30-6-V6TF	Q30-6-V6TF	1	-	Male Elbow - .25 x .25 (Steel)	Q30-11-E4	Q30-11-E4	1
-	Vent Cook (Brass)	Q24-1-C2	Q24-1-C2	1	-	Male Elbow - .125 x .25 (Brass)	Q30-16-C2	Q30-16-C2	1
-	Vent Cook (Steel)	Q24-1-E4	Q24-1-E4	1	-	Male Elbow - .125 x .25 (Steel)	Q30-16-E4	Q30-16-E4	1
PACKING									
13	Packing	Q27-60-M2	Q27-60-M2	1					
17	Stuffing Box Gland (Brass)	A3942-5-B5	A3942-5-B5	1					
		A3942-5-A2	A3942-5-A2						
17	Gland Stud (Brass)	Q17-12-C2	Q17-12-C2	2					
17	Gland Nut (Brass)	Q17-12-E26	Q17-12-E26	2					
		Q18-8-C2	Q18-8-C2						
17	Gland Nut (316 SS)	Q18-8-J4	Q18-8-J4	2					
		Q20-3-E4	Q20-3-E4						
17	Gland Washer (Steel)	A5086-V2	A5086-V2	1					
29	Lantern Ring (Seal Cage) (Teflon)	A7492-J2	A7492-J2	1					
63	Stuffing Box Bushing (416 SS)	Q30-11-C2	Q30-11-C2	1					
-	Male Elbow - .25 x .25 (Brass)	Q30-11-E4	Q30-11-E4	2					
		Q30-11-E4	Q30-11-E4						

2A Bearing Frame		2.5K	3G	Qty	2A Bearing Frame		2.5K	3G	Qty
2	Impeller (BRZ)	2946-1-B12	2914-1-B12	1	MECHANICAL SEAL				
25	Suction Cover Ring (BRZ)	A6808-C9	A6809-C9	1	17A	Seal Cap (Iron)	A7393-1-A2	A7393-1-A2	1
		A6808-A2	A6809-A2		73D	Seal Cap Gasket (Cellulose)	A7424-L13	A7424-L13	1
-	Double Wear Rings (BRZ)	A7019-C9 & A7020-C9	A5577-C9 & H1187-2-C9	1 each	65 & 80	Mechanical Seal - STD	Q26-395-Y34	Q26-395-Y34	1
		A7019-A2 & A7020-A2	A5577-A2 & H1187-2-A2		65 & 80	Mechanical Seal - Hot Water	Q26-395-Y6	Q26-395-Y6	1
1	Casing - 125#	2.5K-125	3G-125	1	68	Seal Sleeve (Spacer)	A8493-C9-J10	A8493-C9-J10	1
	Casing (Iron)	C3910-20-A2	C3883-20-A2	1	-	Male Elbow - .25 x .25 (Brass)	Q30-11-C2	Q30-11-C2	1
	Plugs	04236	04236	6	-	Male Elbow - .25 x .25 (Steel)	Q30-11-E4	Q30-11-E4	1
73	Case Gasket - 125# (Cellulose)	A6346-L13	A6345-L13	1	-	Male Elbow - .125 x .25 (Brass)	Q30-16-C2	Q30-16-C2	1
9	Suction Cover - 125# (Iron)	2948-1-A2	B3884-10-1-A2	1	BALANCED MECHANICAL SEAL				
1	Casing - 250#	2.5K-250D	3G-250D	1	14	Step Shaft Sleeve (BRZ)	A7443-C9	A7443-C9	1
	Casing (DI)	C3910-21-A12	C3883-21-A12	1	17A	Seal Cap (Iron)	A7393-1-A2	A7393-1-A2	1
	Plugs	04236	04236	6	73D	Seal Cap Gasket (Cellulose)	A7424-L13	A7424-L13	1
73	Case Gasket - 250# (Cellulose)	A7771-L13	A7444-L13	1	65 & 80	Balanced Mech. Seal - STD	Q26-318-Y34	Q26-318-Y34	1
9	Suction Cover - 250# (DI)	4444-1-A12	B3884-11-1-A12	1	65 & 80	Balanced Mech. Seal - Tung. Car.	Q26-318-Y17	Q26-318-Y17	1
14	Shaft Sleeve (BRZ)	A7453-C9	A7453-C9	1	-	Step Sleeve O-ring (Rubber)	Q41-32-K9	Q41-32-K9	1
26	Impeller Screw (302 SS)	A7453-J4	A7453-J4	1	-	Tubing - Copper	Q30-6-C6TF	Q30-6-C6TF	1
28	Impeller Screw Washer (302 SS)	Q60-2-J3	Q60-2-J3	1	-	Tubing Steel (All Iron Pump)	Q30-6-E6	Q30-6-E6	12"
32	Impeller Key (303 SS)	A5090-J3	A5090-J3	1	32	Impeller Key (303 SS)	A7356-J8	A7356-J8	1
-	2BA Bearing Frame	Q21-4-J8	Q21-4-J8	1	-	Male Elbow - .25 x .25 (Brass)	Q30-11-C2	Q30-11-C2	1
-	4BA Bearing Frame	SEE PAGE 93	SEE PAGE 93	1	-	Male Elbow - .25 x .25 (Steel)	Q30-11-E4	Q30-11-E4	1
-	Tubing - Black Impolene	N/A	N/A	0	-	Male Elbow - .125 x .25 (Brass)	Q30-16-C2	Q30-16-C2	1
-	Vent Cook (Brass)	Q30-6-V6TF	Q30-6-V6TF	1	-	Male Elbow - .125 x .25 (Steel)	Q30-16-E4	Q30-16-E4	1
-	Vent Cook (Steel)	Q24-1-C2	Q24-1-C2	1	-				
		Q24-1-E4	Q24-1-E4	1					
PACKING									
13	Packing	Q27-60-M2	Q27-60-M2	1					
17	Stuffing Box Gland (Brass)	A3942-5-B5	A3942-5-B5	1					
		A3942-5-A2	A3942-5-A2						
17	Gland Stud (Brass)	Q17-12-C2	Q17-12-C2	2					
		Q17-12-E26	Q17-12-E26						
17	Gland Nut (Brass)	Q18-8-C2	Q18-8-C2	2					
		Q18-8-J4	Q18-8-J4						
17	Gland Washer (Steel)	Q20-3-E4	Q20-3-E4	2					
29	Lantern Ring (Seal Cage) (Teflon)	A5086-V2	A5086-V2	1					
63	Stuffing Box Bushing (416 SS)	A7492-J2	A7492-J2	1					
		Q30-11-C2	Q30-11-C2						
-	Male Elbow - .25 x .25 (Brass)	Q30-11-C2	Q30-11-C2	2					
-	Male Elbow - .25 x .25 (Steel)	Q30-11-E4	Q30-11-E4						

Repair Parts

2A Bearing Frame		3K	4G	Qty	2A Bearing Frame		3K	4G	Qty
2	Impeller (BRZ)	B3983-3-B12	C5508-B12	1	MECHANICAL SEAL				
25	Suction Cover Ring (BRZ)	A6623-C9	A6810-C9	1	17A	Seal Cap (Iron)	A7393-1-A2	A7393-1-A2	1
	Suction Cover Ring (Iron)	A6623-A2	A6810-A2		73D	Seal Cap Gasket (Cellulose)	A7424-L13	A7424-L13	1
-	Double Wear Rings (BRZ)	A6145-C9 & A6146-C9	H1440-1-C9 & H2177-1-C9	1 each	65 & 80	Mechanical Seal - STD	Q26-395-Y34	Q26-395-Y34	1
	Double Wear Rings (Iron)	A6145-A2 & A6146-A2	H1440-1-A2 & H2177-1-A2		65 & 80	Mechanical Seal - Hot Water	Q26-395-Y6	Q26-395-Y6	1
2	Impeller (BRZ)	B3989-3-B12	B6420-1-B12	1	68	Seal Sleeve (Spacer)	A8493-C9-J10	A8493-C9-J10	1
25	Suction Cover Ring (BRZ)	A6623-C9	H484-1-C9	1	-	Male Elbow - .25 x .25 (Brass)	Q30-11-C2	Q30-11-C2	1
	Suction Cover Ring (Iron)	A6623-A2	H484-1-A2		-	Male Elbow - .25 x .25 (Steel)	Q30-11-E4	Q30-11-E4	1
-	Double Wear Rings (BRZ)	A6145-C9 & A6146-C9	A6810-C9 & A7592-C9	1 each	-	Male Elbow - .125 x .25 (Brass)	Q30-16-C2	Q30-16-C2	1
	Double Wear Rings (Iron)	A6145-A2 & A6146-A2	A6810-A2 & A7592-A2		-	Male Elbow - .125 x .25 (Steel)	Q30-16-E4	Q30-16-E4	1
1	Casing - 125#	3K-125	4G-125		BALANCED MECHANICAL SEAL				
	Casing (DI)	C5537-20-A12	C3880-20-A2	1	14	Step Shaft Sleeve (BRZ)	A7651-C9	A7651-C9	1
	Plugs	04236	04236	6		Step Shaft Sleeve (416 SS)	A7651-J2	A7651-J2	1
73	Case Gasket - 125# (Cellulose)	A6346-L13	A6345-L13	1		Step Shaft Sleeve (316 SS)	A7651-J4	A7651-J4	1
9	Suction Cover - 125# (Iron)	3015-1-A2	C3881-10-1-A2	1	17A	Seal Cap (Iron)	A7393-1-A2	A7393-1-A2	1
1	Casing - 250#	3K-250D	4G-250D	1	73D	Seal Cap Gasket (Cellulose)	A7424-L13	A7424-L13	1
	Casing (DI)	C5537-21-A12	C3880-21-A12	1	65 & 80	Balanced Mech. Seal - STD	Q26-318-Y34	Q26-318-Y34	1
	Plugs	04236	04236	6	65 & 80	Balanced Mech. Seal - Tung. Car.	Q26-318-Y17	Q26-318-Y17	1
73	Case Gasket - 250# (Cellulose)	A7771-L13	A7444-L13	1	-	Step Sleeve O-ring (Rubber)	Q41-32-K9	Q41-32-K9	1
9	Suction Cover - 250# (DI)	C3984-11-A12	C3881-11-A12	1	-	Tubing - Copper	Q30-6-C6TF	Q30-6-C6TF	1
14	Shaft Sleeve (BRZ)	A7453-C9	A7453-C9	1	-	Tubing Steel (All Iron Pump)	Q30-6-E6	Q30-6-E6	12"
	Shaft Sleeve (316 SS)	A7453-J4	A7453-J4		32	Impeller Key (303 SS)	A7356-J8	A7356-J8	1
26	Impeller Screw (302 SS)	Q60-2-J3	Q60-2-J3	1	-	Male Elbow - .25 x .25 (Brass)	Q30-11-C2	Q30-11-C2	1
28	Impeller Screw Washer (302 SS)	A5090-J3	A5090-J3	1	-	Male Elbow - .25 x .25 (Steel)	Q30-11-E4	Q30-11-E4	1
32	Impeller Key (303 SS)	Q21-4-J8	Q21-4-J8	1	-	Male Elbow - .125 x .25 (Brass)	Q30-16-C2	Q30-16-C2	1
-	2BA Bearing Frame	SEE PAGE 93	SEE PAGE 93	1	-	Male Elbow - .125 x .25 (Steel)	Q30-16-E4	Q30-16-E4	1
-	4BA Bearing Frame	N/A	N/A	0					
-	Tubing - Black Impolene	Q30-6-V6TF	Q30-6-V6TF	1					
-	Vent Cook (Brass)	Q24-1-C2	Q24-1-C2	1					
-	Vent Cook (Steel)	Q24-1-E4	Q24-1-E4	1					
	PACKING								
13	Packing	Q27-60-M2	Q27-60-M2	1					
17	Stuffing Box Gland (Brass)	A3942-5-B5	A3942-5-B5	1					
	Stuffing Box Gland (Iron)	A3942-5-A2	A3942-5-A2						
17	Gland Stud (Brass)	Q17-12-C2	Q17-12-C2	2					
	Gland Stud (SAE Grade 5)	Q17-12-E26	Q17-12-E26						
17	Gland Nut (Brass)	Q18-8-C2	Q18-8-C2	2					
	Gland Nut (316 SS)	Q18-8-J4	Q18-8-J4						
17	Gland Washer (Steel)	Q20-3-E4	Q20-3-E4	2					
29	Lantern Ring (Seal Cage) (Teflon)	A5086-V2	A5086-V2	1					
63	Stuffing Box Bushing (416 SS)	A7492-J2	A7492-J2	1					
-	Male Elbow - .25 x .25	Q30-11-C2	Q30-11-C2	2					
	Male Elbow - .25 x .25	Q30-11-E4	Q30-11-E4						

2A Bearing Frame		4GL	Qty	2A Bearing Frame		4GL	Qty
2	Impeller (BRZ)	H2035-1-B12	1	MECHANICAL SEAL			
25	Suction Cover Ring (BRZ)	H484-1-C9	1	17A	Seal Cap (Iron)	A7393-1-A2	1
	Suction Cover Ring (Iron)	H484-1-A2	1	73D	Seal Cap Gasket (Cellulose)	A7424-L13	1
-	Double Wear Rings (BRZ)	A6810-C9 & A7592-C9	1 each	65 & 80	Mechanical Seal - STD	Q26-395-Y34	1
	Double Wear Rings (Iron)	A6810-A2 & A7592-A2	1 each	65 & 80	Mechanical Seal - Hot Water	Q26-395-Y6	1
1	Casing - 125#	4GL-125		68	Seal Sleeve (Spacer)	A8493-C9-J10	1
	Casing (Iron)	C3880-20-A2	1	-	Male Elbow - .25 x .25 (Brass)	Q30-11-C2	1
	Plugs	04236	6	-	Male Elbow - .25 x .25 (Steel)	Q30-11-E4	1
73	Case Gasket - 125# (Cellulose)	A6345-L13	1	-	Male Elbow - .125 x .25 (Brass)	Q30-16-C2	1
9	Suction Cover - 125# (Iron)	C3881-10-1-A2	1	-	Male Elbow - .125 x .25 (Steel)	Q30-16-E4	1
1	Casing - 250#	4GL-250D		BALANCED MECHANICAL SEAL			
	Casing (DI)	C3880-21-A12	1	14	Step Shaft Sleeve (BRZ)	A7651-C9	1
	Plugs	04236	6		Step Shaft Sleeve (416 SS)	A7651-J2	1
73	Case Gasket - 250# (Cellulose)	A7444-L13	1		Step Shaft Sleeve (316 SS)	A7651-J4	1
9	Suction Cover - 250# (DI)	C3881-11-A12	1	17A	Seal Cap (Iron)	A7393-1-A2	1
14	Shaft Sleeve (BRZ)	A7465-C9	1	73D	Seal Cap Gasket (Cellulose)	A7424-L13	1
	Shaft Sleeve (316 SS)	A7453-J4	1	65 & 80	Balanced Mech. Seal - STD	Q26-318-Y34	1
26	Impeller Screw (302 SS)	Q60-2-J3	1	65 & 80	Balanced Mech. Seal - Tung. Car.	Q26-318-Y17	1
28	Impeller Screw Washer (302 SS)	A5090-J3	1	-	Step Sleeve O-ring (Rubber)	Q41-32-K9	1
32	Impeller Key (303 SS)	Q21-4-J8	1	-	Tubing - Copper	Q30-6-C6TF	1
-	2BA Bearing Frame	SEE PAGE 93	1	-	Tubing Steel (All Iron Pump)	Q30-6-E6	12"
-	4BA Bearing Frame	N/A	0	32	Impeller Key (303 SS)	A7356-J8	1
-	Tubing - Black Impolene	Q30-6-V6TF	1	-	Male Elbow - .25 x .25 (Brass)	Q30-11-C2	1
-	Vent Cook (Brass)	Q24-1-C2	1	-	Male Elbow - .25 x .25 (Steel)	Q30-11-E4	1
-	Vent Cook (Steel)	Q24-1-E4	1	-	Male Elbow - .125 x .25 (Brass)	Q30-16-C2	1
	PACKING			-	Male Elbow - .125 x .25 (Steel)	Q30-16-E4	1
13	Packing	Q27-60-M2	1				
17	Stuffing Box Gland (Brass)	A3942-5-B5	1				
	Stuffing Box Gland (Iron)	A3942-5-A2	1				
17	Gland Stud (Brass)	Q17-12-C2	2				
	Gland Stud (SAE Grade 5)	Q17-12-E26	2				
17	Gland Nut (Brass)	Q18-8-C2	2				
	Gland Nut (316 SS)	Q18-8-J4	2				
17	Gland Washer (Steel)	Q20-3-E4	2				
29	Lantern Ring (Seal Cage) (Teflon)	A5086-V2	1				
63	Stuffing Box Bushing (416 SS)	A7492-J2	1				
-	Male Elbow - .25 x .25 (Brass)	Q30-11-C2	2				
	Male Elbow - .25 x .25 (Steel)	Q30-11-E4	2				

Repair Parts

4A Bearing Frame		1.5K	1.5KH	Qty
2	Impeller (BRZ)	B6390-10-B12	C6099-10-B12	1
25	Suction Cover Ring (BRZ)	A6409-C9	A6409-C9	1
	Suction Cover Ring (Iron)	A6409-A2	A6409-A2	
	Double Wear Rings (BRZ)	A6610-C9 & A6611-C9	A6610-C9 & A6611-C9	
-	Double Wear Rings (Iron)	A6610-A2 & A6611-A2	A6610-A2 & A6611-A2	1 each
2	Impeller (BRZ)	C8457-1-B12	N/A	1
25	Suction Cover Ring (Brass)	C8457-1-B12	N/A	1
	Suction Cover Ring (Iron)	C8457-1-A2	N/A	
-	Double Wear Rings (BRZ)	A7277-C9	N/A	1 each
Double Wear Rings (Iron)	A7277-A2	N/A		
1	Casing - 125#	1.5K-125-2	1.5KH-125-2	1
	Casing (Iron)	C3924-30-A2	C6105-30-A2	1
	Plugs	04236	04236	6
73	Case Gasket - 125# (Cellulose)	A6346-L13	A6083-L13	1
9	Suction Cover - 125# (Iron)	B6391-A2	B6104-10-A2	1
1	Casing - 250#	1.5K-250D-2	1.5KH-250D-2	1
	Casing (DI)	C3924-31-A12	C6105-31-A12	1
	Plugs	04236	04236	6
73	Case Gasket - 250# (Cellulose)	A7771-L13	A7777-L13	1
9	Suction Cover - 250# (DI)	B6391-10-A12	B6104-11-A12	1
14	Shaft Sleeve (BRZ)	H1993-1-C9	H1993-1-C9	1
	Shaft Sleeve (416 SS)	H1993-1-J2	H1993-1-J2	
	Shaft Sleeve (316 SS)	H1993-1-J4	H1993-1-J4	
26	Impeller Screw (302 SS)	Q60-3-J3	Q60-3-J3	1
28	Impeller Screw Washer (302 SS)	A6680-J3	A6680-J3	1
32	Impeller Key (303 SS)	Q21-5-J8	Q21-5-J8	1
-	2BA Bearing Frame	N/A	N/A	0
-	4BA Bearing Frame	SEE PAGE 93	SEE PAGE 93	1
-	Tubing - Black Impolene	Q30-6-V6TF	Q30-6-V6TF	1
-	Vent Cook (Brass)	Q24-1-C2	Q24-1-C2	1
-	Vent Cook (Steel)	Q24-1-E4	Q24-1-E4	1
PACKING				
13	Packing	Q27-62-M2	Q27-62-M2	1
17	Stuffing Box Gland (Brass)	A5198-3-B5	A5198-3-B5	1
	Stuffing Box Gland (Iron)	A5198-3-A2	A5198-3-A2	
17	Gland Stud (Brass)	Q17-70-C2	Q17-70-C2	2
	Gland Stud (SAE Grade 5)	Q17-70-E26	Q17-70-E26	
17	Gland Nut (Brass)	Q18-8-C2	Q18-8-C2	2
	Gland Nut (316 SS)	Q18-8-J4	Q18-8-J4	
17	Gland Washer (Steel)	Q20-3-E4	Q20-3-E4	2
29	Lantern Ring (Seal Cage)	A5350-V2	A5350-V2	1
63	Stuffing Box Bushing (416 SS)	A6759-J2	A6759-J2	1
	Male Elbow - .25 x .25 (Brass)	Q30-11-C2	Q30-11-C2	
-	Male Elbow - .25 x .25 (Steel)	Q30-11-E4	Q30-11-E4	2

4A Bearing Frame		1.5K	1.5KH	Qty
MECHANICAL SEAL				
17A	Seal Cap (Iron)	B8419-A2	B8419-A2	1
73D	Seal Cap Gasket (Cellulose)	A6500-L13	A6500-L13	1
65 & 80	Mechanical Seal - STD	Q26-217-Y35	Q26-217-Y35	1
	Mechanical Seal - Hot Water	Q26-217-Y6	Q26-217-Y6	
68	Seal Sleeve (Spacer) (BRZ)	A8494-C9	A8493-C9	1
	Seal Sleeve (Spacer) (416 SS)	A8494-J2	A8493-J2	
	Seal Sleeve (Spacer) (316 SS)	A8494-J4	A8493-J4	
-	Male Elbow - .25 x .25 (Brass)	Q30-11-C2	Q30-11-C2	1
	Male Elbow - .25 x .25 (Steel)	Q30-11-E4	Q30-11-E4	
MECHANICAL SEAL				
14	Step Shaft Sleeve (BRZ)	A7460-C9	A7460-C9	1
	Step Shaft Sleeve (416 SS)	A7460-J2	A7460-J2	
	Step Shaft Sleeve (316 SS)	A7460-J4	A7460-J4	
17A	Seal Cap (Iron)	B8419-1-A2	B8419-1-A2	1
73D	Seal Cap Gasket (Cellulose)	A6500-L13	A6500-L13	1
65 & 80	Balanced Mech. Seal - STD	Q26-319-Y34	Q26-319-Y34	1
65 & 80	Balanced Mech. Seal - Tung. Car.	Q26-319-Y17	Q26-319-Y17	1
	Step Sleeve O-ring (Rubber)	Q41-34-K9	Q41-34-K9	
-	Tubing - Copper	Q30-6-C6TF	Q30-6-C6TF	1
-	Tubing Steel (All Iron Pump)	Q30-6-E6	Q30-6-E6	12"
32	Impeller Key (303 SS)	Q21-63-J8	Q21-63-J8	1
-	Male Elbow - .25 x .25 (Brass)	Q30-11-C2	Q30-11-C2	1
	Male Elbow - .25 x .25 (Steel)	Q30-11-E4	Q30-11-E4	

SECTION RP
PAGE 96
DATE 11/16



PUMPS & SYSTEMS

4A Bearing Frame		2K	2.5G	Qty	4A Bearing Frame		2K	2.5G	Qty
2	Impeller (BRZ)	B4541-11-1-B12	C3878-11-B12	1	MECHANICAL SEAL				
25	Suction Cover Ring (BRZ)	A6430-C9	A6808-C9	1	17A	Seal Cap (Iron)	B8419-A2	B8419-A2	1
		A6430-A2	A6808-A2	1	73D	Seal Cap Gasket (Cellulose)	A6500-L13	A6500-L13	1
-	Double Wear Rings (BRZ)	A6612-C9 & A7915-C9	A7019-C9 & A7020-C9	1 each	65 & 80	Mechanical Seal - STD	Q26-217-Y35	Q26-217-Y35	1
		A6612-A2 & A7915-A2	A7019-A2 & A7020-A2	1 each	65 & 80	Mechanical Seal - Hot Water	Q26-217-Y6	Q26-217-Y6	1
1	Casing - 125#	2KL-125-2	2.5G-125-2	1	68	Seal Sleeve (Spacer) (BRZ)	A8494-C9	A8494-C9	1
	Casing (Iron)	C4482-30-A2	C3876-30-A2	1		Seal Sleeve (Spacer) (416 SS)	A8494-J2	A8494-J2	1
	Plugs	04236	04236	6		Seal Sleeve (Spacer) (316 SS)	A8494-J4	A8494-J4	1
73	Case Gasket - 125# (Cellulose)	A6346-L13	A6346-L13	1		Male Elbow - .25 x .25 (Brass)	Q30-11-C2	Q30-11-C2	1
9	Suction Cover - 125# (Iron)	C4542-10-1-A2	B3877-10-A12	1		Male Elbow - .25 x .25 (Steel)	Q30-11-E4	Q30-11-E4	1
1	Casing - 250#	2K-250D-2	2.5G-250D-2	1		BALANCED MECHANICAL SEAL			
	Casing (DI)	C4482-31-A12	C3876-31-A12	1	14	Step Shaft Sleeve (BRZ)	A7460-C9	A7460-C9	1
	Plugs	04236	04236	6		Step Shaft Sleeve (416 SS)	A7460-J2	A7460-J2	1
73	Case Gasket - 250# (Cellulose)	A7771-L13	A7444-L13	1		Step Shaft Sleeve (316 SS)	A7460-J4	A7460-J4	1
9	Suction Cover - 250# (DI)	C4542-11-A12	B3877-10-A12	1	17A	Seal Cap (Iron)	B8419-1-A2	B8419-1-A2	1
14	Shaft Sleeve (BRZ)	H1993-1-C9	H1993-1-C9	1	73D	Seal Cap Gasket (Cellulose)	A6500-L13	A6500-L13	1
		H1993-1-J2	H1993-1-J2	1	65 & 80	Balanced Mech. Seal - STD	Q26-319-Y34	Q26-319-Y34	1
		H1993-1-J4	H1993-1-J4	1	65 & 80	Balanced Mech. Seal - Tung. Car.	Q26-319-Y17	Q26-319-Y17	1
26	Impeller Screw (302 SS)	Q60-3-J3	Q60-3-J3	1	-	Step Sleeve O-ring (Rubber)	Q41-34-K9	Q41-34-K9	1
28	Impeller Screw Washer (302 SS)	A6680-J3	A6680-J3	1	-	Tubing - Copper	Q30-6-C6TF	Q30-6-C6TF	1
32	Impeller Key (303 SS)	Q21-5-J8	Q21-5-J8	1	-	Tubing Steel (All Iron Pump)	Q30-6-E6	Q30-6-E6	12"
-	2BA Bearing Frame	N/A	N/A	0	32	Impeller Key (303 SS)	Q21-63-J8	Q21-63-J8	1
-	4BA Bearing Frame	SEE PAGE 93	SEE PAGE 93	1	-	Male Elbow - .25 x .25 (Brass)	Q30-11-C2	Q30-11-C2	1
-	Tubing - Black Impolene	Q30-6-V6TF	Q30-6-V6TF	1		Male Elbow - .25 x .25 (Steel)	Q30-11-E4	Q30-11-E4	1
-	Vent Cook (Brass)	Q24-1-C2	Q24-1-C2	1					
-	Vent Cook (Steel)	Q24-1-E4	Q24-1-E4	1					
PACKING									
13	Packing	Q27-62-M2	Q27-62-M2	1					
17	Stuffing Box Gland (Brass)	A5198-3-B5	A5198-3-B5	1					
		A5198-3-A2	A5198-3-A2	1					
17	Gland Stud (Brass)	Q17-70-C2	Q17-70-C2	2					
17	Gland Nut (Brass)	Q18-8-C2	Q18-8-C2	2					
		Q18-8-J4	Q18-8-J4	2					
17	Gland Washer (Steel)	Q20-3-E4	Q20-3-E4	2					
29	Lantern Ring (Seal Cage) (Teflon)	A5350-V2	A5350-V2	1					
63	Stuffing Box Bushing (416 SS)	A6759-J2	A6759-J2	1					
		Q30-11-C2	Q30-11-C2	2					
-	Male Elbow - .25 x .25 (Brass)	Q30-11-E4	Q30-11-E4	1					
-	Male Elbow - .25 x .25 (Steel)	Q30-11-E4	Q30-11-E4	2					

Repair Parts

4A Bearing Frame		2.5K	2.5KH	Qty	4A Bearing Frame		2.5K	2.5KH	Qty
2	Impeller (BRZ)	B3912-11-B12	B4846-B12	1	13	PACKING			
25	Suction Cover Ring (BRZ)	A6808-C9	A6623-C9	1	17	Packing	Q27-62-M2	Q27-62-M2	1
	Suction Cover Ring (Iron)	A6808-A2	A6623-A2		17	Stuffing Box Gland (Brass)	A5198-3-B5	A5198-3-B5	1
25	Suction Cover Ring (250#)	A7019-C9 & A7020-C9	A8143-C9	1	17	Stuffing Box Gland (Iron)	A5198-3-A2	A5198-3-A2	2
	Suction Cover Ring (250#)	A7019-A2 & A7020-A2	A8143-A2		17	Gland Stud (Brass)	Q17-70-C2	Q17-70-C2	2
	Double Wear Rings (BRZ)	N/A	A5328-C9 & A6811-C9	1 each	17	Gland Stud (SAE Grade 5)	Q17-70-E26	Q17-70-E26	2
	Double Wear Rings (Iron)	N/A	A5328-A2 & A6811-A2		17	Gland Nut (Brass)	Q18-8-C2	Q18-8-C2	2
2	Impeller (BRZ)	N/A	B4586-B12	1	17	Gland Nut (316 SS)	Q18-8-J4	Q18-8-J4	2
25	Suction Cover Ring (BRZ)	N/A	A6623-C9	1	29	Lantern Washer (Steel)	Q20-3-E4	Q20-3-E4	1
	Suction Cover Ring (Iron)	N/A	A6623-A2		63	Gland Washer (Steel)	A5350-V2	A5350-V2	1
25	Suction Cover Ring (250#)	N/A	A8142-C9	1	-	Lantern Ring (Seal Cage)	A6759-J2	A6759-J2	2
	Suction Cover Ring (250#)	N/A	A8142-A2		-	Stuffing Box Bushing (416 SS)	Q30-11-C2	Q30-11-C2	2
	Double Wear Rings (BRZ)	N/A	A5328-C9 & A6811-C9	1 each		Male Elbow - .25 x .25 (Brass)	Q30-11-E4	Q30-11-E4	1
	Double Wear Rings (Iron)	N/A	A5328-A2 & A6811-A2			Male Elbow - .25 x .25 (Steel)			1
1	Casing - 125#	2.5K-125-2	2.5KH-125-2	1		MECHANICAL SEAL			
	Casing (Iron)	C3910-30-A2	C5559-30-A2	1	17A	Seal Cap (Iron)	B8419-A2	B8419-A2	1
	Plugs	04236	04236	6	73D	Seal Cap Gasket (Cellulose)	A6500-L13	A6500-L13	1
73	Case Gasket - 125# (Cellulose)	A6346-L13	A6083-L13	1	65 & 80	Mechanical Seal - STD	Q26-217-Y35	Q26-217-Y35	1
9	Suction Cover - 125# (Iron)	2948-1-A2	3802-2-A2	1	65 & 80	Mechanical Seal - Hot Water	Q26-217-Y6	Q26-217-Y6	1
1	Casing - 250#	2.5K-250D-2	2.5KH-250D-2	1	68	Mechanical Seal - BRZ	A8494-C9	A8493-C9	1
	Casing (DI)	C3910-31-A12	C5559-31-A12	1		Seal Sleeve (Spacer) (416 SS)	A8494-J2	A8493-J2	1
	Plugs	04236	04236	6		Seal Sleeve (Spacer) (316 SS)	A8494-J4	A8493-J4	1
73	Case Gasket - 250# (Cellulose)	A7771-L13	A7777-L13	1		Male Elbow - .25 x .25 (Brass)	Q30-11-C2	Q30-11-C2	1
9	Suction Cover - 250# (DI)	4444-1-A12	B4577-11-1-A12	1		Male Elbow - .25 x .25 (Steel)	Q30-11-E4	Q30-11-E4	1
14	Shaft Sleeve (BRZ)	H1993-1-C9	H1993-1-C9	1		MECHANICAL SEAL			
	Shaft Sleeve (416 SS)	H1993-1-J2	H1993-1-J2	1	14	Step Shaft Sleeve (BRZ)	A7460-C9	A7460-C9	1
	Shaft Sleeve (316 SS)	H1993-1-J4	H1993-1-J4	1		Step Shaft Sleeve (416 SS)	A7460-J2	A7460-J2	1
26	Impeller Screw (302 SS)	Q60-3-J3	Q60-3-J3	1		Step Shaft Sleeve (316 SS)	A7460-J4	A7460-J4	1
28	Impeller Screw Washer (302 SS)	A6680-J3	A6680-J3	1	17A	Seal Cap (Iron)	B8419-1-A2	B8419-1-A2	1
32	Impeller Key (303 SS)	Q21-5-J8	Q21-5-J8	1	73D	Seal Cap Gasket (Cellulose)	A6500-L13	A6500-L13	1
	2BA Bearing Frame	N/A	N/A	0	65 & 80	Balanced Mech. Seal - STD	Q26-319-Y34	Q26-319-Y34	1
	4BA Bearing Frame	SEE PAGE 93	SEE PAGE 93	1	65 & 80	Balanced Mech. Seal - Tung. Car.	Q26-319-Y17	Q26-319-Y17	1
	Tubing - Black Impolene	Q30-6-V6TF	Q30-6-V6TF	1	-	Step Sleeve O-ring (Rubber)	Q41-34-K9	Q41-34-K9	1
	Vent Cook (Brass)	Q24-1-C2	Q24-1-C2	1	-	Tubing - Copper	Q30-6-C6TF	Q30-6-C6TF	1
	Vent Cook (Steel)	Q24-1-E4	Q24-1-E4	1	-	Tubing Steel (All Iron Pump)	Q30-6-E6	Q30-6-E6	12"

4A Bearing Frame		3G	3K	Qty	4A Bearing Frame		3G	3K	Qty
2	Impeller (BRZ)	B3885-11-B12	B3983-2-B12	1	PACKING				
25	Suction Cover Ring (BRZ)	A6809-C9	A6623-C9	1	13	Packing	Q27-62-M2	Q27-62-M2	1
	Suction Cover Ring (Iron)	A6809-A2	A6623-A2	1	17	Stuffing Box Gland (Brass)	A5198-3-B5	A5198-3-B5	1
	Double Wear Rings (BRZ)	A5577-C9 & H1187-2-C9	A6145-C9 & A6146-C9	1 each	17	Stuffing Box Gland (Iron)	A5198-3-A2	A5198-3-A2	1
	Double Wear Rings (Iron)	A5577-A2 & H1187-2-A2	A6145-A2 & A6146-A2	1 each	17	Gland Stud (Brass)	Q17-70-C2	Q17-70-C2	2
2	Impeller (BRZ)	N/A	B3989-2-B12	1	17	Gland Stud (SAE Grade 5)	Q17-70-E26	Q17-70-E26	2
25	Suction Cover Ring (BRZ)	N/A	A6623-C9	1	17	Gland Nut (Brass)	Q18-8-C2	Q18-8-C2	2
	Suction Cover Ring (Iron)	N/A	A6623-A2	1	17	Gland Nut (316 SS)	Q18-8-J4	Q18-8-J4	2
	Double Wear Rings (BRZ)	N/A	A6145-C9 & C6146-C9	1 each	29	Lantern Washer (Steel)	Q20-3-E4	Q20-3-E4	2
	Double Wear Rings (Iron)	N/A	A6145-A2 & C6146-A2	1 each	63	Lantern Ring (Seal Cage) (Teflon)	A5350-V2	A5350-V2	1
1	Casing - 125#	3G-125-2	3K-125-2		-	Stuffing Box Bushing (416 SS)	A6759-J2	A6759-J2	1
	Casing (Iron)	C6681-30-A2	C5537-30-A12	1	-	Male Elbow - .25 x .25 (Brass)	Q30-11-C2	Q30-11-C2	2
	Plugs	04236	04236	6	-	Male Elbow - .25 x .25 (Steel)	Q30-11-E4	Q30-11-E4	2
73	Case Gasket - 125# (Cellulose)	A6345-L13	A6346-L13	1	17A	MECHANICAL SEAL			
9	Suction Cover - 125# (Iron)	B3884-10-1-A2	3015-1-A12	1	73D	Seal Cap (Iron)	B8419-A2	B8419-A2	1
1	Casing - 250#	3G-250D-2	3K-250D-2	1	65 & 80	Seal Cap Gasket (Cellulose)	A6500-L13	A6500-L13	1
	Casing (DI)	C6681-31-A12	C5537-31-A12	1	65 & 80	Mechanical Seal - STD	Q26-217-Y35	Q26-217-Y35	1
	Plugs	04236	04236	6	65 & 80	Mechanical Seal - Hot Water	Q26-217-Y6	Q26-217-Y6	1
73	Case Gasket - 250# (Cellulose)	A7444-L13	A7771-L13	1	68	Seal Sleeve (Spacer) (BRZ)	A8494-C9	A8493-C9	1
9	Suction Cover - 250# (DI)	B3884-11-1-A12	C3984-11-A12	1	-	Seal Sleeve (Spacer) (416 SS)	A8494-J2	A8493-J2	1
14	Shaft Sleeve (BRZ)	H1993-1-C9	H1993-1-C9	1	-	Seal Sleeve (Spacer) (316 SS)	A8494-J4	A8493-J4	1
	Shaft Sleeve (416 SS)	H1993-1-J2	H1993-1-J2	1		Male Elbow - .25 x .25 (Brass)	Q30-11-C2	Q30-11-C2	2
	Shaft Sleeve (316 SS)	H1993-1-J4	H1993-1-J4	1		Male Elbow - .25 x .25 (Steel)	Q30-11-E4	Q30-11-E4	2
26	Impeller Screw (302 SS)	Q60-3-J3	Q60-3-J3	1		MECHANICAL SEAL			
28	Impeller Screw Washer (302 SS)	A6680-J3	A6680-J3	1	14	Step Shaft Sleeve (BRZ)	A7460-C9	A7460-C9	1
32	Impeller Key (303 SS)	Q21-5-J8	Q21-5-J8	1		Step Shaft Sleeve (416 SS)	A7460-J2	A7460-J2	1
	2BA Bearing Frame	N/A	N/A	0		Step Shaft Sleeve (316 SS)	A7460-J4	A7460-J4	1
	4BA Bearing Frame	SEE PAGE 93	SEE PAGE 93	1	17A	Seal Cap (Iron)	B8419-1-A2	B8419-1-A2	1
	Tubing - Black Impolene	Q30-6-V6TF	Q30-6-V6TF	1	73D	Seal Cap Gasket (Cellulose)	A6500-L13	A6500-L13	1
	Vent Cook (Brass)	Q24-1-C2	Q24-1-C2	1	65 & 80	Balanced Mech. Seal - STD	Q26-319-Y34	Q26-319-Y34	1
	Vent Cook (Steel)	Q24-1-E4	Q24-1-E4	1	65 & 80	Balanced Mech. Seal - Tung. Car.	Q26-319-Y17	Q26-319-Y17	1
					-	Step Sleeve O-ring (Rubber)	Q41-34-K9	Q41-34-K9	1
					-	Tubing - Copper	Q30-6-C6TF	Q30-6-C6TF	1
					-	Tubing Steel (All Iron Pump)	Q30-6-E6	Q30-6-E6	12"
					32	Impeller Key (303 SS)	Q21-63-J8	Q21-63-J8	1
					-	Male Elbow - .25 x .25 (Brass)	Q30-11-C2	Q30-11-C2	2
					-	Male Elbow - .25 x .25 (Steel)	Q30-11-E4	Q30-11-E4	2

Repair Parts

4A Bearing Frame		3KH	4G	Qty	4A Bearing Frame		3KH	4G	Qty
2	Impeller (BRZ)	B4564-1-B12	B6420-10-B12	1	MECHANICAL SEAL				
25	Suction Cover Ring (BRZ)	A6812-C9	H484H-1-C9	1	17A	Seal Cap (Iron)	B8419-A2	B8419-A2	1
	Suction Cover Ring (Iron)	A6812-A2	H484H-1-A2		73D	Seal Cap Gasket (Cellulose)	A6500-L13	A6500-L13	1
-	Double Wear Rings (BRZ)	A6811-C9 & A8048-C9	A6810-C9 & A7592-C9	1 each	65 & 80	Mechanical Seal - STD	Q26-217-Y35	Q26-217-Y35	1
		A6811-A2 & A8048-A2	A6810-A2 & A7592-A2		65 & 80	Mechanical Seal - Hot Water	Q26-217-Y6	Q26-217-Y6	1
2	Impeller (BRZ)	B4567-1-B12	C5508-11-B12	1	68	Seal Sleeve (Spacer) (BRZ)	A8494-C9	A8493-C9	1
25	Suction Cover Ring (BRZ)	A6811-C9	A6810-C9	1	-	Seal Sleeve (Spacer) (416 SS)	A8494-J2	A8493-J2	1
	Suction Cover Ring (Iron)	A6811-A2	A6810-A2			Seal Sleeve (Spacer) (316 SS)	A8494-J4	A8493-J4	
-	Double Wear Rings	N/A	N/A	1 each		Male Elbow - .25 x .25 (Brass)	Q30-11-C2	Q30-11-C2	2
1	Casing - 125#	3KH-125-2	4G-125-2	1	MECHANICAL SEAL				
	Casing (Iron)	C4565-30-A2	C6682-30-A2	1	14	Step Shaft Sleeve (BRZ)	A7460-C9	A7460-C9	1
	Plugs	04236	04236	6		Step Shaft Sleeve (416 SS)	A7460-J2	A7460-J2	
73	Case Gasket - 125# (Cellulose)	A6083-L13	A6345-L13	1		Step Shaft Sleeve (316 SS)	A7460-J4	A7460-J4	
9	Suction Cover - 125# (Iron)	3792-1-A2	C3881-10-1-A2	1	17A	Seal Cap (Iron)	B8419-1-A2	B8419-1-A2	1
1	Casing - 250#	3KH-250D-2	4G-250D-2	1	73D	Seal Cap Gasket (Cellulose)	A6500-L13	A6500-L13	1
	Casing (DI)	C4565-31-A12	C6682-31-A12	1	65 & 80	Balanced Mech. Seal - STD	Q26-319-Y34	Q26-319-Y34	1
	Plugs	04236	04236	6	65 & 80	Balanced Mech. Seal - Tung. Car.	Q26-319-Y17	Q26-319-Y17	1
73	Case Gasket - 250# (Cellulose)	A7777-L13	A7444-L13	1	-	Step Sleeve O-ring (Rubber)	Q41-34-K9	Q41-34-K9	1
9	Suction Cover - 250# (DI)	C4566-11-A12	C3881-11-A12	1	-	Tubing - Copper	Q30-6-C6TF	Q30-6-C6TF	1
14	Shaft Sleeve (BRZ)	H1993-1-C9	H1993-1-C9	1	-	Tubing Steel (All Iron Pump)	Q30-6-E6	Q30-6-E6	12"
	Shaft Sleeve (416 SS)	H1993-1-J2	H1993-1-J2		32	Impeller Key (303 SS)	Q21-63-J8	Q21-63-J8	1
	Shaft Sleeve (316 SS)	H1993-1-J4	H1993-1-J4		-	Male Elbow - .25 x .25 (Brass)	Q30-11-C2	Q30-11-C2	2
Impeller Screw (302 SS)	Q60-3-J3	Q60-3-J3	1	Male Elbow - .25 x .25 (Steel)	Q30-11-E4	Q30-11-E4			
28	Impeller Screw Washer (302 SS)	A6680-J3	A6680-J3	1					
32	Impeller Key (303 SS)	Q21-5-J8	Q21-5-J8	1					
-	2BA Bearing Frame	N/A	N/A	0					
-	4BA Bearing Frame	SEE PAGE 93	SEE PAGE 93	1					
-	Tubing - Black Impolene	Q30-6-V6TF	Q30-6-V6TF	1					
-	Vent Cook (Brass)	Q24-1-C2	Q24-1-C2	1					
-	Vent Cook (Steel)	Q24-1-E4	Q24-1-E4	1					
PACKING									
13	Packing	Q27-62-M2	Q27-62-M2	1					
17	Stuffing Box Gland (Brass)	A5198-3-B5	A5198-3-B5	1					
		A5198-3-A2	A5198-3-A2						
17	Gland Stud (Brass)	Q17-70-C2	Q17-70-C2	2					
		Q17-70-E26	Q17-70-E26						
17	Gland Nut (Brass)	Q18-8-C2	Q18-8-C2	2					
		Q18-8-J4	Q18-8-J4						
17	Gland Washer (Steel)	Q20-3-E4	Q20-3-E4	2					
29	Lantern Ring (Seal Cage) (Teflon)	A5350-V2	A5350-V2	1					
63	Stuffing Box Bushing (416 SS)	A6759-J2	A6759-J2	1					
-	Male Elbow - .25 x .25 (Brass)	Q30-11-C2	Q30-11-C2	2					
		Q30-11-E4	Q30-11-E4						

SECTION RP
PAGE 100
DATE 11/16



PUMPS & SYSTEMS

4A Bearing Frame		4GL	4K	Qty	4A Bearing Frame		4GL	4K	Qty
2	Impeller (BRZ)	B4775-10-B12	B4379-1-B12	1	MECHANICAL SEAL				
25	Suction Cover Ring (BRZ)	H484-1-C9	A6810-C9	1	17A	Seal Cap (Iron)	B8419-A2	B8419-A2	1
	Suction Cover Ring (Iron)	H484-1-A2	A6810-A2		73D	Seal Cap Gasket (Cellulose)	A6500-L13	A6500-L13	1
-	Double Wear Rings (BRZ)	A6810-C9 & A7592-C9	H1440-1-C9 & H2177-1-C9	1 each	65 & 80	Mechanical Seal - STD	Q26-217-Y35	Q26-217-Y35	1
		A6810-A2 & A7592-A2	H1440-1-A2 & H2177-1-A2		65 & 80	Mechanical Seal - Hot Water	Q26-217-Y6	Q26-217-Y6	1
1	Casing - 125#	4GL-125-2	4K-125-2	1	68	Seal Sleeve (Spacer) (BRZ)	A8494-C9	A8493-C9	1
	Casing (Iron)	C6682-30-A2	C4380-30-A12	1		Seal Sleeve (Spacer) (416 SS)	A8494-J2	A8493-J2	1
	Plugs	04236	04236	6		Seal Sleeve (Spacer) (316 SS)	A8494-J4	A8493-J4	1
73	Case Gasket - 125# (Cellulose)	A6345-L13	A6083-L13	1		Male Elbow - .25 x .25 (Brass)	Q30-11-C2	Q30-11-C2	2
9	Suction Cover - 125# (DI)	C3881-11-A12	3503-1-A2	1		Male Elbow - .25 x .25 (Steel)	Q30-11-E4	Q30-11-E4	2
1	Casing - 250#	4GL-250D-2	4K-250D-2	1	14	MECHANICAL SEAL			
	Casing (DI)	C6682-31-A12	C4380-31-A12	1		Step Shaft Sleeve (BRZ)	A7460-C9	A7460-C9	1
	Plugs	04236	04236	6		Step Shaft Sleeve (416 SS)	A7460-J2	A7460-J2	1
73	Case Gasket - 250# (Cellulose)	A7444-L13	A7777-L13	1		Step Shaft Sleeve (316 SS)	A7460-J4	A7460-J4	1
9	Suction Cover - 250# (DI)	C3881-11-A12	C4381-10-A12	1	17A	Seal Cap (Iron)	B8419-1-A2	B8419-1-A2	1
14	Shaft Sleeve (BRZ)	H1993-1-C9	H1993-1-C9	1	73D	Seal Cap Gasket (Cellulose)	A6500-L13	A6500-L13	1
		H1993-1-J2	H1993-1-J2		65 & 80	Balanced Mech. Seal - STD	Q26-319-Y34	Q26-319-Y34	1
		H1993-1-J4	H1993-1-J4		65 & 80	Balanced Mech. Seal - Tung. Car.	Q26-319-Y17	Q26-319-Y17	1
26	Impeller Screw (302 SS)	Q60-3-J3	Q60-3-J3	1	-	Step Sleeve O-ring (Rubber)	Q41-34-K9	Q41-34-K9	1
28	Impeller Screw Washer (302 SS)	A6680-J3	A6680-J3	1	-	Tubing - Copper	Q30-6-C6TF	Q30-6-C6TF	1
32	Impeller Key (303 SS)	Q21-5-J8	Q21-5-J8	1	-	Tubing Steel (All Iron Pump)	Q30-6-E6	Q30-6-E6	12"
-	2BA Bearing Frame	N/A	N/A	0	32	Impeller Key (303 SS)	Q21-63-J8	Q21-63-J8	1
-	4BA Bearing Frame	SEE PAGE 93	SEE PAGE 93	1	-	Male Elbow - .25 x .25 (Brass)	Q30-11-C2	Q30-11-C2	2
-	Tubing - Black Impolene	Q30-6-V6TF	Q30-6-V6TF	1		Male Elbow - .25 x .25 (Steel)	Q30-11-E4	Q30-11-E4	2
-	Vent Cook (Brass)	Q24-1-C2	Q24-1-C2	1					
-	Vent Cook (Steel)	Q24-1-E4	Q24-1-E4	1					
PACKING									
13	Packing	Q27-62-M2	Q27-62-M2	1					
17	Stuffing Box Gland (Brass)	A5198-3-B5	A5198-3-B5	1					
		A5198-3-A2	A5198-3-A2						
17	Gland Stud (Brass)	Q17-70-C2	Q17-70-C2	2					
17	Gland Nut (Brass)	Q18-8-C2	Q18-8-C2	2					
		Q18-8-J4	Q18-8-J4						
17	Gland Washer (Steel)	Q20-3-E4	Q20-3-E4	2					
29	Lantern Ring (Seal Cage) (Teflon)	A5350-V2	A5350-V2	1					
63	Stuffing Box Bushing (416 SS)	A6759-J2	A6759-J2	1					
		Q30-11-C2	Q30-11-C2						
-	Male Elbow - .25 x .25 (Brass)	Q30-11-E4	Q30-11-E4	2					

Repair Parts

4A Bearing Frame		4KL	4KS	Qty	4A Bearing Frame		4KL	4KS	Qty
2	Impeller (BRZ)	C5412-B12	C4379-3-B12	1	MECHANICAL SEAL				
25	Suction Cover Ring (BRZ)	H1440-1-C9	A6810-C9	1	17A	Seal Cap (Iron)	B8419-A2	B8419-A2	1
	Suction Cover Ring (Iron)	H1440-1-A2	A6810-A2	1	73D	Seal Cap Gasket (Cellulose)	A6500-L13	A6500-L13	1
-	Double Wear Rings (BRZ)	A6595-C9 & A6596-C9	H1440-1-C9 & H2177-1-C9	1 each	65 & 80	Mechanical Seal - STD	Q26-217-Y35	Q26-217-Y35	1
	Double Wear Rings (Iron)	A6595-A2 & A6596-A2	H1440-1-A2 & H2177-1-A2	1	65 & 80	Mechanical Seal - Hot Water	Q26-217-Y6	Q26-217-Y6	1
1	Casing - 125#	4KL-125-2	4KS-125-2	1	68	Seal Sleeve (Spacer) (BRZ)	A8494-C9	A8493-C9	1
	Casing (Iron)	C5533-30-A2	C4380-32-A2	1		Seal Sleeve (Spacer) (416 SS)	A8494-J2	A8493-J2	1
	Plugs	04236	04236	6		Seal Sleeve (Spacer) (316 SS)	A8494-J4	A8493-J4	1
73	Case Gasket - 125# (Cellulose)	A6346-L13	A6007-L13	1		Male Elbow - .25 x .25 (Brass)	Q30-11-C2	Q30-11-C2	2
9	Suction Cover - 125# (Iron)	B5531-A2	C438-11-A2	1		Male Elbow - .25 x .25 (Steel)	Q30-11-E4	Q30-11-E4	2
1	Casing - 250#	4KL-250D-2	4KS-250D-2	1	MECHANICAL SEAL				
	Casing (DI)	C5533-31-A12	C4380-33-A12	1	14	Step Shaft Sleeve (BRZ)	A7460-C9	A7460-C9	1
	Plugs	04236	04236	6		Step Shaft Sleeve (416 SS)	A7460-J2	A7460-J2	1
73	Case Gasket - 250# (Cellulose)	A7771-L13	A7771-2-L13	1		Step Shaft Sleeve (316 SS)	A7460-J4	A7460-J4	1
9	Suction Cover - 250# (DI)	B5531-10-A12	C4381-12-A12	1	17A	Seal Cap (Iron)	B8419-1-A2	B8419-1-A2	1
14	Shaft Sleeve (BRZ)	H1993-1-C9	H1993-1-C9	1	73D	Seal Cap Gasket (Cellulose)	A6500-L13	A6500-L13	1
	Shaft Sleeve (416 SS)	H1993-1-J2	H1993-1-J2	1	65 & 80	Balanced Mech. Seal - STD	Q26-319-Y34	Q26-319-Y34	1
	Shaft Sleeve (316 SS)	H1993-1-J4	H1993-1-J4	1	65 & 80	Balanced Mech. Seal - Tung. Car.	Q26-319-Y17	Q26-319-Y17	1
26	Impeller Screw (302 SS)	Q60-3-J3	Q60-3-J3	1	-	Step Sleeve O-ring (Rubber)	Q41-34-K9	Q41-34-K9	1
28	Impeller Screw Washer (302 SS)	A6680-J3	A6680-J3	1	-	Tubing - Copper	Q30-6-C6TF	Q30-6-C6TF	1
32	Impeller Key (303 SS)	Q21-5-J8	Q21-5-J8	1	-	Tubing Steel (All Iron Pump)	Q30-6-E6	Q30-6-E6	12"
-	2BA Bearing Frame	N/A	N/A	0	32	Impeller Key (303 SS)	Q21-63-J8	Q21-63-J8	1
-	4BA Bearing Frame	SEE PAGE 93	SEE PAGE 93	1	-	Male Elbow - .25 x .25 (Brass)	Q30-11-C2	Q30-11-C2	2
-	Tubing - Black Impolene	Q30-6-V6TF	Q30-6-V6TF	1		Male Elbow - .25 x .25 (Steel)	Q30-11-E4	Q30-11-E4	2
-	Vent Cook (Brass)	Q24-1-C2	Q24-1-C2	1					
-	Vent Cook (Steel)	Q24-1-E4	Q24-1-E4	1					
PACKING									
13	Packing	Q27-62-M2	Q27-62-M2	1					
17	Stuffing Box Gland (Brass)	A5198-3-B5	A5198-3-B5	1					
	Stuffing Box Gland (Iron)	A5198-3-A2	A5198-3-A2	1					
17	Gland Stud (Brass)	Q17-70-C2	Q17-70-C2	2					
17	Gland Stud (SAE Grade 5)	Q17-70-E26	Q17-70-E26	2					
	Gland Nut (Brass)	Q18-8-C2	Q18-8-C2	2					
17	Gland Nut (316 SS)	Q18-8-J4	Q18-8-J4	2					
	Gland Washer (Steel)	Q20-3-E4	Q20-3-E4	2					
29	Lantern Ring (Seal Cage) (Teflon)	A5360-V2	A5360-V2	1					
63	Stuffing Box Bushing (416 SS)	A6759-J2	A6759-J2	1					
-	Male Elbow - .25 x .25 (Brass)	Q30-11-C2	Q30-11-C2	2					
	Male Elbow - .25 x .25 (Steel)	Q30-11-E4	Q30-11-E4	2					

4A Bearing Frame		5G	6G	Qty	4A Bearing Frame		5G	6G	Qty
2	Impeller (BRZ)	4378-1-B12	4511-1-B12	1	MECHANICAL SEAL				
25	Suction Cover Ring (BRZ)	H2322-1-C9	H1960-1-C9	1	17A	Seal Cap (Iron)	B8419-A2	B8419-A2	1
	Suction Cover Ring (Iron)	H2322-1-A2	H1960-1-A2		73D	Seal Cap Gasket (Cellulose)	A6500-L13	A6500-L13	1
-	Double Wear Rings (BRZ)	A6595-C9 & C6596-C9	A6442-C9 & A6443-C9	1 each	65 & 80	Mechanical Seal - STD	Q26-217-Y35	Q26-217-Y35	1
	Double Wear Rings (Iron)	A6595-A2 & C6596-A2	A6442-A2 & A6443-A2		65 & 80	Mechanical Seal - Hot Water	Q26-217-Y6	Q26-217-Y6	1
1	Casing - 125#	5G-125-2	6G-125-2	1	68	Seal Sleeve (Spacer) (BRZ)	A8494-C9	A8493-C9	1
	Casing (Iron)	C4816-30-A2	C4872-30-A12	1		Seal Sleeve (Spacer) (416 SS)	A8494-J2	A8493-J2	1
	Plugs	003217	003217	6		Seal Sleeve (Spacer) (316 SS)	A8494-J4	A8493-J4	1
73	Case Gasket - 125# (Cellulose)	A6082-L13	A6346-L13	1		Male Elbow - .25 x .25 (Brass)	Q30-11-C2	Q30-11-C2	1
9	Suction Cover - 125# (Iron)	H2321-1-A2	4513-1-A2	1		Male Elbow - .25 x .25 (Steel)	Q30-11-E4	Q30-11-E4	1
1	Casing - 250#	5G-250D-2	6G-250D-2	1		MECHANICAL SEAL			
	Casing	N/A	N/A	1	14	Step Shaft Sleeve (BRZ)	A7460-C9	A7460-C9	1
	Plugs	003217	N/A	6		Step Shaft Sleeve (416 SS)	A7460-J2	A7460-J2	1
73	Case Gasket - 250# (Cellulose)	A8287-L13	N/A	1		Step Shaft Sleeve (316 SS)	A7460-J4	A7460-J4	1
9	Suction Cover - 250# (DI)	B4841-10-A12	N/A	1	17A	Seal Cap (Iron)	B8419-1-A2	B8419-1-A2	1
14	Shaft Sleeve (BRZ)	H1993-1-C9	H1993-1-C9	1	73D	Seal Cap Gasket (Cellulose)	A6500-L13	A6500-L13	1
	Shaft Sleeve (416 SS)	H1993-1-J2	H1993-1-J2		65 & 80	Balanced Mech. Seal - STD	Q26-319-Y34	Q26-319-Y34	1
	Shaft Sleeve (316 SS)	H1993-1-J4	H1993-1-J4		65 & 80	Balanced Mech. Seal - Tung. Car.	Q26-319-Y17	Q26-319-Y17	1
26	Impeller Screw (302 SS)	Q60-3-J3	Q60-3-J3	1	-	Step Sleeve O-ring (Rubber)	Q41-34-K9	Q41-34-K9	1
28	Impeller Screw Washer (302 SS)	A6680-J3	A6680-J3	1	-	Tubing - Copper	Q30-6-C6TF	Q30-6-C6TF	1
32	Impeller Key (303 SS)	Q21-5-J8	Q21-5-J8	1	-	Tubing Steel (All Iron Pump)	Q30-6-E6	Q30-6-E6	12"
-	2BA Bearing Frame	N/A	N/A	0	32	Impeller Key (303 SS)	Q21-63-J8	Q21-63-J8	1
-	4BA Bearing Frame	SEE PAGE 93	SEE PAGE 93	1	-	Male Elbow - .25 x .25 (Brass)	Q30-11-C2	Q30-11-C2	1
-	Tubing - Black Impolene	Q30-6-V6TF	Q30-6-V6TF	1	-	Male Elbow - .25 x .25 (Steel)	Q30-11-E4	Q30-11-E4	1
-	Vent Cook (Brass)	Q24-1-C2	Q24-1-C2	1		PACKING			
-	Vent Cook (Steel)	Q24-1-E4	Q24-1-E4	1		Packing			
13	Packing	Q27-62-M2	Q27-62-M2	1		Packing			
17	Stuffing Box Gland (Brass)	A5198-3-B5	A5198-3-B5	1		Stuffing Box Gland (Brass)			
	Stuffing Box Gland (Iron)	A5198-3-A2	A5198-3-A2				Stuffing Box Gland (Iron)		
17	Gland Stud (Brass)	Q17-70-C2	Q17-70-C2	2		Gland Stud (Brass)			
	Gland Stud (SAE Grade 5)	Q17-70-E26	Q17-70-E26				Gland Stud (SAE Grade 5)		
17	Gland Nut (Brass)	Q18-8-C2	Q18-8-C2	2		Gland Nut (Brass)			
	Gland Nut (316 SS)	Q18-8-J4	Q18-8-J4				Gland Nut (316 SS)		
17	Gland Washer (Steel)	Q20-3-E4	Q20-3-E4	2		Gland Washer (Steel)			
29	Lantern Ring (Seal Cage) (Teflon)	A5350-V2	A5350-V2	1		Lantern Ring (Seal Cage) (Teflon)			
63	Stuffing Box Bushing (416 SS)	A6759-J2	A6759-J2	1		Stuffing Box Bushing (416 SS)			
	Male Elbow - .25 x .25 (Brass)	Q30-11-C2	Q30-11-C2				Male Elbow - .25 x .25 (Brass)		
-	Male Elbow - .25 x .25 (Steel)	Q30-11-E4	Q30-11-E4	2		Male Elbow - .25 x .25 (Steel)			

Repair Parts

4A Bearing Frame		6K	Qty	4A Bearing Frame		6K	Qty
2	Impeller (BRZ)	D32581P01-B12	1	MECHANICAL SEAL			
25	Suction Cover Ring (BRZ)	H1960-1-C9	1	17A	Seal Cap (Iron)	B8419-A2	1
	Suction Cover Ring (Iron)	H1960-1-A2	1	73D	Seal Cap Gasket (Cellulose)	A6500-L13	1
-	Double Wear Rings (BRZ)	A5849-C9 & A5850-C9	1 each	65 & 80	Mechanical Seal - STD	Q26-217-Y35	1
	Double Wear Rings (Iron)	A5849-A2 & A5850-A2	1 each	65 & 80	Mechanical Seal - Hot Water	Q26-217-Y6	1
1	Casing - 125#	6K-125-2		68	Seal Sleeve (Spacer) (BRZ)	A8494-C9	1
	Casing (DI)	C4719-30-A12	1		Seal Sleeve (Spacer) (416 SS)	A8494-J2	1
	Plugs	3217	6		Seal Sleeve (Spacer) (316 SS)	A8494-J4	1
73	Case Gasket - 125# (Cellulose)	A6083-L13	1	-	Male Elbow - .25 x .25 (Brass)	Q30-11-C2	2
9	Suction Cover - 125# (Iron)	4032-1-A2	1		Male Elbow - .25 x .25 (Steel)	Q30-11-E4	2
1	Casing - 250#	6K-250D-2		MECHANICAL SEAL			
	Casing (DI)	C4719-31-A12	1	14	Step Shaft Sleeve (BRZ)	A7460-C9	1
	Plugs	003217	6		Step Shaft Sleeve (416 SS)	A7460-J2	1
73	Case Gasket - 250# (Cellulose)	A7777-L13	1		Step Shaft Sleeve (316 SS)	A7460-J4	1
9	Suction Cover - 250# (DI)	C4723-10-A12	1	17A	Seal Cap (Iron)	B8419-1-A2	1
14	Shaft Sleeve (BRZ)	H1993-1-C9	1	73D	Seal Cap Gasket (Cellulose)	A6500-L13	1
	Shaft Sleeve (416 SS)	H1993-1-J2	1	65 & 80	Balanced Mech. Seal - STD	Q26-319-Y34	1
	Shaft Sleeve (316 SS)	H1993-1-J4	1	65 & 80	Balanced Mech. Seal - Tung. Car.	Q26-319-Y17	1
26	Impeller Screw (302 SS)	Q60-3-J3	1	-	Step Sleeve O-ring (Rubber)	Q41-34-K9	1
28	Impeller Screw Washer (302 SS)	A6680-J3	1	-	Tubing - Copper	Q30-6-C6TF	1
32	Impeller Key (303 SS)	Q21-5-J8	1	-	Tubing Steel (All Iron Pump)	Q30-6-E6	12"
-	2BA Bearing Frame	N/A	0	32	Impeller Key (303 SS)	Q21-63-J8	1
-	4BA Bearing Frame	SEE PAGE 93	1	-	Male Elbow - .25 x .25 (Brass)	Q30-11-C2	2
-	Tubing - Black Impolene	Q30-6-V6TF	1		Male Elbow - .25 x .25 (Steel)	Q30-11-E4	2
-	Vent Cook (Brass)	Q24-1-C2	1	PACKING			
-	Vent Cook (Steel)	Q24-1-E4	1	13	Packing	Q27-62-M2	1
17	Stuffing Box Gland (Brass)	A5198-3-B5	1	17	Stuffing Box Gland (Iron)	A5198-3-A2	1
17	Gland Stud (Brass)	Q17-70-C2	2		Gland Stud (SAE Grade 5)	Q17-70-E26	2
17	Gland Nut (Brass)	Q18-8-C2	2		Gland Nut (Brass)	Q18-8-C2	2
17	Gland Nut (316 SS)	Q18-8-J4	2		Gland Washer (Steel)	Q20-3-E4	2
29	Lantern Ring (Seal Cage) (Teflon)	A5350-V2	1	29	Lantern Ring (Seal Cage)	A5350-V2	1
63	Stuffing Box Bushing (416 SS)	A6759-J2	1		Male Elbow - .25 x .25 (Brass)	Q30-11-C2	2
-	Male Elbow - .25 x .25 (Brass)	Q30-11-C2	2		Male Elbow - .25 x .25 (Steel)	Q30-11-E4	2

SECTION RP
PAGE 104
DATE 11/16



PUMPS & SYSTEMS

Repair Parts

Bearing Frames		2BA	4BA	Quantity
41	Bearing Cap (Iron)	A7008-10-A2	A6055-3-A2	1
6	Shaft (Steel)	B8229-E22	B8226-E22	1
	Shaft (416 SS)	B8229-J2	B8226-J2	
19	Bearing Frame - 1.25" Shaft (Iron)	C7007-A2	C7304-A2	1
16	Inboard Bearing	052935	Q10-51-E4	1
18	Outboard Bearing	625-00719	052935	1
40	Deflector (Neoprene)	H1936-2-K2	H1936-10-K2	1
-	Shaft Key (303 SS)	Q21-39-J8	Q21-14-J8	1
-	Snap Ring (Steel)	Q27-57-E4	Q27-110-E4	1
-	Grease Fitting	Q32-20-E13	Q32-20-E13	2

