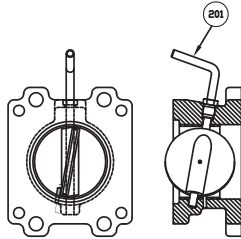
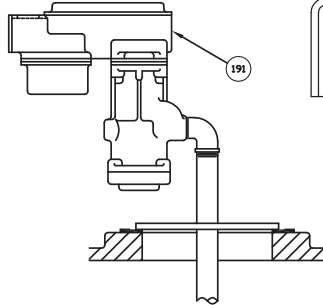


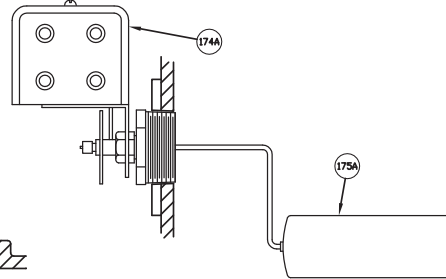
ISOLATION VALVE
(When Specified)



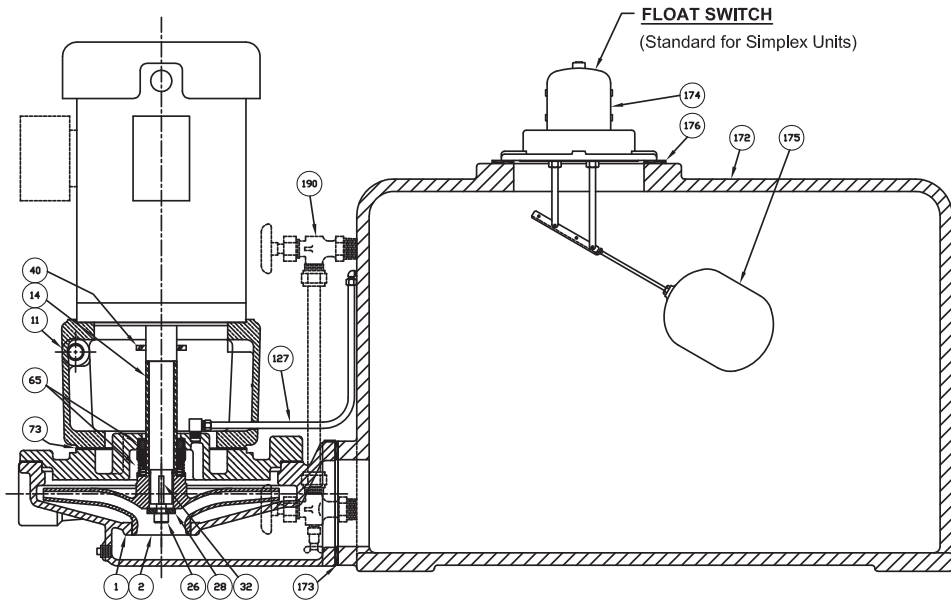
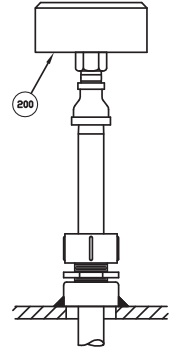
ELECTRIC WATER FEEDER
(When Specified)



SIDE MOUNTED ALTERNATOR
(Standard for Duplex Units)



HIGH WATER ALARM
(When Specified)



FLOAT SWITCH
(Standard for Simplex Units)



WARNING:
CANCER AND REPRODUCTIVE HARM -
WWW.P65WARNINGS.CA.GOV

Item No.	Name of Part	Materials of Construction	Item No.	Name of Part	Materials of Construction
1	Casing	Cast Iron	†80	Mechanical Shaft Seal (Rotating Element)	Carbon
* 2	Impeller	Bronze	127	Seal Vent Piping	Copper
11	Casing Cover	Cast Iron	172	Receiver	Cast Iron
* 14	Shaft Sleeve	Bronze	* 173	Receiver Gasket	Rubber
* 26	Impeller Screw	Stainless	174	Float Switch	Sq. D #9037
* 28	Impeller Screw Washer	Stainless	174A	Mechanical Alternator	Sq. D #9038
* 32	Impeller Key	Stainless	175	Float (Float Switch)	Copper
40	Deflector (Liquid)	Neoprene	175A	Float (Alternator)	Copper
†* 65	Mechanical Shaft Seal (Stationary Element)	Ni-Resist	176	Float Switch Gasket	Rubber
73	Casing Gasket	Cork-Cellulose	190	Water Gauge	Brass
			191	Make-up Valve (When Specified)	McDonnell #101

† Furnished only in Pairs as complete units

* For domestic service we recommend these parts be carried in stock as spares

Assembly Parts

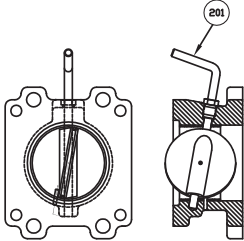


Types ACV & AEV Vertical Condensate Unit Cast Iron Receivers with Type 6 Mechanical Shaft Seal - Bulletin Repair Parts - 900

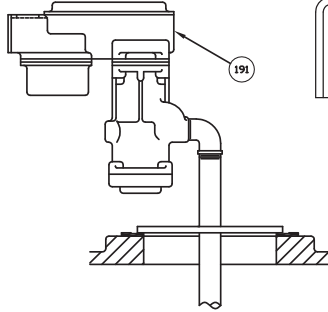
www.cranepumps.com

Repair Parts

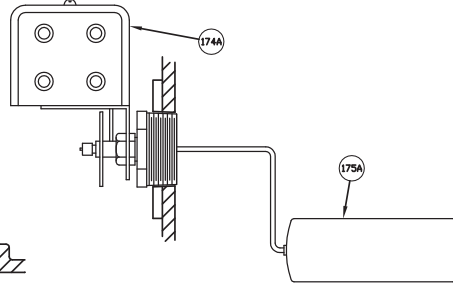
ISOLATION VALVE
(When Specified)



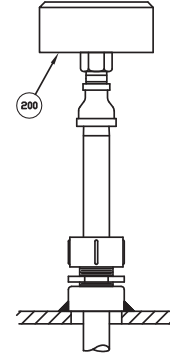
ELECTRIC WATER FEEDER
(When Specified)



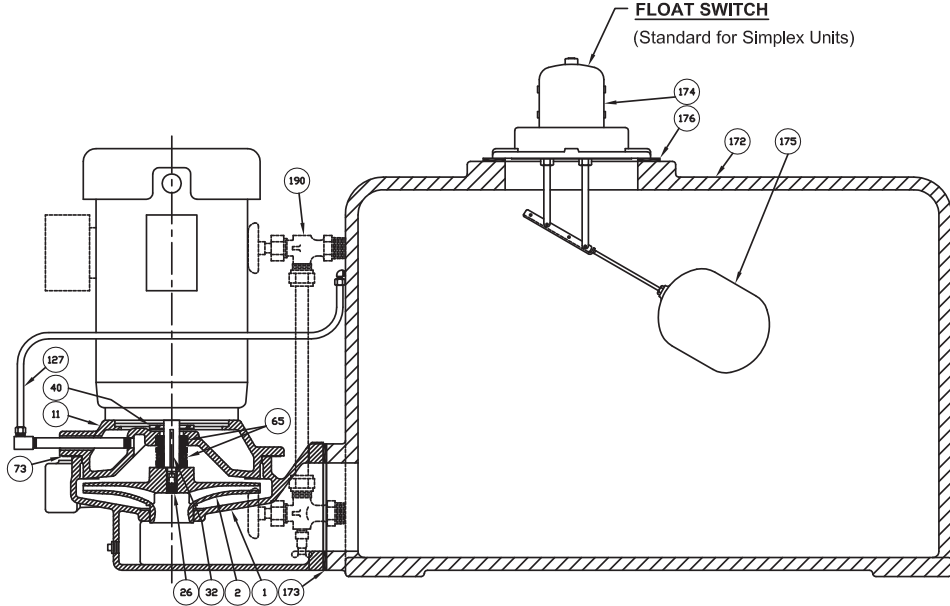
SIDE MOUNTED ALTERNATOR
(Standard for Duplex Units)



HIGH WATER ALARM
(When Specified)



FLOAT SWITCH
(Standard for Simplex Units)



WARNING:
CANCER AND REPRODUCTIVE HARM -
WWW.P65WARNINGS.CA.GOV

Item No.	Name of Part	Materials of Construction	Item No.	Name of Part	Materials of Construction
1	Casing	Cast Iron	†80	Mechanical Shaft Seal (Rotating Element)	Carbon
* 2	Impeller	Bronze		Seal Vent Piping	Copper
11	Casing Cover	Cast Iron	127	Receiver	Cast Iron
* 14	Shaft Sleeve	Bronze	172	Receiver Gasket	Rubber
* 26	Impeller Screw	Stainless	* 173	Float Switch	Sq. D #9037
* 28	Impeller Screw Washer	Stainless	174	Mechanical Alternator	Sq. D #9038
* 32	Impeller Key	Stainless	175	Float (Float Switch)	Copper
40	Deflector (Liquid)	Neoprene	175A	Float (Alternator)	Copper
†* 65	Mechanical Shaft Seal (Stationary Element)	Ni-Resist	176	Float Switch Gasket	Rubber
73	Casing Gasket	Cork-Cellulose	190	Water Gauge	Brass
			191	Make-up Valve (When Specified)	McDonnell #101

† Furnished only in Pairs as complete units

* For domestic service we recommend these parts be carried in stock as spares

SECTION RP
PAGE 162
DATE 10/18



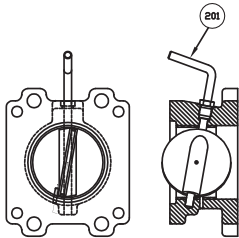
A Crane Co. Company

PUMPS & SYSTEMS

USA: (937) 778-8947 • Canada: (905) 457-6223 • International: (937) 615-3598

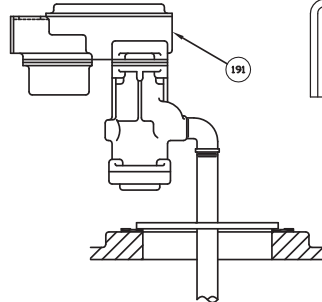
ISOLATION VALVE

(When Specified)



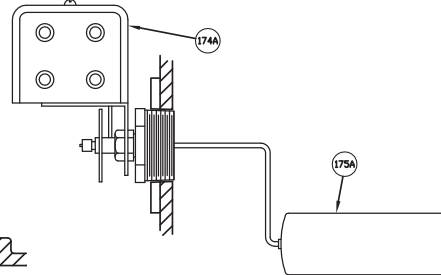
ELECTRIC WATER FEEDER

(When Specified)



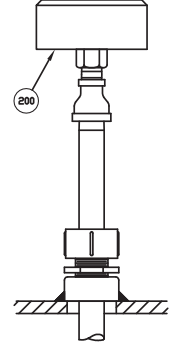
SIDE MOUNTED ALTERNATOR

(Standard for Duplex Units)



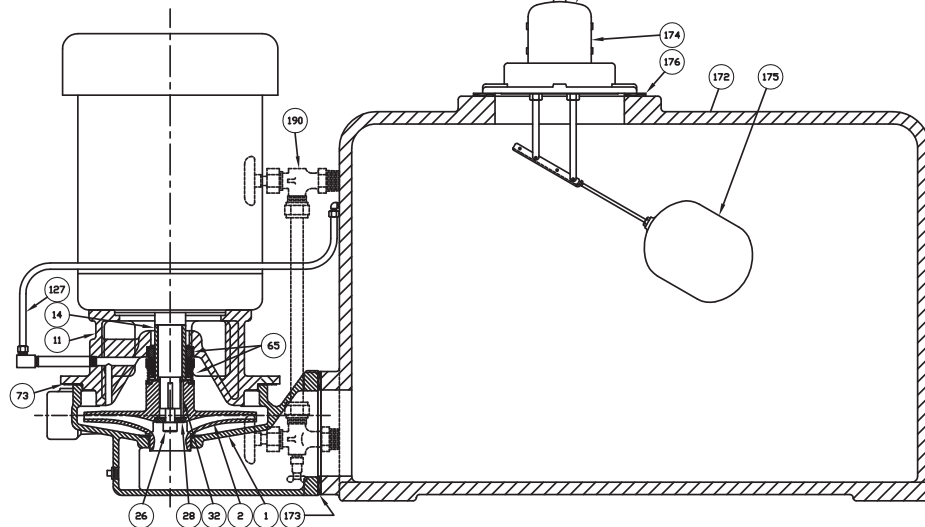
HIGH WATER ALARM

(When Specified)



FLOAT SWITCH

(Standard for Simplex Units)



WARNING:

CANCER AND REPRODUCTIVE HARM -
WWW.P65WARNINGS.CA.GOV

Item No.	Name of Part	Materials of Construction	Item No.	Name of Part	Materials of Construction
1	Casing	Cast Iron	127	Seal Vent Piping	Copper
* 2	Impeller	Bronze	172	Receiver	Cast Iron
* 14	Shaft Sleeve	Bronze	* 173	Receiver Gasket	Rubber
* 26	Impeller Screw	Stainless	174	Float Switch	Sq. D #9037
* 28	Impeller Screw Washer	Stainless	174A	Mechanical Alternator	Sq. D #9038
* 32	Impeller Key	Stainless	175	Float (Float Switch)	Copper
40	Deflector (Liquid)	Neoprene	175A	Float (Alternator)	Copper
†* 65	Mechanical Shaft Seal (Stationary Element)	Ni-Resist	176	Float Switch Gasket	Rubber
73	Casing Gasket	Cork-Cellulose	190	Water Gauge	Brass
†80	Mechanical Shaft Seal (Rotating Element)	Carbon	191	Make-up Valve (When Specified)	McDonnell #101

† Furnished only in Pairs as complete units

* For domestic service we recommend these parts be carried in stock as spares

Repair Parts

900 Series Cast Iron Receiver	10C	20C	30C	45C	67C	100C	Qty.
Simplex							
Blank Flange (Steel)	A5670-E4	A5670-E4	A5670-E4	A5670-E4	A5670-E4		1
Blank Flange (Steel)	A5671-E4	A5671-E4	A5671-E4	A5671-E4	A5671-E4		1
176 Float Gasket (Rubber)	A6579-L6	A6579-L6	A6579-L6	A6579-L6	A6579-L6		1
173 Receiver Gasket (Rubber)	A8386-L6	A8386-L6	A8386-L6	A8386-L6	A8386-L6		1
Switch Plate (Steel)	B8283-1-E4	B8283-1-E4	B8283-1-E4	B8283-1-E4	B8283-1-E4		1
Receiver Gasket (Cellulose)	B8285-1-L13	B8285-1-L13	B8285-1-L13	B8285-1-L13	B8285-1-L13		1
172 Receiver (Iron)	4506-1-A2	C5555-10-A2	C8278-A2	C5557-10-A2	C5558-10-A2		1
190 Water Gauge Assembly (Brass)	Q46-7-C2	Q46-7-C2	Q46-7-C2	Q46-7-C2	Q46-7-C2		1
Water Gauge Valve Assembly (Brass)	Q46-14-C2	Q46-14-C2	Q46-14-C2	Q46-14-C2	Q46-14-C2		1
Water Gauge Glass Tube	Q46-15	Q46-15	Q46-15	Q46-15	Q46-15		1
Brass water Gauge Rod	Q46-16	Q46-16	Q46-16	Q46-16	Q46-16		1
174 Float Switch Assembly	Q51-61	Q51-61	Q51-61	Q51-61	Q51-61		1
Float Switch	Q51-62	Q51-62	Q51-62	Q51-62	Q51-62		1
Float Rod	Q51-67	Q51-67	Q51-67	Q51-67	Q51-67		1
175 Float (303 SS)	Q55-7-J8	Q55-7-J8	Q55-7-J8	Q55-7-J8	Q55-7-J8		1
191 Make-up Valve	Q47-18	Q47-18	Q47-18	Q47-18	Q47-18		1
191A McDonnell 101A Feeder	Q47-18-KIT	Q47-18-KIT	Q47-18-KIT	Q47-18-KIT	Q47-18-KIT		1
Water Feeder Kit							
Q48-18-(1)							
A5695-E4-(1)							
Q29-145-E4-(1)							
Q51-61R-(1)							
Options:							
2" Y-Strainer	Q48-7-A2-KIT	Q48-7-A2-KIT					1
2½" Y-Strainer			Q48-27-A2-KIT				1
3" Y-Strainer					Q48-15-A2-KIT		1
4" Strainer							1
Isolation Valve	67635	67635	67635	67635	67635		1
Thermometer	Q59-51	Q59-51	Q59-51	Q59-51	Q59-51		1

For Pump P/N refer to Section 120

900 Series Cast Iron Receiver	D10C	D20C	D30C	D45C	D67C	D100C	Qty.
Duplex							
Blank Flange (Steel)	A5670-E4	A5670-E4	A5670-E4	A5670-E4	A5670-E4		1
176 Float Gasket (Steel)	A6579-E4	A6579-E4	A6579-E4	A6579-E4	A6579-E4		1
173 Receiver Gasket (Rubber)	A8386-L6	A8386-L6	A8386-L6	A8386-L6	A8386-L6		1
Switch Plate (Steel)	B8283-1-E4	B8283-1-E4	B8283-1-E4	B8283-1-E4	B8283-1-E4		1
Receiver Gasket (Cellulose)	B8285-1-L13	B8285-1-L13	B8285-1-L13	B8285-1-L13	B8285-1-L13		1
172 Receiver (Iron)	4506-1-A2	C5555-10-A2	C8278-A2	C5557-10-A2	C5558-10-A2		1
190 Water Gauge Assembly (Brass)	Q46-7-C2	Q46-7-C2	Q46-7-C2	Q46-7-C2	Q46-7-C2		1
Water Gauge Valve Assembly (Brass)	Q46-14-C2	Q46-14-C2	Q46-14-C2	Q46-14-C2	Q46-14-C2		1
Water Gauge Glass Tube	Q46-15	Q46-15	Q46-15	Q46-15	Q46-15		1
Brass water Gauge Rod	Q46-16	Q46-16	Q46-16	Q46-16	Q46-16		1
174 Float Switch Assembly	Q51-61	Q51-61	Q51-61	Q51-61	Q51-61		1
Float Switch	Q51-62	Q51-62	Q51-62	Q51-62	Q51-62		1
Float Rod	Q51-67	Q51-67	Q51-67	Q51-67	Q51-67		1
175 Float (303 SS)	Q55-7-J8	Q55-7-J8	Q55-7-J8	Q55-7-J8	Q55-7-J8		1
191 Make-up Valve	Q47-18	Q47-18	Q47-18	Q47-18	Q47-18		1
191A McDonnell 101A Feeder	Q47-18-KIT	Q47-18-KIT	Q47-18-KIT	Q47-18-KIT	Q47-18-KIT		1
Water Feeder Kit							
Q48-18-(1)							
A5695-E4-(1)							
Q29-145-E4-(1)							
Q51-61R-(1)							
Options:							
2" Y-Strainer	Q48-7-A2-KIT	Q48-7-A2-KIT					1
2½" Y-Strainer			Q48-27-A2-KIT				1
3" Y-Strainer				Q48-15-A2-KIT	Q48-15-A2-KIT		1
4" Strainer							1
Isolation Valve	67635	67635	67635	67635	67635		1
Thermometer	Q59-51	Q59-51	Q59-51	Q59-51	Q59-51		1

For Pump P/N refer to Section 120