

Product information presented here reflects conditions at time of publication. Consult factory regarding discrepancies or inconsistencies.



MAIL TO: P.O. BOX 16347 • Louisville, KY 40256-0347
SHIP TO: 3649 Cane Run Road • Louisville, KY 40211-1961
TEL: (502) 778-2731 • 1 (800) 928-PUMP • **FAX:** (502) 774-3624

Visit our web site:
zoellerpumps.com

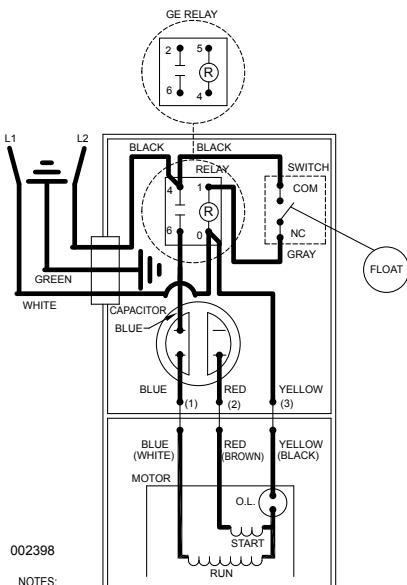
REPLACEMENT PARTS LIST FOR MODELS: M161 AUTOMATIC 115V D161 AUTOMATIC 230V N161 NONAUTOMATIC 115V E161 NONAUTOMATIC 230V

Consult factory for all other Models

TO ORDER REPLACEMENT PARTS:

PLEASE FURNISH THE
FOLLOWING INFORMATION:

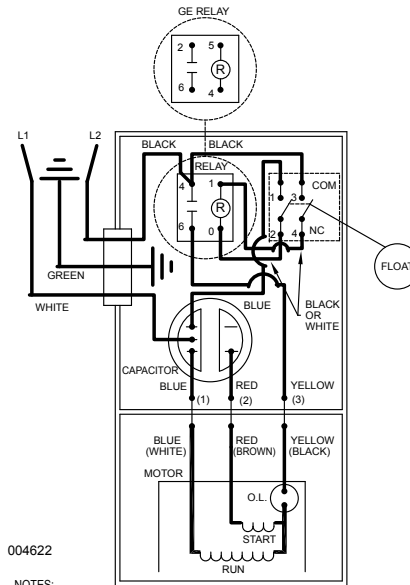
- Model Number.
- Part Number of Pump.
(If manufactured prior to June 1988, give 2 letter date code following Model No.)
- Part Number and Description of part.



NOTES:

INSULATORS REQUIRED ON GE RELAY TERMINALS 2 & 5;
OMRON RELAY TERMINALS 1 & 4.

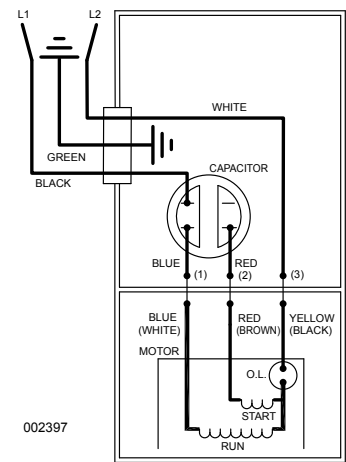
WIRING DIAGRAM FOR MODELS
"M161-A" and "D161-A"
2/85 (NR) thru 8/86 (US)



NOTES:

INSULATORS REQUIRED ON GE RELAY TERMINALS 2 & 5;
OMRON RELAY TERMINALS 1 & 4.

WIRING DIAGRAM FOR MODELS
"M161-B", "M161-C", "M161-D", "M161-E", "M161-G"
"D161-B", "D161-D"
9/86 (VS) to Current



WIRING DIAGRAM FOR MODELS
"N161-A", "N161-B", "N161-C", "N161-D", "N161-E", "N161-F"
"E161-A", "E161-B", "E161-C"
2/85 (NR) to Current

REPLACEMENT PARTS LIST FOR MODELS "M161"

See page 6 for "M161" illustration.

REF. NO.	DESCRIPTION	QTY	NOTES	MODELS: M161-A						
				M161-A	M161-B	M161-C	M161-D	M161-E	M161-F	M161-G
				2/85 NR thru 8/86 US	9/86 VS thru 8/90	9/90 thru 10/98	11/98 thru 4/03	5/03 thru 11/09	12/09 thru 1/16	2/16 thru Current
1	Case, Sw. & Cord	1	2,3	002506	004746	006292	006292	014155	014155	014155
2	• Handle	1		217069	217069	217069	217069	217069	217069	217069
3	Cord, Term & Seal	1	3	002507	002507	006290	006290	014168	014168	014168
4	Clamp, Strain Relief	1	3	001770	001770	NA	NA	013764	013764	013764
5	• Seal, Cord-Asm & Str Rlf	1	3	094032	094032	004375	004375	015634	015634	015634
6	Case-Mach	1	2,3	004746	004614	004633	004633	014154	014154	014154
7	• Guard	1		001023	001023	001023	001023	001023	001023	001023
8	• Arm & Seal Asm	1	2	002379	004745	004745	004745	004745	004745	004745
9	• Gasket, Case/Cover	1		001011	001011	001011	001011	001011	001011	001011
10	Switch Asm	1	2	002380	004744	004744	004744	004744	004744	004744
□	Lead Wire (Gray)	1		002609	002609	002609	NA	NA	NA	NA
11	• Wire Pkg (5) Wires	1		001070	004749	004749	004749	004749	004749	004749
12	Capacitor & Clamp Asm	1		003575	003575	003575	003575	003575	003575	003575
13	Relay	1		217092	217092	217092	217092	217092	217092	153832
14	Float, Plastic	1		094039	094039	094039	094039	094039	094039	094039
15	Guide Asm, Fit Rod	1		001072	001072	001072	001072	001072	001072	001072
16	Rod Asm, Fit	1		003083	003083	003083	003083	003083	150439	150439
17	Housing, Mtr-& Str	1	1,6	002497	002497	002497	002497	002497	150580	150580
18	Bearing, Upper Sleeve	1		001012	001012	001012	001012	001012	NA	NA
	Bearing, Upper Ball	1		NA	NA	NA	NA	NA	006703	006703
19	• Plug, Test-White	2		034090	034090	034090	034090	034090	034090	034090
20	• Seal, Thru Wall Term	3		003402	003402	003402	003402	003402	003402	003402
21	Rotor & Brg	1	6	002701	002701	002701	002701	002701	150574	150574
22	Bearing, Radial	1		001013	001013	001013	001013	001013	010069	010069
23	• Seal, Mtr Hsg	1		001014	001014	001014	001014	001014	001014	001014
24	• Oil, Dielectric	1		002383	002383	002383	002383	003168	011066	011066
25	Adapter-Mach	1		001003	001003	001003	001003	001003	001003	001003
26	• Seal, Shaft	1		002430	002430	002430	002430	002430	002430	002430
27	Flange Pkg 2" Npt	1		10-1305	10-1305	10-1305	10-1305	10-1305	10-1305	10-1305
	Flange Pkg 3" Npt	1		10-1306	10-1306	10-1306	10-1306	10-1306	10-1306	10-1306
28	Impeller "161"	1		004307	004307	004307	004307	004307	004307	004307
29	Housing, Pump-Mach	1		004188	004188	004188	004188	004188	004188	004188
30	Strainer Plate	1		137008	137008	137008	137008	137008	137008	137008
31	• Screw, .25-20 X .75 HHm-SS	4		001916	001916	001916	001916	001916	001916	001916
32	• Screw, .313-18 X 1" HH Cap-SS	4		002608	002608	002608	002608	002608	002608	002608
33	• Screw, #10-24 X.375 RHM-SI SS	2		001883	001883	001883	001883	001883	001883	001883
34	• Screw, #6-32x.438 Rhsltp"1"Stlzi	2		001877	004644	004644	004644	004644	004644	004644
35	• Sem, 10-24x.375HH-SI Tc.688 Wash	2		002000	002000	002000	002000	002000	002000	002000
36	• Washer, SS-1.25"Odx.562"ldx.078	2		002115	002115	002115	002115	002115	002115	002115
37	• Screw, .5-13 X 2 HH Cap-SS	2		001909	001909	001909	001909	001909	001909	001909
38	• Screw, #6-32x.25RHM SI Tc Stlgr	5		001877	001877	001877	001877	001877	001877	001877
39	• Screw, .25-20x1" HHm-SS	4		007790	007790	007790	007790	007790	007790	007790
□	Rebuild Kit			002509	004747	004747	004747	016103	019647	019647

□ Items included in Rebuild Kit.

□ Not shown in illustration.

NOTES:

- 1) Mtr. Hsg., Brg., Stator & Term. (Item 17) is preassembled at the factory and must be replaced as a unit. Stator is permanently attached to the Motor Housing. Plug (Item 19); Seal, Thru Wall Term. (Item 20) and Bearing - Upper (Item 18) are replaceable.
- 2) When ordering these parts, customer must identify if switch is a General Electric switch.
- 3) If an "X" follows Model No., or Date Mfg. on ID tag, consult factory for ordering of this part.
- 4) See FM0160 Parts Price Sheet for listing of parts prices.
- 5) "NA" indicates, not applicable.
- 6) When ordering specify either GE or Emerson Motor.

REPLACEMENT PARTS LIST FOR MODELS "D161"

See page 6 for "D161" illustration.

REF. NO.	DESCRIPTION	QTY	NOTES	MODELS: D161-A			
				D161-B	D161-C	D161-D	
				2/85 NR thru 8/86 US	9/86 VS thru 11/09	12/09 thru 1/16	2/16 thru Current
1	Case, Sw.& Cord	1	2,3	002378	004748	004748	004748
2	• Handle	1		217069	217069	217069	217069
3	Cord, Term & Seal	1	3	002429	002429	002429	002429
4	Clamp, Strain Relief	1	3	001770	001770	001770	001770
5	• Seal, Cord-Asm & Str Rlf	1	3	094032	094032	094032	094032
6	Case-Mach	1	2,3	001007	004614	004614	004614
7	• Guard	1		001023	001023	001023	001023
8	• Arm & Seal Asm	1	2	002379	004745	004745	004745
9	• Gasket, Case/Cover	1		001011	001011	001011	001011
10	Switch Asm	1	2	002380	004744	004744	004744
11	• Wire Pkg (5) Wires	1		001070	004749	004749	004749
12	Capacitor & Clamp Asm	1		002381	002381	002381	002381
13	Relay	1		217093	217093	217093	153833
14	Float, Plastic	1		094039	094039	094039	094039
15	Guide Asm, Fit Rod	1		001072	001072	001072	001072
16	Rod Asm, Fit	1		003083	003083	150439	150439
17	Housing, Mtr & Str	1	1,6	002504	002504	150582	150582
18	Bearing, Sleeve	1		001012	001012	NA	NA
	Bearing, Upper Ball	1		NA	NA	006703	006703
19	• Plug, Test-White	2		034090	034090	034090	034090
20	• Seal, Thru Wall Term	3		003402	003402	003402	003402
21	Rotor & Brg	1	6	002691	002691	150575	150575
22	Bearing, Radial	1		001013	001013	010069	010069
23	• Seal, Mtr Hsg	1		001014	001014	001014	001014
24	• Oil, Dielectric	1		002383	002383	011066	011066
25	Adapter-Mach	1		001003	001003	001003	001003
26	• Seal, Shaft	1		002430	002430	002430	002430
27	Flange Pkg 2" Npt	1		10-1305	10-1305	10-1305	10-1305
	Flange Pkg 3" Npt	1		10-1306	10-1306	10-1306	10-1306
28	Impeller "161"	1		004307	004307	004307	004307
29	Housing,Pump-Mach	1		004188	004188	004188	004188
30	Strainer Plate	1		137008	137008	137008	137008
31	• Screw, .25-20 X .75 HHm-SS	4		001916	001916	001916	001916
32	• Screw, .313-18 X 1" HH Cap-SS	4		002608	002608	002608	002608
33	• Screw, #10-24 X.375 RHM-SI SS	2		001883	001883	001883	001883
34	• Screw, #6-32x.438 Rhsltp1" Stlzi	2		001877	004644	004644	004644
35	• Sem, 10-24x.375HH-SI Tc.688 Wash	2		002000	002000	002000	002000
36	• Washer, SS-1.25"Odx.562"Idx.078	2		002115	002115	002115	002115
37	• Screw, .5-13 X 2 HH Cap-SS	2		001909	001909	001909	001909
38	• Screw, #6-32x.25RHM SI Tc Stlgr	5		001877	001877	001877	001877
39	• Screw, .25-20x1" HHm-SS	4		007790	007790	007790	007790
□	Rebuild Kit			002509	004747	019647	019647

• Items included in Rebuild Kit.

□ Not shown in illustration.

NOTES:

- 1) Mtr. Hsg., Brg., Stator & Term. (Item 17) is preassembled at the factory and must be replaced as a unit. Stator is permanently attached to the Motor Housing. Plug (Item 19); Seal, Thru Wall Term. (Item 20) and Bearing - Upper (Item 18) are replaceable.
- 2) When ordering these parts, customer must identify if switch is a General Electric switch.
- 3) If an "X" follows Model No., or Date Mfg. on ID tag, consult factory for ordering of this part.
- 4) See FM0160 Parts Price Sheet for listing of parts prices.
- 5) "NA" indicates, not applicable.
- 6) When ordering specify either GE or Emerson Motor.

REPLACEMENT PARTS LIST FOR MODELS "N161"

See page 6 for "N161" illustration.

REF. NO.	DESCRIPTION	QTY	NOTES	MODELS: N161-A					
				2/85 NR thru 8/86 US	9/86 VS thru 8/90	9/90 thru 10/98	11/98 thru 4/03	5/03 thru 11/09	12/09 thru Current
1	• Handle	1		217069	217069	217069	217069	217069	217069
2	Cover & Cord	1	2	002499	002499	006293	006293	014158	014158
3	Cord, Term, & Seal	1	2	002508	002508	006291	006291	014169	014169
4	Clamp, Strain Relief	1	2	001770	001770	001770	001770	013764	013764
5	Seal Asm., Cord & Strain Relief	1	2	094032	094032	004375	004375	015634	015634
6	Cover-Mach	1	2,3	001077	001077	004372	004372	014150	014150
7	• Gasket, Case/Cover	1		001011	001011	001011	001011	001011	001011
8	• Wire Pkg (5) Wires	1		001070	004749	004749	004749	004749	004749
9	Capacitor & Clamp Asm	1		003575	003575	003575	003575	003575	003575
10	Housing, Mtr & Str	1	1,5	002497	002497	002497	002497	002497	150580
11	Bearing, Sleeve	1		001012	001012	001012	001012	001012	NA
	Bearing, Upper Ball	1		NA	NA	NA	NA	NA	006703
12	• Plug, Test-White	2		034090	034090	034090	034090	034090	034090
13	Seal Thru Wall Term	3		003402	003402	003402	003402	003402	003402
14	Rotor & Brg	1	5	002701	002701	002701	002701	002701	150574
15	Bearing, Radial	1		001013	001013	001013	001013	001013	010069
16	• Seal, Mtr Hsg	1		001014	001014	001014	001014	001014	001014
17	• Oil, Dielectric	1		002383	002383	002383	002383	003168	011066
18	Adapter-Mach	1		001003	001003	001003	001003	001003	001003
19	• Seal, Shaft	1		002430	002430	002430	002430	002430	002430
20	Flange Pkg 2" Npt	1		10-1305	10-1305	10-1305	10-1305	10-1305	10-1305
	Flange Pkg 3" Npt	1		10-1306	10-1306	10-1306	10-1306	10-1306	10-1306
21	Impeller "161"	1		004307	004307	004307	004307	004307	004307
22	Housing, Pump-Mach	1		004188	004188	004188	004188	004188	004188
23	Strainer Plate	1		137008	137008	137008	137008	137008	137008
24	• Screw, .25-20 X .75 HHm-SS	4		001916	001916	001916	001916	001916	001916
25	• Screw, .313-18 X 1"HH Cap-SS	4		002608	002608	002608	002608	002608	002608
26	• Screw, #10-24 X.375 RHM-SI SS	2		001883	001883	001883	001883	001883	001883
27	• Sem, 10-24x.375HH-SI Tc.688 Wash	2		002000	002000	002000	002000	002000	002000
28	• Screw, .5-13 X 2 HH Cap-SS	2		001909	001909	001909	001909	001909	001909
29	• Washer, SS-1.25"Odx.562"Idx.078	2		002115	002115	002115	002115	002115	002115
30	• Screw, #6-32x.25RHM SI Tc Stlgr	4		001877	001877	001877	001877	001877	001877
31	• Screw, .25-20x1" HHm-SS	4		007790	007790	007790	007790	007790	007790
▣	Rebuild Kit			002509	004747	004747	004747	014193	019648

• Items included in Rebuild Kit.

▣ Not shown in illustration.

NOTES:

- 1) Mtr. Hsg., Brg., Stator & Term. (Item 10) is preassembled at the factory and must be replaced as a unit. Stator is permanently attached to the Motor Housing. Plug (Item 12); Seal, Thru Wall Term. (Item 13) and Bearing - Upper (Item 15) are replaceable.
- 2) If an "X" follows Model No., or Date Mfg. on ID tag, consult factory for ordering of this part.
- 3) See FM0160 Parts Price Sheet for listing of parts prices.
- 4) "NA" indicates, not applicable.
- 5) When ordering specify either GE or Emerson Motor.

REPLACEMENT PARTS LIST FOR MODELS "E161"

See page 6 for "E161" illustration.

REF. NO.	DESCRIPTION	QTY	NOTES	MODELS: E161-A		
				2/85 NR thru 8/86 US	E161-B	E161-C
1	• Handle	1		217069	217069	217069
2	Cover & Cord	1	2	002401	002401	002401
3	Cord, Term, & Seal	1	2	002402	002402	002402
4	Clamp, Strain Relief	1	2	001770	001770	001770
5	Seal Asm., Cord & Strain Relief	1	2	094032	094032	094032
6	Cover-Mach	1	2,3	001077	001077	001077
7	• Gasket, Case/Cover	1		001011	001011	001011
8	• Wire Pkg (5) Wires	1		001070	004749	004749
9	Capacitor & Clamp Asm	1		002381	002381	002381
10	Housing, Mtr-& Str	1	1,5	002504	002504	150582
11	Bearing, Sleeve	1		001012	001012	NA
	Bearing, Upper Ball	1		NA	NA	006703
12	• Plug, Test-White	2		034090	034090	034090
13	Seal Thru Wall Term	3		003402	003402	003402
14	Rotor & Brg	1	5	002701	002701	150575
15	Bearing, Radial	1		001013	001013	010069
16	• Seal, Mtr Hsg	1		001014	001014	001014
17	• Oil, Dielectric	1		002383	002383	011066
18	Adapter-Mach	1		001003	001003	001003
19	• Seal, Shaft	1		002430	002430	002430
20	Flange Pkg 2" Npt	1		10-1305	10-1305	10-1305
	Flange Pkg 3" Npt	1		10-1306	10-1306	10-1306
21	Impeller "161"	1		004307	004307	004307
22	Housing, Pump-Mach	1		004188	004188	004188
23	Strainer Plate	1		137008	137008	137008
24	• Screw, .25-20 X .75 HHm-SS	4		001916	001916	001916
25	• Screw, .313-18 X 1"HH Cap-SS	4		002608	002608	002608
26	• Screw, #10-24 X.375 RHM-SI SS	2		001883	001883	001883
27	• Sem, 10-24x.375HH-SI Tc.688 Wash	2		002000	002000	002000
28	• Screw, .5-13 X 2 HH Cap-SS	2		001909	001909	001909
29	• Washer, SS-1.25"Odx.562"Idx.078	2		002115	002115	002115
30	• Screw, #6-32x.25RHM SI Tc Stlgr	4		001877	001877	001877
31	• Screw, .25-20x1" HHm-SS	4		007790	007790	007790
□	Rebuild Kit			002509	004747	019648

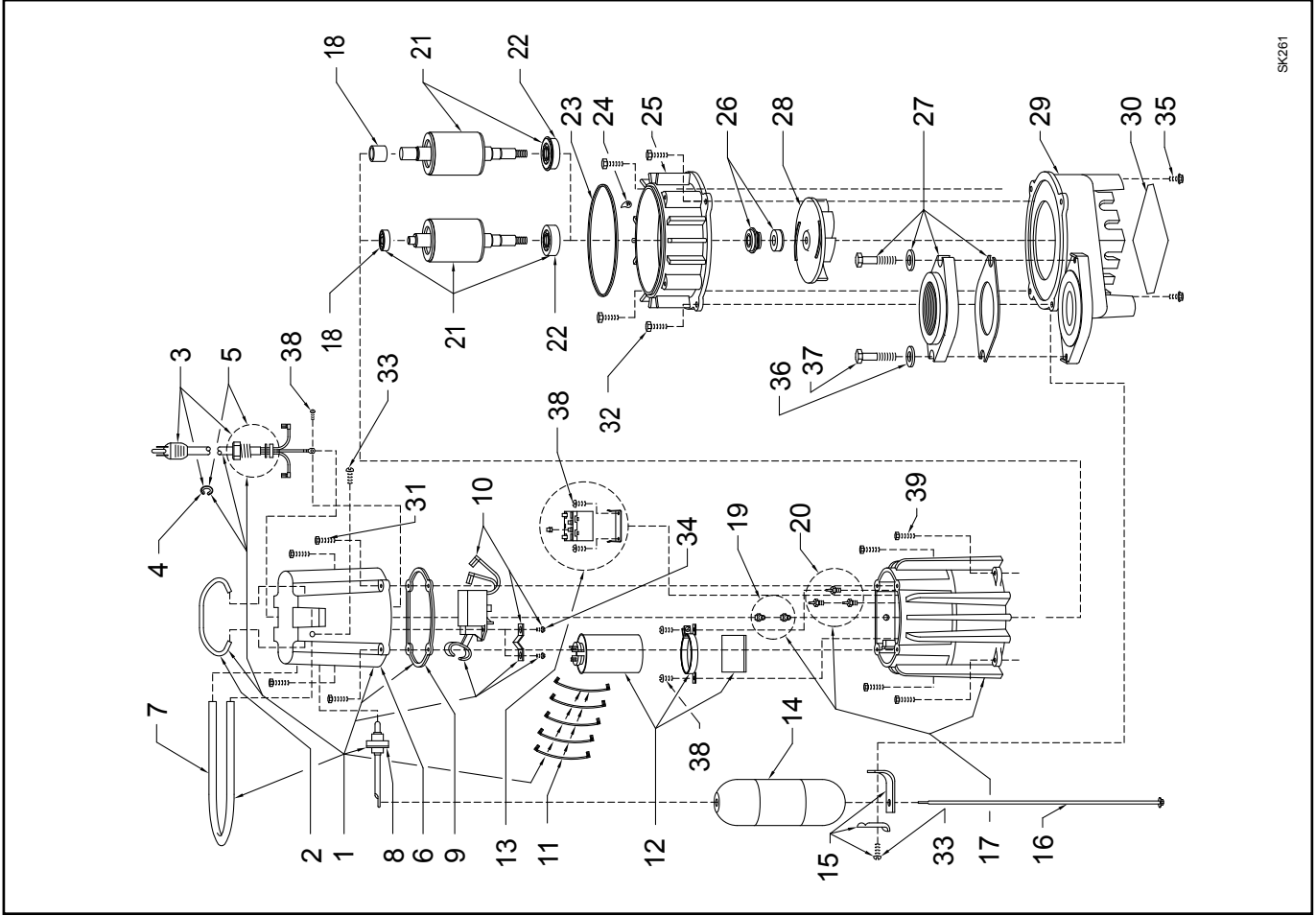
• Items included in Rebuild Kit.

□ Not shown in illustration.

NOTES:

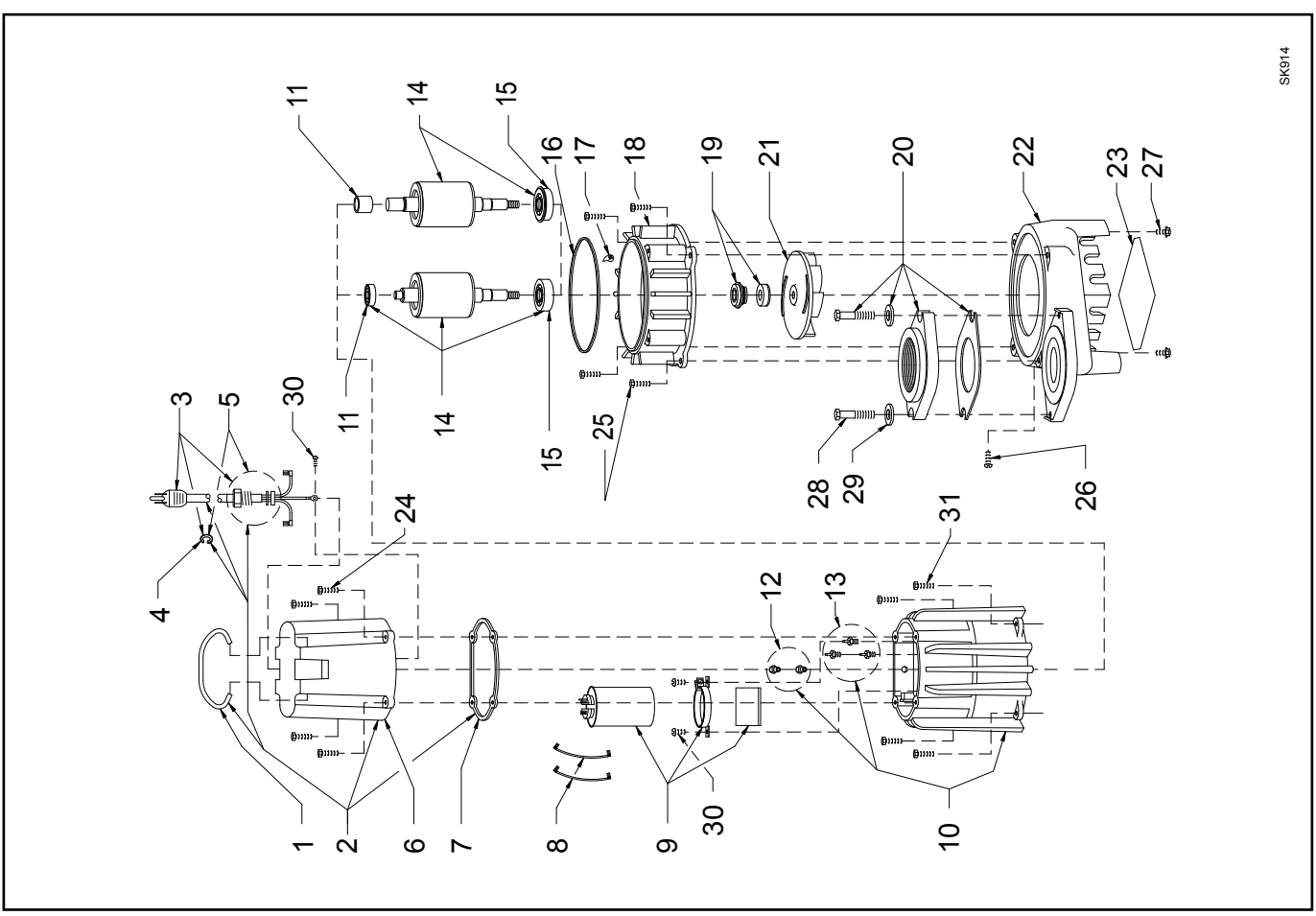
- 1) Mtr. Hsg., Brg., Stator & Term. (Item 10) is preassembled at the factory and must be replaced as a unit. Stator is permanently attached to the Motor Housing. Plug (Item 12); Seal, Thru Wall Term. (Item 13) and Bearing - Upper (Item 15) are replaceable.
- 2) If an "X" follows Model No., or Date Mfg. on ID tag, consult factory for ordering of this part.
- 3) See FM0160 Parts Price Sheet for listing of parts prices.
- 4) "NA" indicates, not applicable.
- 5) When ordering specify either GE or Emerson Motor.

REPLACEMENT PARTS ILLUSTRATION FOR MODELS "M161" AND "D161"



SK261

REPLACEMENT PARTS ILLUSTRATION FOR MODELS "N161" AND "E161"



SK914

NOTES



MAIL TO: P.O. BOX 16347 • Louisville, KY 40256-0347
SHIP TO: 3649 Cane Run Road • Louisville, KY 40211-1961
(502) 778-2731 • 1 (800) 928-PUMP • **FAX** (502) 774-3624

Visit our web site:
zoellerpumps.com

Trusted. Tested. Tough.™