

Product information presented here reflects conditions at time of publication. Consult factory regarding discrepancies or inconsistencies.



MAIL TO: P.O. BOX 16347 • Louisville, KY 40256-0347
SHIP TO: 3649 Cane Run Road • Louisville, KY 40211-1961
TEL: (502) 778-2731 • 1 (800) 928-PUMP • FAX: (502) 774-3624

Visit our web site:
zoellerpumps.com

REPLACEMENT PARTS LIST FOR MODELS:

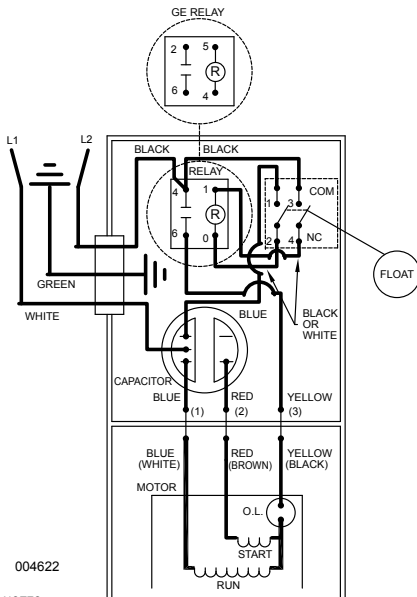
- H189 AUTOMATIC 200V/1PH
- I189 NONAUTOMATIC 200V/1PH
- J189 NONAUTOMATIC 200V/3PH
- F189 NONAUTOMATIC 230V/3PH
- G189 NONAUTOMATIC 460V/3PH
- BA189 NONAUTOMATIC 575V/3PH

Consult factory for all other models.

TO ORDER REPLACEMENT PARTS:

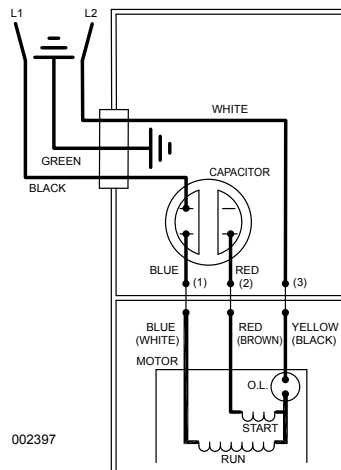
PLEASE FURNISH THE FOLLOWING INFORMATION:

- Model number
- Part number of pump
(If manufactured prior to June 1988, give 2-letter date code following model no.)
- Part number and description of part

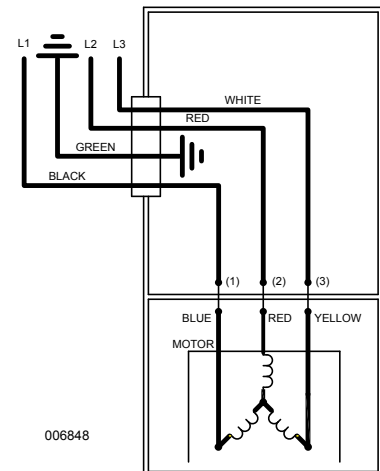


NOTES:
INSULATORS REQUIRED ON GE RELAY TERMINALS 2 & 5;
OMRON RELAY TERMINALS 1 & 4.

WIRING DIAGRAM FOR MODEL
"H189" All Revisions
5/86 (RS) thru Current



WIRING DIAGRAM FOR MODEL
"I189" All Revisions
5/86 (RS) thru Current



WIRING DIAGRAM FOR MODELS
"J189", All Revisions, 5/86 (RS) thru Current
"F189" All Revisions, 5/86 (RS) thru Current
"G189" All Revisions, 5/86 (RS) thru Current
"BA189" All Revisions, 11/91 thru Current

REPLACEMENT PARTS LIST FOR MODELS "H189"

See page 7 for "H189" illustration.

REF. NO.	DESCRIPTION	QTY	NOTES	MODELS: H189-A				
				H189-B	H189-C	H189-D	H189-E	
				5/86 RS thru 5/87 RT	6/87 ST thru 4/03	5/03 thru 5/08	6/08 thru 1/16	2/16 thru Current
1	Case Switch & Cord	1	2,3	014332	014332	014157	014157	014157
2	• Handle	1		217069	217069	217069	217069	217069
3	Cord Term & Seal	1	3	014331	014331	014170	014170	014170
4	Clamp, Strain Relief	1	3	001769	001769	013764	013764	013764
5	• Seal, Cord - Assembly & Str Relief	1	3	004375	004375	015634	015634	015634
6	Case - Mach	1	3	014332	004633	014154	014154	014154
7	• Guard	1		001023	001023	001023	001023	001023
8	• Arm & Seal Assembly	1	2	002379	004745	004745	004745	004745
9	• Gasket, Case / Cover	1		001011	001011	001011	001011	001011
10	Switch Assembly	1	2	004206	004744	004744	004744	004744
11	• Wire Pkg (5) Wires	1		004174	004751	004751	004751	004751
12	Capacitor & Clamp Assembly	1		006135	006135	006135	006135	006135
13	Relay	1		217093	217093	217093	217093	153833
14	Float, Plastic	1		094039	094039	094039	094039	094039
15	Guide Asm, Float Rod	1		001072	001072	001072	001072	001072
16	Rod Asm, Float	1		003083	003083	003083	003083	003083
17	Housing, Motor & Str	1	1	005204	005204	005204	019234	019234
18	Bearing, Sleeve	1		001012	001012	001012	NA	NA
	Bearing, Radial			NA	NA	NA	006703	006703
19	• Plug, Test - White	2		034090	034090	034090	034090	034090
20	• Seal, Thru Wall Term	3		003402	003402	003402	003402	003402
21	Rotor & Brg	1		005205	005205	005205	019225	019225
22	• Bearing, Upper Sleeve	1		001013	001013	001013	010069	010069
23	• Seal, Motor Housing	1		001014	001014	001014	001014	001014
24	• Oil, Dielectric	1		003168	003168	003168	011066	011066
25	Adapter - Mach	1		001003	001003	001003	001003	001003
26	• Seal, Shaft	1		002430	002430	002430	002430	002430
27	Flange Pkg 2" NPT	1		217024	217024	217024	217024	217024
	Flange Pkg 3" NPT	1		317024	317024	317024	317024	317024
28	Impeller "189"	1		004207	004207	004207	004207	004207
29	Housing, Pump - Mach	1		004198	004188	004188	004188	004188
30	Strainer Plate	1		137008	137008	137008	137008	137008
31	• Screw, .25 - 20 x .75 HHm - SS	4		001916	001916	001916	001916	001916
32	• Screw, .313 - 18 x 1" HH Cap - SS	4		002608	002608	002608	002608	002608
33	• Screw, #10 - 24 x .375 RHM - SI SS	2		001883	001883	001883	001883	001883
34	• Screw, #6 - 32 x .438 RhsItip Stlzi	2		001877	004644	004644	004644	004644
35	• Sem, 10 - 24 x .375HH - SI Tc.688 Washer	2		002000	002000	002000	002000	002000
36	• Washer, SS - 1.25" Od x .562" Id x .078	2		002115	002115	002115	002115	002115
37	• Screw, .5 - 13 x 2 HH Cap - SS	2		001909	001909	001909	001909	001909
38	• Screw, #6 - 32 x .25 RHM SI Tc Stlgr	5		001877	001877	001877	001877	001877
39	• Screw, .25 - 20 x 1" HHM - SS	4		007790	007790	007790	007790	007790
□	Rebuild Kit			016103	016103	016103	019647	019647

• Items included in Rebuild Kit.

□ Not shown in illustration.

NOTES:

- 1) Mtr. Hsg., Brg., Stator & Term. (Item 17) is preassembled at the factory and must be replaced as a unit. Stator is permanently attached to the Motor Housing. Plug (Item 19); Seal, Thru Wall Term. (Item 20) and Bearing - Upper (Item 18) are replaceable.
- 2) When ordering these parts, customer must identify if switch is a General Electric switch.
- 3) If an "X" follows Model No., or Date Mfg. on brass ID tag, consult factory for ordering of this part.
- 4) See FM0160 Parts Price Sheet for listing of parts prices.
- 5) "NA" indicates, not applicable.

REPLACEMENT PARTS LIST FOR MODELS "I189"

See page 7 for "I189" illustration.

REF. NO.	DESCRIPTION	QTY	NOTES	MODELS: I189-A			
				I189-B	I189-C	I189-D	
				5/86 RS thru 5/87 RT	6/87 ST thru 4/83	5/83 thru 5/08	6/08 thru Current
1	• Handle	1		217069	217069	217069	217069
2	Cover & Cord	1	2	014159	014159	014159	014159
3	Cord Term & Seal	1	2	009685	009685	014173	014173
4	Clamp, Strain Relief	1	2	001769	001769	013764	013764
5	• Seal, Cord - Assembly & Strain Relief	1	2	004375	004375	015634	015634
6	Cover - Mach	1	2	004372	004372	014150	014150
7	• Gasket, Case / Cover	1		001011	001011	001011	001011
8	• Wire Pkg (5) Wires	1		004174	004751	004751	004751
9	Capacitor & Clamp Assembly	1		006135	006135	006135	006135
10	Housing, Motor & Stator	1	1	005204	005204	005204	019234
11	Bearing, Sleeve	1		001012	001012	001012	NA
	Bearing, Radial			NA	NA	NA	006703
12	• Plug, Test - White	2		034090	034090	034090	034090
13	• Seal, Thru Wall Term	3		003402	003402	003402	003402
14	Rotor & Brg	1		005205	005205	005205	019225
15	• Bearing, Radial	1		001013	001013	001013	010069
16	• Seal, Motor Housing	1		001014	001014	001014	001014
17	Oil, Dielectric	1		003168	003168	003168	011066
18	Adapter - Mach	1		001003	001003	001003	001003
19	• Seal, Shaft	1		002430	002430	002430	002430
20	Flange Pkg 2" NPT	1		217024	217024	217024	217024
	Flange Pkg 3" NPT	1		317024	317024	317024	317024
21	Impeller "189"	1		004207	004207	004207	004207
22	Housing, Pump - Mach	1		004198	004188	004188	004188
23	Strainer Plate	1		137008	137008	137008	137008
24	• Screw, .25 - 20 x .75 HHm - SS	4		001916	001916	001916	001916
25	• Screw, .313 - 18 x 1" HH Cap - SS	4		002608	002608	002608	002608
26	• Screw, #10 - 24 x .375 RHM - SI SS	2		001883	001883	001883	001883
27	• Sem, 10 - 24 x .375 HH - SI Tc.688 Washer	2		002000	002000	002000	002000
28	• Screw, 5 - 13 x 2 HH Cap - SS	2		001909	001909	001909	001909
29	• Washer, SS - 1.25" Od x .562" Id x .078	2		002115	002115	002115	002115
30	• Screw, #6 - 32 x .25 RHM SI Tc Stlgr	4		001877	001877	001877	001877
31	• Screw, .25 - 20 x 1" HHM - SS	4		007790	007790	007790	007790
□	Rebuild Kit			014193	014193	014193	019648

• Items included in Rebuild Kit.

□ Not shown in illustration.

NOTES:

- 1) Mtr. Hsg., Brg., Stator & Term. (Item 10) is preassembled at the factory and must be replaced as a unit. Stator is permanently attached to the Motor Housing. Plug (Item 12); Seal, Thru Wall Term. (Item 13) and Bearing - Upper (Item 11) are replaceable.
- 2) If an "X" follows Model No., or Date Mfg. on brass ID tag, consult factory for ordering of this part.
- 3) See FM0160 Parts Price Sheet for listing of parts prices.
- 4) "NA" indicates, not applicable.

REPLACEMENT PARTS LIST FOR MODELS "J189"

See back page for "J189" illustration.

REF. NO.	DESCRIPTION	QTY	NOTES	MODELS: J189-B			
				J189-C	J189-D	J189-E	
				5/86 RS thru 5/87 RT	6/87 ST thru 4/03	5/03 thru 5/08	6/08 thru Current
1	• Handle	1		217069	217069	217069	217069
2	Cover & Cord	1	2	011641	011641	014161	014161
3	Cover - Mach	1	2	004372	004372	014150	014150
4	• Gasket, Case / Cover	1		001011	001011	001011	001011
5	Housing, Motor & Stator	1	1	005132	005132	005132	019235
6	Bearing, Sleeve	1		001012	001012	001012	NA
	Bearing, Radial			NA	NA	NA	006703
7	Clamp, Strain Relief	1	2	001769	001769	013764	013764
8	Cord, Term & Seal	1	2	011640	011640	014177	014177
9	• Seal, Cord - Assembly & Stator Relief	1	2	004375	004375	015634	015634
10	• Plug, Test - White	2		034090	034090	034090	034090
11	• Seal Thru Wall Term	3		003402	003402	003402	003402
12	Rotor & Brg	1		005133	005133	005133	019226
13	• Bearing, Radial	1		001013	001013	001013	010069
14	• Seal, Motor Housing	1		001014	001014	001014	001014
15	• Oil, Dielectric	1		003168	003168	003168	011066
16	Adapter - Mach	1		001003	001003	001003	001003
17	• Seal, Shaft	1		002430	002430	002430	002430
18	Impeller Assembly "189"	1		005201	005201	005201	005201
19	Flange Pkg 2" NPT	1		217024	217024	217024	217024
	Flange Pkg 3" NPT	1		317024	317024	317024	317024
20	Housing, Pump - Mach	1		004198	004188	004188	004188
21	• Screw, #6 - 32 x .25 RHM SI Tc Stlgr	1		001877	001877	001877	001877
22	• Screw, .25 - 20 x .75 HHm - SS	4		001916	001916	001916	001916
23	• Screw, .313 - 18 x 1" HH Cap - SS	4		002608	002608	002608	002608
24	• Screw, .5 - 13 x 2 HH Cap - SS	2		001909	001909	001909	001909
25	• Washer, SS - 1.25" Od x .562" Id x .078	2		002115	002115	002115	002115
26	• Screw, #10 - 24 x .375 RHM - SI SS	1		001883	001883	001883	001883
27	Strainer Plate	1		137008	137008	137008	137008
28	• Sem,10 - 24 x .375 HH - SI Tc .688 Washer	2		002000	002000	002000	002000
29	• Screw, .25 - 20 x 1 HHm - SS	4		007790	007790	007790	007790
30	• Nut, 7/16 - 20 Acorn SS	1		004351	004351	004351	004351
□	Rebuild Kit			014193	014193	014193	019648

• Items included in Rebuild Kit.

□ Not shown in illustration.

NOTES:

- 1) Mtr. Hsg., Brg., Stator & Term. (Item 5) is preassembled at the factory and must be replaced as a unit. Stator is permanently attached to the Motor Housing. Plug (Item 10); Seal, Thru Wall Term. (Item 11) and Bearing - Upper (Item 6) are replaceable.
- 2) If an "X" follows Model No., or Date Mfg. on ID tag, consult factory for ordering of this part.
- 3) See FM0160 Parts Price Sheet for listing of parts prices.
- 4) "NA" indicates, not applicable.

REPLACEMENT PARTS LIST FOR MODELS "F189"

See back page for "F189" illustration.

REF. NO.	DESCRIPTION	QTY	NOTES	MODELS: F189-B				
				F189-C	F189-D	F189-E	F189-F	
1	• Handle	1		5/86 RS thru 8/86 US	9/86 VS thru 5/87 RT	6/87 ST thru 4/03	5/03 thru 5/08	6/08 thru Current
1				217069	217069	217069	217069	217069
2	Cover & Cord	1	2	011641	011641	011641	014161	014161
3	Cover - Mach	1	2	004372	004372	004372	014150	014150
4	• Gasket, Case / Cover	1		001011	001011	001011	001011	001011
5	Housing, Motor-& Stator	1	1	005136	005136	005136	005136	019236
6	Bearing, Sleeve	1		001012	001012	001012	001012	NA
	Bearing, Radial			NA	NA	NA	NA	006703
7	Clamp, Strain Relief	1	2	001769	001769	001769	013764	013764
8	Cord, Term & Seal	1	2	011640	011640	011640	014177	014177
9	• Seal, Cord - Assembly & Strain Relief	1	2	004375	004375	004375	015634	015634
10	• Plug, Test - White	2		034090	034090	034090	034090	034090
11	• Seal Thru Wall Term	3		003402	003402	003402	003402	003402
12	Rotor & Brg	1		004579	004579	004579	004579	019226
13	• Bearing, Radial	1		001013	001013	001013	001013	010069
14	• Seal, Motor Housing	1		001014	001014	001014	001014	001014
15	• Oil, Dielectric	1		003168	003168	003168	003168	011066
16	Adapter - Mach	1		001003	001003	001003	001003	001003
17	• Seal, Shaft	1		002430	002430	002430	002430	002430
18	Impeller Assembly "189"	1		005201	005201	005201	005201	005201
19	Flange Pkg 2" NPT	1		217024	217024	217024	217024	217024
	Flange Pkg 3" NPT	1		317024	317024	317024	317024	317024
20	Housing, Pump - Mach	1		004198	004198	004188	004188	004188
21	• Screw, #6 - 32 x .25 RHM SI Tc Stlgr	1		001877	001877	001877	001877	001877
22	• Screw, .25 - 20 x .75 HHm - SS	4		001916	001916	001916	001916	001916
23	• Screw, .313 - 18 x 1" HH Cap - SS	4		002608	002608	002608	002608	002608
24	• Screw, .5 - 13 x 2 HH Cap - SS	2		001909	001909	001909	001909	001909
25	• Washer, SS - 1.25" Od x .562" Id x .078	2		002115	002115	002115	002115	002115
26	• Screw, #10 - 24 x .375 RHM - SI SS	1		001883	001883	001883	001883	001883
27	Strainer Plate	1		137008	137008	137008	137008	137008
28	• Sem, 10 - 24 x .375 HH - SI Tc .688 Wash	2		002000	002000	002000	002000	002000
29	• Screw, .25 - 20 x 1 HHm - SS	4		007790	007790	007790	007790	007790
30	• Nut, 7/16 - 20 Acorn SS	1		004351	004351	004351	004351	004351
▣	Rebuild Kit			014193	014193	014193	014193	019648

• Items included in Rebuild Kit.

▣ Not shown in illustration.

NOTES:

- 1) Mtr. Hsg., Brg., Stator & Term. (Item 5) is preassembled at the factory and must be replaced as a unit. Stator is permanently attached to the Motor Housing. Plug (Item 10); Seal, Thru Wall Term. (Item 11) and Bearing - Upper (Item 6) are replaceable.
- 2) If an "X" follows Model No., or Date Mfg. on ID tag, consult factory for ordering of this part.
- 3) See FM0160 Parts Price Sheet for listing of parts prices.
- 4) "NA" indicates, not applicable.

REPLACEMENT PARTS LIST FOR MODELS "G189" & "BA189"

See back page for "G189" & "BA189" illustrations.

REF. NO.	DESCRIPTION	QTY	NOTES	MODELS: G189-B			BA189-A	
				6/87 ST thru 5/08	6/08 thru Current		1/91 thru 5/08	6/08 thru Current
1	• Handle	1		217069	217069		217069	217069
2	Cover & Cord	1	2	002963	002963		002963	002963
3	Cover - Mach	1	2	001077	001077		001077	001077
4	• Gasket, Case / Cover	1		001011	001011		001011	001011
5	Housing, Motor & Stator	1	1	004578	019237		006288	019238
6	Bearing, Sleeve	1		001012	NA		001012	NA
	Bearing, Radial			NA	006703		NA	006703
7	Clamp, Strain Relief	1	2	001770	001770		001770	001770
8	Cord, Term & Seal	1	2	005131	005131		005131	005131
9	• Seal, Cord - Assembly & Strain Relief	1	2	011656	011656		011656	011656
10	• Plug, Test - White	2		034090	034090		034090	034090
11	• Seal Thru Wall Term	3		003402	003402		003402	003402
12	Rotor & Brg	1		004579	019226		004579	019226
13	• Bearing, Radial	1		001013	010069		001013	010069
14	• Seal, Motor Housing	1		001014	001014		001014	001014
15	• Oil, Dielectric	1		003168	011066		003168	011066
16	Adapter - Mach	1		001003	001003		001003	001003
17	• Seal, Shaft	1		002430	002430		002430	002430
18	Impeller Assembly "189"	1		005201	005201		005201	005201
19	Flange Pkg 2" NPT	1		217024	217024		217024	217024
	Flange Pkg 3" NPT	1		317024	317024		317024	317024
20	Housing, Pump - Mach	1		004188	004188		004188	004188
21	• Screw, #6 - 32 x .25 RHM SI Tc Stlgr	1		001877	001877		001877	001877
22	• Screw, .25 - 20 x .75 HHm - SS	4		001916	001916		001916	001916
23	• Screw, .313 - 18 x 1"HH Cap - SS	4		002608	002608		002608	002608
24	• Screw, .5 - 13 x 2 HH Cap - SS	2		001909	001909		001909	001909
25	• Washer, SS - 1.25" Od x .562" Id x .078	2		002115	002115		002115	002115
26	• Screw, #10 - 24 x .375 RHM - SI SS	1		001883	001883		001883	001883
27	Strainer Plate	1		137008	137008		137008	137008
28	• Sem, 10 - 24 x .375 HH - SI Tc .688 Washer	2		002000	002000		002000	002000
29	• Screw, .25 - 20 x 1 HHm - SS	4		007790	007790		007790	007790
30	• Nut, 7/16 - 20 Acorn SS	1		004351	004351		004351	004351
☐	Rebuild Kit			014193	019648		014193	019648

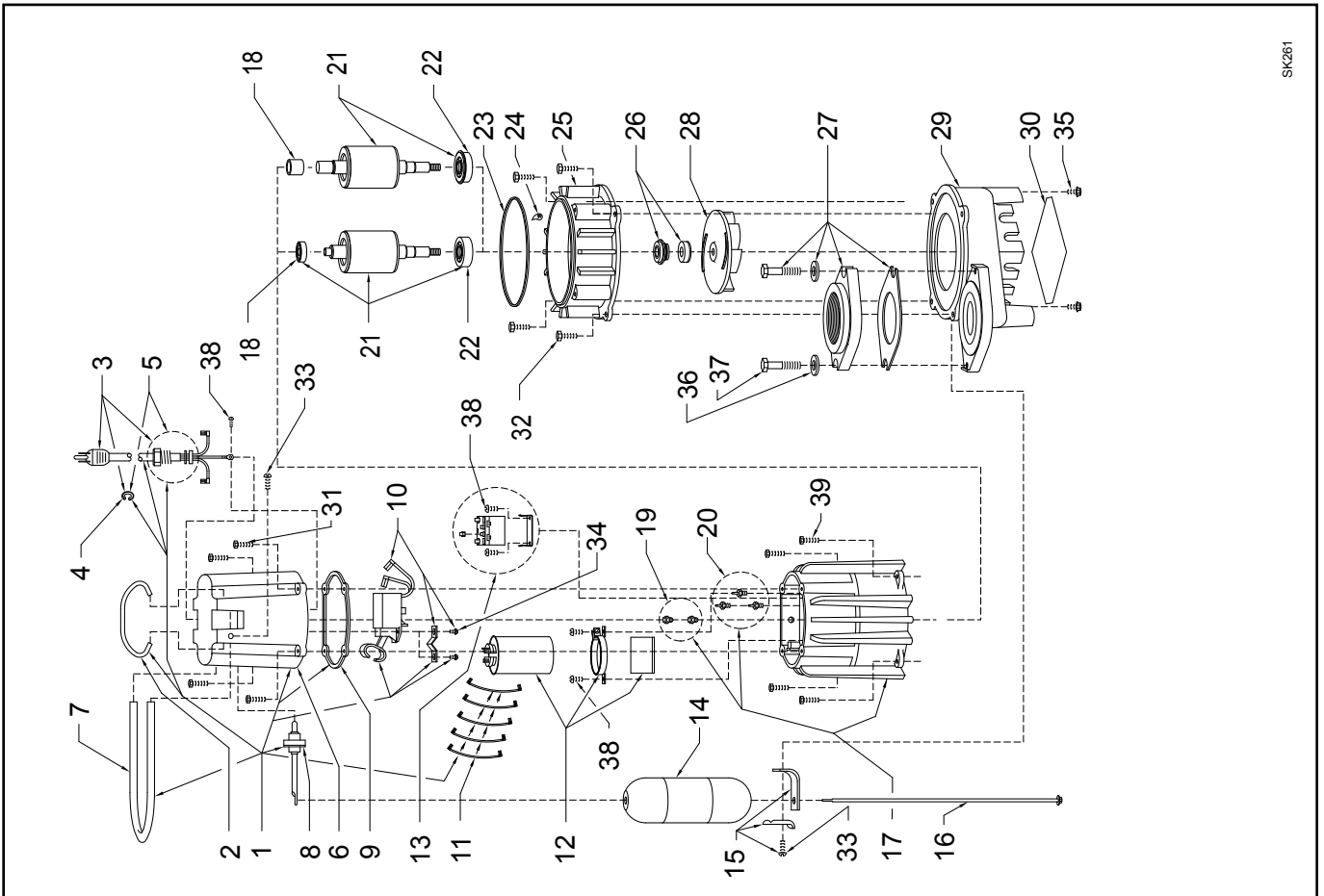
• Items included in Rebuild Kit.

☐ Not shown in illustration.

NOTES:

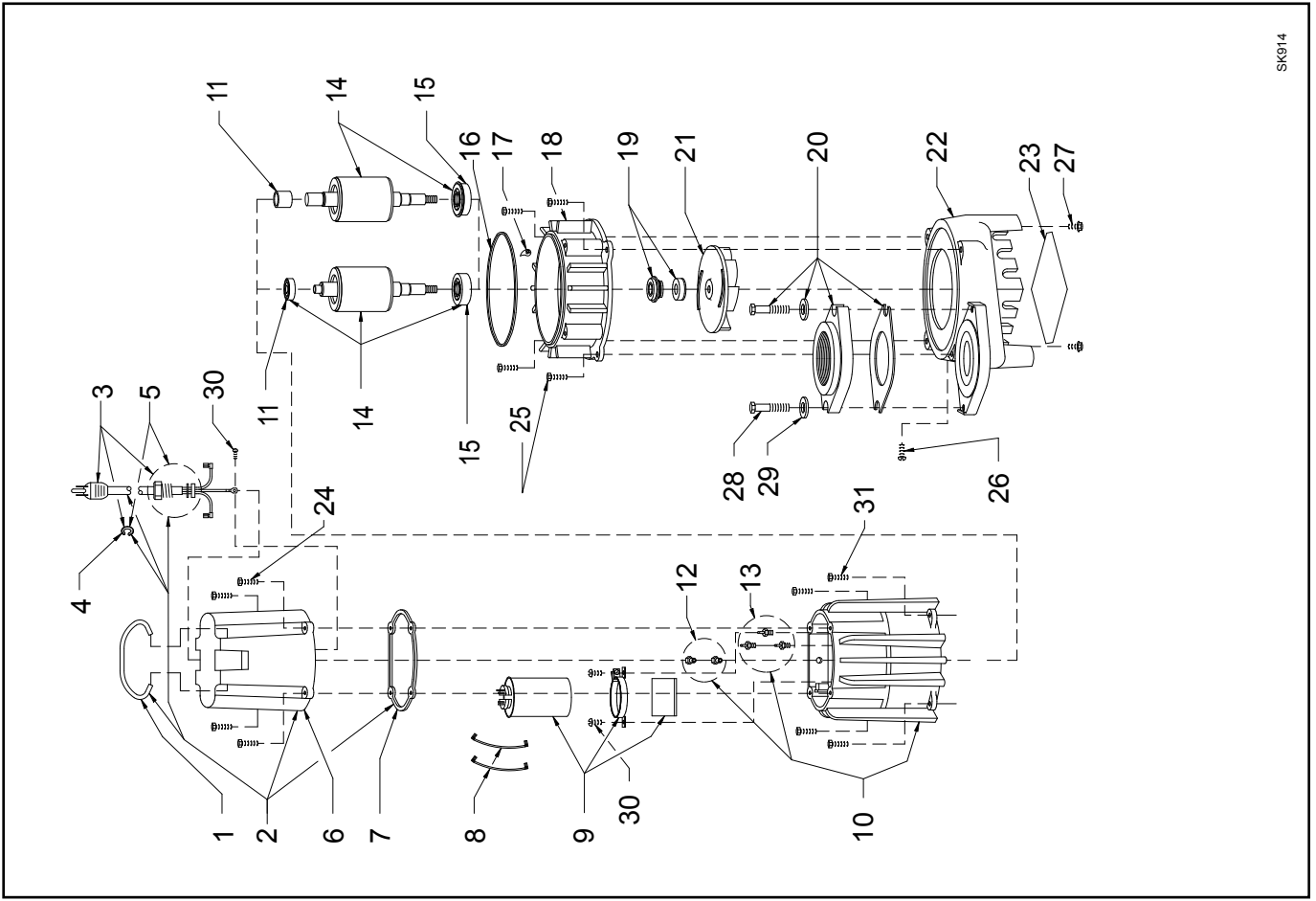
- 1) Mtr. Hsg., Brg., Stator & Term. (Item 5) is preassembled at the factory and must be replaced as a unit. Stator is permanently attached to the Motor Housing. Plug (Item 10); Seal, Thru Wall Term. (Item 11) and Bearing - Upper (Item 6) are replaceable.
- 2) If an "X" follows Model No., or Date Mfg. on ID tag, consult factory for ordering of this part.
- 3) See FM0160 Parts Price Sheet for listing of parts prices.
- 4) "NA" indicates, not applicable.

REPLACEMENT PARTS ILLUSTRATION FOR MODEL "H189"



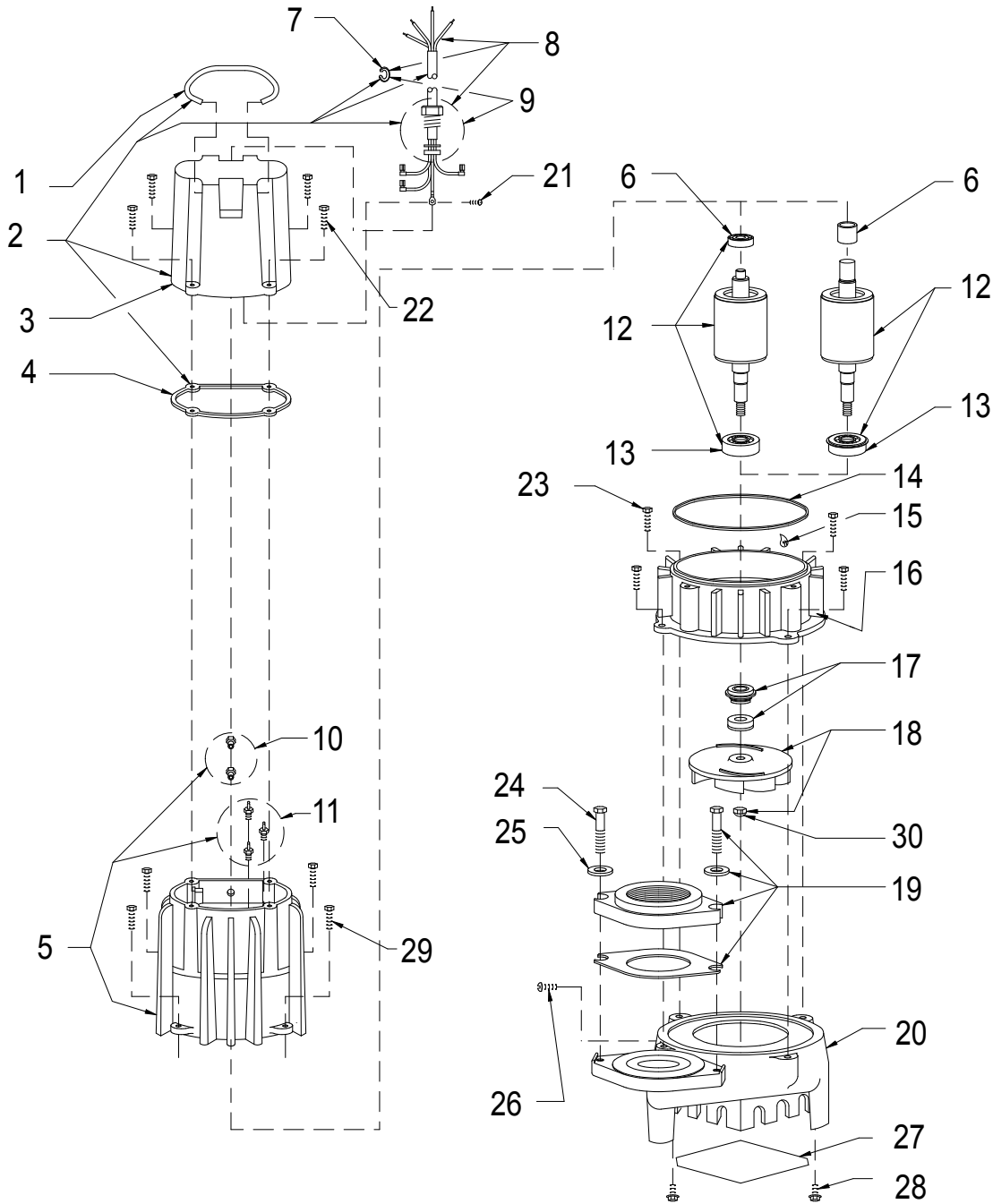
SK281

REPLACEMENT PARTS ILLUSTRATION FOR MODEL "I189"



SK914

REPLACEMENT PARTS ILLUSTRATION FOR MODELS "J", "F", "G" & "BA189"



SK1286



MAIL TO: P.O. BOX 16347 • Louisville, KY 40256-0347
 SHIP TO: 3649 Cane Run Road • Louisville, KY 40211-1961
 (502) 778-2731 • 1 (800) 928-PUMP • FAX (502) 774-3624

Visit our web site:
zoellerpumps.com

Trusted. Tested. Tough.™