

Product information presented here reflects conditions at time of publication. Consult factory regarding discrepancies or inconsistencies.

MAIL TO: P.O. BOX 16347 • Louisville, KY 40256-0347  
SHIP TO: 3649 Cane Run Road • Louisville, KY 40211-1961  
TEL: (502) 778-2731 • 1 (800) 928-PUMP • FAX: (502) 774-3624

Visit our website:  
zoellerpumps.com

## REPLACEMENT PARTS LIST FOR MODELS:

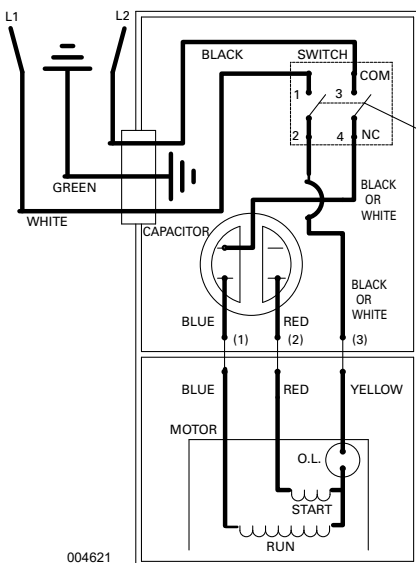
PERMANENT SPLIT CAPACITOR MOTOR DESIGN  
FOR SPLIT PHASE MOTOR DESIGN  
( SEE PAGE 5 )

M266 AUTOMATIC 115V  
N266 NONAUTOMATIC 115V  
WM266 AUTOMATIC with wired VLFS 115V  
Consult factory for all other models.

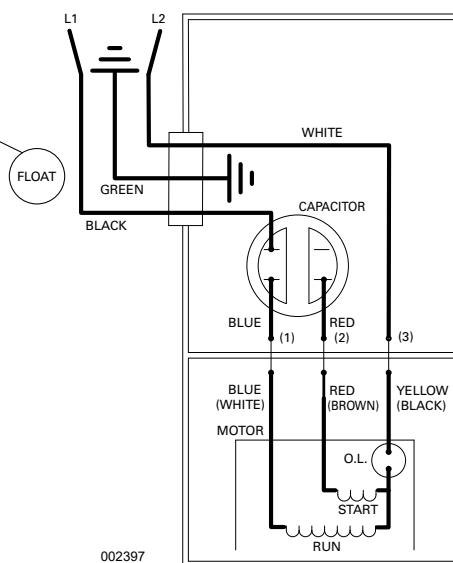
### TO ORDER REPLACEMENT PARTS:

#### PLEASE FURNISH THE FOLLOWING INFORMATION:

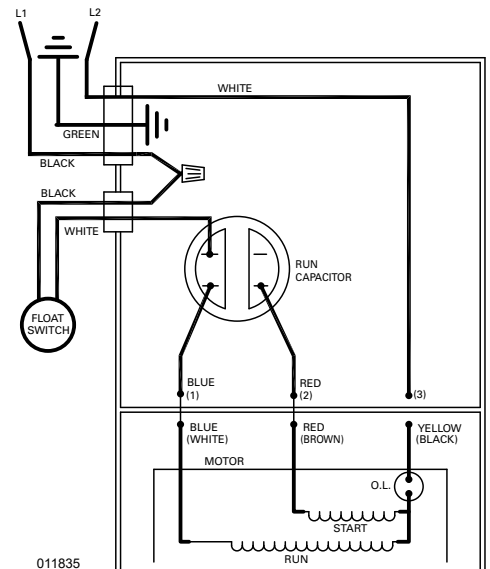
- Model number
- Part number of pump  
(If manufactured prior to June 1988, give 2 letter date code following Model No.)
- Part number and description of part



WIRING DIAGRAM FOR MODELS  
M266-C  
05/18 to current



WIRING DIAGRAM FOR MODELS  
H266-C  
05/18- current

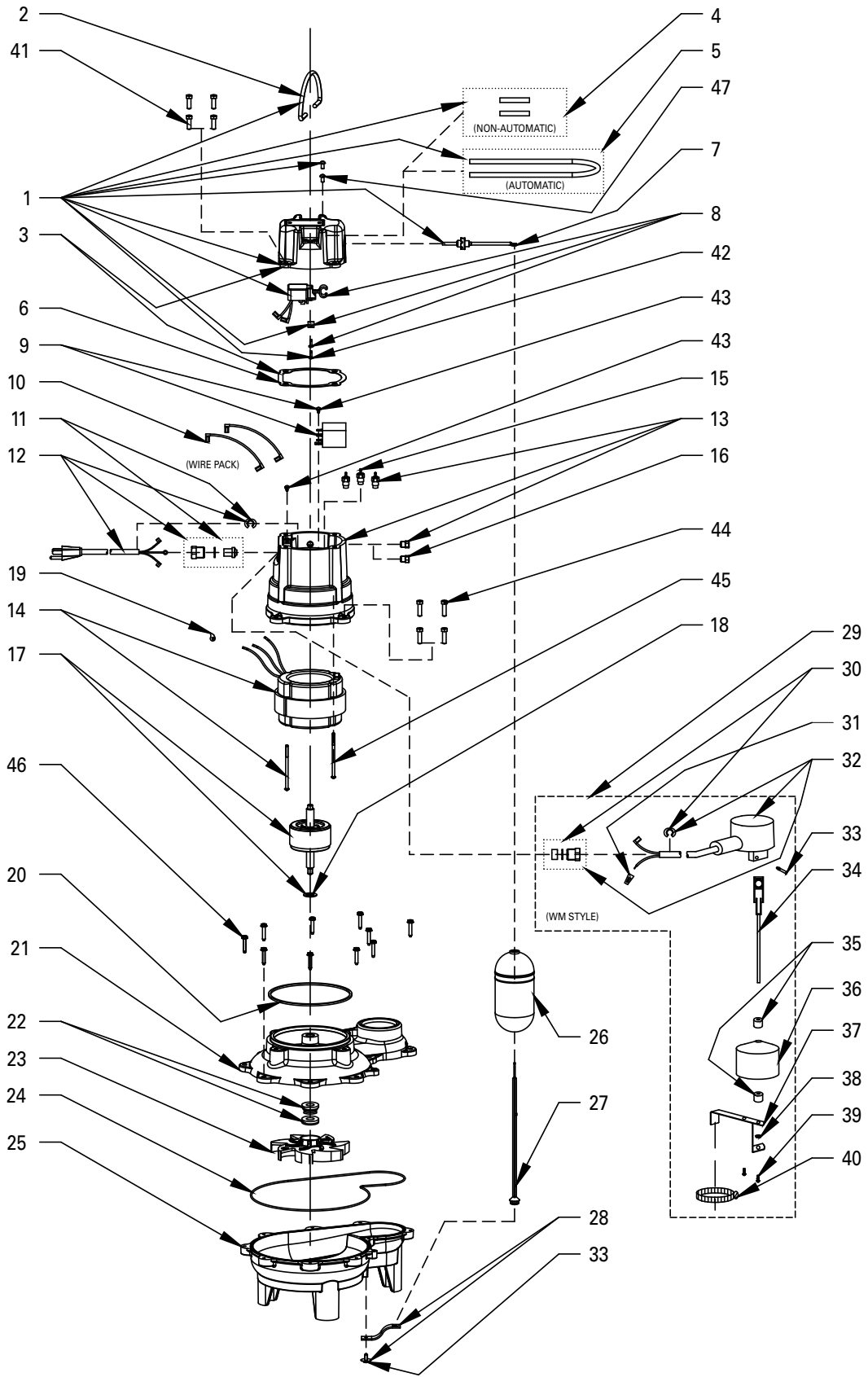


WIRING DIAGRAM FOR MODELS  
WM266-D  
05/18- current

M266-G, N266-G, WM266-D							
REF NO.	QTY	KIT	DESCRIPTION	NOTES	M266-C 05/18 THRU CURRENT	N266-C 05/18 THRU CURRENT	WM266-D 05/18 THRU CURRENT
1	1		Case assembly - Automatic		004739	N/A	N/A
	1		Cover assembly - Non-Auto & wired in float switch		N/A	267051	267051
2	1	*	Handle		267032	267032	267032
3	1		Case Mach. & Gasket - Automatic		155781	N/A	N/A
	1		Cover Mach. & Gasket - Non-Auto & wired in float switch		N/A	267052	267052
4	2		Retainer - Non-Automatic		N/A	267053	267053
5	1		Guard - Automatic		267008	N/A	N/A
6	1		Gasket - Case/Cover		267007	267007	267007
7	1		Arm and Seal assembly		004741	N/A	N/A
8	1		Switch Assembly		004740	N/A	N/A
9	1		Capacitor assembly		155782	155782	155782
10	1		Wire package		155783	155783	155783
11	1		Cord seal and strain relief assembly	3	155784	155784	153878
12	1		Cord assembly - Automatic		010925	N/A	N/A
	1		Cord assembly - Non-Auto		N/A	155785	N/A
	1		Cord assembly - WM style		N/A	N/A	153878
13	1		Motor Housing assembly		155786	155786	155786
14	1	*	Stator with screws		155787	155787	155787
15	3	*	Thru wall terminals		003402	003402	003402
16	2	*	Test plugs		034090	034090	034090
17	1		Rotor assembly		155788	155788	155788
18	1	*	Thrust washer		002140	002140	002140
19	1	*	Dielectric oil		267056	267056	267056
20	1	*	Motor housing seal		267006	267006	267006
21	1		Pump housing		003877	003877	003877
22	1	*	Shaft seal Assembly		267027	267027	267027
23	1		Impeller - Plastic		150857	150857	150857
			Impeller - Cast Iron		003884	003884	003884
24	1		O-ring seal		005701	005701	005701
25	1		Base - Plastic		005199	005199	005199
26	1		Float		034019	N/A	N/A
27	1		Float rod		001526	N/A	N/A
28	9	*	Float rod guide assembly		004676	N/A	N/A
29	2	*	Vertical float switch assembly		N/A	N/A	009630
30	1	*	Vertical switch cord seal	3	N/A	N/A	004486
31	4	*	Wirenut		N/A	N/A	001776
32	2	*	Vertical float switch and cord seal		N/A	N/A	009631
33	3	*	Vertical float rod pin		N/A	N/A	009121
34	1		Vertical float rod		N/A	N/A	009118
35	2		Vertical float rod stop		N/A	N/A	009120
36	1		Vertical float		N/A	N/A	009119
37	1		Vertical float switch bracket		N/A	N/A	009117
38	1		Vertical float switch grommet for bracket		N/A	N/A	003052
39	2		Screw-Vertical switch (#8-32 x 5/8" long)		N/A	N/A	009111
40	1		Worm gear clamp		N/A	N/A	004304
41	4	*	Screw - Case (1/4-20 x 3/4" long)		001916	001916	001916
42	2	*	Screw - Switch (#6-32 x 7/16" long)		004644	N/A	N/A
43	1	*	Screw - Ground & Capacitor (#6-32 x 1/4" long)		001877	001877	001877
44	4	*	Screw - Motor housing (1/4-20 x 7/8" long)		012491	012491	012491
45	2	*	Screw - Stator (#8-32 x 3 1/16" long)		154768	154768	154768
46	10	*	Screw - Base (#10-10 x 1" long)		005326	005326	005326
47	2	*	Screw - Guard & retainers/Guide (#10-24 x 3/8" long)		001883	001883	N/A
*	1		Rebuild Kit		155789	155789	155789

**Notes:**

- 1) If an "X" follows model no., or date mfg. on brass ID tag, consult factory for ordering any parts.
- 2) "NA" indicates, not applicable.
- 3) Strain relief clamp is not sold separately, must order cord seal assembly.





# REPLACEMENT PARTS LIST FOR MODELS:

SPLIT PHASE MOTOR DESIGN

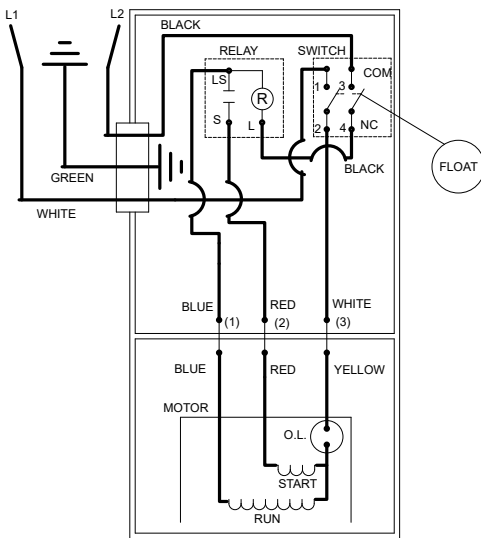
M266 AUTOMATIC 115V  
D266 AUTOMATIC 230V  
N266 NONAUTOMATIC 115V  
E266 NONAUTOMATIC 230V  
WM266 AUTOMATIC w/wired VLFS 115V

Consult factory for all other models.

### TO ORDER REPLACEMENT PARTS:

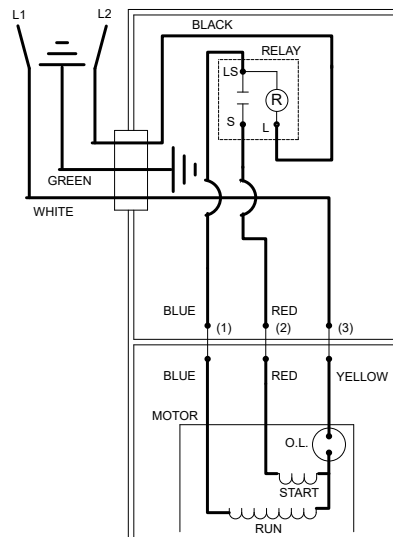
#### PLEASE FURNISH THE FOLLOWING INFORMATION:

- Model number
- Part number of pump  
(If manufactured prior to June 1988, give 2 letter date code following Model No.)
- Part number and description of part



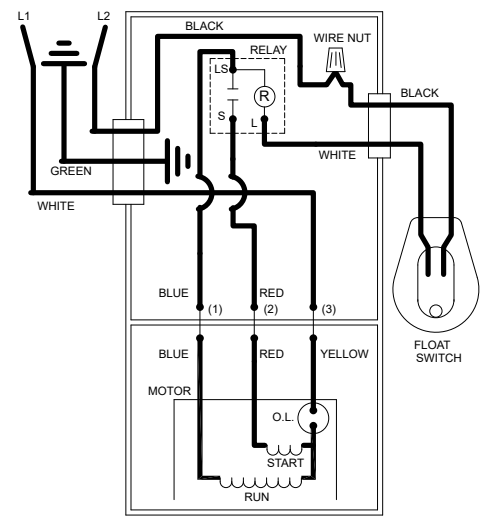
004620

WIRING DIAGRAM FOR MODELS  
"M266-A" and "M266-B"  
08/87 to 04/18  
"D266-A" and "D266-B"  
8/87 (UT) to Current



002395

WIRING DIAGRAM FOR MODELS  
"N266-A" and "N266-B"  
08/87 to 04/18  
"E266-A" and "E266-B"  
8/87 (UT) to Current



004414

WIRING DIAGRAM FOR MODELS  
"WM266-A", "WM266-B" and  
"WM266-C"  
08/87 to 04/18

# REPLACEMENT PARTS LIST FOR MODELS "M266" & "D266"

See page 7 for "M266" & "D266" illustrations.

REF. NO.	DESCRIPTION	QTY	NOTES	MODELS: M266-A M266-B D266-A D266-B			
				8/87 thru 6/91	7/91 thru 04/18	8/87 thru 6/91	7/91 thru 12/18
1	Case & Switch Asm	1		004739	004739	004739	004739
2	• Handle	1		267032	267032	267032	267032
3	Case-Mach	1		004610	004610	004610	004610
4	• Gasket, Case/Cover	1		267007	267007	267007	267007
5	Relay Asm G5	1		002474	002474	147135	147135
6	• Wire Pkg (2) Wires	1		267014	267014	267014	267014
7	Housing, Mtr & Str GE	1	1,2	002475	002475	002476	002476
	Housing, Mtr & Str EMD	1	1,2	014797	014797	008642	008642
8	• Seal, Cord-Asm & Strain Relief	1	3	094032	094032	094032	094032
9	Cord Term & Seal Asm	1	3	094071	094071	094072	094072
10	Bearing, Upper	1		N/A	N/A	N/A	N/A
11	• Guard	1		267008	267008	267008	267008
12	• Arm & Seal Asm	1		004741	004741	004741	004741
13	Switch Asm	1		004740	004740	004740	004740
14	Float, Polypropylene	1		034019	034019	034019	034019
15	Rod, Float	1		001526	001526	001526	001526
16	Rotor Asm 115/230V/1Ph GE	1	2	267005	267005	267005	267005
	Rotor Asm 115/230V/1Ph EMD	1	2	004021	004021	004021	004021
17	• Seal, Mtr Hsg	1		267006	267006	267006	267006
18	• Washer, Trst-Nyl.875X.504X.050"	1		002140	002140	002140	002140
19	Housing, Pump-Mach	1		003877	003877	003877	003877
20	• Seal Asm, Shaft	1		267027	267027	267027	267027
21	Impeller "266"	1		003884	150857	003884	150857
22	• Seal, O-Ring			005701	005701	005701	005701
23	Base, Molded	1		005199	005199	005199	005199
24	Guide Asm, Flt Rod	1		005454	005454	005454	005454
25	• Oil, Dielectric (24.5 Oz)	1		267056	267056	267056	267056
26	• Seal, Thru Wall Term	3		003402	003402	003402	003402
27	• Plug, Test-White	2		034090	034090	034090	034090
28	• Clamp, Strain Relief	1	3, 5	N/A	N/A	N/A	N/A
29	• Screw, .25-20 X .75 HHm-SS	4		001916	001916	001916	001916
30	• Screw, #10-24 X.375 RHM-SI SS	2		001883	001883	001883	001883
31	• Screw, #6-32x.438RHstlp"1"Stlzi	2		004644	004644	004644	004644
32	• Screw, #6-32x.25RHM SI Tc Stlgr	3		001877	001877	001877	001877
33	• Screw, #10-10x1-Unsltd Hex Wash	10		005326	005326	005326	005326
34	• Sem, 10-12x5HH-SIShmt ScTp A	1		003229	003229	003229	003229
35	• Screw, .25-20 X .875 HH SS	4		012491	012491	012491	012491
□	Rebuild Kit			004743	004743	004743	004743

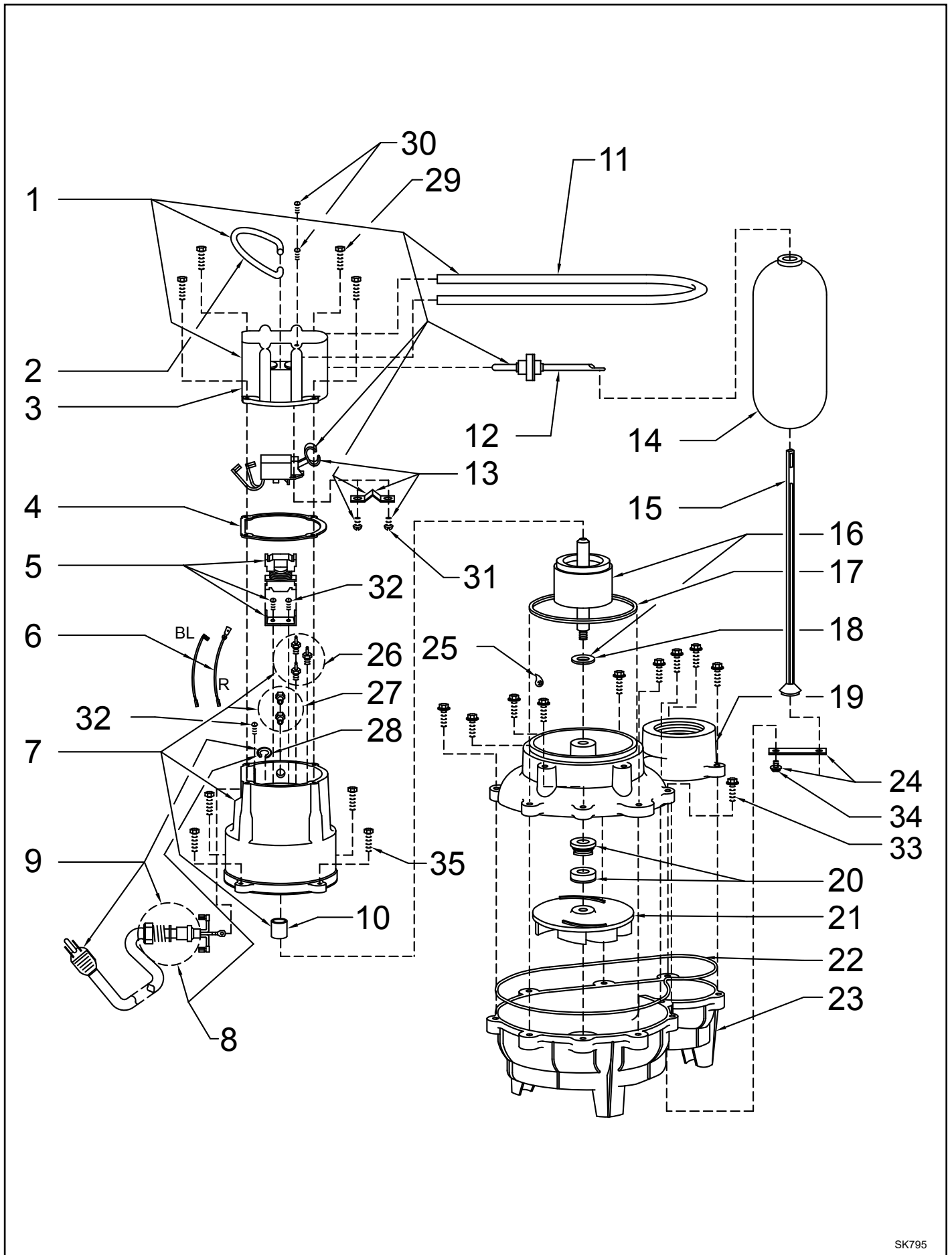
• Items included in Rebuild Kit.

□ Not shown in illustration.

## NOTES:

- 1) Motor, housing, bearing, stator & term (Item 7) are preassembled at the factory and must be replaced as a unit. Stator is permanently attached to the motor housing. Plug (Item 27); seal, thru wall term. (Item 26) and bearing - upper (Item 10) are replaceable.
- 2) When ordering motor housing, bearing, stator and term. (Item 7) or Rotor (Item 16) specify either GE or Emerson motor. GE motor can be identified by (4) half oval slots spaced at 90° around the outside diameter of the stator. Emerson motor can be identified by (2) half oval slots spaced at 180° around the outside diameter of the stator.
- 3) If an "X" follows model no., or date mfg. on brass ID tag, consult factory for ordering any parts.
- 4) "NA" indicates, not applicable.
- 5) Clamp, strain relief (Item 28) is not sold separately, must order seal, cord asm (Item 8).

REPLACEMENT PARTS ILLUSTRATION FOR MODELS "M266" AND "D266"



SK795

# REPLACEMENT PARTS LIST FOR MODELS "N266" & "E266"

See page 9 for "N266" & "E266" illustrations.

REF. NO.	DESCRIPTION	QTY	NOTES	MODELS: N266-A		MODELS: N266-B		MODELS: E266-A		MODELS: E266-B	
				8/87 UT thru 6/91	7/91 thru 04/18	8/87 UT thru 6/91	7/91 thru 12/18	8/87 UT thru 6/91	7/91 thru 12/18		
1	Cover & Handle Asm	1		267051	267051	267051	267051				
2	• Handle	1		267032	267032	267032	267032				
3	Cover, Mach	1		267052	267052	267052	267052				
4	Retainer, HdI-Na	1		267053	267053	267053	267053				
5	• Gasket, Case/Cover	1		267007	267007	267007	267007				
6	Relay Asm G5	1		002474	002474	147135	147135				
7	• Wire Pkg (2) Wires	1		267014	267014	267014	267014				
8	Housing, Mtr & Str GE	1	1,2	002475	002475	002476	002476				
	Housing, Mtr & Str EMD	1	1,2	014797	014797	008642	008642				
9	Cord Term & Seal	1	3	153878	153878	153879	153879				
10	• Seal, Cord-Asm & Strain Relief	1	3	094032	094032	094032	094032				
11	Bearing, Upper	1		N/A	N/A	N/A	N/A				
12	Rotor Asm 115/230V/1Ph GE	1	2	267005	267005	267005	267005				
	Rotor Asm 115/230V/1Ph EMD	1	2	004021	004021	004021	004021				
13	• Seal, Mtr Hsg	1		267006	267006	267006	267006				
14	• Washer, Trst-Nyl.875X.504X.050"	1		002140	002140	002140	002140				
15	Housing, Pump-Mach	1		003877	003877	003877	003877				
16	• Oil, Dielectric (24.5 Oz)	1		267056	267056	267056	267056				
17	• Seal Asm, Shaft	1		267027	267027	267027	267027				
18	Impeller "266"	1		003884	150857	003884	150857				
19	• Seal, O-Ring-.093 X 34+/- .50"	1		005701	005701	005701	005701				
20	Base, Molded	1		005199	005199	005199	005199				
21	• Seal,Thru Wall Term	3		003402	003402	003402	003402				
22	• Plug, Test-White	2		034090	034090	034090	034090				
23	• Clamp, Strain Relief	1	5	N/A	N/A	N/A	N/A				
24	• Screw, .25-20 X .75 HHm-SS	4		001916	001916	001916	001916				
25	• Screw, #10-24 X.375 RHM-SI SS	2		001883	001883	001883	001883				
26	• Screw, #6-32x.25RHM SI Tc Stlgr	3		001877	001877	001877	001877				
27	• Screw, #10-10x1-Unsstd Hex Wash	10		005326	005326	005326	005326				
28	Screw, 1/4-20x.875 HH SS	4		012491	012491	012491	012491				
□	Rebuild Kit			004743	004743	004743	004743				

• Items included in Rebuild Kit.

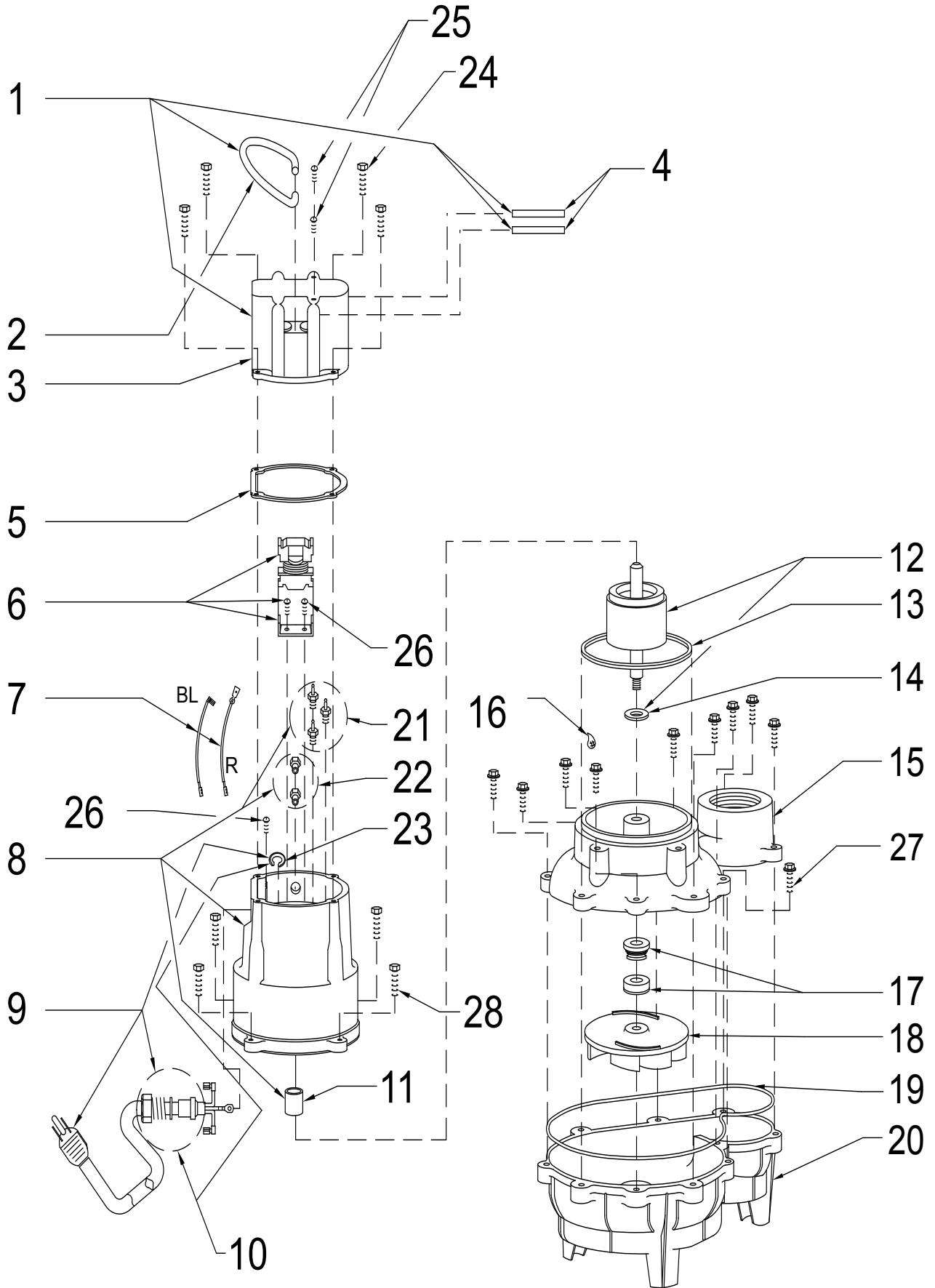
□ Not shown in illustration.

## NOTES:

- 1) Motor, housing, bearing, stator & term (Item 8) are preassembled at the factory and must be replaced as a unit. Stator is permanently attached to the motor housing. Plug (Item 22); seal, thru wall term. (Item 21) and bearing - upper (Item 11) are replaceable.
- 2) When ordering motor housing, bearing, stator and term. (Item 8) or Rotor (Item 12) specify either GE or Emerson motor. GE motor can be identified by (4) half oval slots spaced at 90° around the outside diameter of the stator. Emerson motor can be identified by (2) half oval slots spaced at 180° around the outside diameter of the stator.
- 3) If an "X" follows model no., or date Mfg. on brass ID tag, consult factory for ordering any parts.
- 4) "NA" indicates, not applicable.
- 5) Clamp, strain relief (Item 23) is not sold separately, must order seal, cord asm (Item 10).



REPLACEMENT PARTS ILLUSTRATION FOR MODEL "N266" AND "E266"



SK919

# REPLACEMENT PARTS LIST FOR MODELS "WM266"

See page 11 for "WM266" illustration.

REF. NO.	DESCRIPTION	QTY	NOTES	MODELS: WM266-A		
				8/87 UT thru 6/91	7/91 thru 3/96	WM266-B
1	Cover & Handle Asm	1		267051	267051	267051
2	• Handle	1		267032	267032	267032
3	Cover, Mach	1		267052	267052	267052
4	• Retainer, HdI-Na	1		267053	267053	267053
5	• Gasket, Case/Cover	1		267007	267007	267007
6	Relay Asm 115V/G5	1		002474	002474	002474
7	• Wire Pkg (2) Wires	1		267014	267014	267014
8	Housing, Mtr & Str 115V/1Ph GE	1	1,2	004672	004672	004672
	Housing, Mtr & Str 115V/1Ph EMD	1	1,2	015451	015451	015451
9	Cord Term & Seal	1	3	153878	153878	153878
10	• Seal, Cord-Asm & Strain Relief	1		094032	094032	094032
11	Bearing,Upper	1		N/A	N/A	N/A
12	Rotor Asm 115/230V/1Ph GE	1	2	267005	267005	267005
	Rotor Asm 115/230V/1Ph EMD	1	2	004021	004021	004021
13	• Seal, Mtr Hsg	1		267006	267006	267006
14	• Washer,Trst-Nyl.875X.504X.050"	1		002140	002140	002140
15	Housing, Pump-Mach	1		003877	003877	003877
16	• Oil, Dielectric (24.5 Oz )	1		267056	267056	267056
17	• Seal Asm, Shaft	1		267027	267027	267027
18	Impeller "266"	1		003884	150857	150857
19	Base, Mach "266"	1		008646	008646	005199
20	• Seal, Thru Wall Term	3		003402	003402	003402
21	• Plug, Test-White	2		034090	034090	034090
22	Clamp, Cable-Nylon	1		004413	004413	NA
23	• Seal, Cord-Asm & Strain Relief	1		094032	094032	NA
24	Switch, Mf-Asm "WM266 QJ"	1		009630	009630	NA
25	Seal, Cord-Asm "WM266 QJ"	1		004486	004486	NA
26	Connector, Wirenut	1		001776	001776	001776
27	• Screw, .25-20 X .75 HHm-SS	4		001916	001916	001916
28	• Screw, #10-24 X.375 RHM-SI SS	3		001883	001883	001883
29	• Screw, #6-32x.25RHM SI Tc Stlgr	3		001877	001877	001877
30	Screw, #10-10 X 1 - UNSLTD HEX	10		NA	NA	005326
31	Seal, O-Ring	1		NA	NA	005701
32	Switch, Flt & Btk Asm	1		NA	NA	010700
33	Switch, Vert. Flt & Seal	1		NA	NA	009631
34	Clamp, #40HS Worm-SS	1		NA	NA	004304
35	Seal, Cord Asm	1		NA	NA	004486
36	Clamp, Strain Relief	1		NA	NA	001770
37	Rod, Float	1	5	NA	NA	009118
38	Float Rod Retaining Pin	1		NA	NA	009121
39	Float Rod Stop	2		NA	NA	009120
40	Float, Mech Switch	1		NA	NA	009119
41	Bracket, Switch Mtg.	1		NA	NA	009117
42	Grommet, Guide	1		NA	NA	003052
43	Screw, #8-32 X .625"	2		NA	NA	009111
44	Screw, 1/4-20x.875 HH SS	4		012491	012491	012491
□	Rebuild Kit			004743	004743	004743

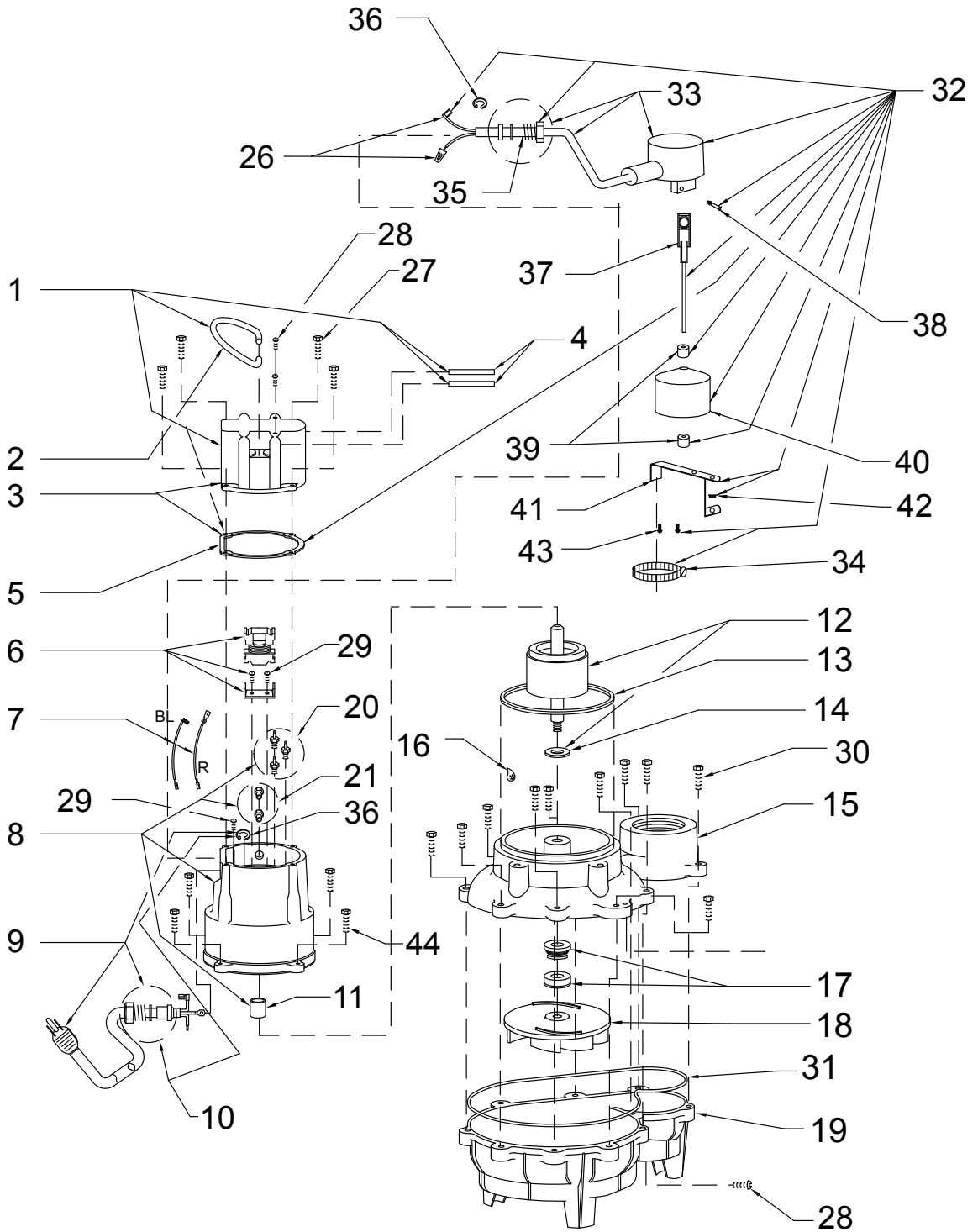
• Items included in Rebuild Kit.

□ Not shown in illustration.

## NOTES:

- 1) Motor, housing, bearing, stator & term (Item 8) are preassembled at the factory and must be replaced as a unit. Stator is permanently attached to the motor housing. Plug (Item 21); seal, thru wall term. (Item 20) and bearing - upper (Item 11) are replaceable.
- 2) When ordering motor housing, bearing, stator and term. (Item 8) or Rotor (Item 12) specify either GE or Emerson motor. GE motor can be identified by (4) half oval slots spaced at 90° around the outside diameter of the stator. Emerson motor can be identified by (2) half oval slots spaced at 180° around the outside diameter of the stator.
- 3) If an "X" follows model no., or date mfg. on brass ID tag, consult factory for ordering any parts.
- 4) "NA" indicates, not applicable.
- 5) Units manufactured from 7/91 - 9/97 use a 7" float rod; units manufactured after 9/97 use a 10" float rod.

# REPLACEMENT PARTS ILLUSTRATION FOR MODELS "WM266"



22,23,24, & 25 NOT SHOWN

# REPLACEMENT PARTS LIST FOR MODELS:

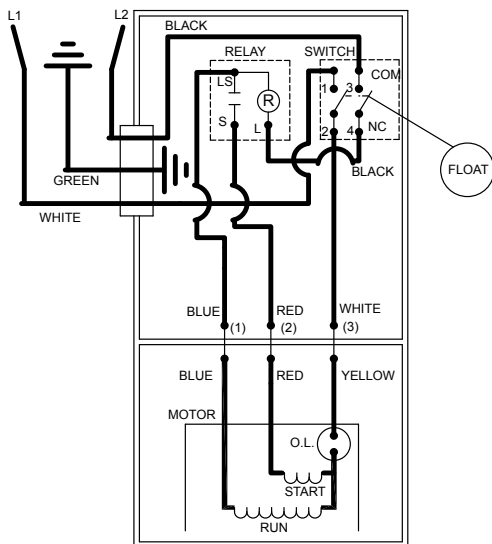
H266 AUTOMATIC 200V/1PH  
 I266 NONAUTOMATIC 200V/1PH  
 J266 NONAUTOMATIC 200V/3PH  
 F266 NONAUTOMATIC 230V/3PH  
 G266 NONAUTOMATIC 460V/3PH

Consult factory for all other models

## TO ORDER REPLACEMENT PARTS:

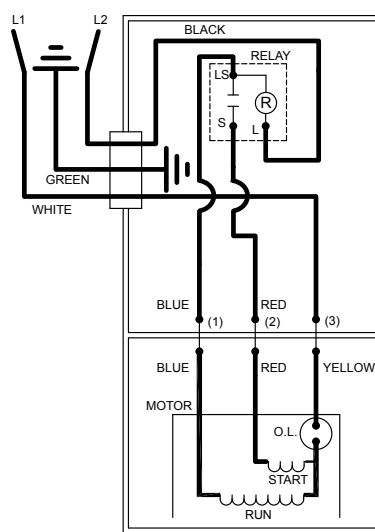
PLEASE FURNISH THE FOLLOWING INFORMATION:

- Model Number.
- Part Number of Pump.
- Part Number and Description of part.



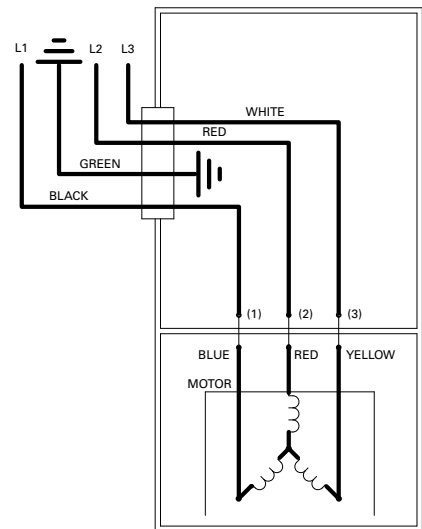
004620

WIRING DIAGRAM FOR MODELS  
 "H266-A" and "H266-B"  
 5/90 thru Current



002395

WIRING DIAGRAM FOR MODEL  
 "I266-A" and "I266-B"  
 5/90 thru Current



006848

WIRING DIAGRAM FOR MODELS  
 "F266-A", "G266-A" and "J266-A"  
 10/92 thru Current

# REPLACEMENT PARTS LIST FOR MODEL "H266"

See page 16 for "H266" illustration.

REF. NO.	DESCRIPTION	QTY	NOTES	MODEL: H266-A		H266-B
				5/90 thru 6/91	7/91 thru Current	
1	Case & Switch Asm	1		004739	004739	
2	• Handle	1		267032	267032	
3	Case-Mach	1		004610	004610	
4	• Gasket, Case/Cover	1		267007	267007	
5	Relay Asm	1		001536	001536	
6	• Wire Pkg (2) Wires	1		267014	267014	
7	Housing, Mtr & Str	1	1 & 2	003781	003781	
8	• Seal, Cord-Asm & Strain Relief	1		094032	094032	
9	Cord Term & Seal Asm	1		006930	006930	
10	Bearing, Upper Rotor	1		N/A	N/A	
11	• Guard	1		267008	267008	
12	• Arm & Seal Asm	1		004741	004741	
13	Switch Asm	1		004740	004740	
14	Float, Polypropylene	1		034019	034019	
15	Rod, Float-Molded	1		001526	001526	
16	Rotor Asm	1	2	267005	267005	
17	• Seal, Mtr Hsg	1		267006	267006	
18	• Washer, Trst-Nyl.875X.504X.050"	1		002140	002140	
19	Housing, Pump-Mach	1		003877	003877	
20	• Seal Asm, Shaft	1		267027	267027	
21	Impeller "266"	1		003884	150857	
22	Seal, O-ring	1		005701	005701	
23	Base-Molded	1		005199	005199	
24	Guide Asm, Float Rod	1		005454	005454	
25	• Oil, Dielectric (24.5 oz)	1		267056	267056	
26	• Seal, Thru Wall Term	3		003402	003402	
27	• Plug, Test-White	2		034090	034090	
28	• Clamp, Strain Relief	1	4	N/A	N/A	
29	• Screw, .25-20X.75 HHM-SS	4		001916	001916	
30	• Screw, #10-24X.37RHM-SL SS	2		001883	001883	
31	• Screw, #6-32X.438RH PH TP PE 23	2		004644	004644	
32	• Screw, #6-32X.25RHM SLTC STLGR	3		001877	001877	
33	• Screw, #10-10X1-UNSLTD HEXWash	10		005326	005326	
34	• Sem, 10-12X.5HH-SLSHMT SCR TP	1		003229	003229	
35	• Screw, .25-20X.875"LG HH SS	4		012491	012491	
□	Rebuild Kit	1		004743	004743	

• Items included in Rebuild Kit.

□ Not shown in illustration.

## NOTES:

- 1) Motor housing, bearing, stator & terminal are preassembled at the factory and must be replaced as a unit. Stator is permanently attached to motor housing. Plug, test-white and seal, thru wall terminal are replaceable.
- 2) When ordering motor housing, bearing, stator and terminal, or rotor and bearing, specify either GE or Emerson motor.
- 3) See FM0160 parts price sheet for listing of parts prices.
- 4) Clamp, Strain Relief (Item 28) is not sold separately, must order Seal, Cord Asm (Item 8).

# REPLACEMENT PARTS LIST FOR MODEL "I266"

See page 17 for "I266" illustration.

REF. NO.	DESCRIPTION	QTY	NOTES	MODEL: I266-A	
				5/90 thru 6/91	7/91 thru Current
1	Cover & Handle Asm	1		267051	267051
2	• Handle	1		267032	267032
3	Cover-Mach	1		267052	267052
4	Retainer, HDL-NA	1		267053	267053
5	• Gasket, Case/Cover	1		267007	267007
6	Relay Asm	1		001536	001536
7	• Wire Pkg (2) Wires	1		267014	267014
8	Housing, Mtr & Str	1	1 & 2	003781	003781
9	• Seal, Cord-Asm & Strain Relief	1		094032	094032
10	Cord Term & Seal Asm	1		007071	007071
11	Bearing, Upper Rotor	1		N/A	N/A
12	Rotor Asm	1	2	267005	267005
13	• Seal, Mtr Hsg	1		267006	267006
14	• Washer, Trst-Nyl.875X.504X.050"	1		002140	002140
15	Housing, Pump-Mach	1		003877	003877
16	• Oil, Dielectric (24.5 oz)	1		267056	267056
17	• Seal Asm, Shaft	1		267027	267027
18	Impeller "266"	1		003884	150857
19	Seal, O-ring	1		005701	005701
20	Base-Molded	1		005199	005199
21	• Seal, Thru Wall Term	3		003402	003402
22	• Plug, Test-White	2		034090	034090
23	• Clamp, Strain Relief	1	4	N/A	N/A
24	• Screw, .25-20X.75 HHM-SS	4		001916	001916
25	• Screw, #10-24X.37RHM-SL SS	2		001833	001833
26	• Screw, #6-32X.25RHM SLTC STLGR	3		001877	001877
27	• Screw, #10-10X1-UNSLTD HEXWash	10		005326	005326
28	• Screw, .25-20X.875"LG HH SS	4		012491	012491
□	Rebuild Kit	1		004743	004743

• Items included in Rebuild Kit.

□ Not shown in illustration.

## NOTES:

- 1) Motor housing, bearing, stator & terminal are preassembled at the factory and must be replaced as a unit. Stator is permanently attached to motor housing. Plug, test-white and seal, thru wall terminal are replaceable.
- 2) When ordering motor housing, bearing, stator and terminal, or rotor and bearing, specify either GE or Emerson motor.
- 3) See FM0160 parts price sheet for listing of parts prices.
- 4) Clamp, Strain Relief (Item 23) is not sold separately, must order Seal, Cord Asm (Item 9).

# REPLACEMENT PARTS LIST FOR MODEL "F266", "G266" and "J266"

See page 18 for illustrations.

REF. NO.	DESCRIPTION	QTY	NOTES	MODELS: F266-A			G266-A	J266-A
				10/92 thru Current			10/92 thru Current	
1	Cover & Handle Asm	1		267051			267051	267051
2	• Handle	1		267032			267032	267032
3	Cover-Mach	1		267052			267052	267052
4	Gasket, Case/Cover	1		267007			267007	267007
5	Housing, Mtr & Str	1	1 & 2	004966			009510	009511
6	Seal, O-ring	1		005701			005701	005701
7	• Clamp, Strain Relief	1		001770			001770	001770
8	Cordage Term & Seal	1		003761			003761	003761
9	• Seal, Cord-Asm & Strain Relief	1		094032			094032	094032
10	• Plug, Test-White	2		034090			034090	034090
11	• Seal, Thru Wall Term	3		003402			003402	003402
12	Retainer, HDL-NA	2		267053			267053	267053
13	• Screw, #10-24X.375 RHM-SL SS	2		001883			001883	001883
14	• Screw, .25-20X.75 HHM-SS	4		001916			001916	001916
15	Rotor Asm	1	2	009506			009506	009506
16	• Washer, Trst-Nyl.875X.504X.050"	1		002140			002140	002140
17	• Seal, Mtr Hsg	1		267006			267006	267006
18	• Oil, Dielectric (24.5 oz)	1		267056			267056	267056
19	Housing, Pump-Mach	1		003877			003877	003877
20	• Seal Asm, Shaft	1		267027			267027	267027
21	Impeller "266"	1		009884			009884	009884
22	Base-Molded	1		005199			005199	005199
23	Screw, #10-10X1-UNSLTD HEX Wash	10		005326			005326	005326
24	Nut 5/16-24 Acorn	1		004348			004348	004348
25	• Screw, #6-32X.25RHM SL TC STLGR	3		001877			001877	001877
26	• Screw, .25-20X.875"LG HH SS	4		012491			012491	012491
□	Rebuild Kit	1		004743			004743	004743

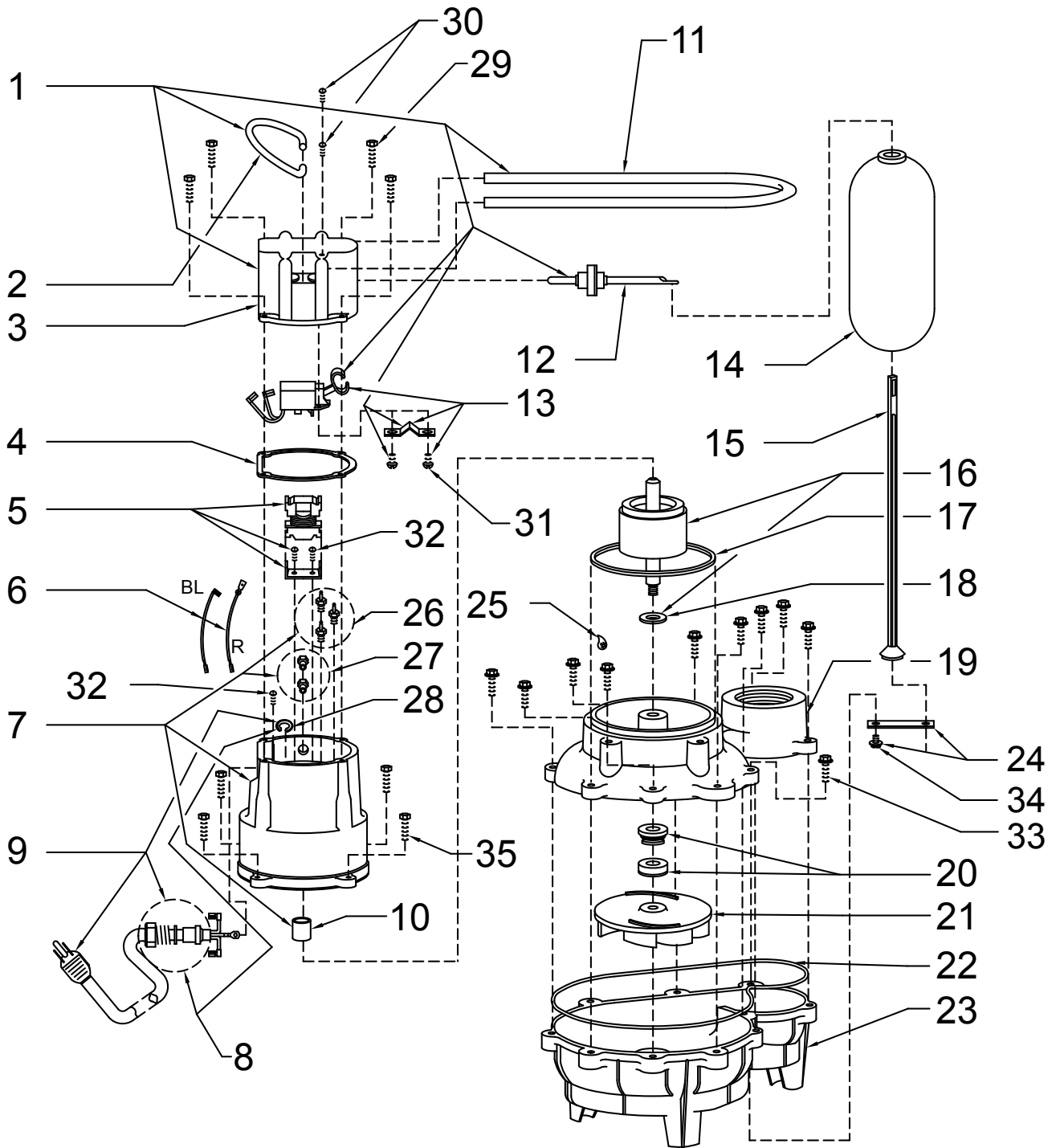
• Items included in Rebuild Kit.

□ Not shown in illustration.

## NOTES:

- 1) Motor housing, bearing, stator & terminal are preassembled at the factory and must be replaced as a unit. Stator is permanently attached to motor housing. Plug, test-white and seal, thru wall terminal are replaceable.
- 2) When ordering motor housing, bearing, stator and terminal, or rotor and bearing, specify either GE or Emerson motor.
- 3) See FM0160 parts price sheet for listing of parts prices.

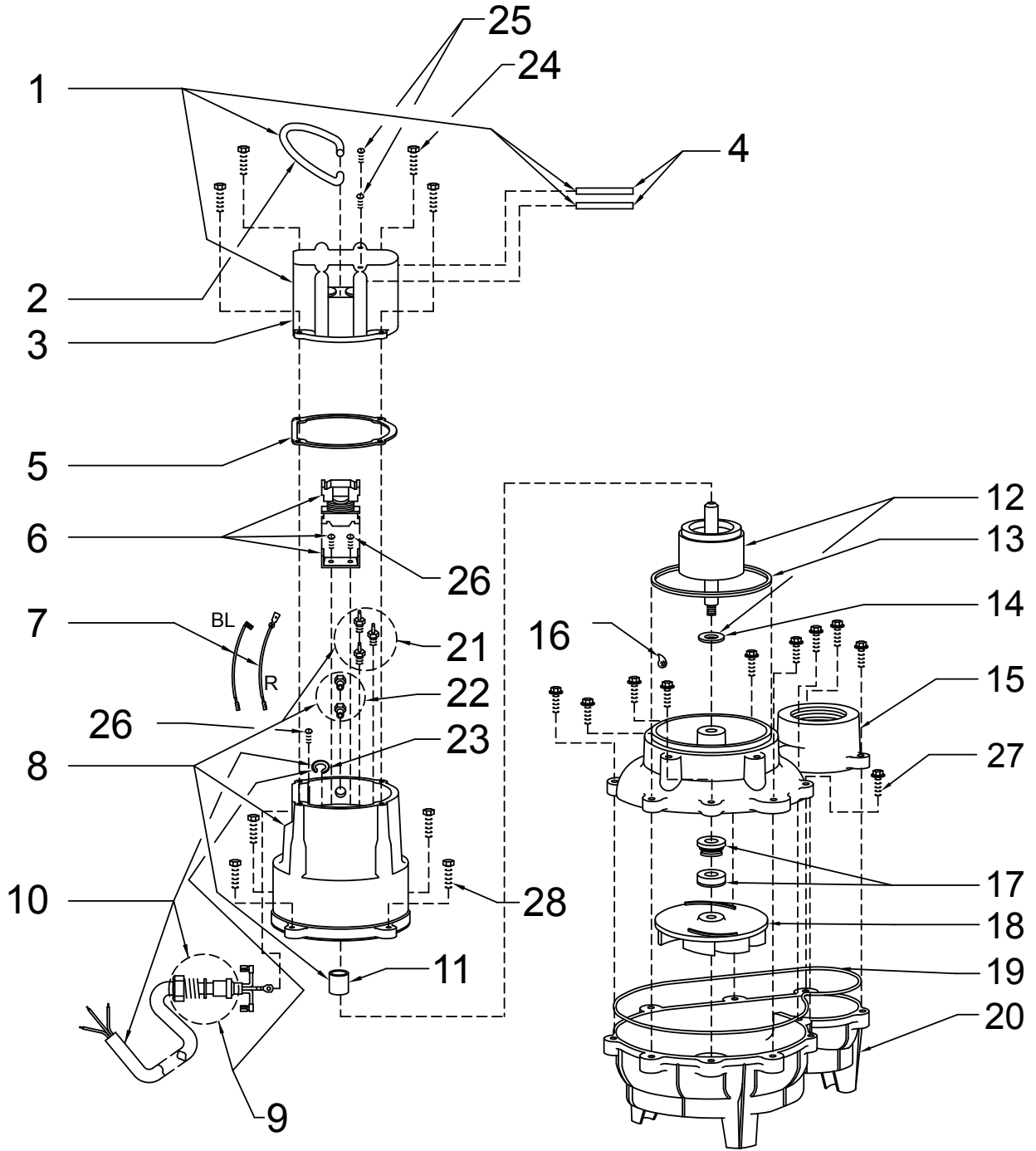
# REPLACEMENT PARTS ILLUSTRATION FOR MODELS "H266"



SK795

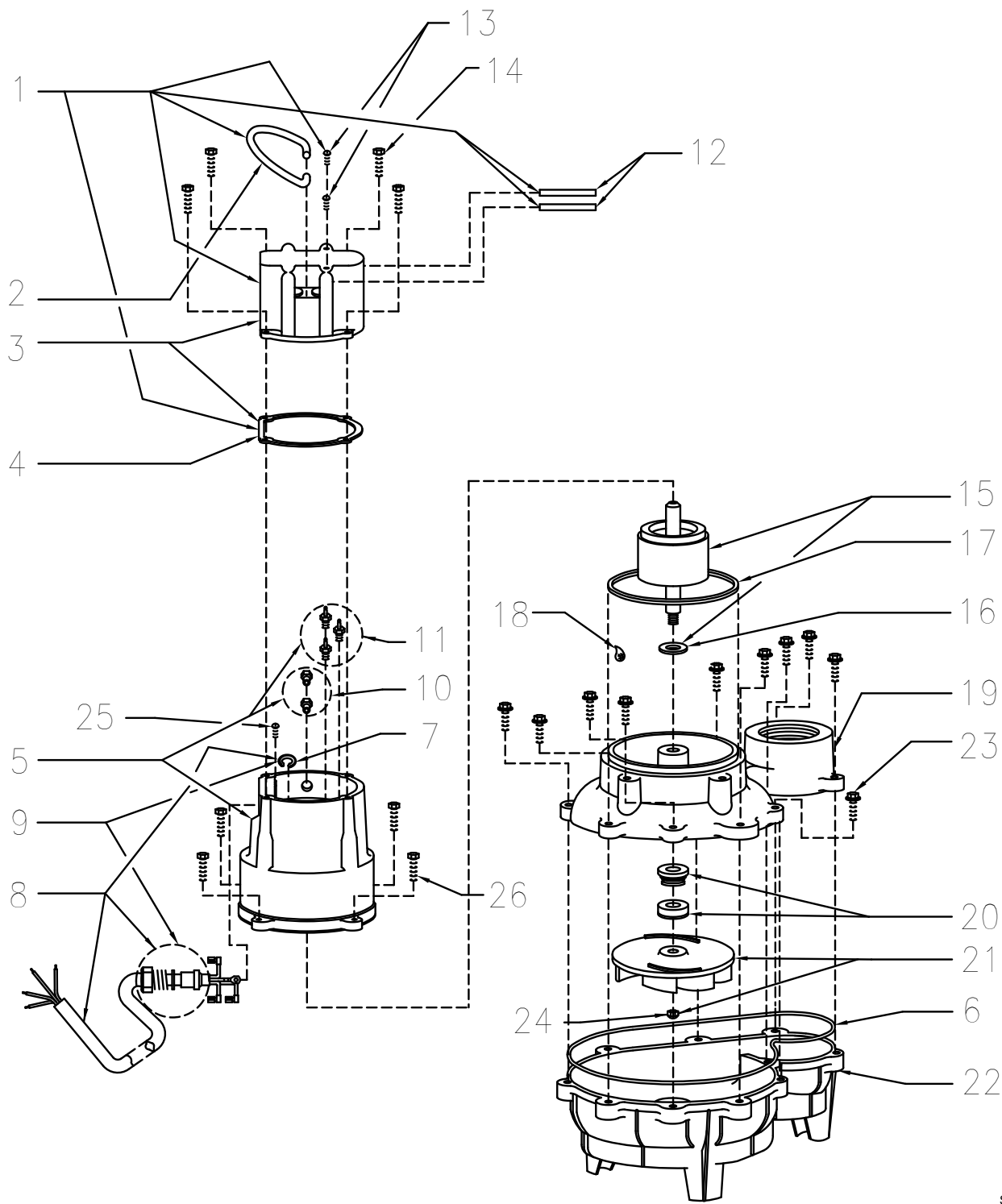


**REPLACEMENT PARTS ILLUSTRATION FOR MODELS "I266"**



SK2496

**REPLACEMENT PARTS ILLUSTRATION FOR MODELS "F, G & J266"**



SK1884



MAIL TO: P.O. BOX 16347 • Louisville, KY 40256-0347  
 SHIP TO: 3649 Cane Run Road • Louisville, KY 40211-1961  
 (502) 778-2731 • 1 (800) 928-PUMP • FAX (502) 774-3624

Trusted. Tested. Tough.®

Visit our website:  
[zoellerpumps.com](http://zoellerpumps.com)