

Product information presented here reflects conditions at time of publication. Consult factory regarding discrepancies or inconsistencies.



MAIL TO: P.O. BOX 16347 • Louisville, KY 40256-0347
SHIP TO: 3649 Cane Run Road • Louisville, KY 40211-1961
TEL: (502) 778-2731 • 1 (800) 928-PUMP • FAX: (502) 774-3624

Visit our website:
zoellerpumps.com

REPLACEMENT PARTS LIST FOR MODELS:

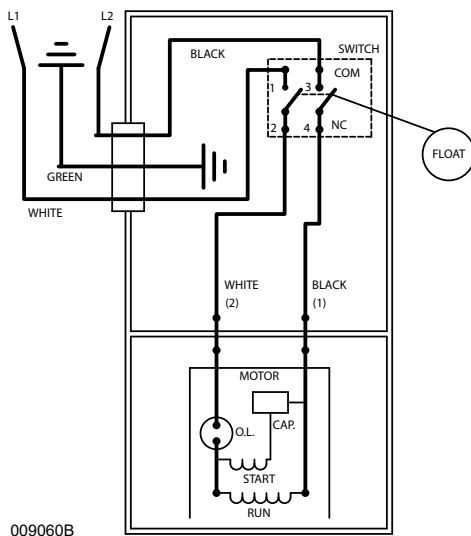
M98 AUTOMATIC 115V
D98 AUTOMATIC 230V
N98 NONAUTOMATIC 115V
E98 NONAUTOMATIC 230V

Consult factory for all other models.

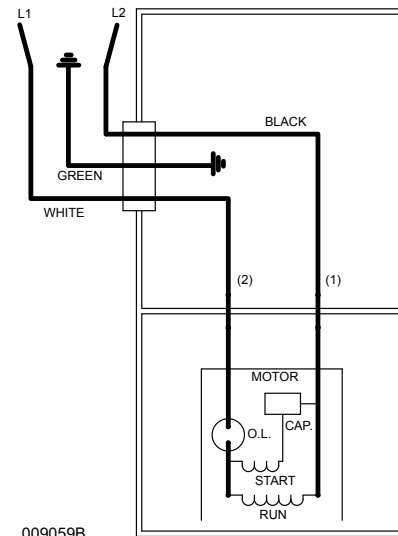
TO ORDER REPLACEMENT PARTS:

PLEASE FURNISH THE FOLLOWING INFORMATION:

- Model number.
- Part number of pump.
- Part number and description of part.



WIRING DIAGRAM FOR MODELS
"M98-"All revisions"
"D98-"All revisions"
11/90 thru Current



WIRING DIAGRAM FOR MODELS
"N98-"All revisions"
"E98-"All revisions"
11/90 thru Current

REPLACEMENT PARTS LIST FOR MODELS "M98" & "D98"

See back page for "M98" and "D98" illustration.

REF. NO.	DESCRIPTION	QTY	NOTES	MODELS: M98-A				D98-A	D98-B	D98-C	D98-D	
				11/90 thru 11/95	12/95 thru 08/09	09/09 thru Current	05/20 thru Current					
1	• GASKET,CASE/COVER	1		034046	034046	034046	034046	034046	034046	034046	034046	
2	• CLAMP,STRAIN RELIEF-RED	1		004200	004200	N/A	N/A	004200	004200	N/A	N/A	
3	• SEAL,CORD-ASM	1		156401	156401	156401	156401	156401	156401	156401	156401	
4	CORD TERM & SEAL 15'	1	3	004723	004723	004723	004723	004735	004735	004735	004735	
5	STATOR W/SCREWS 115V/1PH - ZMW	1	4, 5	N/A	010271	010271	010271	N/A	N/A	N/A	N/A	
	STATOR W/SCREWS 230V/1PH - ZMW			N/A	N/A	N/A	N/A	N/A	010272	010272	010272	
	STATOR W/SCREWS 115V/1PH - EMD			010463	N/A	N/A	N/A	N/A	N/A	N/A	N/A	N/A
	STATOR W/SCREWS 230V/1PH - EMD			N/A	N/A	N/A	N/A	N/A	010464	N/A	N/A	N/A
	STATOR W/SCREWS 115V/1PH - ZT			N/A	012084	012084	012084	N/A	N/A	N/A	N/A	N/A
6	ROTOR ASM 115/230V/1PH - ZMW	1	4	N/A	010270	010270	010270	N/A	010270	010270	010270	
	ROTOR ASM 115/230V/1PH - EMD			010463	N/A	N/A	N/A	010464	N/A	N/A	N/A	
	ROTOR ASM 115V/1PH - ZT			N/A	012085	012085	012085	N/A	N/A	N/A	N/A	
7	• SEAL,MTR HSG	1		034007	034007	034007	034007	034007	034007	034007		
8	• WASHER,TRST-NYL.875X.504X.050"	1		002140	002140	002140	002140	002140	002140	002140		
9	• OIL,DIELECTRIC (30.5 OZ CAN)	1		007051	007051	007051	007051	007051	007051	007051		
10	HOUSING,PUMP-MACH "98"	1		006107	006107	150149	150149	006107	006107	150149	150149	
11	• SEAL ASM,SHAFT-BLISTER PAK	1		267027	267027	267027	267027	267027	267027	267027	267027	
12	IMPELLER "98"	1		002570	002570	002570	002570	002570	002570	002570	002570	
13	BASE - CAST IRON	1		006333	006333	006333	N/A	006333	006333	006333	N/A	
	BASE - PLASTIC			N/A	N/A	N/A	156173	N/A	N/A	N/A	156173	
14	CASE HANDLE & ARM "98"	1		004725	004725	004725	004725	004725	004725	004725	004725	
15	• PLUG,TEST-WHITE	2		034090	034090	034090	034090	034090	034090	034090	034090	
16	• ARM & SEAL ASM	1		004704	004704	004704	004704	004704	004704	004704	004704	
17	CASE & SWITCH "98"	1		004702	004702	004702	004702	004702	004702	004702	004702	
18	• SEAL,THRU WALL TERM	2		003402	003402	003402	003402	003402	003402	003402	003402	
19	GUARD "55/59/98"	1		004645	004645	004645	004645	004645	004645	004645	004645	
20	HOUSING,MTR	1		004712	004712	004712	004712	004712	004712	004712	004712	
21	CAPACITOR	1		007642	007642	007642	007642	007642	007642	007642	007642	
22	SWITCH ASM	1		004705	004705	004705	004705	004705	004705	004705	004705	
23	FLOAT-POLYPROPYLENE	1		034019	034019	034019	034019	034019	034019	034019	034019	
24	ROD,FLOAT-MOLDED "98"	1		006215	006215	006215	006215	006215	006215	006215	006215	
25	GUIDE ASM,FLT ROD	1		034086	034086	034086	034086	034086	034086	034086	034086	
26	• SEM,10-24X.375HH-SL TC.688WASH	1		002000	002000	002000	N/A	002000	002000	002000	N/A	
27	• SCREW,SEM 10-12X.5HH-SLSHMT SC R TP A	1		N/A	N/A	N/A	003229	N/A	N/A	N/A	003229	
28	• SCREW,#10-24 X.75 RHM-SL SS	16		001885	001885	001885	001885	001885	001885	001885	001885	
29	• SCREW,#6-32X.25RHM SL TC STLGR	1		001877	001877	001877	001877	001877	001877	001877	001877	
30	• SCREW, STATOR	2		001914	001914	150099	150099	001914	001914	150099	150099	
	SCREW,#6-32X.438RHSLTP"1"STLZI	2		004644	004644	004644	004644	004644	004644	004644	004644	
□	REBUILD KIT "98"	1	5	006949	006949	006949	006949	006949	006949	006949	006949	

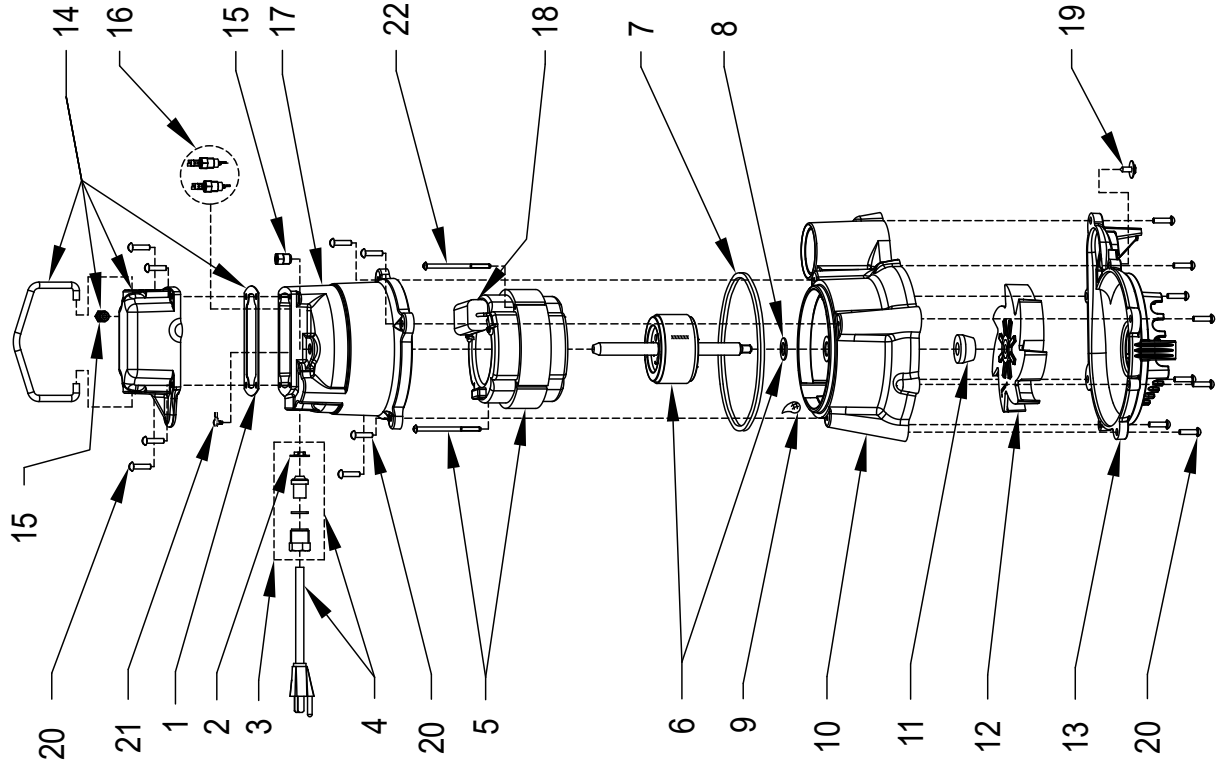
• Items included in Rebuild Kit.

□ Not Shown in Illustration.

NOTES:

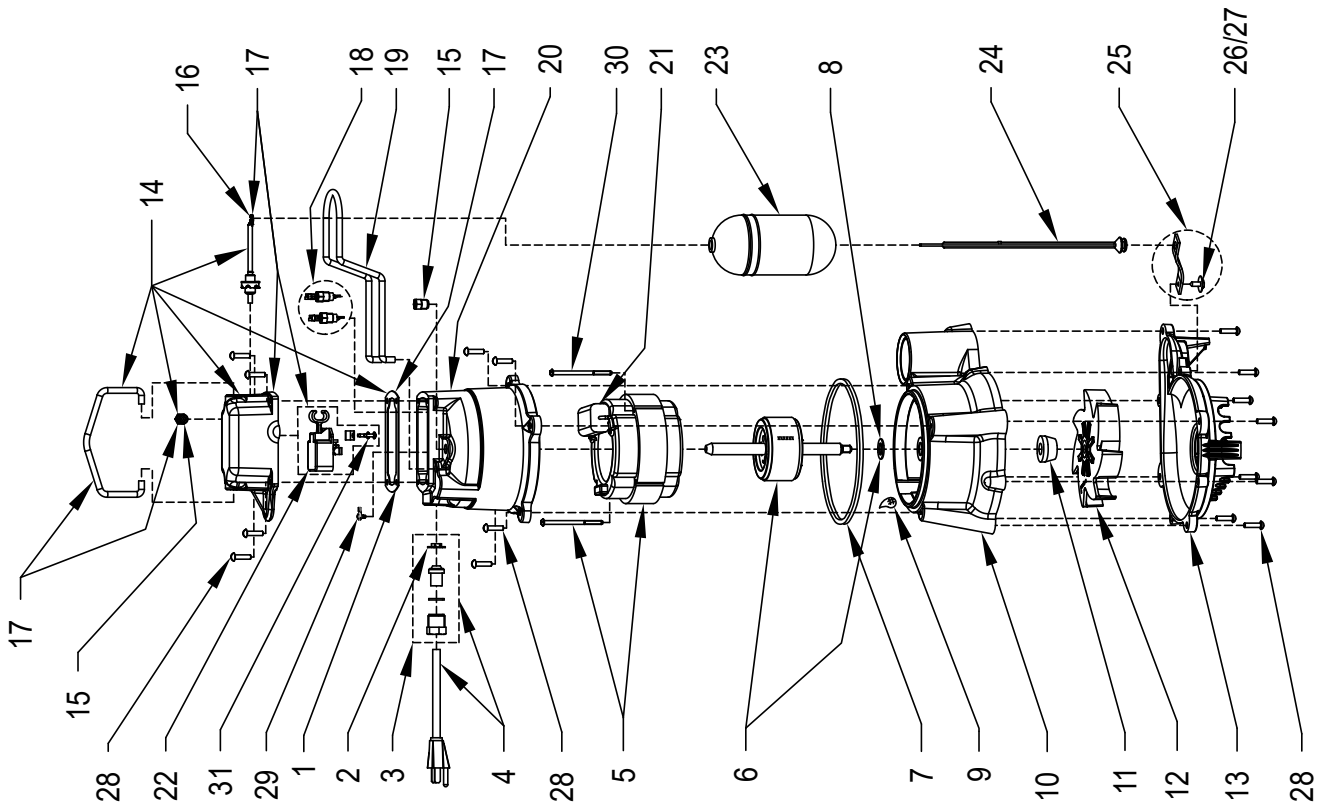
- 1) See FM0160 Parts Price Sheet for listing of part prices.
- 2) "N/A indicates, not applicable.
- 3) If an "X" follows Model No. or Date Mfg. on ID tag, consult factory for ordering of this part.
- 4) When ordering these parts, customer must identify ZMW, EMD or ZT.
- 5) Kits are supplied with two different length screws for mounting stators.
During assembly verify length and ensure screws are seated properly.

REPLACEMENT PARTS ILLUSTRATION FOR MODELS "N98" AND "E98"



SK1113

REPLACEMENT PARTS ILLUSTRATION FOR MODELS "M98" AND "D98"



SK1112