

Trusted. Tested. Tough.™

Product information presented here reflects conditions at time of publication. Consult factory regarding discrepancies or inconsistencies.



SECTION: 6.10.391

FM2735

1012

Supersedes

New

**MAIL TO:** P.O. BOX 16347 • Louisville, KY 40256-0347  
**SHIP TO:** 3649 Cane Run Road • Louisville, KY 40211-1961  
**TEL:** (502) 778-2731 • 1 (800) 928-PUMP • **FAX:** (502) 774-3624

**Visit our web site:**  
**zoellerpumps.com**

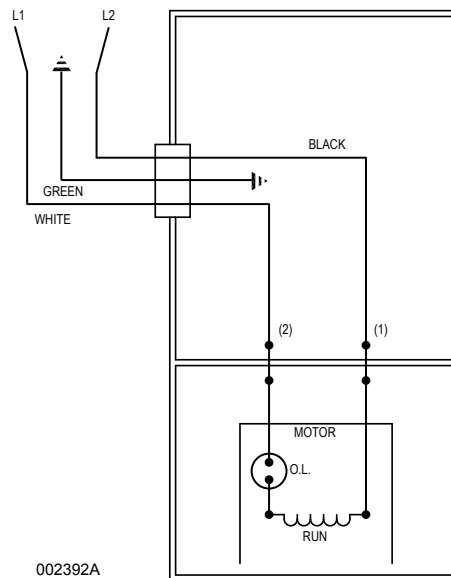
## REPLACEMENT PARTS LIST FOR MODELS:

**N371 NONAUTOMATIC 115V**  
**E371 NONAUTOMATIC 230V**

Consult factory for all other models

**TO ORDER REPLACEMENT PARTS:**  
**PLEASE FURNISH THE FOLLOWING INFORMATION:**

- Model number
- Part number and description of part



002392A

WIRING DIAGRAM FOR MODELS  
"N371-A" and "E371-A"  
3/09 thru Current

# REPLACEMENT PARTS LIST FOR MODELS "N371" and "E371"

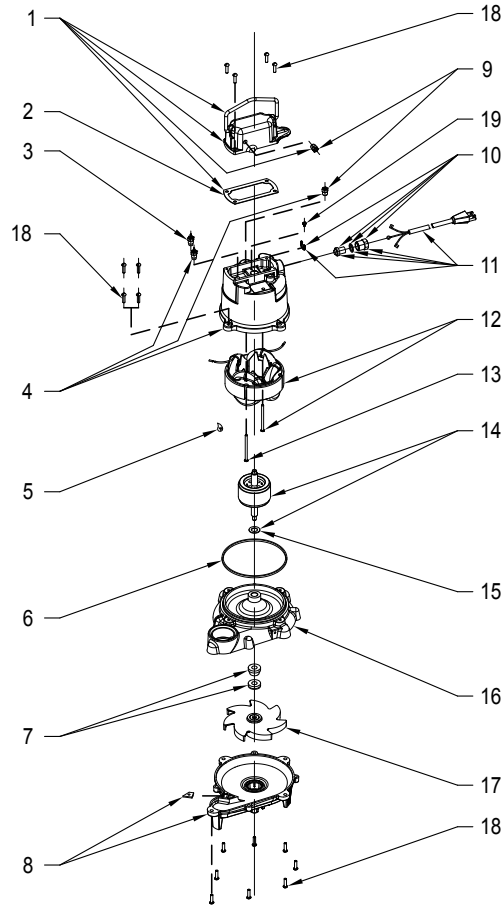
REF NO.	DESCRIPTION	QTY	NOTES	MODELS:	
				N371	E371
1	Cover Assembly	1		3/09 thru Current	4/11 thru Current
2	• Cover Gasket	1		034067	034067
3	• Thru Wall Terminals	2		034046	034046
4	Motor Housing Assembly	1		003402	003402
5	• Dielectric Oil	1		004712	004712
6	• Motor Housing Seal	1		002588	002588
7	• Shaft Seal Assembly	1		034007	034007
8	Base Assembly	1		019402	019402
9	• Test Plugs	2		152346	152346
10	• Cord Seal Assembly	1		034090	034090
11	Cord Assembly	1		004322	152347
12	Stator Assembly	1		014530	152348
13	• Stator Screws	2		007951	007952
14	Rotor Assembly	1		001914	001914
15	• Thrust Washer	1		054032	054032
16	Pump Housing	1		019405	019405
17	Impeller Assembly	1		057018	057018
18	• Screw, #10	16		003644	003644
19	• Ground Screw, #6	1		001885	001885
□	Rebuild Kit "53/1053/55"	1		001877	001877
				152345	152345

**NOTES:**

- 1) See FM0160 Parts Price Sheet for listing of parts prices.
- 2) "NA" indicates, not applicable.
- 3) If an "X" follows Model No., or Date Mfg. on brass ID tag, consult factory for ordering any parts.

• Items included in Rebuild Kit.

# REPLACEMENT PARTS ILLUSTRATION FOR MODELS "N371" AND "E371"



SK2945