

Product information presented here reflects conditions at time of publication. Consult factory regarding discrepancies or inconsistencies.



MAIL TO: P.O. BOX 16347 • Louisville, KY 40256-0347
SHIP TO: 3649 Cane Run Road • Louisville, KY 40211-1961
TEL: (502) 778-2731 • 1 (800) 928-PUMP • FAX: (502) 774-3624

Visit our web site:
zoellerpumps.com

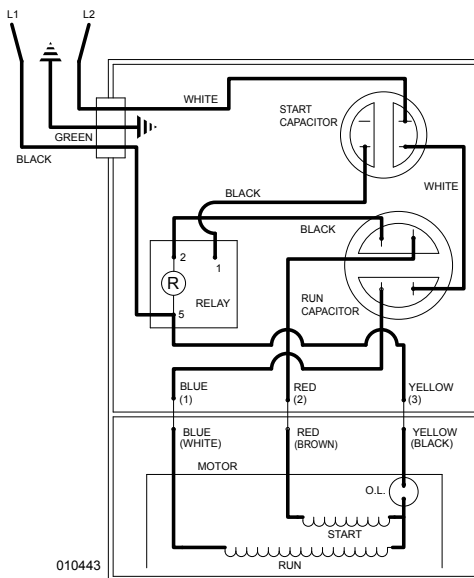
REPLACEMENT PARTS LIST FOR GRINDER MODELS:

- N818 NONAUTOMATIC 115V 1PH
 - E818 NONAUTOMATIC 230V 1PH
 - I818 NONAUTOMATIC 200V 1PH
 - WM818 AUTOMATIC w/wired float switch 115V 1PH
 - WD818 AUTOMATIC w/wired float switch 230V 1PH
 - WH818 AUTOMATIC w/wired float switch 200V 1PH
 - J818 NONAUTOMATIC 200 V 3PH
 - F818 NONAUTOMATIC 230 V 3PH
 - K818 NONAUTOMATIC 380 V 3PH
 - G818 NONAUTOMATIC 460 V 3PH
 - BA818 NONAUTOMATIC 575 V 3PH
- Consult factory for all other models

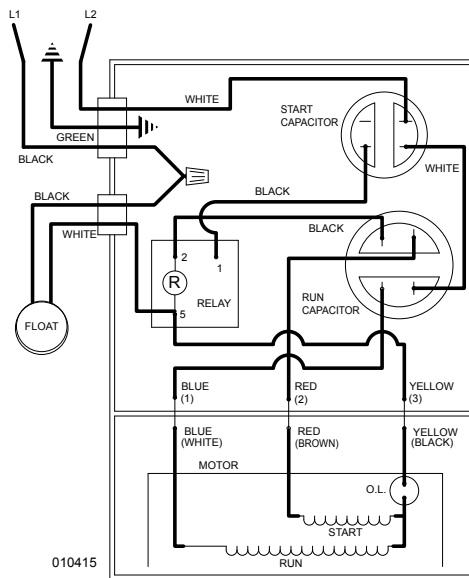
TO ORDER REPLACEMENT PARTS:

PLEASE FURNISH THE FOLLOWING INFORMATION:

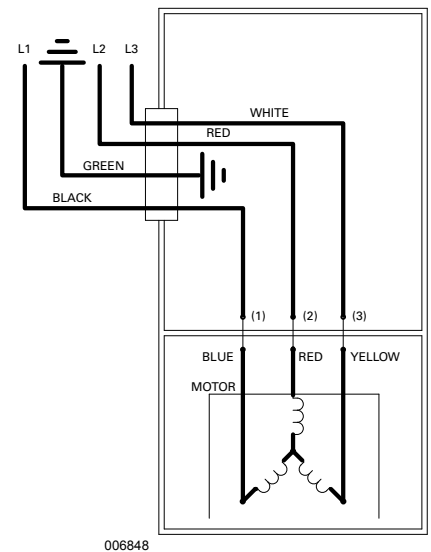
- Model Number.
- Part Number of Pump.
- Part Number and Description of part.



WIRING DIAGRAM FOR MODELS
"N818", "E818", "I818"
All Revisions



WIRING DIAGRAM FOR MODELS
"WM818", "WD818", "WH818"
All Revisions



WIRING DIAGRAM FOR MODELS
"J818", "F818", "K818",
"G818", and "BA818" All Revisions
09/17 thru Current

REPLACEMENT PARTS LIST FOR MODELS "N818", "E818" and "I818".

REF NO.	DESCRIPTION	MODELS:			QTY	NOTE	E818-A		E818-B		I818-A	
		N818-A	E818-A	E818-B			11/16 thru Current	10/18 thru Current	11/16 thru Current			
1	• HANDLE	217069	217069	217069	1		217069	217069	217069	217069	217069	
2	COVER & CORD 115V/1PH/30A AUTO 818"	154280	154286	154286	1	3	154280	154286	154286	154286	015609	
3	COVER-MACH & HANDLE ASM	015612	015612	015612	1	3	015612	015612	015612	015612	015612	
4	SWTCH FLT-TERM & SEAL	N/A	N/A	N/A	0		N/A	N/A	N/A	N/A	N/A	
5	SEAL,CORD-FLOAT SWITCH	N/A	N/A	N/A	0		N/A	N/A	N/A	N/A	N/A	
6	CORD TERM&SEAL	154289	154297	154297	1	3	154289	154297	154297	154297	015615	
7	SEAL,CORD-ASM&STR RLF	015634	015634	015634	1	3	015634	015634	015634	015634	015634	
8	• GASKET,CASECOVER	001011	001011	001011	1		001011	001011	001011	001011	001011	
9	• WIRE PKG (6 WIRES)	010833	010833	010833	1		010833	010833	010833	010833	010833	
10	CAPACITOR-START & CLAMP ASM.	010829	010829	010829	1		010829	010829	010829	010829	010829	
11	CAPACITOR-RUN & CLAMP ASM	010830	010830	010830	1		010830	010830	010830	010830	010830	
12	RELAY/MOTOR STARTING	154312	154312	154312	1		154312	154312	154312	154312	154312	
13	• PLUG,TEST	015023	015023	015023	2		015023	015023	015023	015023	015023	
14	• SEAL,THRU WALL TERM	003402	003402	003402	3		003402	003402	003402	003402	003402	
15	HOUSING,MTR-&STR	154290	154298	154298	1	4	154290	154298	154298	154298	154298	
16	• BEARING,6201	006703	006703	006703	1		006703	006703	006703	006703	006703	
17	KEY	011711	011711	011711	1		011711	011711	011711	011711	011711	
18	ROTOR & BRG ASM/1PH "818"	154291	154291	154291	1		154291	154291	154291	154291	154291	
19	• BEARING,7303	009861	009861	009861	1		009861	009861	009861	009861	009861	
20	• SEAL,MTR HSG	001014	001014	001014	1		001014	001014	001014	001014	001014	
21	• OIL DIELECTRIC	018233	018233	018233	1		018233	018233	018233	018233	018233	
22	ADAPTER-MACH	001003	001003	001003	1		001003	001003	001003	001003	001003	
23	• SEAL,SHAFT	002430	002430	002430	1		002430	002430	002430	002430	002430	
24	WASHER,SUPPORT-SS	010863	010863	010863	1		010863	010863	010863	010863	010863	
25	COLLAR,SHAFT	010409	010409	010409	1		010409	010409	010409	010409	010409	
26	IMPELLER,PLASTIC "818"	153909	153909	153909	1		153909	153909	153909	153909	153909	
27	HOUSING,PUMP-MACH "818"	154088	154088	154088	1		154088	154088	154088	154088	154088	
28	CUTTER & DISC ASM,"818"	154292	154292	154292	1		154292	154292	154292	154292	154292	
29	CUTTER SHIM SET	012632	012632	012632	1		012632	012632	012632	012632	012632	
30	WASHER,RETAINING	008533	008533	008533	1		008533	008533	008533	008533	008533	
31	CONNECTOR,WIRENUT 14-16GA	N/A	N/A	N/A	0		N/A	N/A	N/A	N/A	N/A	
32	• SCREW,25-20X.75" SH CAP SS	007768	007768	007768	6		007768	007768	007768	007768	007768	
33	• SCREW,25-20 X .75LG HH SS (NYLOCK)	009545	009545	009545	1		009545	009545	009545	009545	009545	
34	• SCREW,313-18 X 1" HH CAP-SS	002608	002608	002608	4		002608	002608	002608	002608	002608	
35	• SCREW,25-20X1" HHM-SS	007790	007790	007790	4		007790	007790	007790	007790	007790	
36	• SCREW,25-20X.75 HHM-SS/INDENTED/UNSLOTTED	001916	001916	001916	4		001916	001916	001916	001916	001916	
37	• SCREW,#6-32X.25RHM SL TC STLGR	001877	001877	001877	5		001877	001877	001877	001877	001877	
38	• SPRING,BEARING PRELOAD	017192	017192	017192	1		017192	017192	017192	017192	017192	
39	• SCREW,#6-32X.375RHM SL TC ZINC PLATED	019421	019421	019421	1		019421	019421	019421	019421	019421	
40	DISC,CUTTER	153203	153203	153203	1		153203	153203	153203	153203	153203	
41	CUTTER & SHIM ASM/BLADE/.75" SCREW	154295	154295	154295	1		154295	154295	154295	154295	154295	
42	INSULATOR FLAG TERMINAL	001797	001797	001797	3		001797	001797	001797	001797	001797	
▫	REBUILD KIT	018234	018234	018234	1		018234	018234	018234	018234	018234	

• Items included in Rebuild Kit. ▫ Not Shown in Illustration.

REPLACEMENT PARTS LIST FOR MODELS "WM818", "WD818" and "WH818".

REF NO.	DESCRIPTION	MODELS:			QTY	NOTE	WM818-A		WD818-B		WH818-A	
		N818-A	E818-A	E818-B			11/16 thru Current	10/18 thru Current	11/16 thru Current			
1	• HANDLE	217069	217069	217069	1		217069	217069	217069	217069	217069	
2	COVER & CORD & FLT "818"	154300	154300	154300	1		154300	154300	154300	154300	015611	
3	COVER-MACH & HANDLE ASM	015613	015613	015613	1	3	015613	015613	015613	015613	015613	
4	SWTCH FLT-TERM & SEAL	N/A	N/A	N/A	1	3	010827	010827	010827	010827	011880	
5	SEAL,CORD-FLOAT SWITCH	N/A	N/A	N/A	1		010865	010865	010865	010865	011071	
6	CORD TERM&SEAL	154304	154304	154304	1	3	154304	154304	154304	154304	015633	
7	SEAL,CORD-ASM&STR RLF	015634	015634	015634	1	3	015634	015634	015634	015634	015634	
8	• GASKET,CASECOVER	001011	001011	001011	1		001011	001011	001011	001011	001011	
9	• WIRE PKG (6 WIRES)	010833	010833	010833	1		010833	010833	010833	010833	010833	
10	CAPACITOR-START & CLAMP ASM.	010829	010829	010829	1		010829	010829	010829	010829	010829	
11	CAPACITOR-RUN & CLAMP ASM	010830	010830	010830	1		010830	010830	010830	010830	010830	
12	RELAY/MOTOR STARTING	154312	154312	154312	1		154312	154312	154312	154312	154312	
13	• PLUG,TEST	015023	015023	015023	2		015023	015023	015023	015023	015023	
14	• SEAL,THRU WALL TERM	003402	003402	003402	3		003402	003402	003402	003402	003402	
15	HOUSING,MTR-&STR	154290	154298	154298	1	4	154290	154298	154298	154298	154298	
16	• BEARING,6201	006703	006703	006703	1		006703	006703	006703	006703	006703	
17	KEY	011711	011711	011711	1		011711	011711	011711	011711	011711	
18	ROTOR & BRG ASM/1PH "818"	154291	154291	154291	1		154291	154291	154291	154291	154291	
19	• BEARING,7303	009861	009861	009861	1		009861	009861	009861	009861	009861	
20	• SEAL,MTR HSG	001014	001014	001014	1		001014	001014	001014	001014	001014	
21	• OIL DIELECTRIC	018233	018233	018233	1		018233	018233	018233	018233	018233	
22	ADAPTER-MACH	001003	001003	001003	1		001003	001003	001003	001003	001003	
23	• SEAL,SHAFT	002430	002430	002430	1		002430	002430	002430	002430	002430	
24	WASHER,SUPPORT-SS	010863	010863	010863	1		010863	010863	010863	010863	010863	
25	COLLAR,SHAFT	010409	010409	010409	1		010409	010409	010409	010409	010409	
26	IMPELLER,PLASTIC "818"	153909	153909	153909	1		153909	153909	153909	153909	153909	
27	HOUSING,PUMP-MACH "818"	154088	154088	154088	1		154088	154088	154088	154088	154088	
28	CUTTER & DISC ASM,"818"	154292	154292	154292	1		154292	154292	154292	154292	154292	
29	CUTTER SHIM SET	012632	012632	012632	1		012632	012632	012632	012632	012632	
30	WASHER,RETAINING	008533	008533	008533	1		008533	008533	008533	008533	008533	
31	CONNECTOR,WIRENUT 14-16GA	N/A	N/A	N/A	0		N/A	N/A	N/A	N/A	N/A	
32	• SCREW,25-20X.75" SH CAP SS	007768	007768	007768	6		007768	007768	007768	007768	007768	
33	• SCREW,25-20 X .75LG HH SS (NYLOCK)	009545	009545	009545	1		009545	009545	009545	009545	009545	
34	• SCREW,313-18 X 1" HH CAP-SS	002608	002608	002608	4		002608	002608	002608	002608	002608	
35	• SCREW,25-20X1" HHM-SS	007790	007790	007790	4		007790	007790	007790	007790	007790	
36	• SCREW,25-20X.75 HHM-SS/INDENTED/UNSLOTTED	001916	001916	001916	4		001916	001916	001916	001916	001916	
37	• SCREW,#6-32X.25RHM SL TC STLGR	001877	001877	001877	5		001877	001877	001877	001877	001877	
38	• SPRING,BEARING PRELOAD	017192	017192	017192	1		017192	017192	017192	017192	017192	
39	• SCREW,#6-32X.375RHM SL TC ZINC PLATED	019421	019421	019421	1		019421	019421	019421	019421	019421	
40	DISC,CUTTER	153203	153203	153203	1		153203	153203	153203	153203	153203	
41	CUTTER & SHIM ASM/BLADE/.75" SCREW	154295	154295	154295	1		154295	154295	154295	154295	154295	
42	INSULATOR FLAG TERMINAL	001797	001797	001797	3		001797	001797	001797	001797	001797	
▫	REBUILD KIT	018234	018234	018234	1		018234	018234	018234	018234	018234	

• Items included in Rebuild Kit. ▫ Not Shown in Illustration.

See back page for illustration.

REPLACEMENT PARTS LIST FOR MODELS "J818", "F818", "K818" "G818" and "BA818".

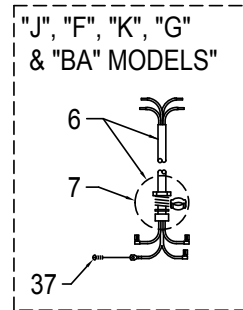
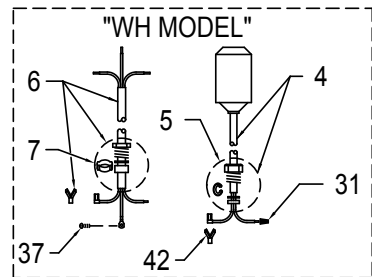
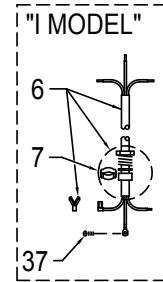
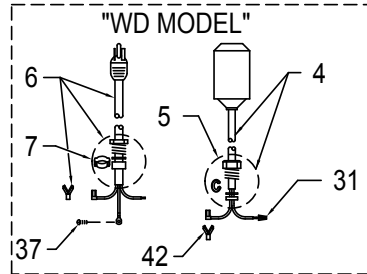
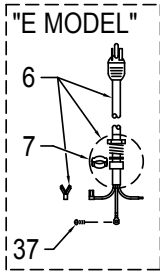
See back page for illustration.

REF NO.	DESCRIPTION	QTY	NOTE	MODELS:				
				J818-A	F818-A	K818-A	G818-A	BA818-A
				09/17 thru Current	09/17 thru Current	09/17 thru Current	09/17 thru Current	09/17 thru Current
1	• HANDLE	1		217069	217069	217069	217069	217069
2	COVER AND CORD 3PH/NONAUTO "818"	1		154685	154685	154685	154685	154685
3	COVER-MACH & HANDLE ASM	1		015612	015612	015612	015612	015612
4	SWITCH, FLT-TERM & SEAL	0		N/A	N/A	N/A	N/A	N/A
5	SEAL, CORD-FLOAT SWITCH	0		N/A	N/A	N/A	N/A	N/A
6	CORD TERM & SEAL	1		014177	014177	014177	014177	014177
7	• SEAL, CORD-ASM & STR RLF	1		015634	015634	015634	015634	015634
8	• GASKET, CASE/COVER	1		001011	001011	001011	001011	001011
9	• WIRE PKG (6 WIRES)	0		N/A	N/A	N/A	N/A	N/A
10	CAPACITOR-START & CLAMP ASM	0		N/A	N/A	N/A	N/A	N/A
11	CAPACITOR-RUN & CLAMP ASM	0		N/A	N/A	N/A	N/A	N/A
12	RELAY, VOLTAGE SENSING	0		N/A	N/A	N/A	N/A	N/A
13	• PLUG, TEST	2		015023	015023	015023	015023	015023
14	• SEAL, THRU WALL TERM	3		003402	003402	003402	003402	003402
15	HOUSING, MTR & STR	1	4	154676	154677	154678	154679	154670
16	• BEARING, 6201	1		006703	006703	006703	006703	006703
17	KEY	1		011711	011711	011711	011711	011711
18	ROTOR & BRG ASM 3PH "818"	1		154698	154698	154698	154698	154698
19	• BEARING, 7303	1		009861	009861	009861	009861	009861
20	• SEAL, MTR HSG	1		001014	001014	001014	001014	001014
21	• OIL, DIELECTRIC	1		018233	018233	018233	018233	018233
22	ADAPTER-MACH	1		001003	001003	001003	001003	001003
23	• SEAL, SHAFT	1		002430	002430	002430	002430	002430
24	WASHER, SUPPORT-SS	1		010863	010863	010863	010863	010863
25	COLLAR, SHAFT	1		010409	010409	010409	010409	010409
26	IMPELLER-PLASTIC "818"	1		153909	153909	153909	153909	153909
27	HOUSING, PUMP-MACH "818"	1		154088	154088	154088	154088	154088
28	CUTTER & DISC ASM "818"	1		154292	154292	154292	154292	154292
29	CUTTER SHIM SET	1		012632	012632	012632	012632	012632
30	WASHER, RETAINING	1		008533	008533	008533	008533	008533
31	CONNECTOR,WIRENUT 14-16GA	0		N/A	N/A	N/A	N/A	N/A
32	• SCREW, .25-20 X .75" SH CAP SS	6		007768	007768	007768	007768	007768
33	• SCREW, .25-20 X .75" HH SS (NYLOCK)	1		009545	009545	009545	009545	009545
34	• SCREW, .313-18 X 1" HH CAP SS	4		002608	002608	002608	002608	002608
35	• SCREW, .25-20 X 1" HHM SS	4		007790	007790	007790	007790	007790
36	• SCREW, .25-20 X .75" HHM SS/INDENTED/ UNSLOT	4		001916	001916	001916	001916	001916
37	• SCREW, #6-32X.25RHM SL TC STLGR	1		001877	001877	001877	001877	001877
38	• SPRING, BEARING PRELOAD	1		017192	017192	017192	017192	017192
39	• SCREW, #6-32X.375RHM SL TC ZINC PLATED	0		N/A	N/A	N/A	N/A	N/A
40	DISC, CUTTER	1		153203	153203	153203	153203	153203
41	CUTTER & SHIM ASM/2 BLADE/.75" SCREW	1		154295	154295	154295	154295	154295
42	INSULATOR FLAG TERMINAL	0		N/A	N/A	N/A	N/A	N/A
	REBUILD KIT	1		018234	018234	018234	018234	018234

NOTES:

- 1) See FM0160 Price Sheet for listing of parts prices.
- 2) "N/A" indicates, not applicable.
- 3) If an "X" follows Model No., or Date Mfg. on brass ID tag, consult factory for ordering of this part.
- 4) Housing, MTR & Stator (Item 15) is preassembled at factory and must be replaced as a unit. Stator is permanently attached to the Motor Housing. Plug (Item 13) and Seal, thru Wall Term. (Item 14) and Bearing (Item 16) are replaceable.

REPLACEMENT PARTS ILLUSTRATION FOR 818 - ALL MODELS



APPLICABLE CORD, SEAL & GROUND SCREW

