

Product information presented here reflects conditions at time of publication. Consult factory regarding discrepancies or inconsistencies.



MAIL TO: P.O. BOX 16347 • Louisville, KY 40256-0347
 SHIP TO: 3649 Cane Run Road • Louisville, KY 40211-1961
 TEL: (502) 778-2731 • 1 (800) 928-PUMP • FAX: (502) 774-3624

Visit our website:
 zoellerpumps.com

REPLACEMENT PARTS LIST FOR MODELS:

Permanent Split Capacitor Motor Design

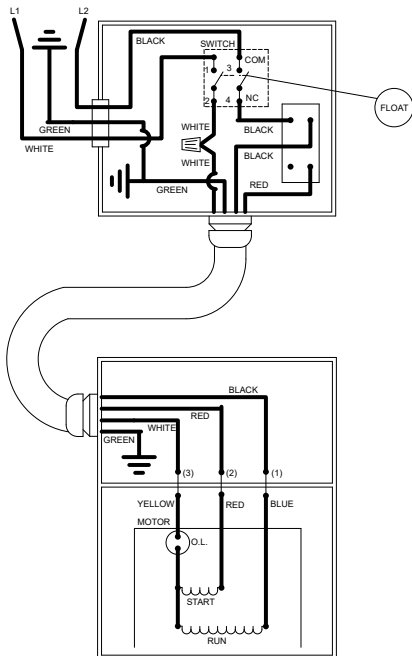
M3137 AUTOMATIC 115V
 N3137 NONAUTOMATIC 115V
 D3137 AUTOMATIC 230V
 E3137 NONAUTOMATIC 230V

Consult factory for all other models

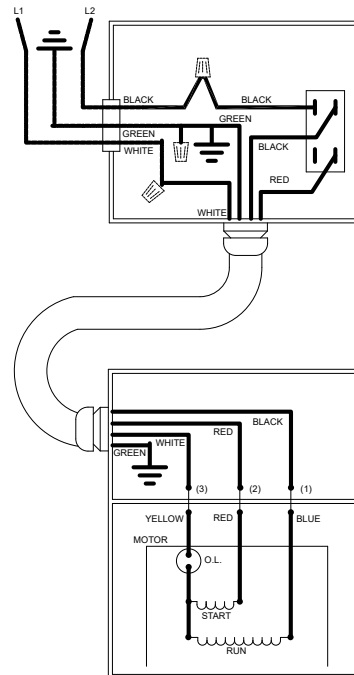
TO ORDER REPLACEMENT PARTS:

PLEASE FURNISH THE FOLLOWING INFORMATION:

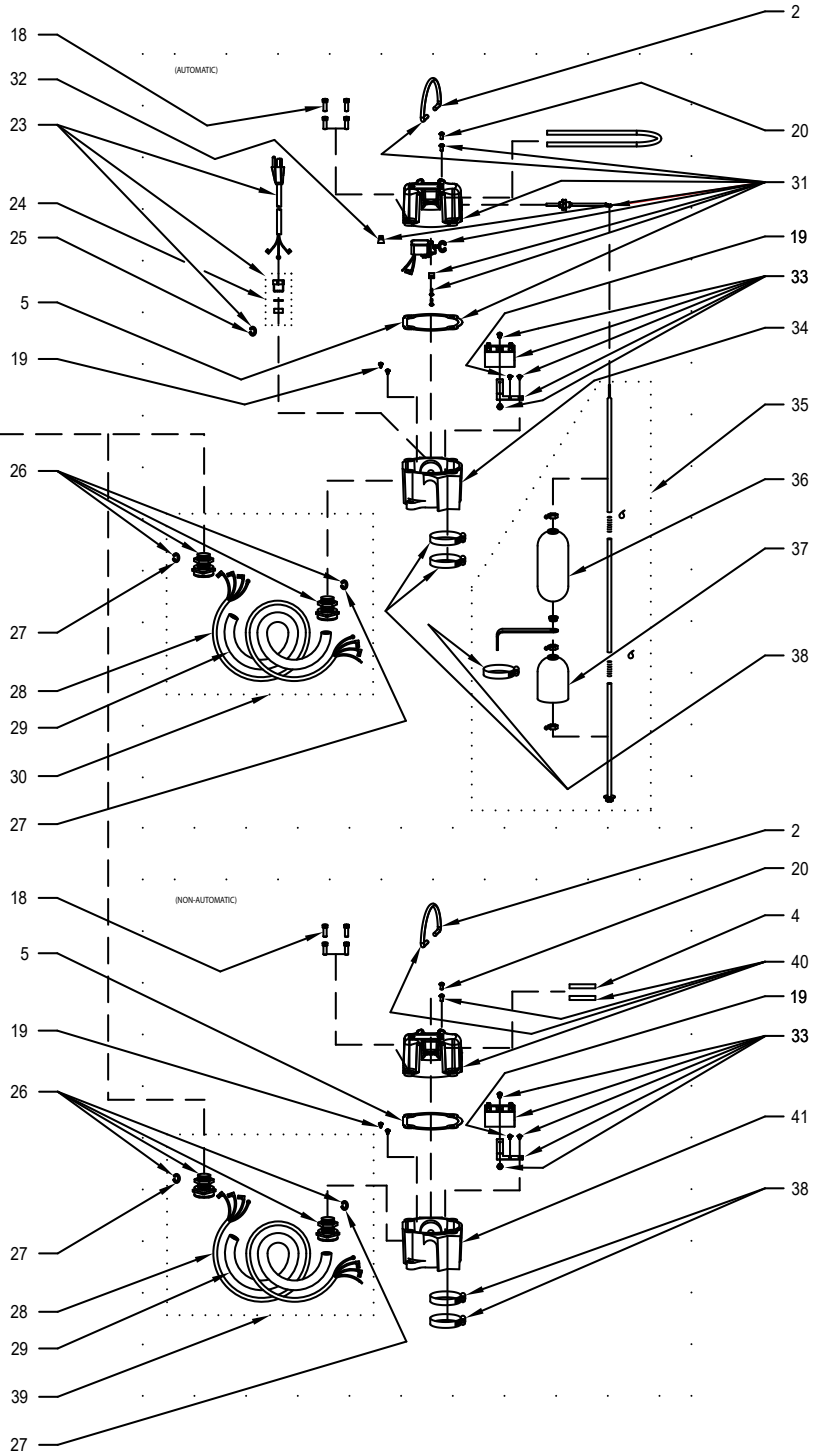
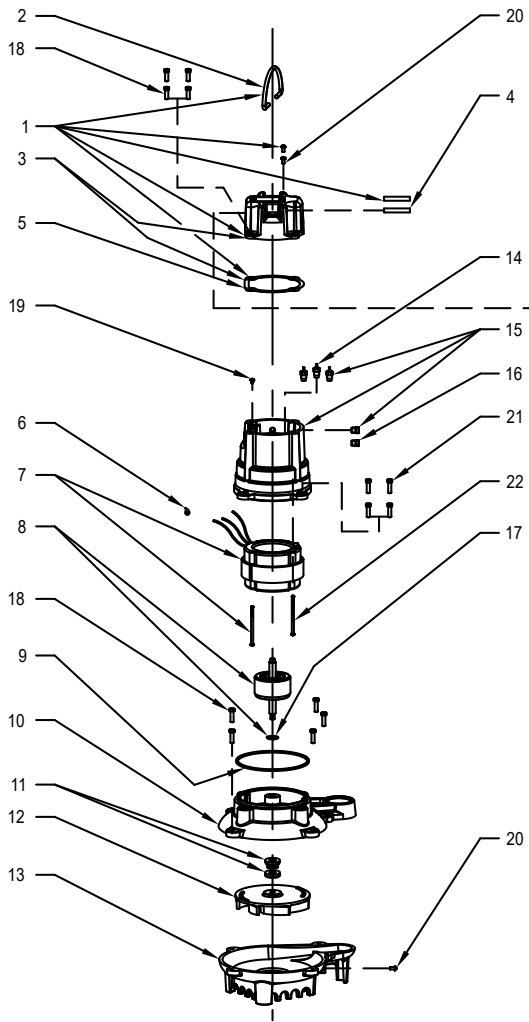
- Model Number.
- Part Number of Pump.
 (If manufactured prior to June 1988, give 2 letter date code following Model No.)
- Part Number and Description of part.



WIRING DIAGRAM FOR MODELS
 "M3137" All Revisions and "D3137" All Revisions
 10/87 (WT) to Current



WIRING DIAGRAM FOR MODELS
 "N3137" All Revisions and "E3137" All Revisions
 10/87 (WT) thru Current



SK3234

M3137-F, N3137-F, D3137-E, E3137-E.								
REF NO.	QTY	Kit	DESCRIPTION	NOTES	M3137-F 10/19 thru CURRENT.	N3137-F 10/19 thru CURRENT.	D3137-E 10/19 thru CURRENT.	E3137-E 10/19 thru CURRENT.
1	1		Cover assembly - Pump		009606	009606	009606	009606
2	3	*	Handle		267032	267032	267032	267032
3	1		Cover Mach. & Gasket - Pump		009606	009606	009606	009606
4	4	*	Retainer - Pump		267053	267053	267053	267053
5	3	*	Gasket - Case/Cover		014555	014555	014555	014555
6	1	*	Dielectric oil		006064	006064	006064	006064
7	1		Stator with screws		156095	156095	156096	156096
8	1		Rotor assembly		155788	155788	155788	155788
9	1	*	Motor housing seal		014256	014256	014256	014256
10	1		Pump housing - Mach.		137004	137004	137004	137004
11	1	*	Shaft seal Assembly		014554	014554	014554	014554
12	1		Impeller		137006	137006	137006	137006
13	1		Base		001509	001509	001509	001509
14	3	*	Thru wall terminals		003402	003402	003402	003402
15	1		Motor Housing assembly		156097	156097	156097	156097
16	2	*	Test plugs		015023	015023	015023	015023
17	1	*	Thrust washer		002140	002140	002140	002140
18	17	*	Screw - Cover & Base (1/4-20 x 3/4" long)		001916	001916	001916	001916
19	8	*	Screw - Ground (#6-32 x 1/4" long)		001877	001877	001877	001877
20	7	*	Screw - Guard & retainers/Guide (#10-24 x 3/8" long)		001883	001883	001883	001883
21	4	*	Screw - Motor housing (1/4-20 x 7/8" long)		012491	012491	012491	012491
22	2	*	Screw - Stator (#8-32 x 3 1/16" long)		154768	154768	154768	154768
23	1		Cord Term and Seal		005348	N/A	005369	N/A
24	1		Strain relief		001770	N/A	001770	N/A
25	1		Seal asm & strain relief		004721	N/A	004721	N/A
26	4	*	Seal asm - conduit		009643	009643	009643	009643
27	1		Strain relief		001770	001770	001770	001770
28	1		Cordage and terminals		007091	N/A	007091	N/A
29	1		Conduit 3'		005167	005167	005167	005167
30	1		Cordage, conduit & seals - Automatic		009644	N/A	009644	N/A
31	1		Case and Switch - Automatic		007087	N/A	007087	N/A
32	1	*	Wire nut connector		001776	N/A	001776	N/A
33	1		Capacitor assembly		156122	156122	156122	156122
34	1		Housing, Switch case - Automatic		009453	009453	009453	009453
35	1		Float rod assembly		005352	N/A	005352	N/A
36	1		Float - large		034019	N/A	034019	N/A
37	1		Float - small		004912	N/A	004912	N/A
38	5		Clamp		001766	N/A	001766	N/A
39	1		Cordage, conduit & seals - Non-Automatic		N/A	009645	N/A	009645
40	1		Case and Switch - Non-Automatic		N/A	267051	N/A	267051
41	1		Housing, Switch case - Non-Automatic		009454	009454	009454	009454
*	1		Rebuild Kit		156098	156098	156098	156098

Trusted. Tested. Tough.®

Product information presented here reflects conditions at time of publication. Consult factory regarding discrepancies or inconsistencies.



MAIL TO: P.O. BOX 16347 • Louisville, KY 40256-0347
 SHIP TO: 3649 Cane Run Road • Louisville, KY 40211-1961
 TEL: (502) 778-2731 • 1 (800) 928-PUMP • FAX: (502) 774-3624

Visit our website:
 zoellerpumps.com

REPLACEMENT PARTS LIST FOR MODELS:

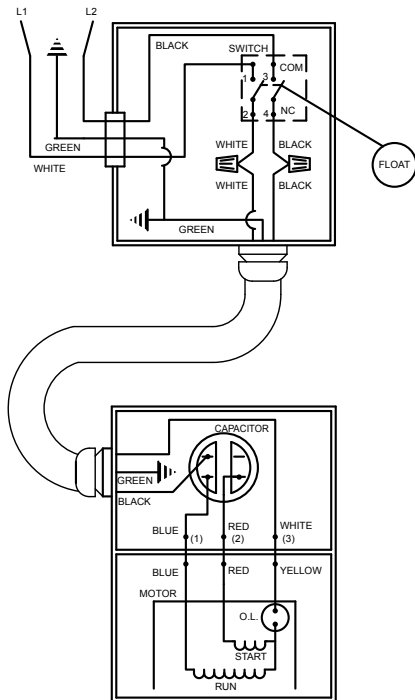
Split Phase Motor Design

M3137 AUTOMATIC 115V
 N3137 NONAUTOMATIC 115V
 D3137 AUTOMATIC 230V
 E3137 NONAUTOMATIC 230V

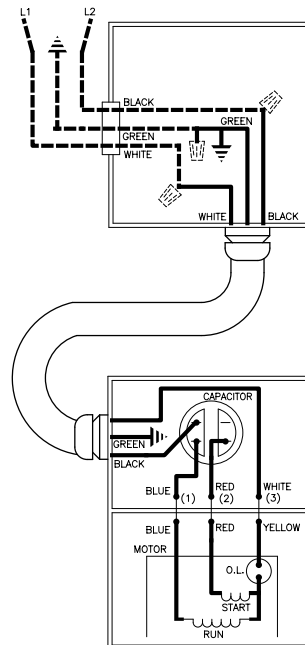
Consult factory for all other models

TO ORDER REPLACEMENT PARTS:
PLEASE FURNISH THE FOLLOWING INFORMATION:

- Model Number.
- Part Number of Pump.
 (If manufactured prior to June 1988, give 2 letter date code following Model No.)
- Part Number and Description of part.

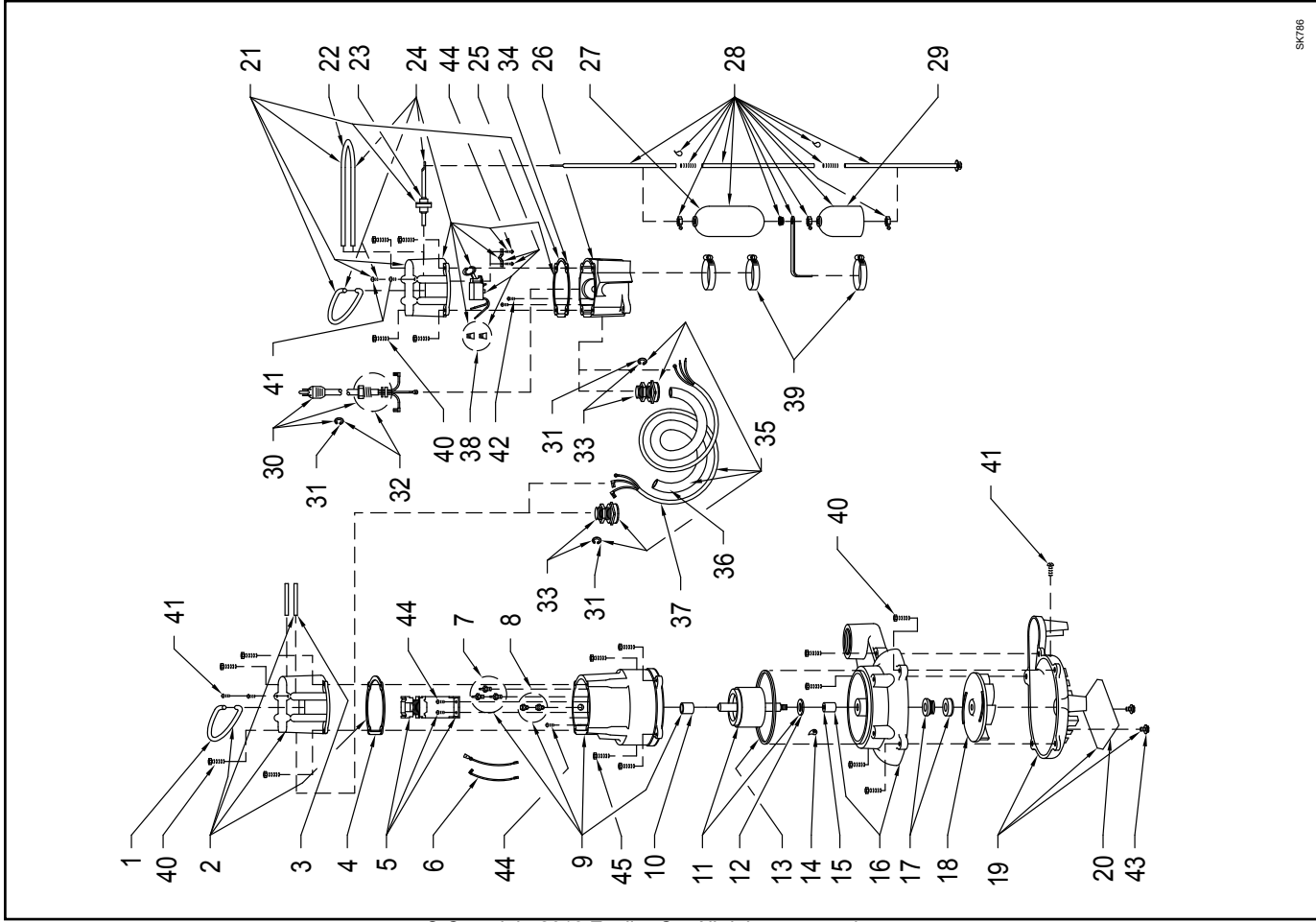


WIRING DIAGRAM FOR MODELS
 "M3137" All Revisions and "D3137" All Revisions
 10/87 (WT) to Current



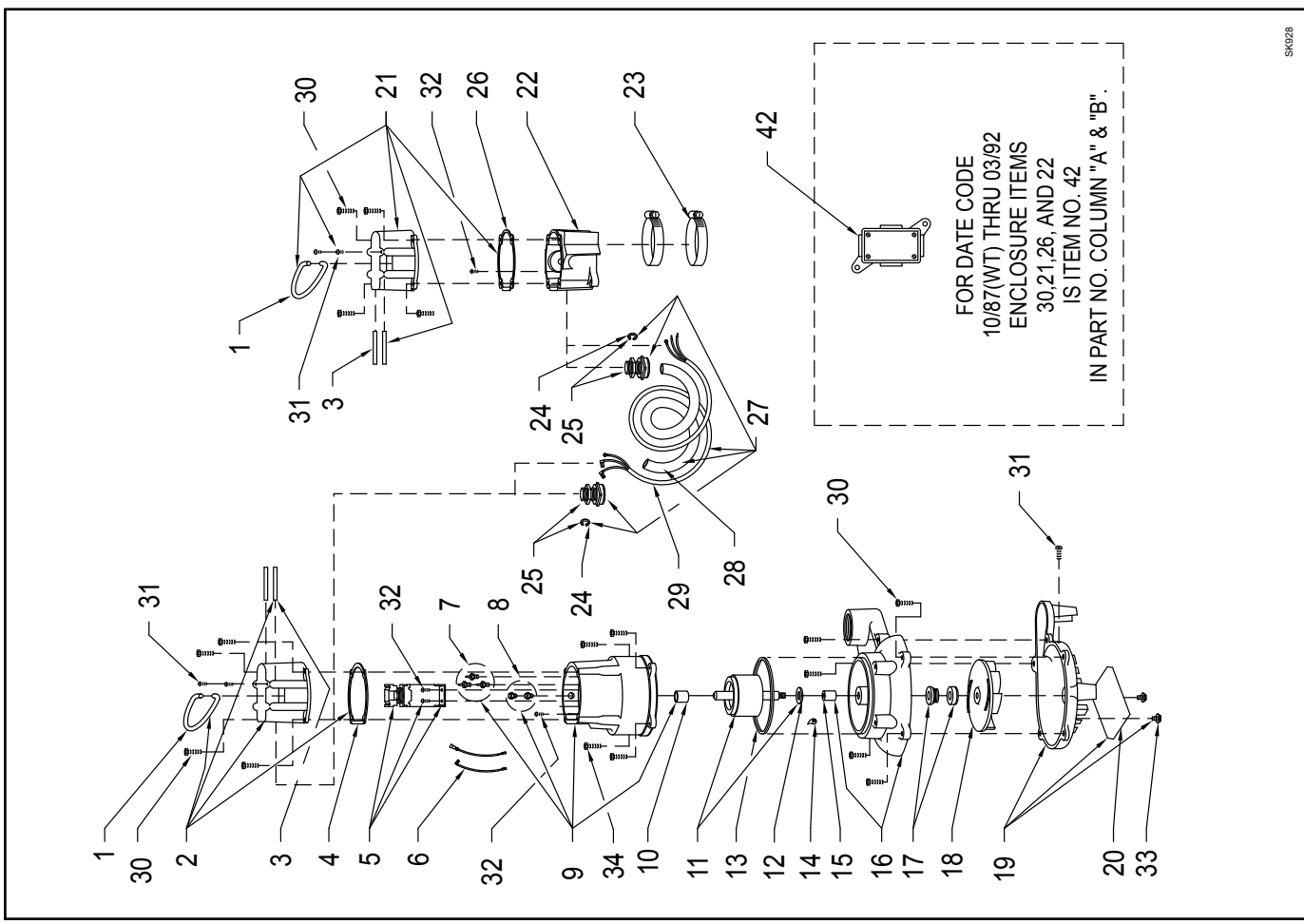
WIRING DIAGRAM FOR MODELS
 "N3137" All Revisions and "E3137" All Revisions
 10/87 (WT) thru Current

REPLACEMENT PARTS ILLUSTRATION FOR MODELS "M3137" and "D3137"



SK786

REPLACEMENT PARTS ILLUSTRATION FOR MODELS "N3137" and "E3137"



SK928



MAIL TO: P.O. BOX 16347 • Louisville, KY 40256-0347
SHIP TO: 3649 Cane Run Road • Louisville, KY 40211-1961
(502) 778-2731 • 1 (800) 928-PUMP • FAX (502) 774-3624

Visit our website:
zoellerpumps.com

Trusted. Tested. Tough.®

© Copyright 2019 Zoeller Co. All rights reserved.