

Product information presented here reflects conditions at time of publication. Consult factory regarding discrepancies or inconsistencies.



**MAIL TO:** P.O. BOX 16347 • Louisville, KY 40256-0347  
**SHIP TO:** 3649 Cane Run Road • Louisville, KY 40211-1961  
**TEL:** (502) 778-2731 • 1 (800) 928-PUMP • **FAX:** (502) 774-3624

**Visit our web site:**  
**zoellerpumps.com**

## REPLACEMENT PARTS LIST FOR MODELS:

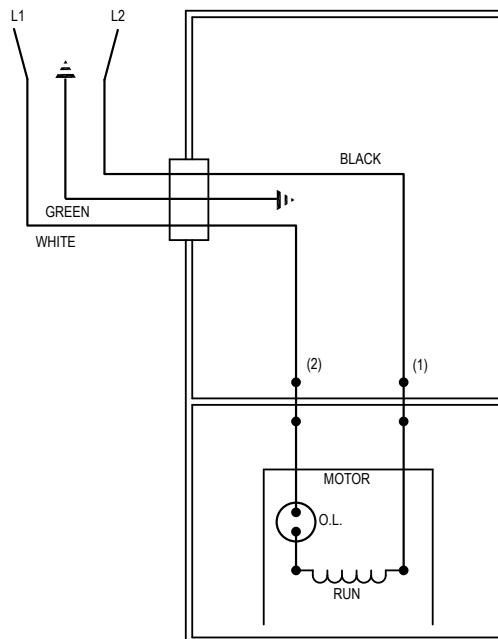
**BN2057 NONAUTOMATIC W/PIGGYBACK FLOAT SWITCH 115V**  
**BE2057 NONAUTOMATIC W/PIGGYBACK FLOAT SWITCH 230V**

Consult factory for all other models

### **TO ORDER REPLACEMENT PARTS:**

#### **PLEASE FURNISH THE FOLLOWING INFORMATION:**

- Model Number.
- Part Number of Pump.
- Part Number and Description of part.



002392A

WIRING DIAGRAM FOR MODELS  
"BN2057-A" and "BE2057-A"  
02/01 thru Current

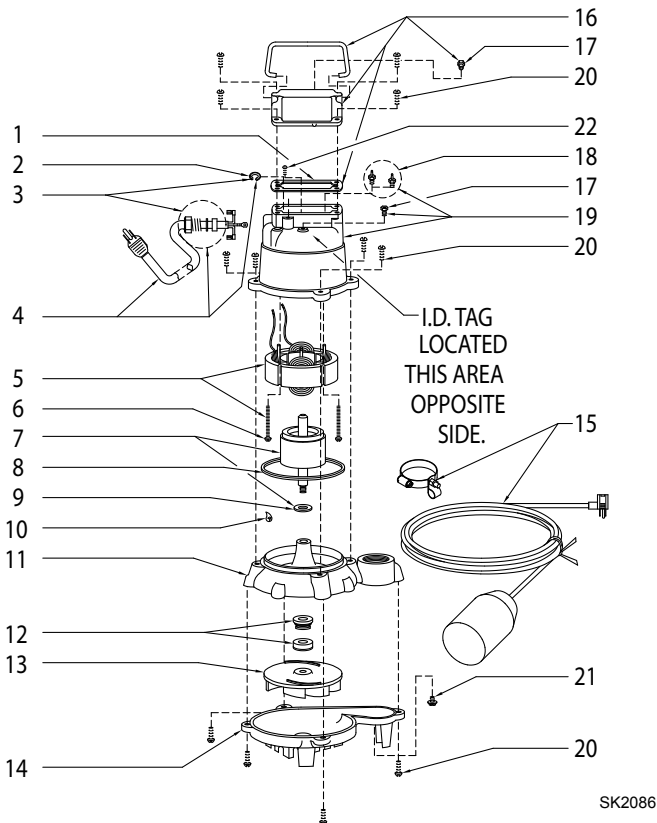
# REPLACEMENT PARTS LIST FOR MODELS "BN2057" and "BE2057"

MODELS:				BN2057-A					BE2057-A				
REF. NO.	DESCRIPTION	QTY	NOTES	02/01 thru PRESENT					02/01 thru PRESENT				
1	•Gasket, Cover	1		034046					034046				
2	•Clamp, Strain Relief	1	1	001770					001770				
3	•Seal, Cord-Asm	1	1	014043					014043				
4	Cord Term & Seal	1	1	014044					014045				
5	Stator w/screw GE	1		014048					014049				
6	•Stator Screw	2		001914					001914				
7	Rotor Asm GE	1	2	054032					054032				
8	•Seal, Mtr Hsg	1		034007					034007				
9	•Washer, Trst-Nyl. 875X.504X.050"	1		002140					002140				
10	•Oil, Dielectric (Hi-temp)	1		014057					014057				
11	Housing , Pump-Mach	1		057018					057018				
12	•Seal, Shaft-Asm	1		005095					005095				
13	Impeller	1		057010					057010				
14	Base	1		057029					057029				
15	Float Switch	1		014773					014774				
16	Cover & Handle	1		155486					155486				
17	•Plug, Test	2		155485					155485				
18	•Seal-thru wall term	2		003402					003402				
19	Housing, Mtr- term & seal	1		014056					014056				
20	•Screm, #10-24	12		001885					001885				
21	•Sem-Scr	1		002000					002000				
22	•Screm, Ground #6-32	1		001877					001877				
☐	Rebuild Kit	1		014058					014058				

• Items included in Rebuild Kit.

☐ Not Shown in Illustration.

Not sold separately.



## NOTES:

1. Strain Relief ( Items 2) can be purchased separately, but is included with Cord, terminal & Seal assembly ( Item 4) and Sea,Cord Assembly ( Item 3) .
2. See FM0160 Parts Price Sheet for listing of parts prices.
3. "NA" indicates, not applicable.
4. If an "X" follows Models No., or Date Mfg. on brass ID tag, consult factory for ordering any parts.



MAIL TO: P.O. BOX 16347 • Louisville, KY 40256-0347  
 SHIP TO: 3649 Cane Run Road • Louisville, KY 40211-1961  
 (502) 778-2731 • 1 (800) 928-PUMP • FAX (502) 774-3624

Visit our web site:  
[zoellerpumps.com](http://zoellerpumps.com)

Trusted. Tested. Tough.™

© Copyright 2018 Zoeller® Co. All rights reserved.