

Product information presented here reflects conditions at time of publication. Consult factory regarding discrepancies or inconsistencies.



MAIL TO: P.O. BOX 16347 • Louisville, KY 40256-0347  
SHIP TO: 3649 Cane Run Road • Louisville, KY 40211-1961  
TEL: (502) 778-2731 • 1 (800) 928-PUMP • FAX: (502) 774-3624

Visit our web site:  
[zoellerpumps.com](http://zoellerpumps.com)

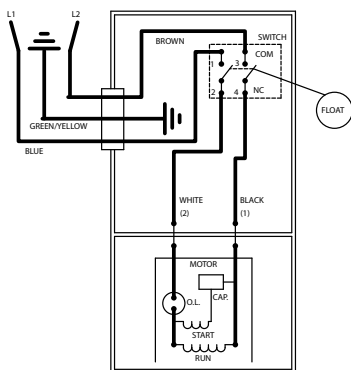
## REPLACEMENT PARTS LIST FOR MODELS:

**M264 AUTOMATIC 115V**  
**N264 NONAUTOMATIC 115V**  
**WM264 AUTOMATIC w/wired float switch 115V**  
**D264 AUTOMATIC 230V**  
**E264 NONAUTOMATIC 230V**

### TO ORDER REPLACEMENT PARTS:

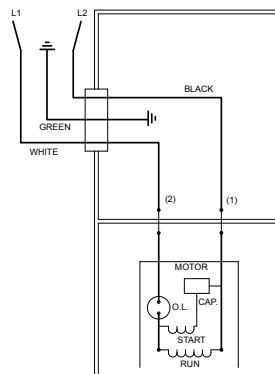
#### PLEASE FURNISH THE FOLLOWING INFORMATION:

- Model Number.
- Part Number of Pump.
- Part Number and Description of part.



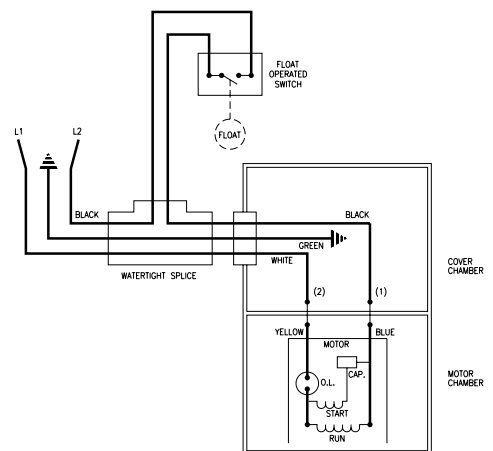
009060B

WIRING DIAGRAM FOR MODELS  
"M264-A" and "D264-A"  
6/96 thru Current



009059B

WIRING DIAGRAM FOR MODELS  
"N264-A" and "E264-A"  
6/96 thru Current



010908B

WIRING DIAGRAM FOR MODEL  
"WM264-A"  
6/96 thru Current

REPLACEMENT PARTS LIST FOR MODELS "M264" and "D264".

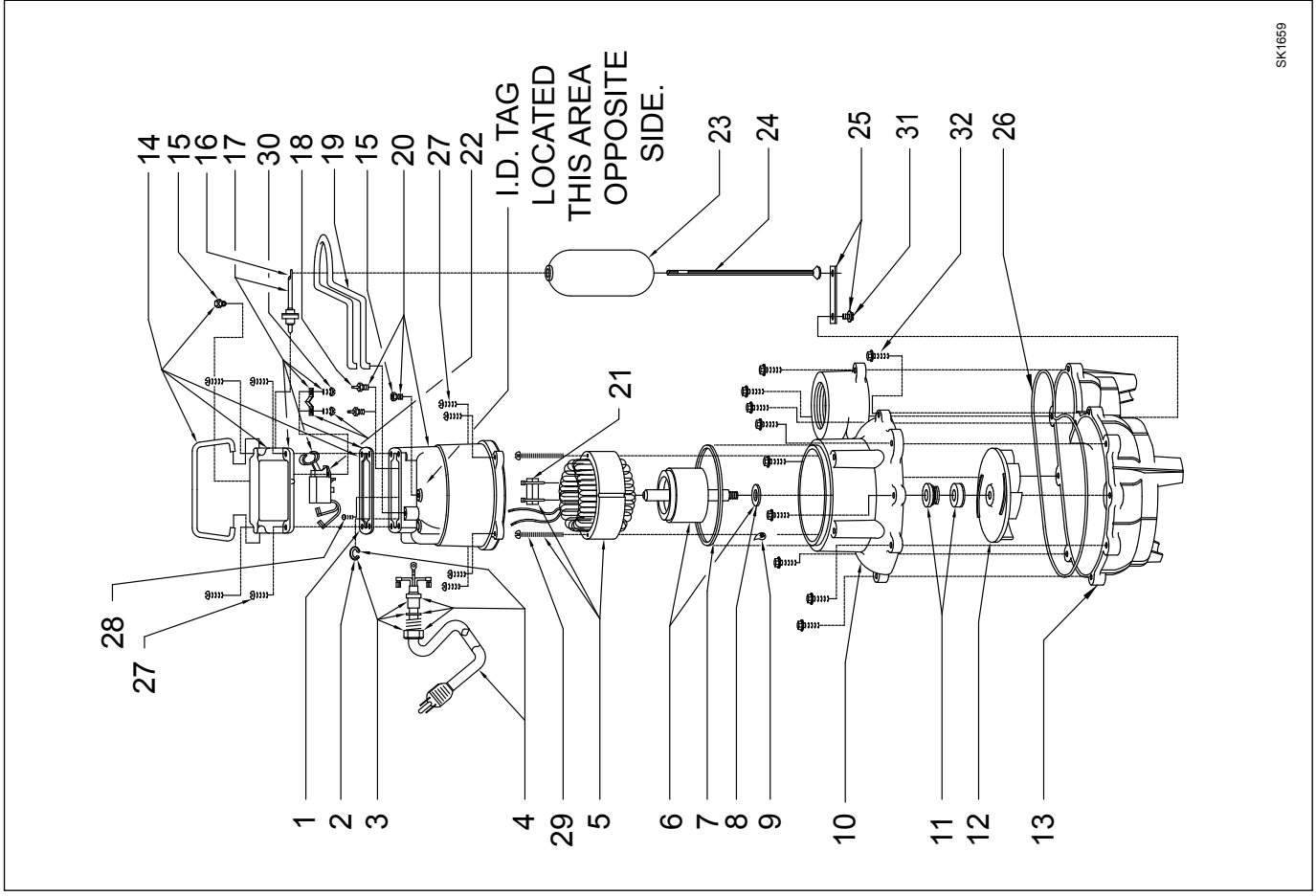
REF. NO.	DESCRIPTION	MODELS: M264-A		M264-B		D264-A		D264-B	
		QTY	NOTES	6/96 thru 7/09	8/09 Current	6/96 thru 7/09	8/09 Current	6/96 thru 7/09	8/09 Current
1	GASKET, CASE/COVER	1		034046	034046	034046	034046	034046	034046
2	CLAMP, STRAIN RELIEF	1		004200	N/A	004200	N/A	004200	N/A
3	SEAL,CORD-ASM "264"	1	1	006923	006923	006923	006923	006923	006923
4	CORD TERM & SEAL	1	1	010925	010925	010926	010926	010926	010926
5	STATOR W/SCREWS 115V/1PH (HPIC or TPIC)	3		012084	012084	N/A	N/A	N/A	N/A
	STATOR W/SCREWS 230V/1PH (TPIC)	1		010271	010271	N/A	N/A	N/A	N/A
	STATOR W/SCREWS 115V/1PH (GE)	3		N/A	N/A	010272	010272	010272	010272
6	ROTOR ASM 115V/230V 1PH (HPIC or TPIC)	1		012085	012085	012085	012085	012085	012085
7	ROTOR ASM 115V/230V 1PH (GE)	1		010270	010270	010270	010270	010270	010270
8	SEAL,MTR HSG	1		034007	034007	034007	034007	034007	034007
9	WASHER,TRST-NYL .875X.504	1		002140	002140	002140	002140	002140	002140
10	OIL DIELECTRIC-(30.5 OZ)	1		007051	007051	007051	007051	007051	007051
11	HOUSING,PUMP-MACH "264"	1		010718	010718	010718	010718	010718	010718
12	SEAL ASM;SHAFT-BLISTER PK	1		267027	267027	267027	267027	267027	267027
13	IMPELLER	1		002570	002570	002570	002570	002570	002570
14	BASE, PLASTIC	1		005199	005199	005199	005199	005199	005199
15	CASE HANDLE & ARM	1		011494	011494	011494	011494	011494	011494
16	PLUG, TEST-WHITE	2		034090	034090	034090	034090	034090	034090
17	ARM & SEAL ASM	1		011509	011509	011509	011509	011509	011509
18	CASE & SWITCH	1		011511	011511	011511	011511	011511	011511
19	SEAL THRU WALL TERM	2		003402	003402	003402	003402	003402	003402
20	GUARD	1		010717	010717	010717	010717	010717	010717
21	HOUSING,MTR	1		004712	004712	004712	004712	004712	004712
22	CAPACITOR	1		007642	007642	007642	007642	007642	007642
23	SWITCH ASM	1		004705	004705	004705	004705	004705	004705
24	FLOAT-POLYPROPYLENE	1		034019	034019	034019	034019	034019	034019
25	ROD,FLOAT-MOLDED	1		010935	010935	010935	010935	010935	010935
26	GUIDE ASM,FLT ROD	1		005477	005477	005477	005477	005477	005477
27	O-RING	1		005701	005701	005701	005701	005701	005701
28	SCREW,#10-24 X.75 RHM-SL	8		001885	001885	001885	001885	001885	001885
29	SCREW,#6-32X.25 RHM SL TC	1		001877	001877	001877	001877	001877	001877
30	SCREW,#8-32 X 2.563 RHPL	2		001914	001914	001914	001914	001914	150099
31	SCREW,#6-32X.43RHALTP-1"	2		004644	004644	004644	004644	004644	004644
32	SEM.10-12X.5HA-SL SHMT	1		003229	003229	003229	003229	003229	003229
33	SCREW,#10-10X1-UNSLTD HE	10		005326	005326	005326	005326	005326	005326
34	REBUILD KIT "264"	1		011515	011515	011515	011515	011515	011515

\* Items included in Rebuild Kit. □ Not Shown in Illustration.

NOTES:

- 1) If an "X" follows Model No., of Date Mfg. on brass ID tag, consult factory for ordering of this part.
- 2) See FM0160 Parts Price Sheet for listing of parts prices.
- 3) Kits are supplied with two different size screws for mounting stators. During assembly verify length and ensure the screws are seated properly.

REPLACEMENT PARTS ILLUSTRATION FOR MODELS "M264" and "D264"



**REPLACEMENT PARTS LIST FOR MODELS "N264" and "E264".**

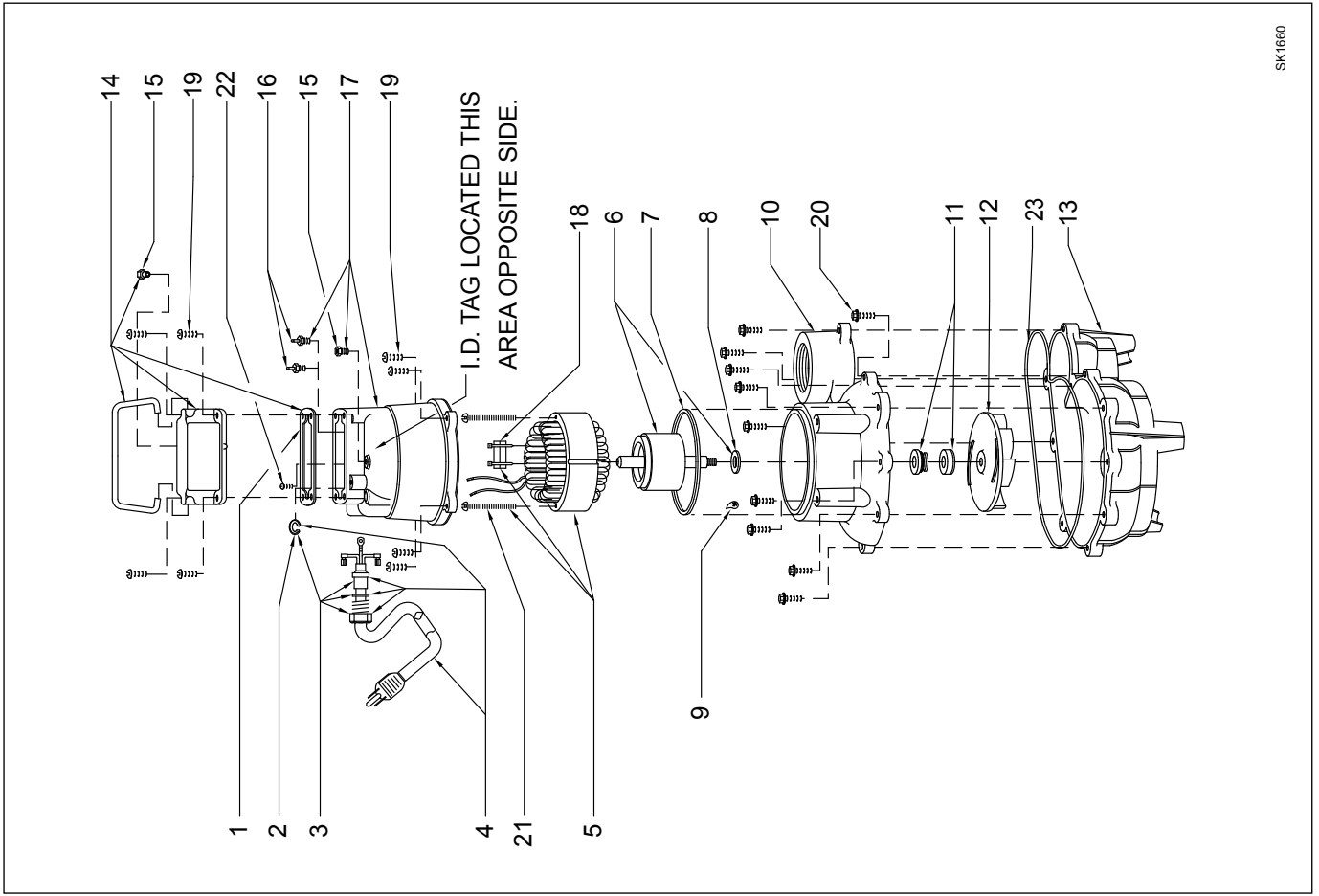
REF. NO.	DESCRIPTION	MODELS: N264-A		MODELS: N264-B		MODELS: E264-A		MODELS: E264-B	
		QTY	NOTES	6/96 thru 7/09	8/09 thru Current	6/96 thru 7/09	8/09 thru Current	6/96 thru 7/09	8/09 thru Current
1	GASKET, CASE/COVER	1		034046	034046	034046	034046	034046	034046
2	CLAMP, STRAIN RELIEF	1		004200	N/A	004200	N/A	004200	N/A
3	SEAL, CORD-ASM "264"	1	1	006923	006923	006923	006923	006923	006923
4	CORD TERM & SEAL 15'	1	1	010927	010927	010928	010928	010928	010928
5	STATOR W/SCREWS 115V/1PH (HPIC OR TPIC)	1	3	012084	012084	N/A	012084	N/A	012084
	018593			018593	N/A	018593	018593	018593	
	010271			010271	N/A	010271	010271	010271	
6	STATOR W/SCREWS 230V/1PH (GE)	1	3	N/A	N/A	010272	010272	010272	010272
	012085			012085	012085	012085	012085	012085	
7	ROTOR ASM 115/230V 1PH (HPIC OR TPIC)	1		010270	010270	010270	010270	010270	010270
	034007			034007	034007	034007	034007	034007	
8	SEAL, MTR. HSG	1		002140	002140	002140	002140	002140	
9	WASHER, TRST-NYL .875X.504	1		007051	007051	007051	007051	007051	
10	OIL DIELECTRIC-(30.5 OZ)	1		010718	010718	010718	010718	010718	
11	HOUSING,PUMP-MACH "264"	1		267027	267027	267027	267027	267027	
12	SEAL,ASM,SHAFT-BLISTER PK	1		002570	002570	002570	002570	002570	
13	IMPELLER	1		005199	005199	005199	005199	005199	
14	BASE, PLASTIC	1		002580	002580	002580	002580	002580	
15	COVER, HANDLE	1		034090	034090	034090	034090	034090	
16	PLUG,TEST-WHITE	2		003402	003402	003402	003402	003402	
17	SEAL THRU WALL TERM	2		004712	004712	004712	004712	004712	
18	HOUSING,MTR	1		007642	007642	007642	007642	007642	
19	CAPACITOR	1		001885	001885	001885	001885	001885	
20	SCREW,#10-24 X.75 RHM-SL	8		005326	005326	005326	005326	005326	
21	SCREW,#10-10X1-UNSLTD HE	10		001914	150099	001914	150099	001914	
22	SCREW,#8-32 X 2.563 RHPL	2		001877	001877	001877	001877	001877	
23	SCREW,#6-32X.25 RHM SL TC	1		005701	005701	005701	005701	005701	
24	O-RING	1		011515	011515	011515	011515	011515	
25	REBUILD KIT "264"	1							

▪ Items included in Rebuild Kit.      ▪ Not Shown in Illustration.

**NOTES:**

- 1) If an "X" follows Model No., of Date Mfg. on brass ID tag, consult factory for ordering of this part.
- 2) See FM0160 Parts Price Sheet for listing of parts prices.
- 3) Kits are supplied with two different size screws for mounting stators. During assembly verify length and ensure the screws are seated properly.

**REPLACEMENT PARTS ILLUSTRATION FOR MODELS "N264" and "E264"**



REPLACEMENT PARTS LIST FOR MODELS "WM264"

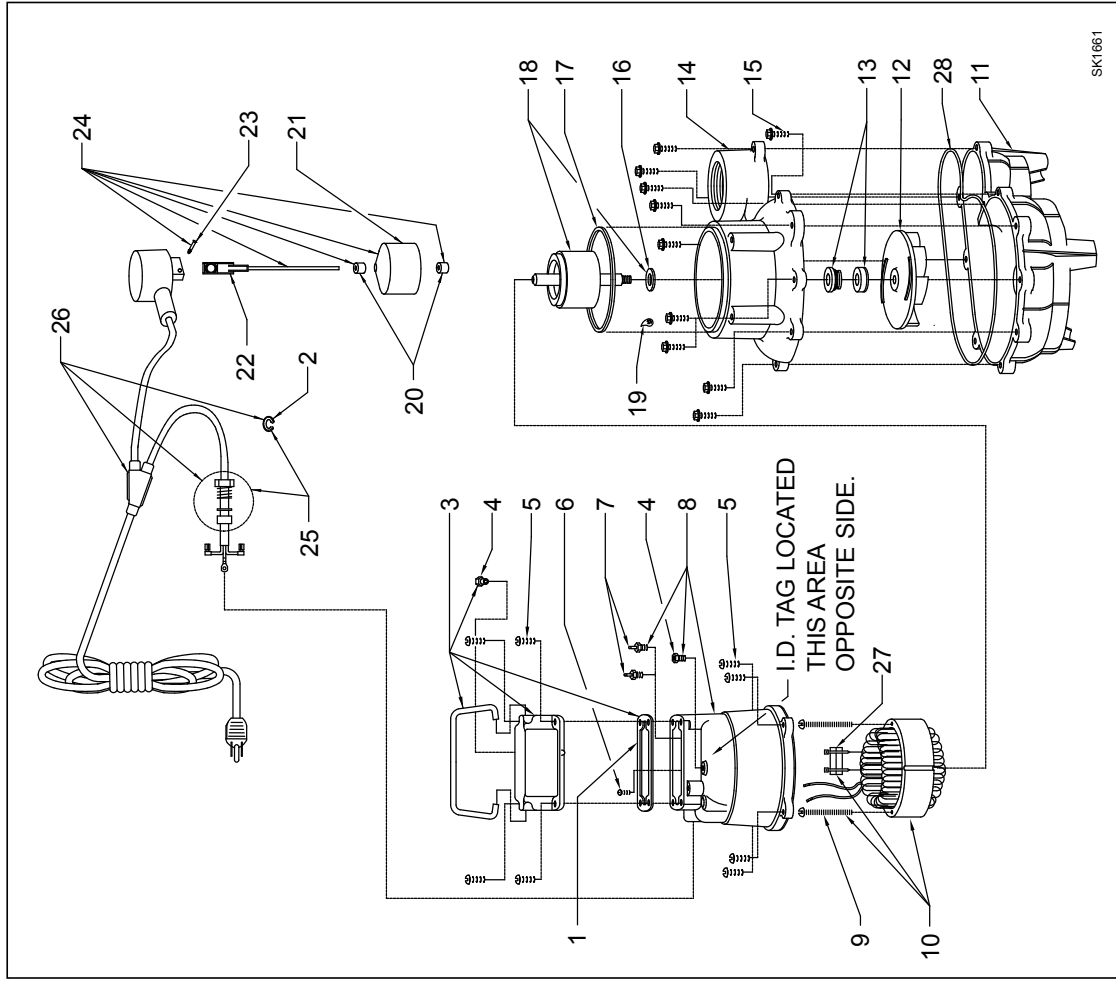
REF. NO.	DESCRIPTION	MODELS: WM264-A		QTY	NOTES	WM264-B	
		6/96 thru 7/09	9/08 thru Current				
1	GASKET, CASE/COVER	034046	034046	1			
2	CLAMP, STRAIN RELIEF	001770	N/A	1			
3	COVER & HANDLE	002580	002580	1			
4	PLUG, TEST-WHITE	034090	034090	1			
5	SCREW,#10-24 X.75 RHM-SL	001885	001885	8			
6	SCREW,#6-32X.25 RHM SL TC	001877	001877	1			
7	SEAL, THRU WALL TERM'R	003402	003402	2			
8	HOUSING,MTR-& TERM,ASM.	004712	004712	1			
9	SCREW,#8-32 X 2.563 RHPL	001914	150099	2	3		
10	STATOR W/SCREWS 115V/1PH (HPIC OR TPIC)	012084	012084	1	3		
11	STATOR W/SCREWS 115V/1PH (GE)	010271	010271	1	3		
12	BASE,PLASTIC	005199	005199	1			
13	IMPELLER	002570	002570	1			
14	SEAL,ASM,SHAFT-BLISTER PK	267027	267027	1			
15	HOUSING,PUMP-MACH "264"	010718	010718	1			
16	SCREW,#10-10X1-UNSLTD HE	005326	005326	10			
17	WASHER,TRST-NYL .875X.504	002140	002140	1			
18	SEAL,MTR HSG	034007	034007	1			
19	ROTOR ASM 115V 1PH (HPIC OR TPIC)	012085	012085	1			
20	ROTOR ASM 115/230V 1PH (GE)	010270	010270	1			
21	OIL,DIELECTRIC-(30.5 OZ)	007051	007051	1			
22	FLOAT ROD STOP-MECH SWIT	009120	009120	2			
23	FLOAT,MECH SWITCH	009119	009119	1			
24	ROD,FLOAT-VERT SWITCH	010499	010499	1			
25	FLOAT ROD RETAINING PIN	009121	009121	1			
26	HARDWARE PACK, VERT SW	010532	010532	1			
27	SEAL,CORD-ASM "WM264/1264"	011562	011562	1			
28	SWITCH & CORD,SEAL,ASM WM264	011563	011563	1			
29	CAPACITOR	007642	007642	1			
30	O-RING	005701	005701	1			
31	REBUILD KIT "WM264/WM1264"	011514	011514	1			

• Items included in Rebuild Kit. □ Not Shown in Illustration.

NOTES:

- 1) If an "X" follows Model No., of Date Mfg. on brass ID tag, consult factory for ordering of this part.
- 2) See FM0160 Parts Price Sheet for listing of parts prices.
- 3) Kits are supplied with two different size screws for mounting stators. During assembly verify length and ensure the screws are seated properly.

REPLACEMENT PARTS ILLUSTRATION FOR MODEL "WM264"



SKI1861