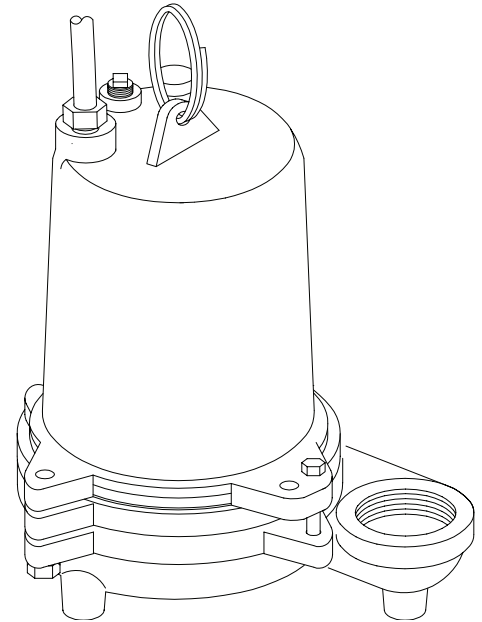


## Submersible Effluent Pumps

### Specifications:

<b>DISCHARGE</b> .....	2" NPT, Female, Vertical
<b>LIQUID TEMPERATURE</b>	
BP314 .....	77°F (25°C) Continuous
BP324 .....	104°F (40°C) Continuous
<b>VOLUTE</b> .....	(BP) Cast Iron, (BP-BR) Bronze
<b>MOTOR HOUSING</b> .....	(BP) Cast Iron, (BP-BR) Bronze
<b>SEAL PLATE</b> .....	(BP) Cast Iron, (BP-BR) Bronze
<b>IMPELLER: Design</b> .....	2 Vane open, Dynamically Balanced, ISO G6.3
Material .....	(BP) Polypropylene with stainless insert (BP-BR) Bronze 81-3-7-9
<b>SHAFT</b> .....	416 Stainless Steel
<b>SQUARE RINGS</b> .....	Buna-N
<b>HARDWARE</b> .....	300 Series Stainless Steel
<b>PAINT</b> .....	Air Dry Enamel
<b>SEAL: Design</b> .....	Single Mechanical, Oil-Filled Reservoir, Secondary Exclusion Seal
Material .....	Carbon/Ceramic/Buna-N
<b>CORD ENTRY</b> .....	15 ft. (5m) Quick Disconnect Cord with Plug On 115 volt, Pressure Grommet for sealing and strain relief
<b>UPPER BEARING</b> .....	Single Row, Ball, Oil Lubricated
<b>LOWER BEARING</b> .....	Single Row, Ball, Oil Lubricated
<b>MOTOR, SINGLE PHASE</b> .....	Permanent Split Capacitor (PSC). Oil Filled. Includes Overload Protection in Motor
Insulation .....	Class B
<b>LEVEL CONTROLS</b> .....	"A" - Wide Angle, PVC, Mechanical, 15 ft (5m) cord with Piggy-Back Plug, N/O "AU" - Wide Angle, Polypropylene, Mechanical, N/O, Integral to pump. ON and OFF points are adjustable "VF" - Vertical Float, PVC, Snap Action, 15 ft (5m) cord, with Piggy-Back plug. OFF point ONLY is adjustable
<b>OPTIONAL EQUIPMENT</b> .....	Seal Material, Additional Cable, Bronze Impeller
<b>RECOMMENDED:</b>	
Accessories .....	Break Away Fitting (BAF) Check Valve Control Panel
Seal Kit PN .....	085202
Service Kit PN .....	085201



### Series: BP314 & BP324 1/3HP, 1750RPM, 60Hz



### DESCRIPTION:

PUMP IS DESIGNED FOR HANDLING SEWAGE EFFLUENT IN TYPICAL SEPTIC TANK/EFFLUENT APPLICATIONS.

# Series BP

3/4" Spherical Solids Handling  
Manual & Automatic, Cast Iron & Bronze

# BARNES®

www.cranepumps.com

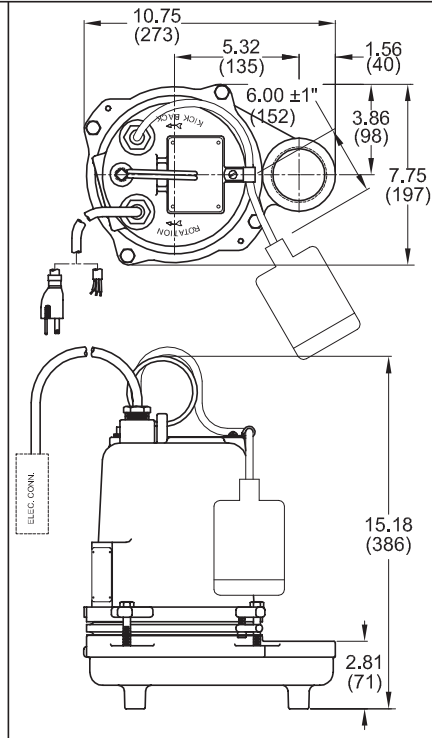
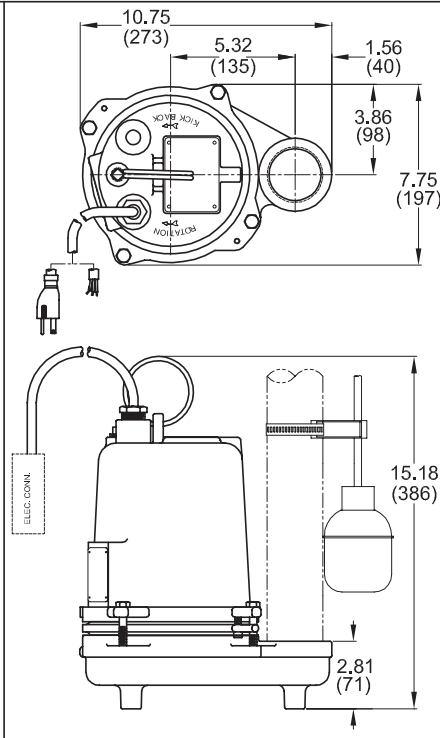
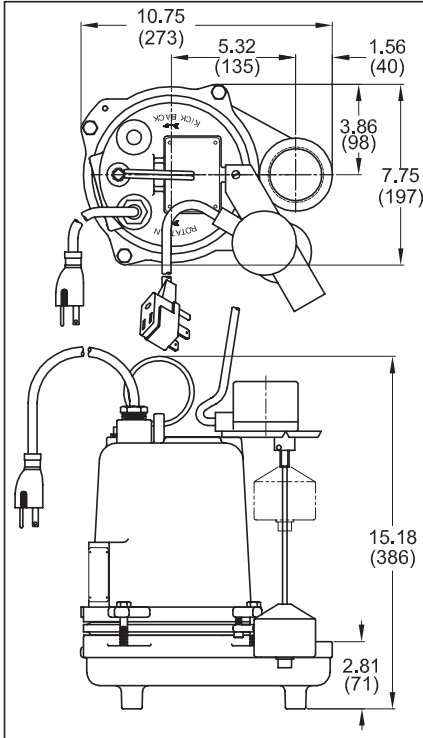
## Submersible Effluent Pumps

BP314VF, BP314VFBR

BP314A, BP314ABR,  
BP314. BP314BR, BP324, BP324BR (Less Float)

BP314AU, BP314AUBR  
BP324AU, BP324AUBR

inches  
(mm)



MODEL NO	PART NO	HP	VOLT/PH	Hz	RPM (Nom)	NEMA START CODE	FULL LOAD AMPS	LOCKED ROTOR AMPS	CORD SIZE	CORD TYPE	CORD O.D inch (mm)
BP314	096727	1/3	115/1	60	1750	A	8.0	19.0	14/3	SJTOW	0.375 (9.5)
BP314A	096728	1/3	115/1	60	1750	A	8.0	19.0	14/3	SJTOW	0.375 (9.5)
BP314AU	096729	1/3	115/1	60	1750	A	8.0	19.0	14/3	SJTOW	0.375 (9.5)
BP314VF	100834	1/3	115/1	60	1750	A	8.0	19.0	14/3	SJTOW	0.375 (9.5)
BP314BR	096732	1/3	115/1	60	1750	A	8.0	19.0	14/3	SJTOW	0.375 (9.5)
BP314ABR	096733	1/3	115/1	60	1750	A	8.0	19.0	14/3	SJTOW	0.375 (9.5)
BP314AUBR	096734	1/3	115/1	60	1750	A	8.0	19.0	14/3	SJTOW	0.375 (9.5)
BP314VFBR	100835	1/3	115/1	60	1750	A	8.0	19.0	14/3	SJTOW	0.375 (9.5)
BP324	096730	1/3	230/1	60	1750	A	4.0	13.0	14/3	SJTOW	0.375 (9.5)
BP324AU	096731	1/3	230/1	60	1750	A	4.0	13.0	14/3	SJTOW	0.375 (9.5)
BP324BR	096735	1/3	230/1	60	1750	A	4.0	13.0	14/3	SJTOW	0.375 (9.5)
BP324AUBR	096736	1/3	230/1	60	1750	A	4.0	13.0	14/3	SJTOW	0.375 (9.5)

Mechanical Switch on BP-A, cord 16/2, SJOW, Piggy-Back Plug.

Mechanical Switch on BP-AU, cord 14/2, SJOW

Vertical Switch on BP-VF, cord 16/2, SJOW, Piggy-Back Plug

### IMPORTANT !

- 1.) PUMP MAY BE OPERATED "DRY" FOR EXTENDED PERIODS WITHOUT DAMAGE TO MOTOR AND/OR SEALS.
- 2.) THIS PUMP IS NOT APPROPRIATE FOR THOSE APPLICATIONS SPECIFIED AS CLASS I DIVISION I HAZARDOUS LOCATIONS.
- 3.) INSTALLATIONS SUCH AS DECORATIVE FOUNTAINS OR WATER FEATURES PROVIDED FOR VISUAL ENJOYMENT MUST BE INSTALLED IN ACCORDANCE WITH THE NATIONAL ELECTRIC CODE ANSI/NFPA 70 AND/OR THE AUTHORITY HAVING JURISDICTION. THIS PUMP IS NOT INTENDED FOR USE IN SWIMMING POOLS, RECREATIONAL WATER PARKS, OR INSTALLATIONS IN WHICH HUMAN CONTACT WITH PUMPED MEDIA IS A COMMON OCCURRENCE.

SECTION 3A  
PAGE 20  
DATE 6/13

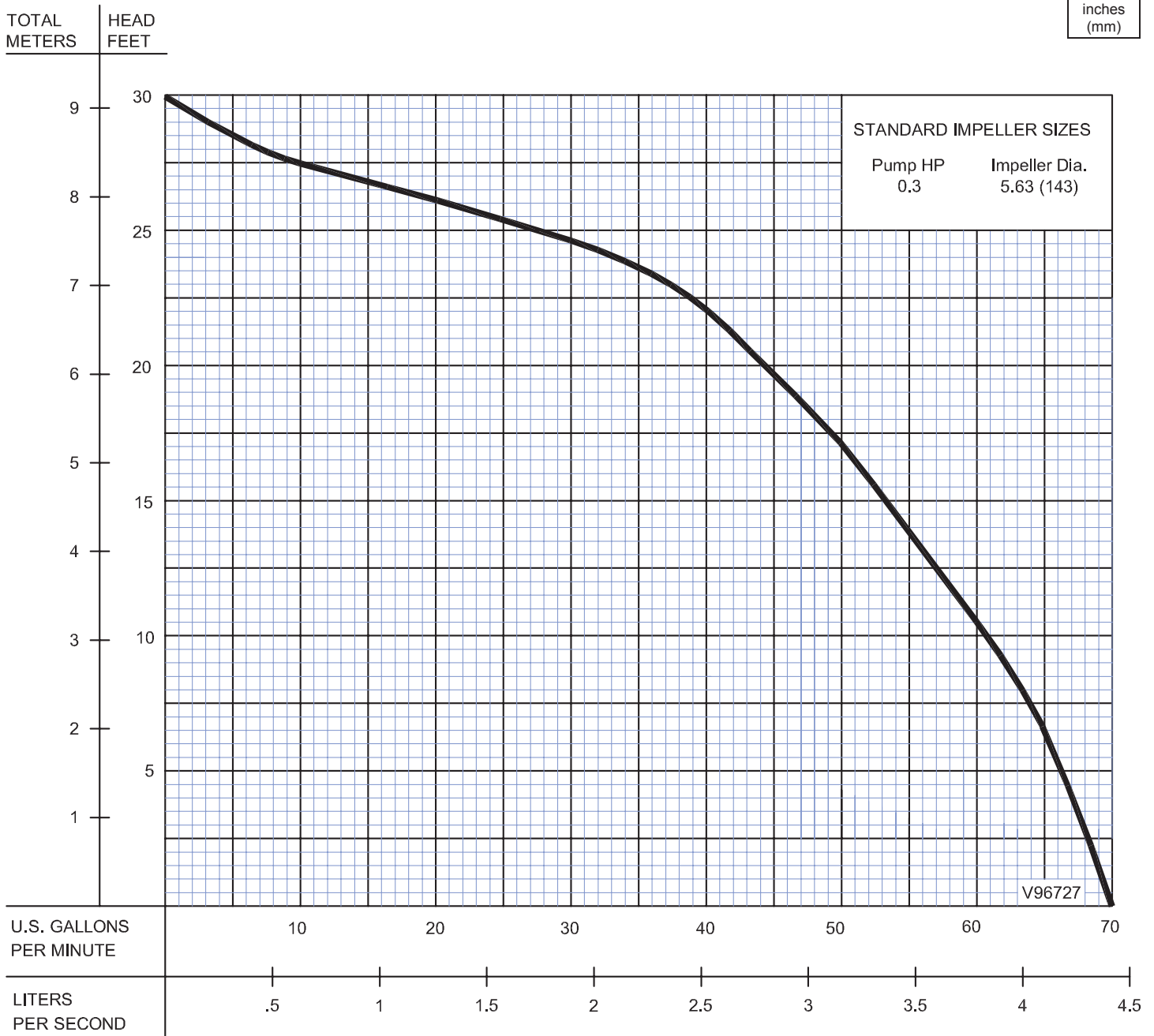
**CRANE**  
®

A Crane Co. Company

PUMPS & SYSTEMS

USA: (937) 778-8947 • Canada: (905) 457-6223 • International: (937) 615-3598

### Submersible Effluent Pumps



Testing is performed with water, specific gravity 1.0 @ 68° F @ (20°C), other fluids may vary performance